



US007556242B2

(12) **United States Patent**
Alberson et al.

(10) **Patent No.:** **US 7,556,242 B2**
(45) **Date of Patent:** ***Jul. 7, 2009**

(54) **CABLE GUARDRAIL RELEASE SYSTEM**
(75) Inventors: **Dean C. Alberson**, Bryan, TX (US);
Roger P. Bligh, Bryan, TX (US); **D.**
Lance Bullard, Jr., College Station, TX
(US); **C. Eugene Buth**, Wellborn, TX
(US)

(73) Assignee: **The Texas A&M University Systems**,
College Station, TX (US)

(*) Notice: Subject to any disclaimer, the term of this
patent is extended or adjusted under 35
U.S.C. 154(b) by 0 days.

This patent is subject to a terminal dis-
claimer.

(21) Appl. No.: **11/209,470**

(22) Filed: **Aug. 23, 2005**

(65) **Prior Publication Data**
US 2006/0017048 A1 Jan. 26, 2006

Related U.S. Application Data
(63) Continuation of application No. 10/355,601, filed on
Jan. 30, 2003, now Pat. No. 6,932,327.
(60) Provisional application No. 60/353,000, filed on Jan.
30, 2002, provisional application No. 60/380,632,
filed on May 15, 2002.

(51) **Int. Cl.**
E04F 11/00 (2006.01)
(52) **U.S. Cl.** **256/13.1; 404/8**
(58) **Field of Classification Search** **256/13.1,**
256/4, 6, 8, 1, 504; 439/504; 404/6, 4, 8
See application file for complete search history.

(56) **References Cited**
U.S. PATENT DOCUMENTS
79,141 A 6/1868 McFarlin

(Continued)
FOREIGN PATENT DOCUMENTS
AU 278890 2/1970

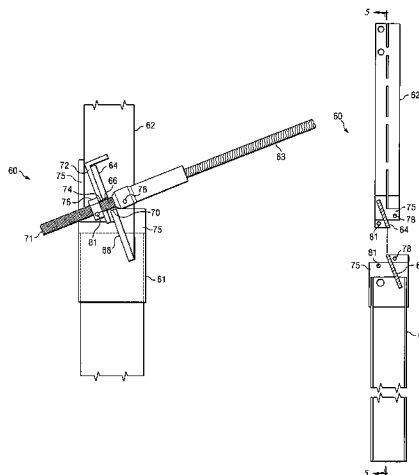
(Continued)
OTHER PUBLICATIONS
"Recommended Procedures for the Safety Performance Evaluation
of Highway Features", NCHRP Report 350, National Cooperative
Highway Research Program, Transportation Research Board.

(Continued)
Primary Examiner—Daniel P Stodola
Assistant Examiner—Nahid Amiri
(74) *Attorney, Agent, or Firm*—Baker Botts L.L.P.

(57) **ABSTRACT**

A cable guardrail release system includes a first number of
anchor posts installed adjacent a roadway. Each of the first
number of anchor posts secures an end of a respective cable.
Each anchor post is operable to release the respective cable
secured by the anchor post upon a vehicle impact to the
anchor post. The system may include a length of need section
that includes a plurality of intermediate support posts each
configured to support each of the respective cables. The
length of need section may include portions of each of the
respective cables running in between the plurality of interme-
diate support posts. Each anchor post may be configured to
resist release of the respective cable secured by the anchor
post upon a vehicle impact to the length of need section
generally at an angle to the flow of traffic on the roadway.

20 Claims, 5 Drawing Sheets



U.S. PATENT DOCUMENTS

398,078 A	2/1889	Peterson	4,645,375 A	2/1987	Carney, III	404/6
446,852 A	2/1891	Davis	4,646,489 A	3/1987	Feller et al.	52/165
629,185 A	7/1899	Arnold	4,655,434 A	4/1987	Bronstad	256/13.1
1,329,492 A	2/1920	Babcock	4,674,911 A	6/1987	Gertz	404/6
1,335,302 A	3/1920	Stout	4,678,166 A	7/1987	Bronstad et al.	256/13.1
1,473,118 A	11/1923	Miller-Masury	4,729,690 A	3/1988	Lavender et al.	404/10
1,677,796 A	7/1928	Parks	4,784,515 A	11/1988	Krage et al.	404/6
2,089,929 A	8/1937	Brickman et al.	4,815,565 A	3/1989	Sicking et al.	188/32
2,091,195 A	8/1937	Dennebaum	4,819,915 A	4/1989	Cargnel	256/12.5
2,123,167 A	7/1938	Cain	4,838,523 A	6/1989	Humble et al.	256/13.1
2,135,705 A	11/1938	Florance	4,852,847 A	8/1989	Pagel	248/548
2,146,333 A	2/1939	Deming	4,923,319 A	5/1990	Dent	403/2
2,146,445 A	2/1939	Russert et al.	4,926,592 A	5/1990	Nehls	52/98
RE22,060 E	4/1942	Hayden et al.	4,928,446 A	5/1990	Alexander, Sr.	52/98
2,309,238 A	1/1943	Corey	4,928,928 A	5/1990	Buth et al.	256/13.1
2,321,988 A	6/1943	Brickman	4,986,687 A	1/1991	Ivey	403/2
2,735,251 A	2/1956	Dlugosch	5,011,326 A	4/1991	Carney, III	404/6
2,776,116 A	1/1957	Brickman	5,022,782 A	6/1991	Gertz et al.	404/6
3,185,445 A	5/1965	Broadway	5,054,954 A	10/1991	Cobb et al.	404/6
3,308,584 A	3/1967	Graham	5,069,576 A	12/1991	Pomero	404/6
3,332,666 A	7/1967	Gray	5,078,366 A	1/1992	Sicking et al.	256/13.1
3,349,531 A	10/1967	Watson	5,112,028 A	5/1992	Laturner	256/13.1
3,385,564 A	5/1968	Persicke	5,203,543 A	4/1993	Fleury	256/13.1
3,417,965 A	12/1968	Gray	5,214,886 A	6/1993	Hugron	52/98
3,450,233 A	6/1969	Massa	5,244,101 A	9/1993	Palmer et al.	211/5
3,499,630 A	3/1970	Dashio	5,248,129 A	9/1993	Gertz	256/13.1
3,519,301 A	7/1970	Somnitz	5,286,137 A	2/1994	Cincinnati et al.	404/6
3,521,917 A	7/1970	King	5,391,016 A	2/1995	Ivey et al.	404/6
3,567,184 A	3/1971	Yancey	5,403,112 A	4/1995	Carney, III	404/6
3,606,222 A	9/1971	Howard	5,407,298 A	4/1995	Sicking et al.	404/6
3,617,076 A	11/1971	Attwood Wayne	5,481,835 A	1/1996	Bloom	52/98
3,637,244 A	1/1972	Strizki	5,484,217 A	1/1996	Carroll et al.	403/2
3,643,924 A	2/1972	Fitch	5,503,495 A	4/1996	Mak et al.	404/6
3,680,448 A	8/1972	Ballingall et al.	5,547,309 A	8/1996	Mak et al.	404/6
3,693,940 A	9/1972	Kendall et al.	5,647,520 A	7/1997	McDaid	224/425
3,711,881 A	1/1973	Chapman et al.	5,657,966 A	8/1997	Cincinnati	256/13.1
3,768,781 A	10/1973	Walker et al.	5,660,375 A	8/1997	Freeman	256/13.1
3,776,520 A	12/1973	Charles et al.	5,660,496 A	8/1997	Muller et al.	404/6
3,820,906 A	6/1974	Katt	5,664,905 A	9/1997	Thompson et al.	256/13.1
3,846,030 A	11/1974	Katt	5,733,062 A	3/1998	Oberth et al.	404/6
3,856,268 A	12/1974	Fitch	5,746,419 A	5/1998	McFadden et al.	267/140
3,912,404 A	10/1975	Katt	5,765,811 A	6/1998	Alberson et al.	256/13.1
3,919,380 A	11/1975	Smarook et al.	5,775,675 A	7/1998	Sicking et al.	256/13.1
3,925,929 A	12/1975	Montgomery	5,791,812 A	8/1998	Ivey	404/6
3,951,556 A	4/1976	Strizke	5,797,591 A	8/1998	Krage	256/13.1
3,967,906 A	7/1976	Strizki	5,797,592 A	8/1998	Machado	256/13.1
3,972,510 A	8/1976	Dougherty	5,823,584 A	10/1998	Carney, III	293/102
3,981,486 A	9/1976	Baumann	5,832,762 A	11/1998	McDaid	70/455
3,982,734 A	9/1976	Walker	5,851,005 A	12/1998	Muller et al.	256/13.1
4,000,882 A	1/1977	Penton	5,876,020 A	3/1999	Giavotto	256/13.1
4,063,713 A	12/1977	Anolick et al.	5,924,680 A	7/1999	Sicking et al.	256/13.1
4,071,970 A	2/1978	Strizki	5,931,448 A	8/1999	Sicking et al.	256/13.1
4,126,403 A	11/1978	Sweeney et al.	5,957,435 A	9/1999	Bronstad	256/13.1
4,183,695 A	1/1980	Wilcox	5,966,867 A	10/1999	Downer et al.	47/46
4,190,275 A	2/1980	Mileti	5,988,598 A	11/1999	Sicking et al.	256/13.1
4,200,310 A	4/1980	Carney, III	5,992,828 A	11/1999	Burdick	256/10
4,236,843 A	12/1980	Chisholm	6,007,269 A	12/1999	Marinelli	404/6
4,269,384 A	5/1981	Saeed et al.	6,010,275 A	1/2000	Fitch	404/6
4,278,228 A	7/1981	Rebentisch et al.	6,022,003 A	2/2000	Sicking et al.	256/13.1
4,295,637 A	10/1981	Huleck	6,065,894 A	5/2000	Wasson et al.	403/2
4,330,106 A	5/1982	Chisholm	6,092,959 A	7/2000	Leonhardt et al.	404/6
4,351,617 A	9/1982	Landa	6,109,597 A	8/2000	Sicking et al.	256/13.1
4,352,484 A	10/1982	Gertz et al.	6,116,805 A	9/2000	Gertz	403/13.1
4,389,134 A	6/1983	Colas	6,129,342 A	10/2000	Bronstad	256/13.1
4,399,980 A	8/1983	van Schie	6,168,346 B1	1/2001	Ernsberger	404/6
4,432,172 A	2/1984	Kuykendall et al.	6,203,079 B1	3/2001	Breed	293/119
4,452,431 A	6/1984	Stephens et al.	6,210,066 B1	4/2001	Dent	403/2
4,490,062 A	12/1984	Chisholm	6,220,575 B1	4/2001	Lindsay et al.	256/13.1
4,501,411 A	2/1985	Otaki	6,244,571 B1	6/2001	Reid et al.	256/13.1
4,583,716 A	4/1986	Stephens et al.	6,254,063 B1	7/2001	Rohde et al.	256/13.1
4,607,824 A	8/1986	Krage et al.	6,260,827 B1	7/2001	Sicking et al.	256/13.1
			6,272,796 B1	8/2001	Metzler	52/93.1
			6,290,427 B1	9/2001	Ochoa	404/6

6,299,141	B1	10/2001	Lindsay et al.	256/13.1
6,308,809	B1	10/2001	Reid et al.	188/377
6,340,268	B1	1/2002	Alberson et al.	404/6
6,347,904	B1	2/2002	Knighton	403/400
6,398,192	B1	6/2002	Albritton	256/13.1
6,409,156	B2	6/2002	Dent	256/13.1
6,416,041	B1	7/2002	Sicking et al.	256/13.1
6,435,761	B1	8/2002	Bligh et al.	404/6
6,461,076	B1	10/2002	Stephens et al.	404/6
6,488,268	B1	12/2002	Albritton	256/13.1
6,554,256	B2	4/2003	Ochoa	256/13.1
6,609,343	B1	8/2003	Litten	52/653.2
6,637,971	B1	10/2003	Carney, III et al.	404/6
6,644,888	B2	11/2003	Ochoa	404/6
6,715,735	B2	4/2004	Bligh et al.	256/13.1
6,729,607	B2	5/2004	Alberson et al.	256/13.1
6,902,150	B2	6/2005	Alberson et al.	256/13.1
6,932,327	B2	8/2005	Alberson et al.	256/13.1
6,948,703	B2	9/2005	Alberson et al.	256/13.1
2001/0013596	A1	8/2001	Sicking et al.	256/13.1
2001/0048101	A1	12/2001	Bligh et al.	256/13.1
2002/0007994	A1	1/2002	Reid et al.	188/377
2002/0179894	A1	12/2002	Albritton	256/13.1
2003/0015695	A1	1/2003	Alberson et al.	256/13.1
2003/0151038	A1	8/2003	Alberson et al.	256/13.1
2003/0168650	A1	9/2003	Alberson et al.	256/13.1
2003/0215305	A1	11/2003	Alberson et al.	411/400

FOREIGN PATENT DOCUMENTS

AU	603003	3/1989
AU	A-21844/88	11/1990
DE	1 916 361	3/1963
DE	1534526	11/1965
DE	1459803	3/1969
DE	3708861	10/1988
EP	0245042	4/1987
EP	0924347	6/1999
EP	0952256 A2	10/1999
FR	2386667	3/1978
FR	2546932	6/1983
GB	2023695 A	1/1980
JP	10 18255	1/1989
LU	40465	10/1961
LU	41444	5/1962
WO	WO 96/20311	7/1996
WO	98/50637	12/1998
WO	00/40805	7/2000
WO	02/18708 A2	3/2002

OTHER PUBLICATIONS

Bronstad, et al., *Modified Breakaway Cable Terminals for Guardrails and Median Barriers*, Research Results Digest, NCHRP, Transportation Research Board, Digest 102, May 1, 1978.
 ET-2000 The Future of Highway Safety—SYRO (Printed in Dec. 1990; revised Oct. 1992), Oct. 1, 1992.

Breakaway Support Post for Highway Guardrail End Treatments U.S. Appl. No. 09/074,496, filed May 7, 1998, James R. Albritton, May 7, 1998.

Notification of International PCT Search Report for International Patent Application No. PCT/US98/09029 filed May 7, 1998 (8 pages), Sep. 1, 1998.

“Road Restraint Systems—Part 4: Barrier Systems . . .”, European Standard, Draft, PrEN 1317-4, Jun. 17-18, 1999, European Committee for Standardisation, Central Secretariat: rue de Stassart 36, B 6 1050 Brussels, Jun. 18, 1999.

Breakaway Support Post for Highway Guardrail End Treatments U.S. Appl. No. 09/358,017, filed Jul. 19, 1999, James R. Albritton, Jul. 19, 1999.

“*Information: Report 350 Acceptance of New York 3-Strand Cable Terminal*”, Memorandum No. HMHS-CC63 from Dwight A. Horne, Director, Office Highway Safety Infrastructure, U.S. Department of Transportation, Federal Highway Administration, to Resource Center Directors, Division Administrators and Federal Lands Highway Division Engineers, 2 pages Memorandum and 3 pages of Attachments (Feb. 14, 2000).

Written Opinion for PCT/US98/09029, Mar. 29, 2000.

Notification of International PCT Search Report for International Patent Application No. PCT/US99/30463 filed Dec. 20, 1999 (11 pages), Apr. 28, 2000.

Notification of International PCT Search Report for International Patent Application No. PCT/US98/09029 filed May 7, 1998 (6 pages), Jul. 12, 2000.

Written Opinion for PCT/US99/30463.

Notification of International PCT Search Report for International Patent Application No. PCT/US99/30463 filed Dec. 20, 1999 (28 pages), Apr. 24, 2001.

“Road Restraint Systems—Part 4: Performance Classes . . .”, British Standard, Oct. 18, 2002, © BSI, ENV 1317-4:2001 (E).

Notification of International PCT Search Report for International Patent Application No. PCT/US02/38385, filed Dec. 7, 2002 (6 pages), Mar. 20, 2003.

Notification of International PCT Search Report for International Patent Application No. PCT/US03/02998, filed Jan. 30, 2003 (7 pages), May 28, 2003.

Notification of International PCT Search Report for International Patent Application No. PCT/US03/15002, filed May 13, 2003 (5 pages), Aug. 14, 2003.

PCT Written Opinion for International Application No. PCT/US03/15002, filed May 13, 2003 (5 pages), Apr. 28, 2004.

“*BEAT Box Beam Bursting Energy Absorbing Terminal*”, RSI Road Systems, Inc., <http://xc>.

“*Information: Report 350 Acceptance of New York 3-Strand Cable Terminal*,” Memorandum No. HMHS-CC63 from Dwight A. Horne, Director, Office of Highway Safety Infrastructure, U.S. Department of Transportation, Federal Highway Administration, to Resource Center Directors, Division Administrators and Federal Lands Highway Division Engineers, 2 pages Memorandum and 3 pages of Attachments, Feb. 14, 2000.

“Wood & Recreational Products, Lumber, Treated Wood, Park Furniture,” Pride Enterprises, 1 page, Nov. 15, 1999.

“Taking Highway Safety Into the 21st Century,” Trinity Industries, Inc., pp. 1-2 and 1-14, Feb. 27, 2003.

* cited by examiner

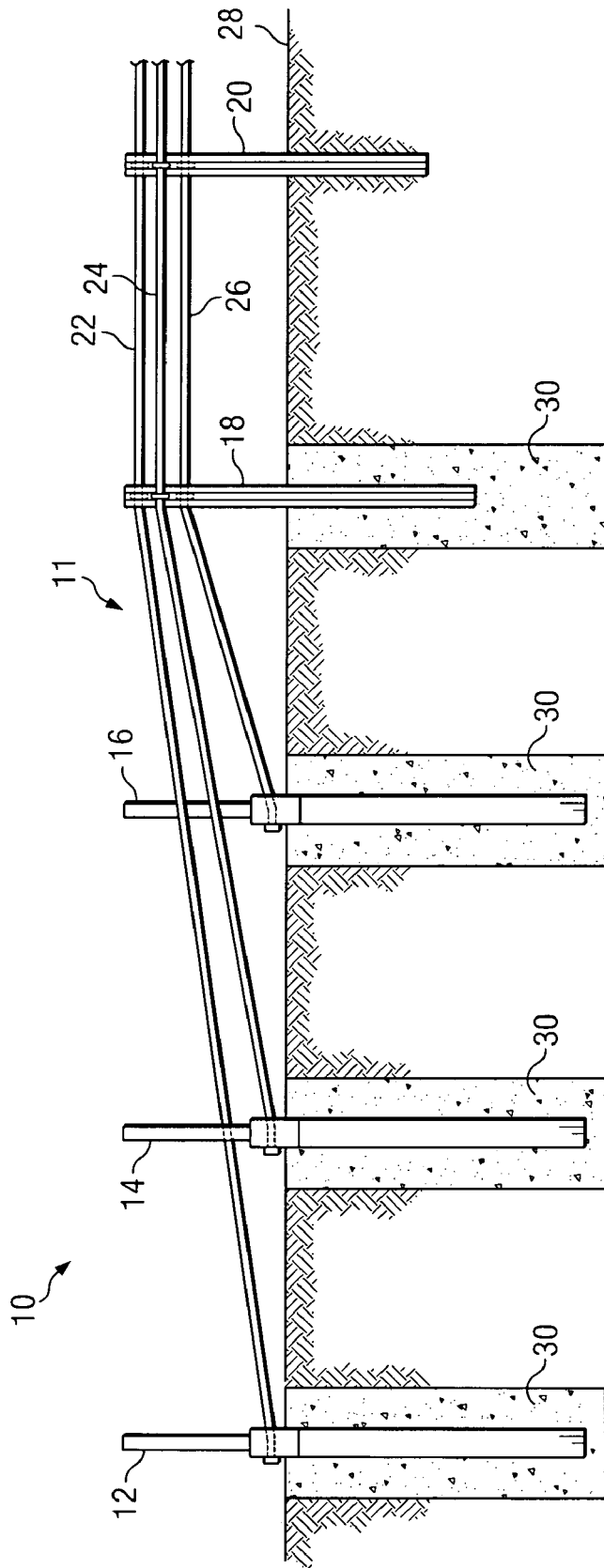


FIG. 1

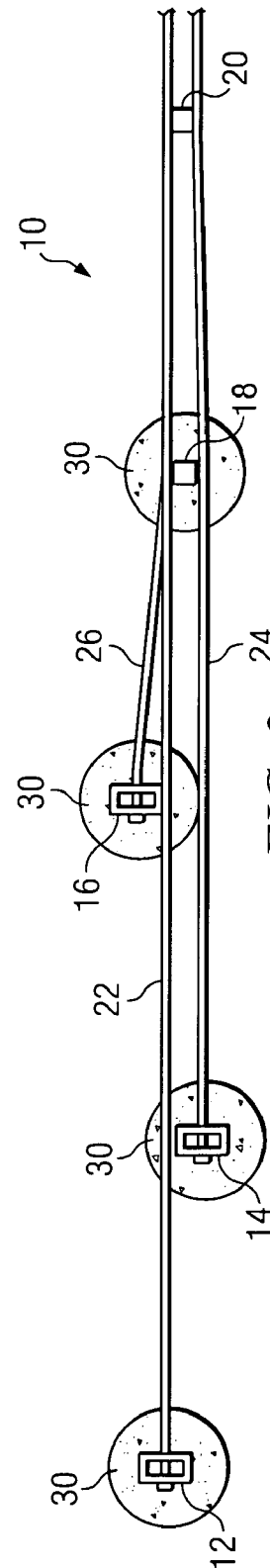


FIG. 2

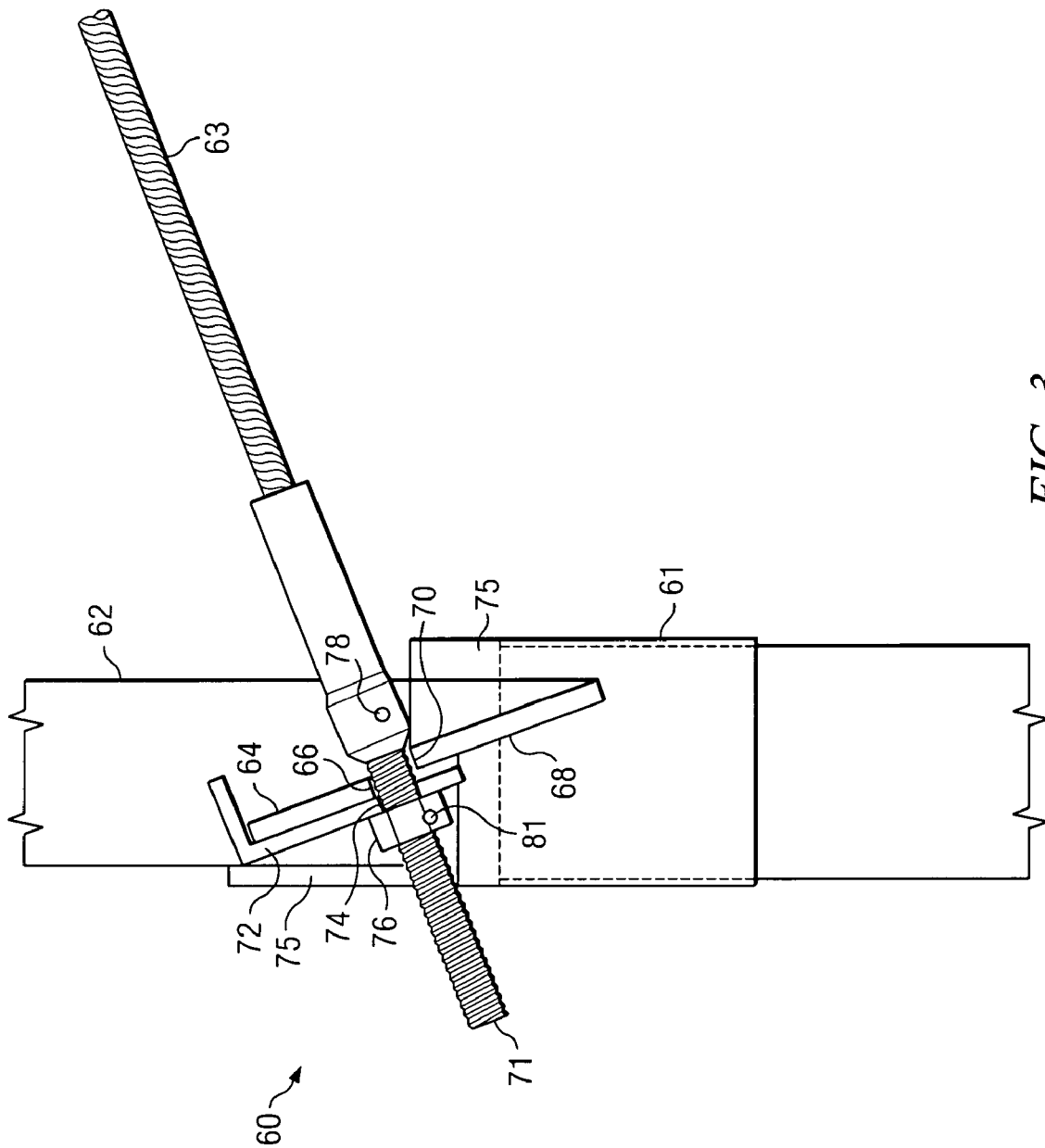
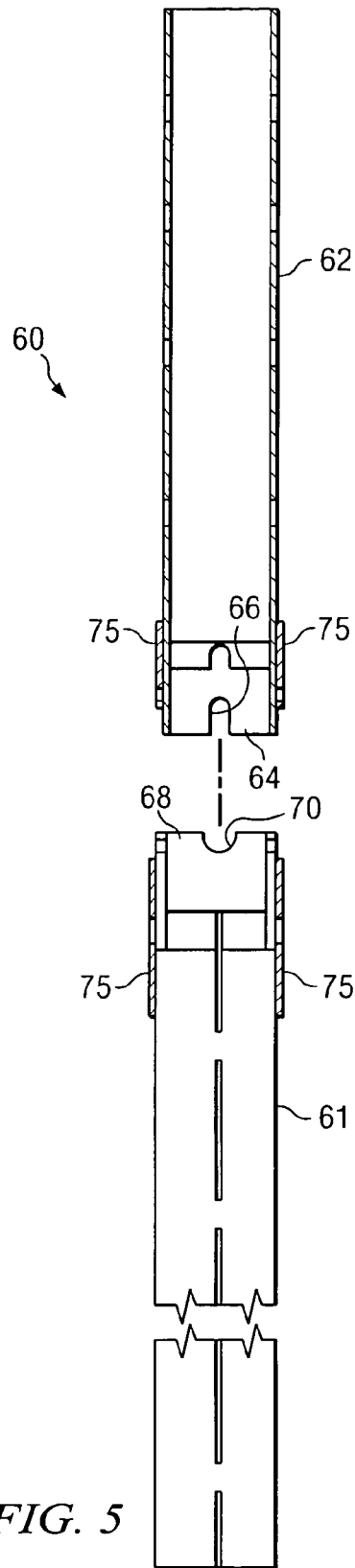
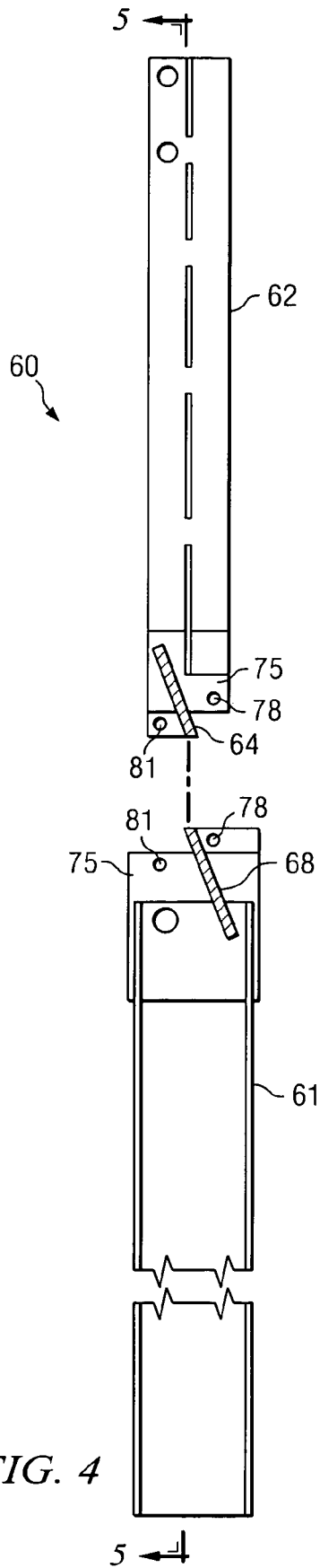


FIG. 3



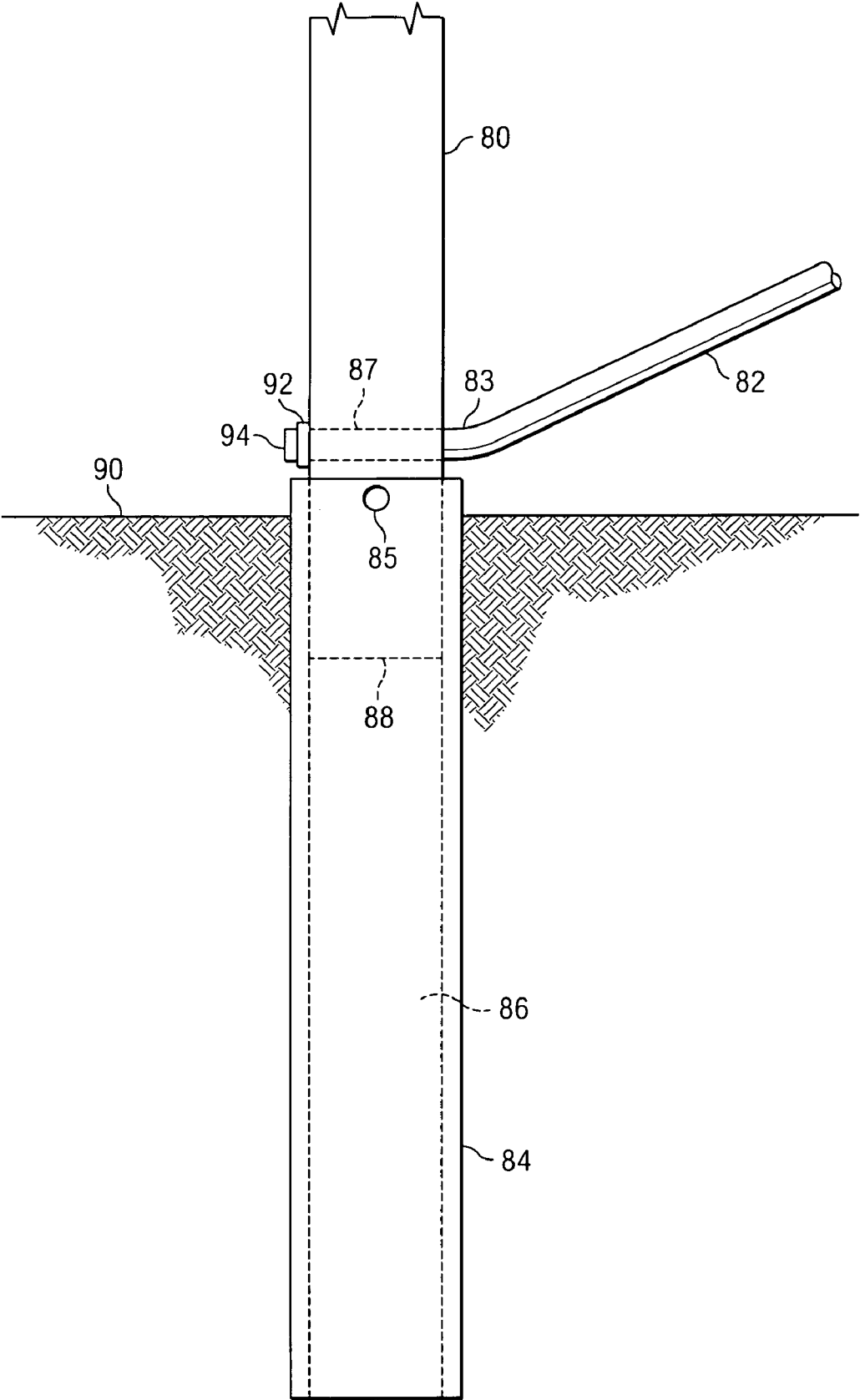


FIG. 6

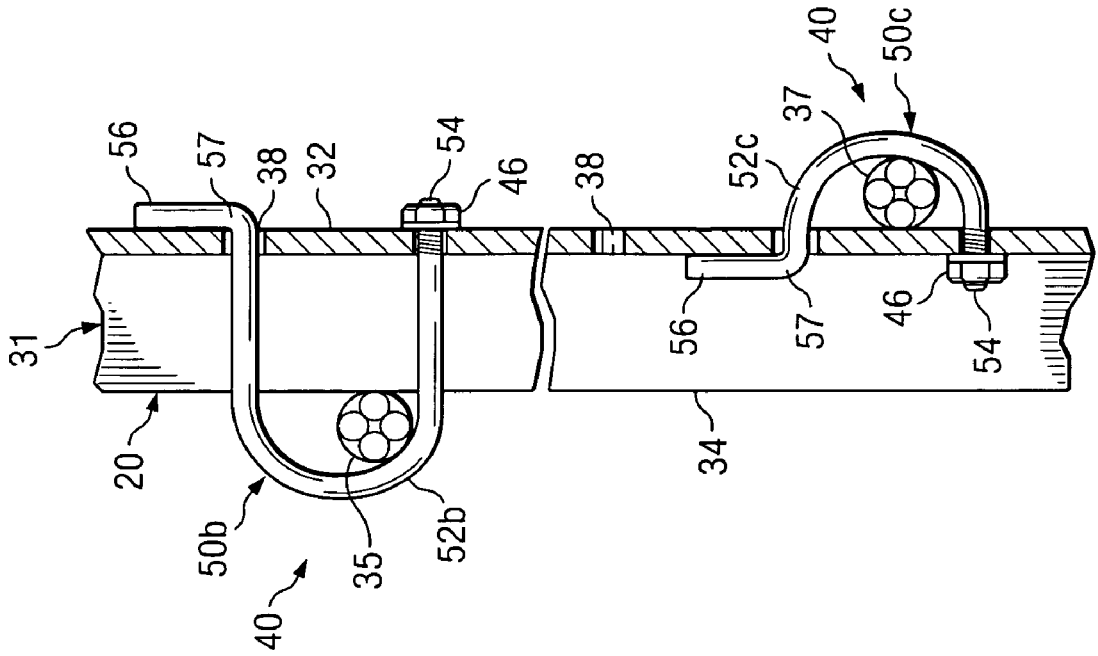


FIG. 8

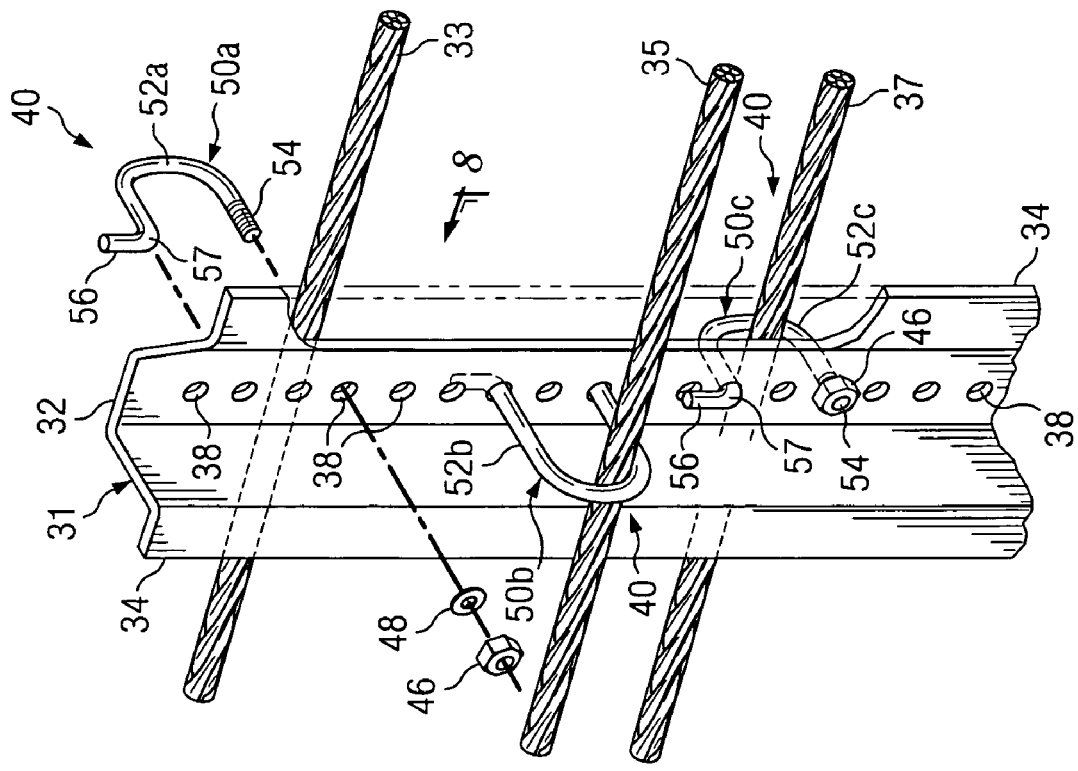


FIG. 7

CABLE GUARDRAIL RELEASE SYSTEM

RELATED APPLICATIONS

The present application is a continuation of U.S. Ser. No. 10/355,601 filed Jan. 30, 2003, entitled Cable Guardrail Release System, now U.S. Pat. No. 6,932,327, which claims the benefit of U.S. Provisional Application Ser. No. 60/353,000 filed Jan. 30, 2002, entitled Cable Guardrail Terminal, and U.S. Provisional Application Ser. No. 60/380,632 filed May 15, 2002, entitled Cable Guardrail Terminal.

TECHNICAL FIELD OF THE INVENTION

This invention relates generally to guardrail systems and more particularly to a cable guardrail release system.

BACKGROUND OF THE INVENTION

Guardrail systems are widely used along both sides of roadways to enhance the safety of the roadway and adjacent roadside. Guardrail beams and corresponding support posts may be used to accomplish multiple tasks, such as containing and redirecting an errant vehicle upon impact. Other systems may utilize cables and corresponding support posts to accomplish such tasks. Such systems typically anchor the cables at a foundation block.

SUMMARY OF THE INVENTION

The present invention provides a cable guardrail release system that substantially eliminates or reduces at least some of the disadvantages and problems associated with previous guardrail systems.

In accordance with a particular embodiment of the present invention, a cable guardrail release system includes a first number of anchor posts installed adjacent a roadway. Each of the first number of anchor posts secures an end of a respective cable. Each anchor post is operable to release the respective cable secured by the anchor post upon a vehicle impact to the anchor post.

The system may include a length of need section that includes a plurality of intermediate support posts each configured to support each of the respective cables. The length of need section may include portions of each of the respective cables running in between the plurality of intermediate support posts. Each anchor post may be configured to resist release of the respective cable secured by the anchor post upon a vehicle impact to the length of need section generally at an angle to the flow of traffic on the roadway.

In accordance with another embodiment, a cable guardrail release system includes a plurality of anchor posts installed adjacent a roadway. Each anchor post secures an end of at least one of a plurality of cables. Each anchor post is operable to release the end of the at least one of the plurality of cables secured by the anchor post upon a vehicle impact to the anchor post. Each anchor post may include an upper portion retaining a first slanted plate at a lower end of the upper portion. The first slanted plate may have a first cutout at its lower end. Each anchor post may also include a lower portion coupled to the upper portion for installation at least partially below grade adjacent the roadway. The lower portion may retain a second slanted plate at an upper end of the lower portion. The second slanted plate may have a second cutout at its upper end. The first slanted plate may be adjacent the second slanted plate such that the first cutout of the upper portion and the second cutout of the lower portion align

together to form an opening through which the end of the at least one of the plurality of cables secured by the anchor post is disposed. The upper portion may be operable to move relative to the lower portion and release the end of the at least one of the plurality of cables secured by the anchor post upon the vehicle impact to the anchor post.

Technical advantages of particular embodiments of the present invention include a cable guardrail release system that includes cables anchored to cable release anchor posts at different locations. The cables may be anchored to separate posts that release the cables in the event of a vehicle impact to the post. Having at least some cables separately anchored and released facilitates construction and repair of the system and reduces cost.

Other technical advantages will be readily apparent to one skilled in the art from the following figures, descriptions and claims. Moreover, while specific advantages have been enumerated above, various embodiments may include all, some or none of the enumerated advantages.

BRIEF DESCRIPTION OF THE DRAWINGS

For a more complete understanding of particular embodiments of the invention and their advantages, reference is now made to the following descriptions, taken in conjunction with the accompanying drawings, in which:

FIG. 1 illustrates a portion of a cable guardrail release system, in accordance with an embodiment of the present invention;

FIG. 2 illustrates the portion of the cable guardrail release system illustrated in FIG. 1 from a top view;

FIG. 3 illustrates portions of a cable release anchor post, in accordance with an embodiment of the present invention;

FIG. 4 illustrates portions of the cable release anchor post of FIG. 3 with its lower and upper post portions separated, in accordance with an embodiment of the present invention;

FIG. 5 is a cross-sectional view of the cable release anchor post of FIG. 4 taken along line 5-5 of FIG. 4;

FIG. 6 illustrates another type of cable release anchor post installed in a foundation tube, in accordance with an embodiment of the present invention;

FIG. 7 is an isometric view of a portion of an intermediate support post of a cable guardrail release system, in accordance with an embodiment of the present invention; and

FIG. 8 is a side view of a portion of the intermediate support post of FIG. 7, in accordance with an embodiment of the present invention.

DETAILED DESCRIPTION OF THE INVENTION

FIG. 1 illustrates a portion of a cable guardrail release system 10, in accordance with an embodiment of the present invention. Cable guardrail release system 10 may be installed adjacent a roadway to protect vehicles, drivers and passengers from various obstacles and hazards and to prevent vehicles from leaving the roadway during a traffic accident or other hazardous condition. Cable guardrail release systems in accordance with embodiments of the present invention may be used in median strips or shoulders of highways, roadways or any path that is likely to encounter vehicular traffic.

The illustrated portion of cable guardrail release system 10 includes intermediate support posts 18 and 20 and a terminal system 11 that includes cable release anchor posts 12, 14 and 16. Intermediate support posts 18 and 20 provide support to cables 22, 24 and 26 (upper cable 22, middle cable 24 and lower cable 26). Cable guardrail release system 10 includes three cables; however, other embodiments may include a

3

cable guardrail release system having fewer or greater than three cables. In particular embodiments, cables **22**, **24** and **26** comprise wire rope cables; however, other embodiments may include other types of cables or steel strands. One example cable for use in cable guardrail release system **10** is a 19 mm (0.748 in) diameter 3×7 wire rope.

Each cable **22**, **24** and **26** is anchored or secured by, or coupled to, a separate cable release anchor post proximate a ground surface **28**. For example, cable **22** is coupled to cable release anchor post **12**, cable **24** is coupled to cable release anchor post **14** and cable **26** is coupled to cable release anchor post **16**. Terminal system **11** includes three cable release anchor posts; however, other embodiments may include a terminal system with fewer or greater than three cable release anchor posts. For example, some embodiments of the present invention may include four cable release anchor posts that each anchor one of four cables. Cable guardrail release systems in accordance with other embodiments may also include terminal systems with more than one cable coupled to a single cable release anchor post. For example, one embodiment may include a terminal system with four cables and two cable release anchor posts, in which case each cable release anchor post may anchor two cables. Even in such situations, at least some cables are separately anchored and released which facilitates construction and repair of the system.

Cables **22**, **24** and **26** are also each secured to intermediate support posts **18** and **20** which support such cables in a generally horizontal and parallel relation above ground surface **28**. In the illustrated embodiment, cable release anchor posts **12**, **14** and **16** and intermediate support post **18** are securely anchored in concrete footers **30**. However, other embodiments may utilize another type of method to anchor the support or anchor posts. For example, some embodiments may utilize sleeves, foundation tubes, ground struts or trapezoidal soil plates to secure posts of a cable guardrail release system under a ground surface.

FIG. 2 illustrates the portion of cable guardrail release system **10** illustrated in FIG. 1 from a top view. The orientation and spacing of cable release anchor posts **12**, **14** and **16** relative to each other and to intermediate support post **18** may vary in various embodiments. As illustrated in FIGS. 1 and 2, cable release anchor posts may be installed in general alignment with each other and with the running of cables **22**, **24** and **26** along the cable guardrail release system **10**. In particular embodiments, the spacing between cable release anchor posts **12** and **14**, the spacing between cable release anchor posts **14** and **16**, and the spacing between cable release anchor post **16** and intermediate support post **18** may be approximately 1.9 meters. In some embodiments the spacing between intermediate support posts **18** and **20** and between other successive intermediate support posts of a cable guardrail release system may be approximately between two and five meters. Particular embodiments may also include cable release anchor posts configured and spaced such that the angle between each cable (as it is anchored to an anchor post) and ground surface **28** is substantially the same. Moreover, in the illustrated embodiment the angle between each cable and the ground surface is a particularly flat one which minimizes the slack which might exist at intermediate support post **18** upon release of one or more of the cables.

As evident, in this particular embodiment upper cable **22** and lower cable **26** are secured to one side of intermediate support posts **18** and **20**, while middle cable **24** is secured to the other side of intermediate support posts **18** and **20**. This configuration may be particularly suited for installation at a median. Cables of other embodiments may be secured to support posts in other ways or configurations. For example, in

4

some embodiments each cable may be secured to the traffic side of the intermediate support posts. Such a configuration may be particularly suited for roadside, as opposed to median, installation.

It should be understood that cable release anchor posts **12**, **14** and **16** of FIGS. 1 and 2 make up only one terminal of a complete cable guardrail release system **10**. Thus, cable guardrail release system **10** may include an opposite terminal that includes a number of cable release anchor posts and one or more intermediate support posts between the terminals. Such opposite terminal may be constructed in essentially the same manner as the terminal illustrated in FIGS. 1 and 2. The portion of a guardrail system between and including the intermediate support posts is referred in the art as the system's "length of need." Thus, the length of need section of a cable guardrail safety system may include the intermediate support posts of the system as well as the portions of the cables that run between the intermediate support posts, such as the portions of cables **22**, **24** and **26** that run between intermediate support posts **18** and **20** and any other intermediate support post of the system.

Cable guardrail release system **10** is intended to keep errant vehicles from leaving the roadway during a crash or other hazardous situation. In many instances, system **10** is installed between a roadway and a significant hazard to vehicles (i.e. another roadway, a bridge, cliff, etc.). Therefore, cable guardrail release system **10** is able to withstand a significant impact at an angle to the flow of traffic on the roadway, without substantial failure. It is the positive anchorage of the cables that allows cable guardrail release system **10** to withstand such an impact, and still redirect the vehicle so that it is once again traveling generally in the direction of the roadway.

However, testing and experience has continuously shown that guardrail systems may actually introduce additional hazards to the roadway and surrounding areas. This may be particularly true with respect to vehicles that impact the posts of the terminal section of the guardrail system. For example, if the posts of the terminal section were rigidly fixed in place during a collision with the posts, serious injury and damage may result to the errant vehicle, its driver and passengers. Accordingly, many attempts have been made to minimize this added risk.

Some of these methods include vehicle attenuating terminals (VAT), SENTRE end treatments, breakaway end terminals (BET) and the breakaway support posts of U.S. Pat. No. 6,398,192 ("192 patent"). Many such terminals, supports, end treatments and the like are commercially available from various organizations. Examples include the HBA post by Exodyne Technologies and Trinity Industries, and a breakaway support post similar in configuration to that described in the '192 patent.

Each cable release anchor post **12**, **14** and **16** fails and releases its respective cable **22**, **24** or **26** in the event of an impact by a vehicle striking the post. The performance of cable guardrail release system **10** is thereby improved since the vehicle is less likely to become hung up on the cable anchored by the post.

In the event that a vehicle strikes cable guardrail release system **10** at a location other than a particular anchor post, then cable release anchor posts **12**, **14** and **16** resist release of their respective cables **22**, **24** or **26** and hold and anchor their respective cables **22**, **24** or **26**. Thus, if a vehicle impacts cable guardrail release system **10** at an angle to the flow of traffic at any point along its length of need, then each cable release anchor post **12**, **14** and **16** is designed to hold their respective cables **22**, **24** or **26** to aid in the redirection of the vehicle toward the roadway. In particular embodiments each cable

5

release anchor post may hold and anchor the cable(s) that it secures in the event of an impact to a separate cable release anchor post. Furthermore, having particular cables of the system separately anchored and released facilitates construction and repair of the system and reduces cost.

FIG. 3 illustrates portions of a cable release anchor post 60, in accordance with an embodiment of the present invention. The structure and function of cable release anchor post 60 may be similar to that of cable release anchor posts 12, 14 and 16 of FIG. 1. Cable release anchor post 60 anchors cable 63 in a similar manner to the anchoring of cables 22, 24 and 26 by cable release anchor posts 12, 14 and 16, respectively, of FIG. 1.

Cable release anchor post 60 includes a lower post portion 61 and an upper post portion 62 separably secured to lower post portion 61 at their ends. Particular embodiments may include a cable release anchor post in which the upper and lower post portions are of different types. For example, a cable release anchor post of some embodiments may include an upper post portion having a W6×9 structural shape and a lower post portion having a W6×15 structural shape. Other embodiments may include a cable release anchor post with an upper post portion having a W150×13 structural shape and a lower post portion having a W150×22 structural shape. Some cable release anchor posts may include upper and lower post portions of a similar type but oriented in different ways when secured together to form the post. The lower post portion may be oriented such that the cable forces are resisted by the stronger axis of the structural shape to provide more anchorage capacity and more efficient use of the post portion. In the illustrated embodiment, each of post portions 61 and 62 comprise an I-beam-type cross-section having a pair of flanges and an interconnecting web. However, other embodiments may include cable release anchor posts having other types of cross-sections.

The lower end of upper post portion 62 retains a slanted plate 64, and the upper end of lower post portion 61 retains a slanted plate 68. Slanted plates 64 and 68 each comprise a slanted side, as illustrated, and such sides are retained at substantially the same angles with respect to a longitudinal axis of lower and upper post portions 61 and 62. In one embodiment, the orientation angle of each plate 64 and 68 is approximately twenty degrees as measured from the longitudinal axis of post portion 61 or 62. Welding or other means known in the art may be used to secure slanted plates 64 and 68 at the ends of lower and upper post portions 61 and 62.

The upper edge of slanted plate 68 includes a cut-out portion 70, and the lower edge of slanted plate 64 includes a cut-out portion 66. Such cut-out portions 66 and 70 can be clearly seen in FIG. 5. Cut-out portions 66 and 70 may comprise a "U" or other shape. When lower and upper post portions 61 and 62 are coupled to one another, as illustrated in FIG. 3, cut-out portions 66 and 70 of slanted plates 64 and 68, respectively, become aligned with one another to form an opening through which a threaded end 71 of cable 63 is disposed for anchorage. In particular embodiments, the angle of slanted plates 64 and 68 may be approximately perpendicular to the longitudinal axis of cable 63 when anchored by cable release anchor post 60.

Lower and upper post portions 61 and 62 are coupled to respective side plates 75. In FIG. 3, the illustrated side plate 75 coupled to upper post portion 62 couples to slanted plate 68 using bolts or other known means through holes 78, and the side plate 75 coupled to lower post portion 61 couples to slanted plate 64 using bolts or other known means through holes 81.

6

A connection plate 72 is placed to overlie slanted plate 64 to aid in the release of cable 63 upon vehicle impact as discussed below. Connection plate 72 includes an aperture 74 aligned with cut-out portions 66 and 70. Cable 63 is secured by tightening a nut 76 onto threaded end 71 so that slanted plates 64 and 66 and connection plate 72 are frictionally retained against one another.

Cable release anchor post 60 effectively releases cable 63 to which it is coupled with only a small degree of relative movement of upper post portion 62. In operation, minor movements of upper portion 62 causes cable 63 to release from cable release anchor post 60. Such minor movements may be the result of a vehicle impacting cable release anchor post 60. Such an impact above the point of connection of lower and upper post portions 61 and 62 may urge upper post portion 62 to rotate about the point of connection with lower post portion 61. This rotation ultimately results in the lifting of upper post portion 62 off of lower post portion 61 and the release of cable 63.

Because little relative movement of upper post portion 62 is required to release the cable, the cable is easily released in a collision with the post. This provides a safety advantage during collisions because the likelihood of the impacting vehicle becoming hung up on the cable is reduced.

FIGS. 4 and 5 illustrate cable release anchor post 60 with lower and upper post portions 61 and 62 separated. FIG. 5 is a cross-sectional view taken along line 5-5 of FIG. 4. Slanted plates 64 and 68 are illustrated at approximately identical angles relative to the longitudinal axes of lower and upper post portions 61 and 62. As discussed above, when lower and upper post portions are secured together, cut-out portions 66 and 70 align to provide an opening for a cable to be disposed for anchorage by cable release anchor post 60. In particular embodiments, the total length of upper post portion 62 may be approximately 0.772 meters, and the total length of lower post portion 61 may be approximately 1.880 meters.

Cable release anchor post 60 is resistant to release of the cable that it secures (i.e. cable 63 of FIG. 3) in the event of an angled impact to the guardrail system in which it is utilized other than an impact to post 60. An angled impact includes an impact that is angled, or not substantially parallel, to the flow of traffic on the roadway adjacent to which the guardrail system is installed.

FIG. 6 illustrates a cable release anchor post 80 which is another type of cable release anchor post that may be used in particular embodiments of the present invention. Thus, particular embodiments may utilize cable release anchor post 80 as cable release anchor posts 12, 14 and 16 of FIG. 1. Cable release anchor post 80 may anchor cable 82 as cable release anchor posts 12, 14 and 16 anchor cables 22, 24 and 26, respectively, of FIG. 1.

Cable release anchor post 80 comprises wood and is disposed partially within a foundation tube 84 when installed in a cable guardrail release system. Foundation tube 84 may comprise steel or another suitable material. Foundation tube 84 includes a hollow space 86 which is partially taken up by cable release anchor post 80 when the post is installed. Cable release anchor post 80 and foundation tube 84 include holes 85 for use in securing post 80 to foundation tube 84. Bolts or other suitable components may be used to secure the post. Other embodiments may utilize other techniques or methods known in the art for securing a cable release anchor post to a foundation tube.

When anchored to cable release anchor post 80, a threaded end of cable 82 is disposed through a hole or slot 87 of post 80. Cable 82 may include a bend 83 so that the cable may easily pass through slot 87 if slot 87 is formed horizontally in post

80. A plate **92** and locking nut **94** are utilized to secure and anchor the end of cable **82** to post **80**. Other embodiments may include other locking mechanisms to anchor an end of a cable to a wood cable release anchor post. Some embodiments may include a wood cable release anchor post with more than one hole or slot for disposition of an end of a cable, for example, if more than one cable is secured and anchored by the post.

In the event of a vehicle impact to cable release anchor post **80** when the post anchors a cable in a cable guardrail release system, post **80** breaks off from foundation tube **84** thereby releasing cable **83** from anchorage. Thus, the breaking off of post **80** constitutes release of the cable. The wooden composition of post **80** facilitates this break away and release characteristic of the post. Thus, like cable release anchor post **60** of FIG. 3, cable release anchor post **80** fails and releases the cable that it secures and anchors upon a vehicle impact to the post. This feature provides a safety advantage during collisions because the likelihood of the impacting vehicle becoming hung up on the cable is reduced. Moreover, like cable release anchor post **60** of FIG. 3, the design of cable release anchor post **80** aids to resist failure of the post and release of the cable in the event of a vehicle impact to another section of a cable guardrail release system in which the post is utilized, such as a length of need section of the system. Thus, the redirective abilities of the system in the event of an impact to another section may be maintained.

In particular embodiments, the length of cable release anchor post **80** may be approximately 0.9 to 1.1 meters, and the length of foundation tube **84** may be approximately 1.5 to 1.6 meters. When cable release anchor post **80** is installed in a guardrail release system of some embodiments, a bottom end **88** of the post may extend approximately 0.3 to 0.4 meters below a ground surface **90**.

Particular embodiments described herein discuss two particular types of cable release anchor posts, cable release anchor post **60** of FIGS. 3-5 and cable release anchor post **80** of FIG. 6. It should be understood that terminal systems of other embodiments may utilize other types of cable release anchor posts that secure one or more cables and provide release from anchorage of one or more cables upon a vehicle impact to the particular post that anchors the one or more cables.

FIG. 7 is an isometric view of a portion of an intermediate support post **31** of a cable guardrail release system, in accordance with an embodiment of the present invention. The structure and function of intermediate support post **31** may be similar to that of intermediate support posts **18** and **20** of FIG. 1. Cables **33**, **35** and **37** (upper cable **33**, middle cable **35** and lower cable **37**) are each secured to intermediate support post **31** by locking assemblies **40**. In particular embodiments, the total length of intermediate support post **31** may be approximately 1.6 meters.

As illustrated, intermediate support post **31** includes an approximately "U-shaped" cross-section with a central web portion **32** and a pair of oppositely directed flanges **34**. Apertures **38** are disposed through web portion **32**. In the illustrated embodiment, upper and lower cables **33** and **37** run along and are secured to one side of intermediate support post **31** while middle cable **35** runs along and is secured to an opposite side of intermediate support post **31**. This arrangement helps to accommodate impacts on either side of the cable guardrail safety system in which intermediate support post **31** is utilized. Impacts on either side of a guardrail system might be expected when the system is installed at a median.

As stated above, locking assemblies **40** are used to secure cables **33**, **35** and **37** to intermediate support post **31**. Each

locking assembly **40** comprises a bolt member **50** having a threaded end **54** and a nut **46** that may be threadably coupled to threaded end **54**. A lock washer **48** may be used in coupling nut **46** to bolt members **50**.

Each bolt member **50** has a unitary body with a U-shaped, arcuate portion **52**. Arcuate portion **52** presents threaded end **54** to which nut **46** is threadably coupled. Each bolt member **50** also includes a substantially straight, pigtail portion **56** that is located opposite threaded end **54**. Pigtail portion **56** is oriented at an approximately ninety degree angle to arcuate portion **52** by virtue of bend **57**. It should be understood that other types of bolt members known in the art may be used to secure cables to intermediate support posts. For example, particular embodiments may utilize J-shaped bolts for such purposes.

In particular embodiments of the present invention, cable **33** may be secured to intermediate support post **31** approximately 0.725 to 0.750 meters above the ground surface, cable **35** may be secured to intermediate support post **31** approximately 0.525 to 0.650 meters above the ground surface and cable **37** may be secured to intermediate support post **31** approximately 0.510 to 0.545 meters above the ground surface. These heights may also be used for securing cables **22**, **24** and **26** to intermediate support posts of FIGS. 1 and 2.

FIG. 8 is a side view of a portion of intermediate support post **31** of FIG. 7. Two varieties of bolt members **50** are illustrated. Bolt members **50a** and **50c** of FIG. 7 comprise one variety, while bolt member **52b** comprises the other variety. Bolt members **50b** and **50c** are illustrated in FIG. 8. Bolt member **50c** has a shortened arcuate portion **52c** as compared to arcuate portion **52b** of bolt member **50b**. Arcuate portion **52c** of bolt member **50c** is approximately half as long (as measured from the inside of the center of the curved portion to the end of threaded portion **54**) as arcuate portion **52b** of bolt member **50b**.

In operation, bolt members **50a**, **50b** and **50c** secure cables **33**, **35** and **37**, respectively, to intermediate support post **31** of a cable guardrail release system. For each of cables **33**, **35** and **37**, arcuate portions **52** of bolt members **50** are placed adjacent the body of the cable to be secured.

To install a locking assembly **40**, pigtail portion **56** of bolt member **50** is inserted through a respective aperture **38** in intermediate support post **31**. Bolt member **50** is then rotated (downwardly or upwardly depending upon the direction of insertion) so that bend **57** is disposed within the aperture. Each threaded end **54** is inserted through a respective aperture **38** proximate the aperture through which pigtail portion **56** is inserted. Washer **48** and nut **46** are secured to threaded end **54**. Because arcuate portion **52b** of bolt member **50b** is longer than arcuate portions **52a** and **52c** of bolt members **50a** and **50c**, respectively, bolt member **50b** is suitable for securing a cable in contact with flanges **34** while nut **46** and pigtail portion **56** are positioned on the opposite side of central web portion **32**. Bolt members **50a** and **50c** secure a cable in contact with web portion **32**. Thus, bolt member **50b** is suitable for securing middle cable **35** to a side of intermediate support post **31** that is opposite the side that upper and lower cables **33** and **37** are secured to through bolt members **50a** and **50c**, respectively.

It should be understood that while particular embodiments of the present invention utilize intermediate support posts similar to intermediate support post **31** of FIGS. 7 and 8, other embodiments may utilize other types of intermediate support posts known in the art. For example, some embodiments may utilize S3x5.7 posts, and some embodiments may utilize channel-shaped posts. Moreover, as discussed above, particu-

lar embodiments may utilize other mechanisms to secure the cables to intermediate support posts.

The above-described features collectively provide an efficient and effective barrier having many advantages. Cable guardrail release systems in accordance with particular embodiments of the present invention provide redirective capabilities, as described above, as a result of the anchorage of the cables at the cable release anchor posts. In addition, each cable release anchor post is readily collapsible during a collision with the post. Moreover, in such a collision, the particular cable release anchor post is able to separately release any cables secured by such post for added safety.

Although the present invention has been described in detail, various changes and modifications may be suggested to one skilled in the art. It is intended that the present invention encompass such changes and modifications as falling within the scope of the appended claims.

What is claimed is:

1. A cable guardrail release system, comprising:
 - a first number of anchor posts for installation adjacent a roadway, each anchor post comprising an upper post portion extending substantially above a ground surface and a lower post portion extending substantially below a ground surface, each of the first number of anchor posts securing an end of a respective cable;
 - wherein the upper post portion of each anchor post is coupled to at least one first plate and the lower post portion of each anchor post is coupled to at least one second plate, the at least one first plate and the at least one second plate releasably coupled to one another and forming an opening through which an end of a respective cable is disposed and secured, the end of the respective cable secured to the first and second plates and terminating at the first and second plates;
 - wherein the first and second plates are uncoupled from one another and release the respective cable upon a vehicle impact to the anchor post; and
 - wherein the plate is retained with the anchor post when the cable is released from the respective anchor post.
2. The cable guardrail release system of claim 1, further comprising a length of need section, the length of need section comprising:
 - a plurality of intermediate support posts, each intermediate support post configured to support each of a plurality of cables;
 - portions of each of the plurality of cables running in between the plurality of intermediate support posts; and
 - wherein each anchor posts is configured to resist release of the respective cable secured by the anchor post upon a vehicle impact to the length of need section generally at an angle to the flow of traffic on the roadway.
3. The cable guardrail release system of claim 2, wherein the plurality of intermediate support posts are installed in approximate alignment with each other and wherein the distance between two successive intermediate support posts is approximately two to five meters.
4. The cable guardrail release system of claim 1, wherein the first number of anchor posts comprises three anchor posts.
5. The cable guardrail release system of claim 1, wherein the first number of anchor posts comprises four anchor posts.
6. The cable guardrail release system of claim 1, wherein the first number of anchor posts are installed in approximate alignment with each other and wherein the distance between two successive anchor posts is approximately 1.9 meters.
7. The cable guardrail release system of claim 1, wherein:
 - the respective cable is coupled to the anchor post proximate a ground surface; and

each anchor post is configured to release the respective cable upon a vehicle impact to the upper portion of the anchor post.

8. The cable guardrail release system of claim 1, wherein the upper post portion and the lower post portion comprise Wide flange structural shapes, the upper post portion and lower post portion of different sizes.

9. The cable guardrail release system of claim 1, wherein the upper post portion and the lower post portion comprise Wide flange structural shapes, the upper post portion and lower post portion oriented differently with respect to each other.

10. The cable guardrail release system of claim 1, wherein each anchor post is configured to resist release of the respective cable upon a vehicle impact to the respective cable when the vehicle impact is at an angle to a flow of traffic.

11. A cable guardrail release system, comprising:

- a plurality of anchor posts for installation adjacent a roadway, each anchor post comprising an upper post portion extending substantially above a ground surface and a lower post portion extending substantially below a ground surface, each anchor post securing an end of at least one of a plurality of cables;

- wherein the upper post portion of each anchor post is coupled to at least one first plate and the lower post portion of each anchor post is coupled to at least one second plate, the at least one first plate and the at least one second plate releasably coupled to one another and forming an opening through which an end of a respective cable is disposed and secured, the end of the respective cable secured to the first and second plates and terminating at the first and second plates;

- wherein the first and second plates are uncoupled from one another and release the end of the at least one of the plurality of cables upon a vehicle impact to the anchor post; and

- wherein the at least one plate is retained with the respective anchor post when the cable is released from the respective anchor post.

12. The cable guardrail release system of claim 11, further comprising a length of need section, the length of need section comprising:

- a plurality of intermediate support posts, each intermediate support post configured to support each of the plurality of cables;

- portions of each of the plurality of cables running in between the plurality of intermediate support posts; and
- wherein each anchor post is configured to resist release of the end of the at least one the plurality of cables secured by the anchor post upon a vehicle impact to the length of need section generally at an angle to the flow of traffic on the roadway.

13. The cable guardrail release system of claim 11, wherein:

- the plurality of anchor posts comprises two anchor posts;
- the plurality of cables comprises four cables; and
- each of the two anchor posts secures an end of two of the four cables.

14. The cable guardrail release system of claim 11, wherein:

- the respective cable is coupled to the anchor post proximate a ground surface; and
- each anchor post is configured to release the end of the at least one of the plurality of cables upon a vehicle impact to the upper portion of the anchor post.

15. The cable guardrail release system of claim 11, wherein the upper post portion and the lower post portion comprise

11

Wide flange structural shapes, the upper post portion and lower post portion of different sizes.

16. The cable guardrail release system of claim 11, wherein the upper post portion and the lower post portion comprise Wide flange structural shapes, the upper post portion and lower post portion oriented differently with respect to each other.

17. The cable guardrail release system of claim 11, wherein the orientation of the upper post portion relative to the lower post portion of each anchor post results in the resistance of the release of the end of the at least one of the plurality of cables upon a vehicle impact to the respective cable when the vehicle impact is at an angle to a flow of traffic.

18. A cable guardrail release system, comprising:

a first terminal comprising:

a plurality of first anchor posts installed adjacent a roadway, each first anchor post comprising a first upper post portion extending substantially above a ground surface and a first lower post portion extending substantially below a ground surface, each first anchor post securing a first end of at least one of a plurality of cables, the upper post portion of each first anchor post coupled to at least one first plate and the lower post portion of each first anchor post coupled to at least one second plate, the at least one first plate and the at least one second plate releasably coupled to one another and forming an opening through which the first end of the at least one of the plurality of cables is disposed and secured, the end of the at least one cable secured to the first and second plates and terminating at the first and second plates; and

the first and second plates are uncoupled from one another and release the first end of the at least one of the plurality of cables secured by the first anchor post upon a vehicle impact to the first anchor post, the at least one first plate retained with the respective first anchor post when the cable is released from the respective first anchor post;

a length of need section comprising:

a plurality of intermediate support posts, each intermediate support post configured to support each of the plurality of cables; and

portions of each of the plurality of cables running in between the plurality of intermediate support posts;

a second terminal comprising:

a plurality of second anchor posts installed adjacent the roadway, each second anchor post comprising a second upper post portion extending substantially above a ground surface and a second lower post portion extending substantially below a ground surface, each second anchor post securing a second end of at least one of the plurality of cables, the upper post portion of each second anchor post coupled to at least one third plate and the lower post portion of each first anchor post coupled to at least one fourth plate, the at least one third plate and the at least one fourth plate releasably coupled to one another and forming an opening through which the second end of the at least one of the plurality of cables is disposed and secured, the end of

12

the at least one cable secured to the third and fourth plates and terminating at the third and fourth plates; and

the first and second plates are uncoupled from one another and release the second end of the at least one of the plurality of cables secured by the second anchor post upon a vehicle impact to the second anchor post, the at least one first plate retained with the respective first anchor post when the cable is released from the respective first anchor post.

19. A cable guardrail release system, comprising:

a plurality of anchor posts for installation adjacent a roadway, each anchor post securing an end of at least one of a plurality of cables, each anchor post comprising:

an upper post portion extending substantially above a ground surface;

a lower post portion extending substantially below a ground surface; and

a first plate coupled to the upper post portion and a second plate coupled to the lower post portion, the first plate and the second plate releasably coupled to one another and forming an opening through which an end of a respective cable is disposed and to which an end of a respective cable is secured, the end of the respective cable terminating at the first and second plates;

wherein the first and second plates are uncoupled from one another and release the end of the at least one of the plurality of cables upon a vehicle impact to the anchor post, the at least one plate retained with the anchor post when the respective cable is released from the anchor post.

20. A cable guardrail release system, comprising:

a plurality of anchor posts for installation adjacent a roadway, each anchor post securing an end of at least one of a plurality of cables, each anchor post comprising:

an upper post portion extending substantially above a ground surface;

a lower post portion extending substantially below a ground surface;

a first plate coupled to the upper post portion;

a second plate coupled to the lower post portion; and

wherein the first plate and the second plate are disposed between the upper post portion and the lower post portion and releasably coupled to define an opening through which an end of a respective cable is disposed and to which an end of a respective cable is secured, the end of the respective cable terminating at the first and second plates; and

wherein the first and second plates are uncoupled from one another and release the end of the at least one of the plurality of cables upon a vehicle impact to the anchor post, the first plate retained with the upper post portion when the respective cable is released from the anchor post, the second plate retained with the lower post portion when the respective cable is released from the anchor post.

* * * * *