

(12) **United States Patent**
Wilson et al.

(10) **Patent No.:** **US 10,898,199 B2**
(45) **Date of Patent:** **Jan. 26, 2021**

(54) **EXPANDABLE IMPLANT AND IMPLANT SYSTEM**

(71) Applicants: **LAWRENCE LIVERMORE NATIONAL SECURITY, LLC**, Livermore, CA (US); **THE TEXAS A&M UNIVERSITY SYSTEM**, College Station, TX (US)

(72) Inventors: **Thomas S. Wilson**, San Leandro, CA (US); **Ward Small, IV**, Livermore, CA (US); **William J. Bennett**, Livermore, CA (US); **Jason M. Ortega**, Pacifica, CA (US); **Duncan J. Maitland**, College Station, TX (US); **Jonathan Hartman**, Sacramento, CA (US)

(73) Assignees: **Lawrence Livermore National Security, LLC**, Livermore, CA (US); **The Texas A&M University System**, College Station, TX (US)

(*) Notice: Subject to any disclaimer, the term of this patent is extended or adjusted under 35 U.S.C. 154(b) by 431 days.

(21) Appl. No.: **15/984,003**

(22) Filed: **May 18, 2018**

(65) **Prior Publication Data**
US 2018/0263631 A1 Sep. 20, 2018

Related U.S. Application Data

(63) Continuation of application No. 13/325,906, filed on Dec. 14, 2011, now Pat. No. 10,010,327.
(Continued)

(51) **Int. Cl.**
A61B 17/12 (2006.01)
A61B 17/00 (2006.01)
(Continued)

(52) **U.S. Cl.**
CPC **A61B 17/12113** (2013.01); **A61B 17/1214** (2013.01); **A61B 17/1215** (2013.01);
(Continued)

(58) **Field of Classification Search**
CPC A61B 17/12113; A61B 17/1214; A61B 17/12145; A61B 17/1215;
(Continued)

(56) **References Cited**
U.S. PATENT DOCUMENTS

4,706,671 A 11/1987 Weinrib
4,994,069 A 2/1991 Ritchart et al.
(Continued)

FOREIGN PATENT DOCUMENTS

WO 2004016205 A2 2/2004
WO 2009013752 A2 1/2009

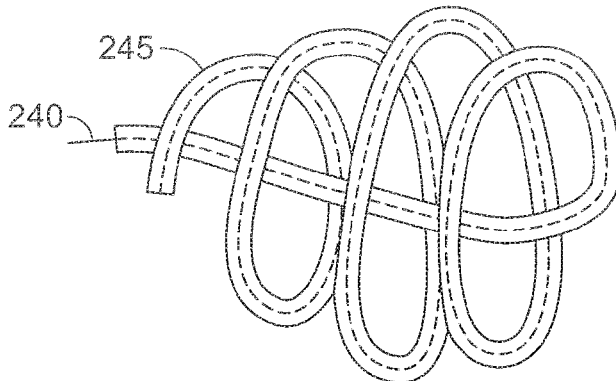
OTHER PUBLICATIONS

Canadian Intellectual Property Office, Office Action dated Apr. 14, 2020, in Canadian Patent Application No. 2,821,151, 3 pages total.
(Continued)

Primary Examiner — Ashley L Fishback
(74) *Attorney, Agent, or Firm* — Trop, Pruner & Hu, P.C.

(57) **ABSTRACT**
An embodiment of the invention includes an expandable implant to endovascularly embolize an anatomical void or malformation, such as an aneurysm. An embodiment is comprised of a chain or linked sequence of expandable polymer foam elements. Another embodiment includes an elongated length of expandable polymer foam coupled to a backbone. Another embodiment includes a system for endovascular delivery of an expandable implant (e.g., shape memory polymer) to embolize an aneurysm. The system may include a microcatheter, a lumen-reducing collar coupled to the distal tip of the microcatheter, a flexible pushing element detachably coupled to an expandable
(Continued)

↖ 246



implant, and a flexible tubular sheath inside of which the compressed implant and pushing element are pre-loaded. Other embodiments are described herein.

20 Claims, 15 Drawing Sheets

Related U.S. Application Data

- (60) Provisional application No. 61/423,926, filed on Dec. 16, 2010, provisional application No. 61/423,920, filed on Dec. 16, 2010.
- (51) **Int. Cl.**
A61M 25/06 (2006.01)
A61M 25/00 (2006.01)
- (52) **U.S. Cl.**
 CPC .. *A61B 17/12145* (2013.01); *A61B 17/12181* (2013.01); *A61B 17/12163* (2013.01); *A61B 2017/00871* (2013.01); *A61B 2017/12054* (2013.01); *A61M 25/0668* (2013.01); *A61M 2025/0042* (2013.01)
- (58) **Field of Classification Search**
 CPC *A61B 17/12181*; *A61B 17/12163*; *A61B 2017/00871*; *A61B 2017/12054*; *A61M 25/0668*; *A61M 2025/0042*
 See application file for complete search history.
- (56) **References Cited**

U.S. PATENT DOCUMENTS

| | | | |
|-----------|----|---------|-----------------------|
| 5,045,601 | A | 9/1991 | Capelli et al. |
| 5,049,591 | A | 9/1991 | Hayashi et al. |
| 5,354,295 | A | 10/1994 | Guglielmi et al. |
| 5,418,261 | A | 5/1995 | Helsemans et al. |
| 5,522,836 | A | 7/1996 | Palermo |
| 5,690,671 | A | 11/1997 | McGurk et al. |
| 5,846,247 | A | 12/1998 | Unsworth et al. |
| 6,086,599 | A | 7/2000 | Lee et al. |
| 6,102,917 | A | 8/2000 | Maitland et al. |
| 6,156,842 | A | 12/2000 | Hoenig et al. |
| 6,238,403 | B1 | 5/2001 | Greene, Jr. et al. |
| 6,458,127 | B1 | 10/2002 | Truckai et al. |
| 6,551,340 | B1 | 4/2003 | Konya et al. |
| 6,583,194 | B2 | 6/2003 | Sendijarevic |
| 6,616,617 | B1 | 9/2003 | Ferrera et al. |
| 7,308,738 | B2 | 12/2007 | Barvosa-Carter et al. |
| 7,386,203 | B2 | 6/2008 | Maitland et al. |
| 7,422,714 | B1 | 9/2008 | Hood et al. |
| 7,611,524 | B1 | 11/2009 | Maitland et al. |
| 7,744,604 | B2 | 6/2010 | Maitland et al. |
| 7,828,790 | B2 | 11/2010 | Griffin |
| 8,343,167 | B2 | 1/2013 | Henson |
| 8,449,592 | B2 | 5/2013 | Wilson et al. |

| | | | |
|--------------|----|---------|--------------------|
| 9,018,273 | B2 | 4/2015 | Ito et al. |
| 9,051,411 | B2 | 6/2015 | Wilson et al. |
| 2002/0010481 | A1 | 6/2002 | Jayaraman |
| 2002/0142119 | A1 | 10/2002 | Seward et al. |
| 2003/0028209 | A1 | 2/2003 | Teoh et al. |
| 2003/0236533 | A1 | 12/2003 | Wilson et al. |
| 2004/0030062 | A1 | 2/2004 | Mather et al. |
| 2005/0021074 | A1 | 1/2005 | Elliott |
| 2005/0038460 | A1 | 2/2005 | Jayaraman |
| 2005/0043755 | A1 | 2/2005 | Wilson et al. |
| 2005/0075405 | A1 | 4/2005 | Wilson et al. |
| 2005/0085693 | A1 | 4/2005 | Belson et al. |
| 2005/0165480 | A1 | 7/2005 | Jordan et al. |
| 2005/0192621 | A1 | 9/2005 | Wallace et al. |
| 2005/0228417 | A1 | 10/2005 | Teitelbaum et al. |
| 2005/0267570 | A1 | 12/2005 | Shaddock |
| 2005/0274454 | A1 | 12/2005 | Extrand |
| 2005/0274455 | A1 | 12/2005 | Extrand |
| 2006/0009785 | A1 | 1/2006 | Maitland et al. |
| 2007/0016233 | A1 | 1/2007 | Ferrera et al. |
| 2007/0104752 | A1 | 5/2007 | Lee et al. |
| 2007/0135907 | A1 | 6/2007 | Wilson et al. |
| 2008/0019657 | A1 | 1/2008 | Maitland et al. |
| 2008/0051829 | A1 | 2/2008 | Eidenschink et al. |
| 2008/0109057 | A1 | 5/2008 | Calabria et al. |
| 2008/0114454 | A1 | 5/2008 | Peterman et al. |
| 2008/0269745 | A1 | 10/2008 | Justin |
| 2009/0054918 | A1 | 2/2009 | Henson |
| 2009/0093674 | A1 | 4/2009 | Adams |
| 2009/0130391 | A1 | 5/2009 | Taya |
| 2009/0248141 | A1 | 10/2009 | Shandas et al. |
| 2009/0264835 | A1 | 11/2009 | Schuermann |
| 2009/0280330 | A1 | 11/2009 | Xie et al. |
| 2011/0015613 | A1 | 1/2011 | Anzai |
| 2013/0317541 | A1 | 11/2013 | Singhal et al. |
| 2014/0277057 | A1 | 9/2014 | Ortega et al. |

OTHER PUBLICATIONS

Canadian Intellectual Property Office, Examination Search Report dated Feb. 2, 2018 in Canadian Patent Application No. 2,821,151. Xie, "Recent advances in polymer shape memory," *Polymer*, Aug. 10, 2011, pp. 4985-5000, vol. 52, Elsevier Ltd.

Ayranci et al., "Shape Memory Effect of a Thermoset Polymer and its Fiber Reinforced Composites," 18th International Conference on Composite Polymers, pp. 1-5.

Behl et al., "Shape-memory polymers," *Materials Today*, Apr. 2007, vol. 10, No. 4, pp. 20-28, Elsevier Ltd.

European Patent Office, Extended European Search Report dated Jun. 15, 2015 for European Patent Application No. 11848981.4.

European Patent Office, Communication pursuant to Article 94(3) EPC dated Feb. 27, 2017 for European Patent Application No. 11848981.4.

The International Searching Authority, Written Opinion of the International Searching Authority and the International Search Report dated Dec. 26, 2012 in International Application No. PCT/US2011/065220, nine pages.

Reddy et al., "Bioinspired Surfaces with Switchable Adhesion," *Advanced Materials*, 2007, vol. 19, pp. 3833-3837, Wiley-VCH Verlag GmbH & Co., KGaA, Weinheim.

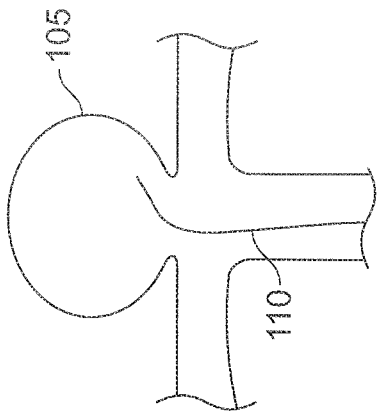


Fig. 1A

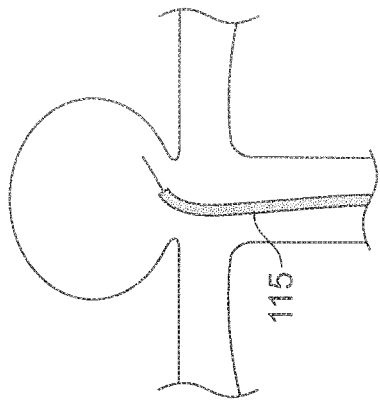


Fig. 1B

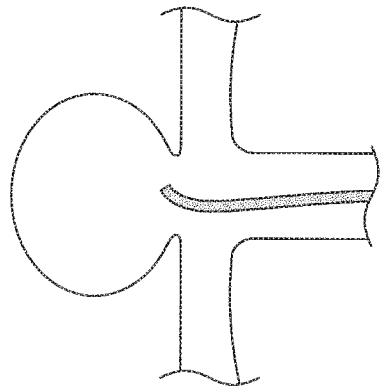


Fig. 1C

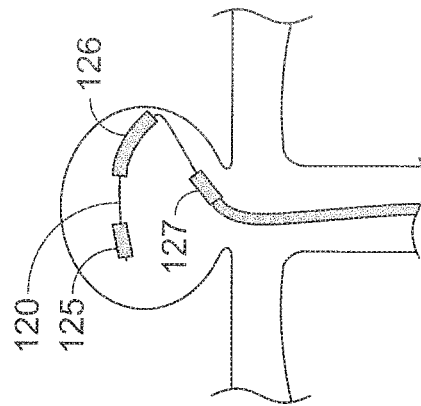


Fig. 1D

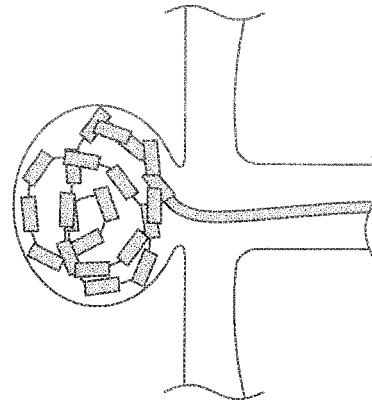


Fig. 1E

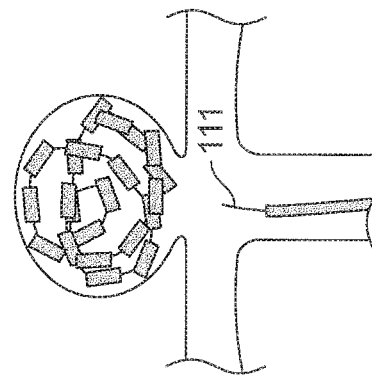


Fig. 1F

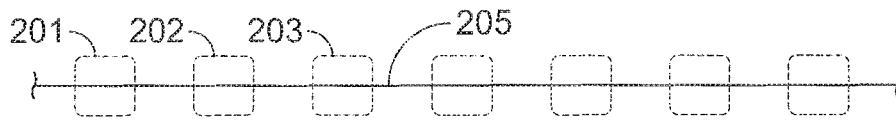


Fig. 2A

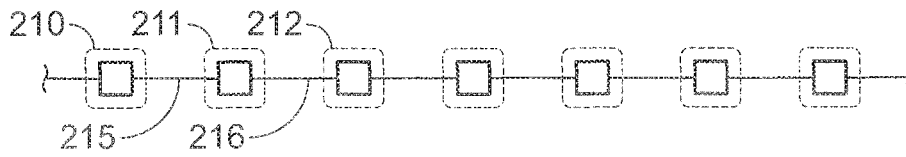


Fig. 2B

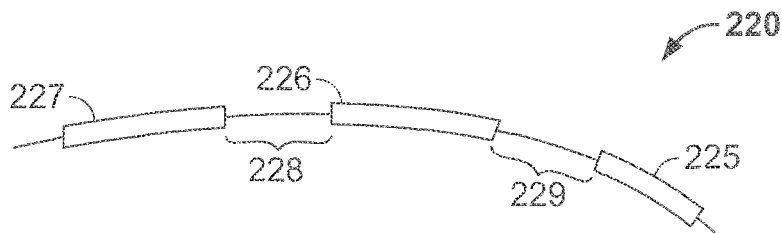


Fig. 2C-1

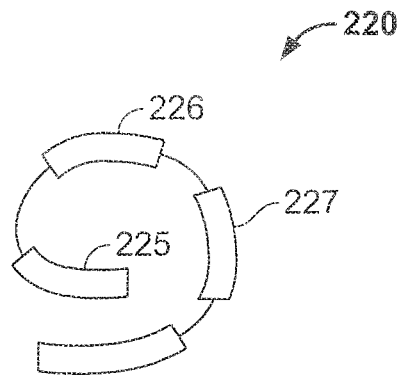


Fig. 2C-2

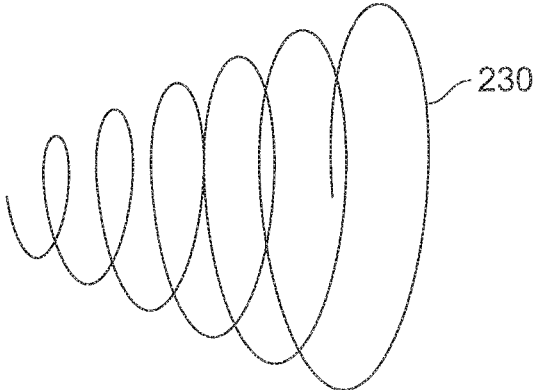


Fig. 2D

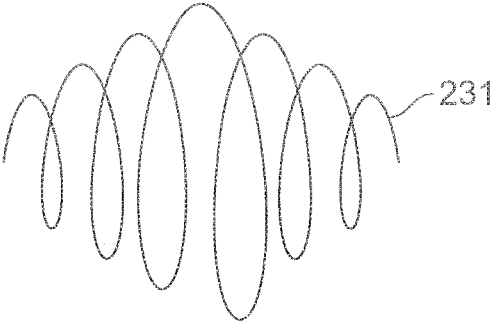


Fig. 2E

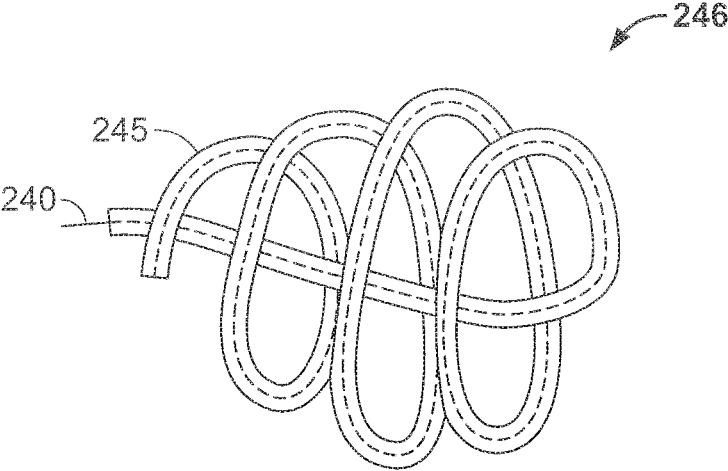


Fig. 2F

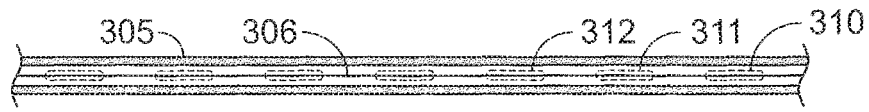


Fig. 3A

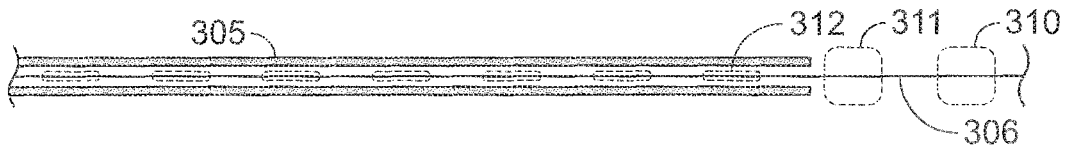


Fig. 3B

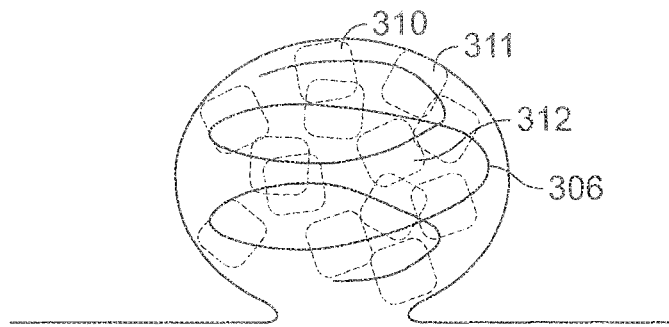


Fig. 3C

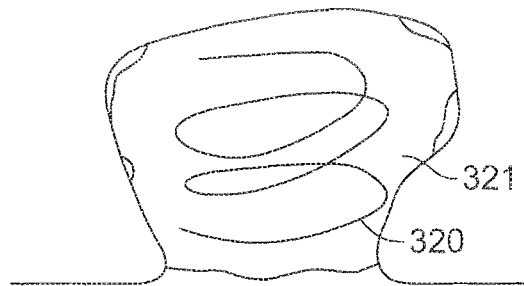


Fig. 3D

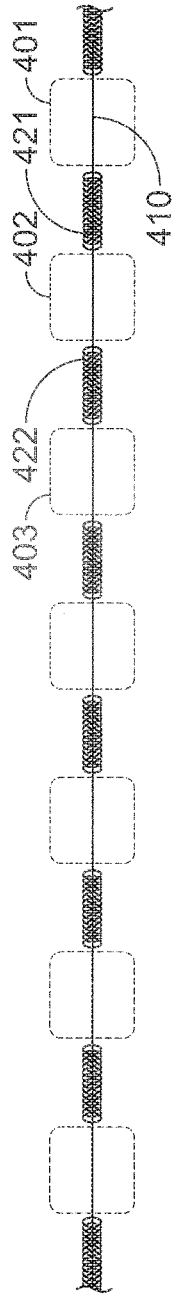


Fig. 4A

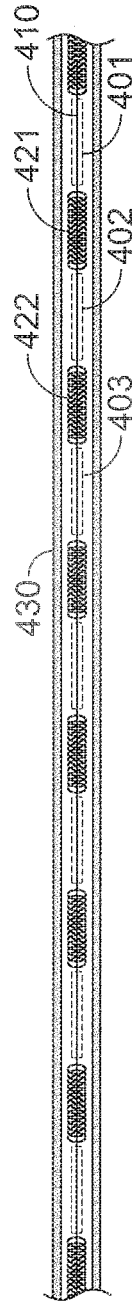


Fig. 4B

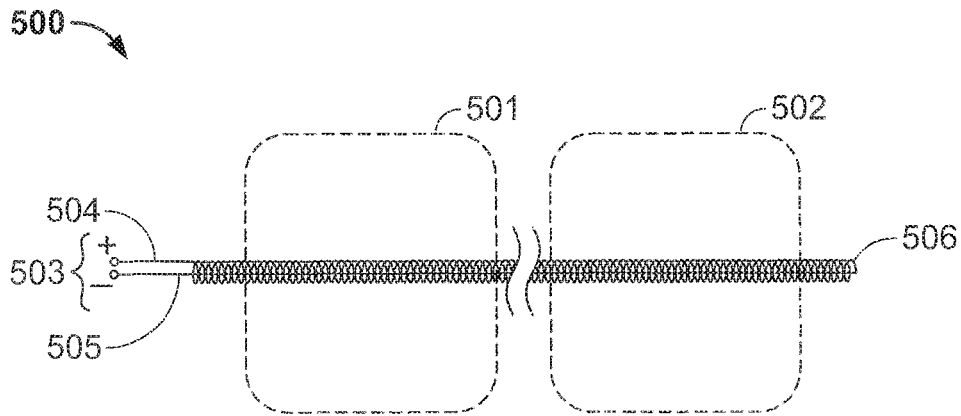


Fig. 5

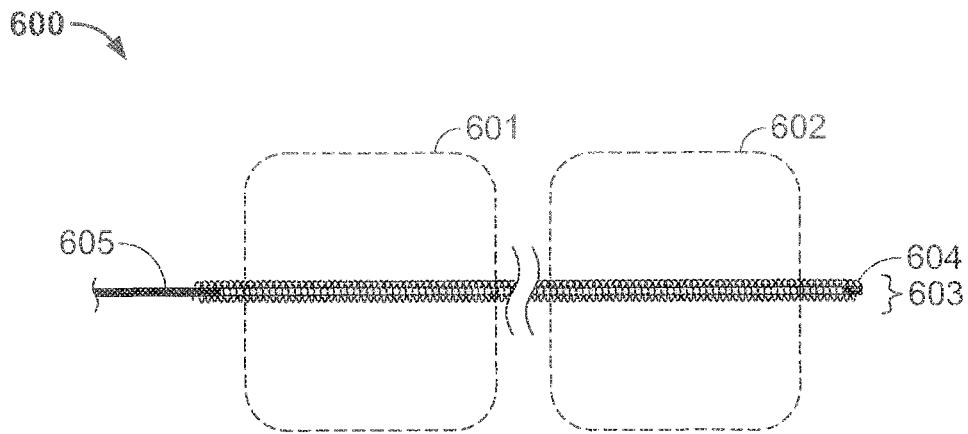


Fig. 6

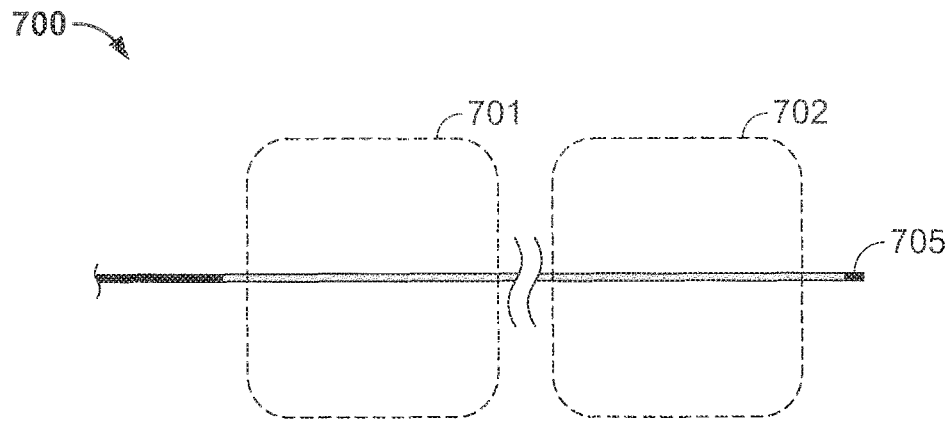


Fig. 7

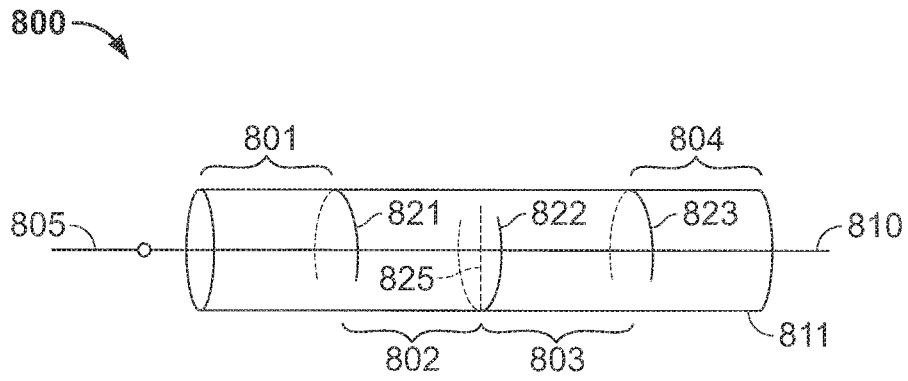


Fig. 8A

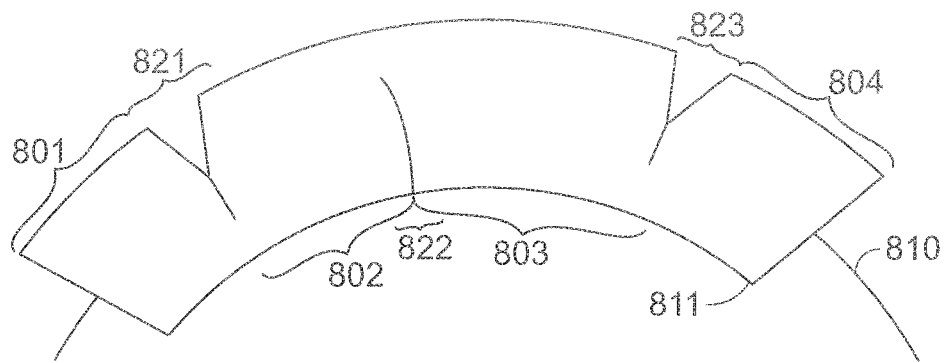


Fig. 8B

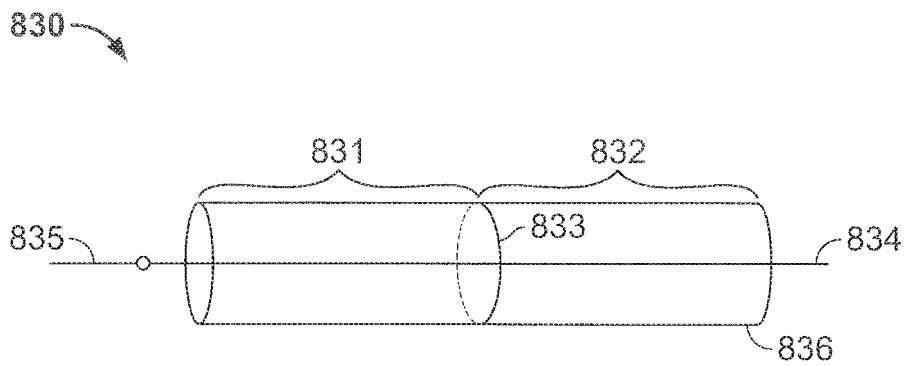


Fig. 9A

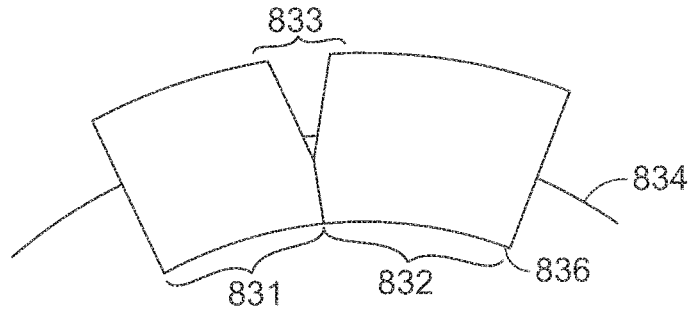


Fig. 9B

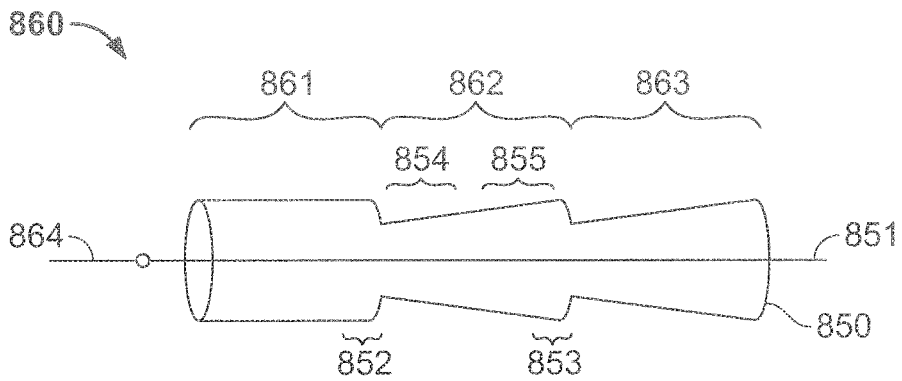


Fig. 10A

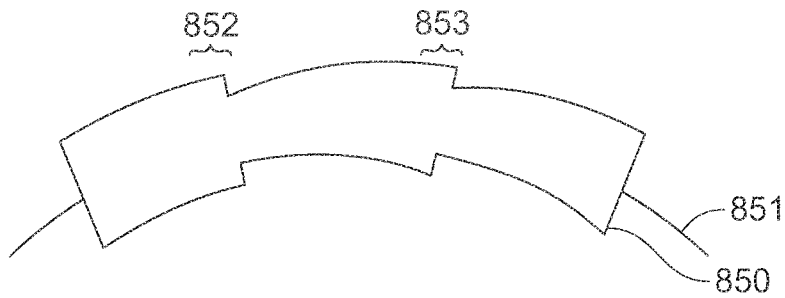


Fig. 10B

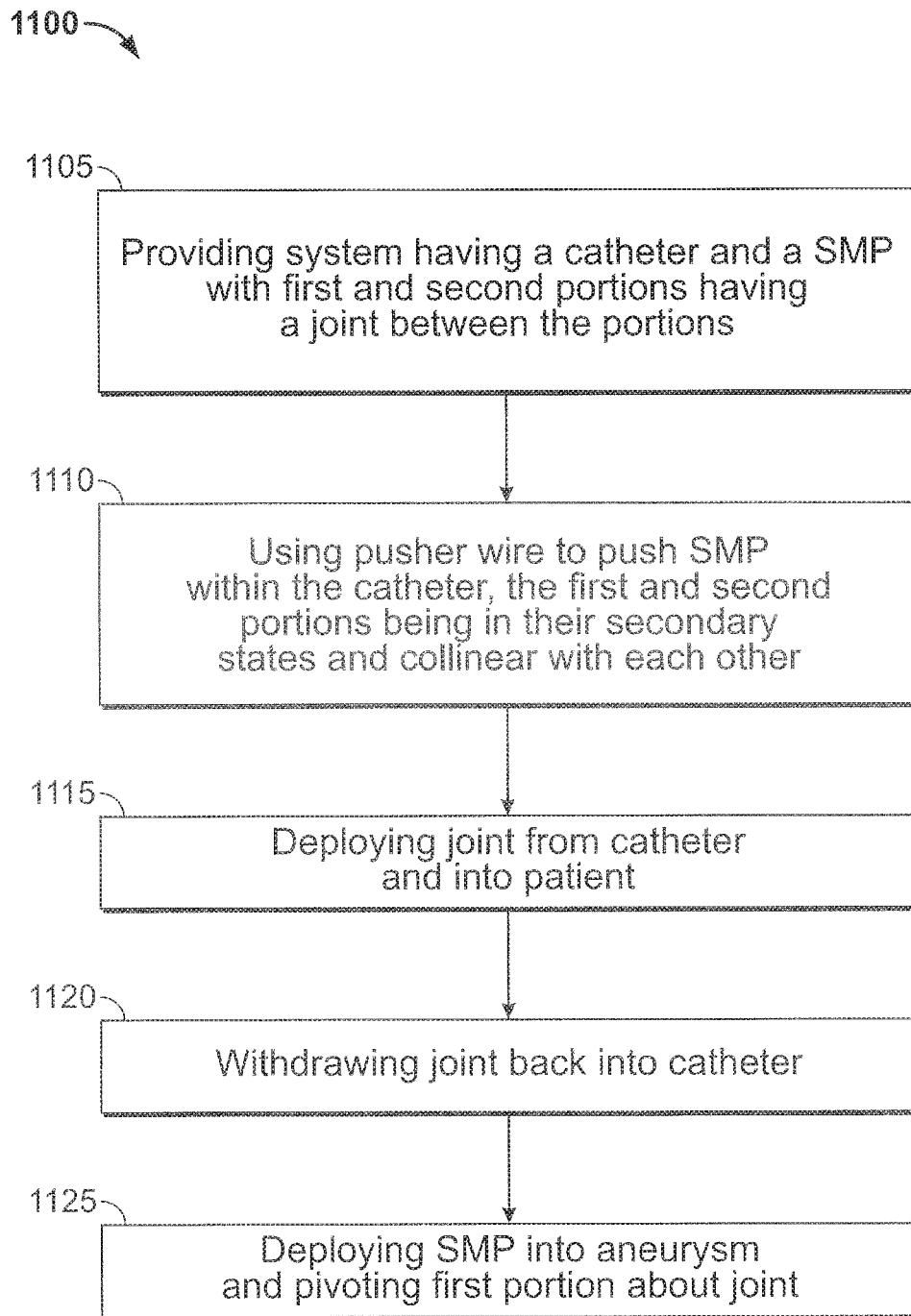


Fig. 11

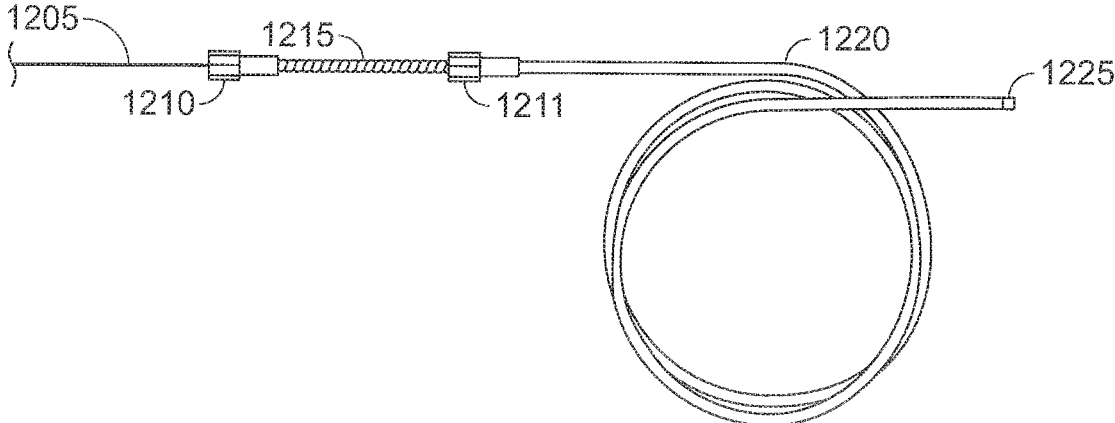


Fig. 12A

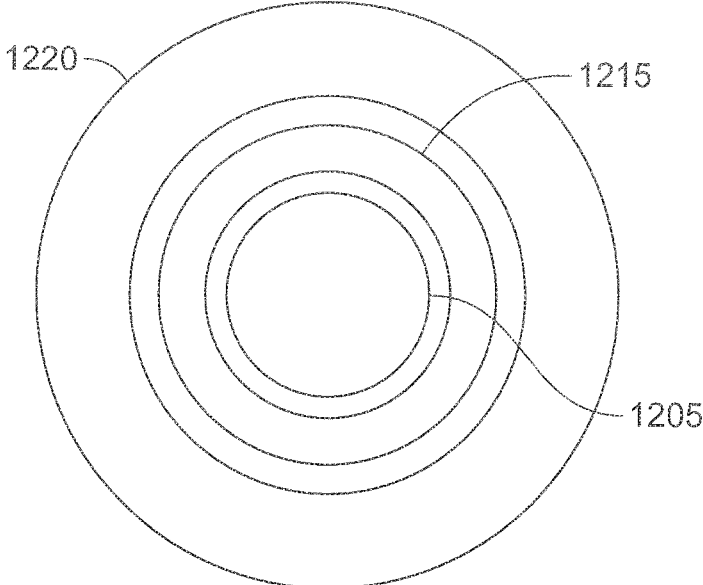


Fig. 12B

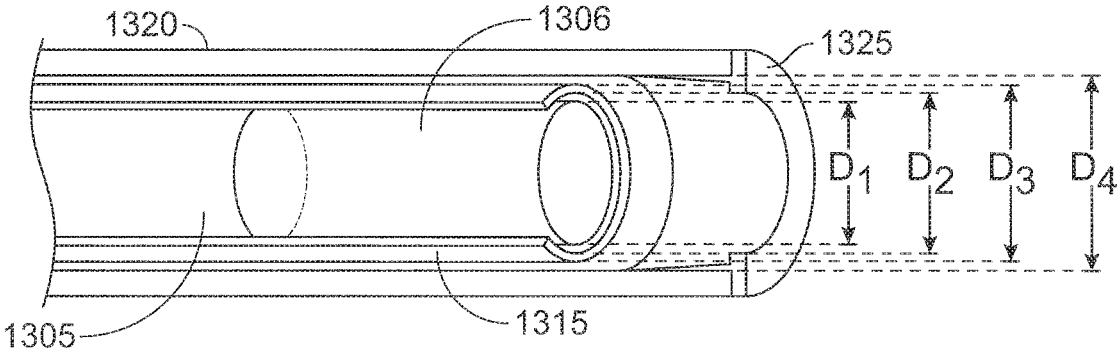


Fig. 13A

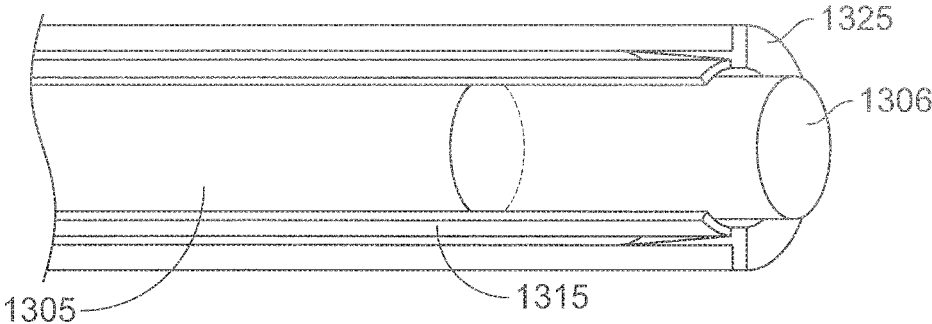


Fig. 13B

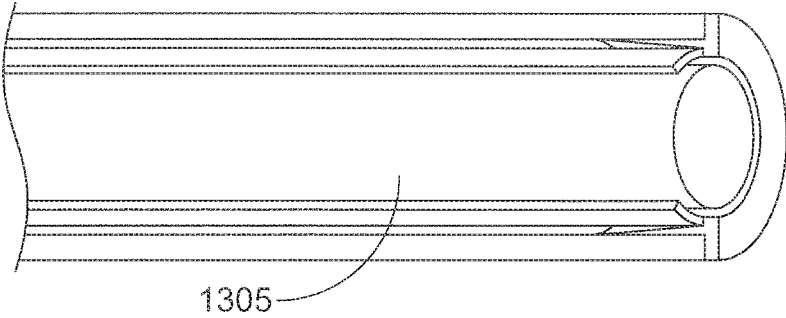


Fig. 13C

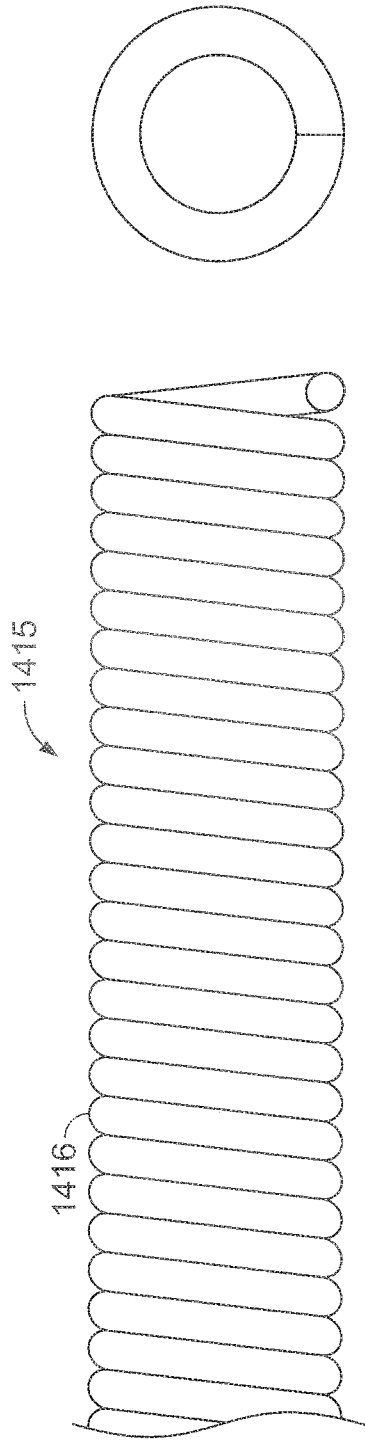


Fig. 14A

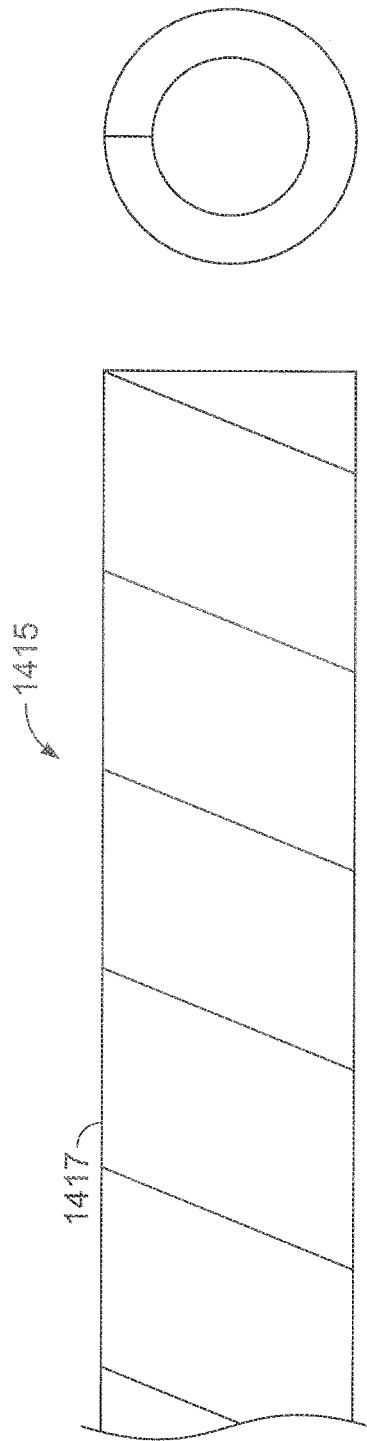


Fig. 14B

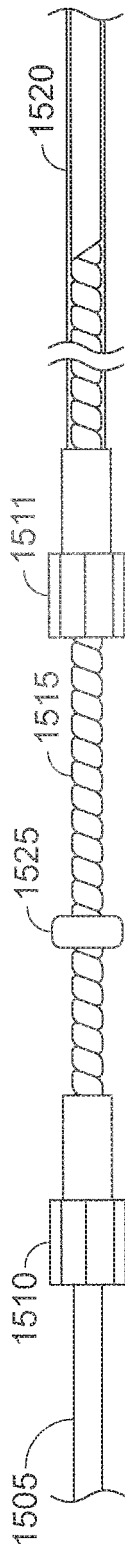


Fig. 15A

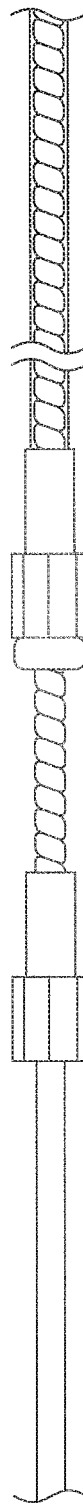


Fig. 15B

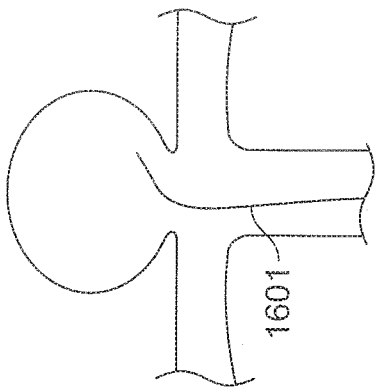


Fig. 16A

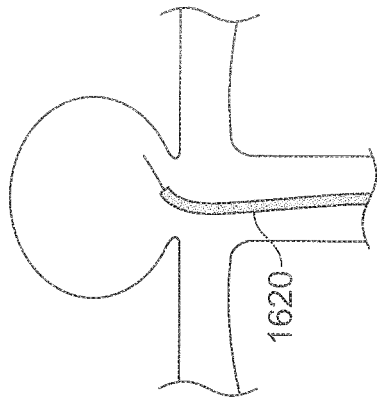


Fig. 16B

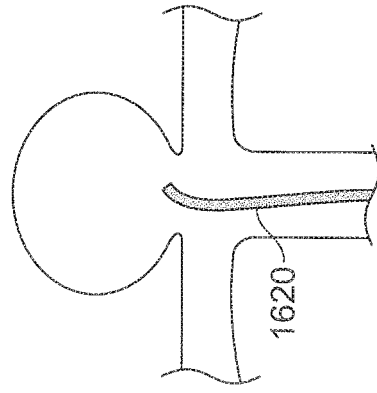


Fig. 16C

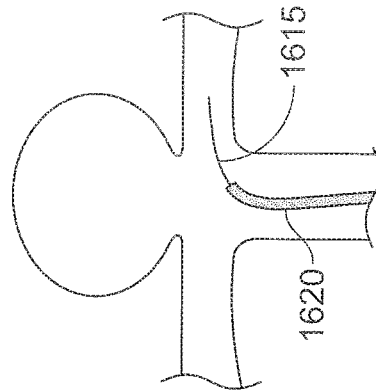


Fig. 16D

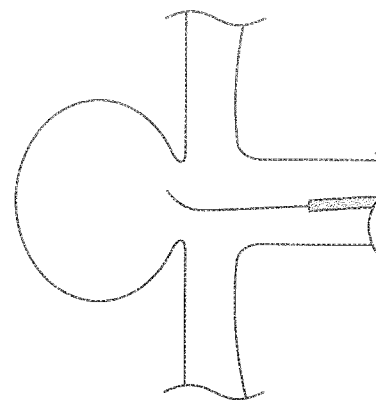


Fig. 16E

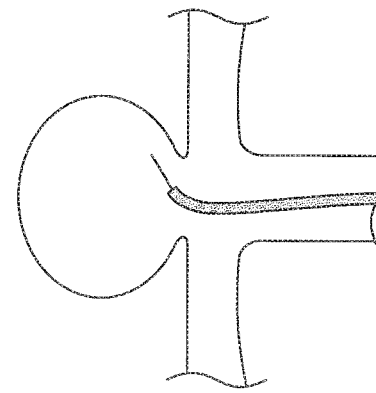


Fig. 16F

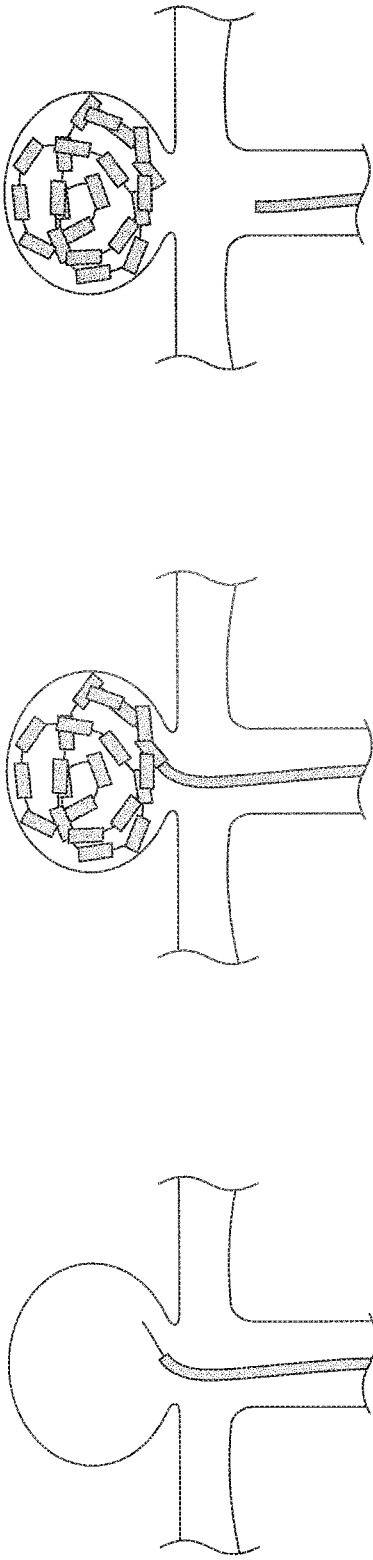


Fig. 16I

Fig. 16H

Fig. 16G

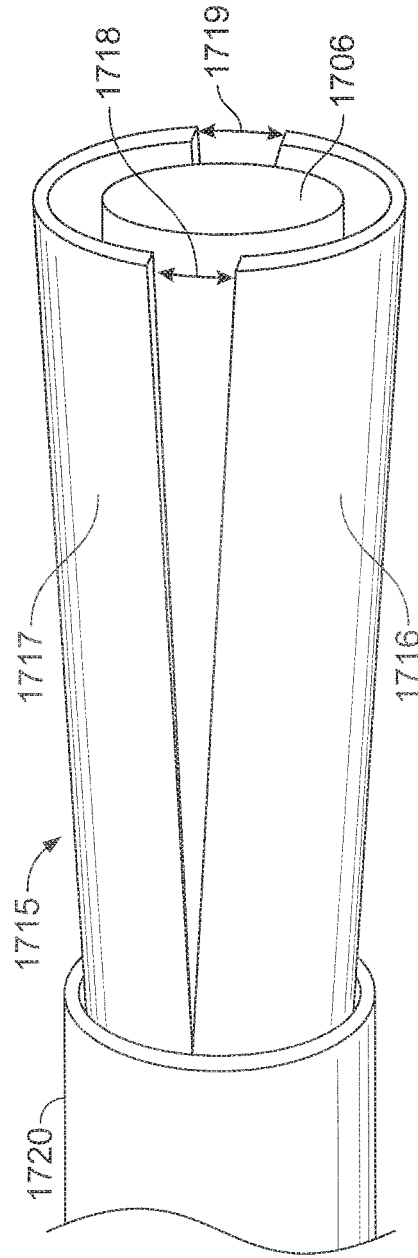


Fig. 17

EXPANDABLE IMPLANT AND IMPLANT SYSTEM

CROSS-REFERENCE TO RELATED APPLICATION(S)

This application is a continuation of U.S. patent application Ser. No. 13/325,906, filed Dec. 14, 2011 and entitled "Expandable Implant and Implant System", which claims priority to both U.S. Provisional Patent Application No. 61/423,920, filed Dec. 16, 2010 and entitled "Apparatus for Endovascular Delivery of an Expandable Aneurysm Implant", and U.S. Provisional Patent Application No. 61/423,926 filed Dec. 16, 2010 and entitled "Expandable Aneurysm Implant". The content of each of the above applications is hereby incorporated by reference.

STATEMENT AS TO RIGHTS TO INVENTIONS MADE UNDER FEDERALLY SPONSORED RESEARCH AND DEVELOPMENT

The United States Government has rights in this invention pursuant to Contract No. DE-AC52-07NA27344 between the United States Department of Energy and Lawrence Livermore National Security, LLC for the operation of Lawrence Livermore National Laboratory.

FIELD

Various embodiments of the invention concern the treatment of anatomical malformations. Some embodiments concern delivery systems for implants. Some embodiments concern expandable embolic agents. Some embodiments concern endovascular embolization of aneurysms using an expandable embolic agent.

BACKGROUND

Cerebral aneurysms may develop when a weakened area of a blood vessel (e.g., a blood vessel in or around the brain) bulges outward. If not treated, aneurysms can rupture resulting in hemorrhagic stroke, a major cause of mortality and long-term disability. Taking cerebral aneurysms for example, there are several modalities used to treat cerebral aneurysms including: (1) traditional surgical clipping, and (2) endovascular embolization. Surgical clipping is a traumatic procedure that involves craniotomy, retraction of the brain to expose the aneurysm, and placement of a metal clip across the aneurysm neck. Endovascular embolization is a minimally invasive technique in which embolic agents are delivered into the aneurysm via a catheter, under fluoroscopic (x-ray) guidance, to occlude the aneurysm and promote healing.

Regarding endovascular embolization, the Guglielmi Detachable Coil (GDC) allows a surgeon to deploy a helical platinum coil into the aneurysm. Once in proper position, the coil is detached from the delivery apparatus and released into the aneurysm. Multiple coils may be required to effectively fill the aneurysm and induce clotting and eventual sealing of the aneurysm from the parent vessel. Such coils are subject to problematic issues with recanalization and related insufficient healing.

Though not as prevalent as embolic coils, liquid embolic agents that solidify inside the aneurysm are also available for clinical use in rare cases. However, such agents can be difficult to precisely administer at specific sites.

BRIEF DESCRIPTION OF THE DRAWINGS

Features and advantages of embodiments of the present invention will become apparent from the appended claims, the following detailed description of one or more example embodiments, and the corresponding figures, in which:

FIGS. 1A-F include an embodiment for embolization of an aneurysm with an expandable apparatus delivered endovascularly.

FIGS. 2A, 2B, 2C-1, 2C-2, D-F include embodiments of shape memory polymer (SMP) elements, backbones, and monolithic SMPs covering long portions of backbones.

FIGS. 3A-D include embodiments in compressed pre-delivery stage and uncompressed, expanded post-delivery stage.

FIGS. 4A-B include an embodiment with spacers located between expandable elements.

FIG. 5 includes a heated carrier embodiment.

FIG. 6 includes an embodiment with a fiber optic light diffuser delivery mechanism.

FIG. 7 includes an embodiment with a fiber optic light diffuser delivery mechanism.

FIGS. 8A-B include a flexible embodiment of a monolithic SMP device.

FIGS. 9A-B include a flexible embodiment of a SMP device.

FIGS. 10A-B include a flexible embodiment of a tapered monolithic SMP device.

FIG. 11 includes a process for embolization of an aneurysm in an embodiment.

FIGS. 12A-B include an embodiment comprising a microcatheter, collar, and sheath.

FIGS. 13A-C include stages of delivery for embolization of an aneurysm in an embodiment.

FIGS. 14A-B include various embodiments for a sheath.

FIGS. 15A-B include an embodiment having a stop collar.

FIGS. 16A-I include an embodiment for a method of repositioning a misplaced embolization system.

FIG. 17 includes an embodiment with a sheath including apertures.

DETAILED DESCRIPTION

In the following description, numerous specific details are set forth but embodiments of the invention may be practiced without these specific details. Well-known circuits, structures and techniques have not been shown in detail to avoid obscuring an understanding of this description. "An embodiment", "various embodiments" and the like indicate embodiment(s) so described may include particular features, structures, or characteristics, but not every embodiment necessarily includes the particular features, structures, or characteristics. Some embodiments may have some, all, or none of the features described for other embodiments. "First", "second", "third" and the like describe a common object and indicate different instances of like objects are being referred to. Such adjectives do not imply objects so described must be in a given sequence, either temporally, spatially, in ranking, or in any other manner. "Connected" may indicate elements are in direct physical or electrical contact with each other and "coupled" may indicate elements co-operate or interact with each other, but they may or may not be in direct physical or electrical contact. Also, while similar or same numbers may be used to designate same or similar parts in different figures, doing so does not mean all figures including similar or same numbers constitute a single or same embodiment.

An embodiment of the invention includes an expandable implant to endovascularly embolize (fill) an anatomical void or malformation, such as an aneurysm. An embodiment is comprised of a chain or linked sequence of expandable polymer foam elements. Another embodiment includes an elongated length of expandable polymer foam coupled to a backbone.

The expandable polymer foam may comprise a shape memory polymer (SMP) foam in some embodiments. SMP foam is capable of being compressed and retaining its stable compressed shape (i.e., "secondary" state or configuration). The expandable foam element(s) may be compressed radially and/or extended/stretched axially for endovascular delivery through a microcatheter. The SMP may subsequently return to its stable predetermined primary expanded form (i.e., "primary" state or configuration) when activated. Activation may include exposing the SMP to an appropriate stimulus (e.g., heat, electricity, light, electromagnetic energy, and the like). This transformation ability may be based, at least in part, on the polymer morphology of the SMP. In an embodiment, the morphology comprises a shape-fixing matrix phase (amorphous or semi-crystalline polymer) and a shape-memorizing dispersed phase (physical or chemical crosslinks). The primary shape may be programmed into the material during the SMP's original melt processing or curing process. The temporary secondary shape may be obtained by deforming the SMP while heating the SMP above the characteristic thermal transition temperature (T_t) and then cooling the SMP to fix the shape. In an embodiment, T_t may be the glass transition temperature (T_g) or melting temperature (T_m) depending on the polymer system. The expanded SMP foam may serve as a localized scaffold for blood clot formation, which fosters the healing process of an aneurysm.

FIG. 1 includes an embodiment of the invention for embolization of an aneurysm with an expandable apparatus delivered endovascularly. In FIG. 1(a) guide wire 110 is advanced into aneurysm 105. In FIG. 1(b) microcatheter 115 is advanced along guide wire 110 into aneurysm 105. In FIG. 1(c) guide wire is withdrawn and no longer showing, leaving catheter 115 located in or near aneurysm 105. In FIG. 1(d) the expandable implant, comprising backbone 120 and SMP elements 125, 126, 127, is delivered from catheter 115 into aneurysm 105. FIG. 1(e) shows additional length of backbone 120 and additional SMP elements deployed within aneurysm 105. In FIG. 1(f) backbone 120 is detached from guide wire 111. After FIG. 1(f) catheter 115 and guide wire 111 are withdrawn from the patient.

As used herein, "guide wire" is a general term that connotes a wire or rod used to guide itself or other items through vasculature. Guide wire 111 may be thought of as a pusher rod that couples to backbone 120 to guide the backbone and SMP elements through catheter 115 and into aneurysm 105.

FIG. 2 includes various embodiments including single and multiple SMP systems. FIG. 2(a) includes an expandable aneurysm implant including multiple linked expandable elements (e.g., SMP foam). Expandable foam elements 201, 202, 203 (shown in expanded form) are spaced along a single carrier element 205 (e.g., a backbone) extending axially through all the expandable foam elements. FIG. 2(b) links SMP elements 210, 211, 212 (shown in expanded form) together via linking elements 215, 216. No single backbone extends through all the elements of FIG. 2(b).

FIG. 2(c)(i) shows how chain-like structure 220 maintains flexibility despite having elements 225, 226, 227 in compressed form. Compressed elements 225, 226, 227 are stiff

and may present problems when navigating the twists and turns of patient vasculature (e.g., small cranial vasculature). However, spaces 228, 229 and the like allow system 220 to bend and adapt to the twists and turns of patient vasculature, despite the stiffness of the compressed SMP foam. FIG. 2(c)(ii) shows elements 225, 226, 227 in expanded form with the backbone and the elements in their primary states and deployed in a patient. The backbone may include, for example, a shape memory alloy (e.g., Nitinol) that has primary and secondary states.

FIGS. 2(d) and 2(e) show backbones 230, 231 that are just two of the many configurations backbones may take in their relaxed primary states. Backbones 230, 231 may couple to numerous shorter elements (e.g., FIG. 2(c)) or one or more longer elements (e.g., FIG. 2(f)). For example, FIG. 2(f) shows backbone 240 coupling to elongated, monolithic element 245 (e.g., greater than 5 cm in length). Depending on stiffness of backbone 240 and element 245, system 246 may still maintain the requisite level of stiffness that facilitates advancing element 245 through a deployment catheter while being flexible enough to navigate the twists and turns of small vasculature.

FIG. 3 includes various embodiments in compressed pre-delivery stage and uncompressed, expanded post-delivery stage. FIG. 3(a) shows expandable foam elements 310, 311, 312 coupled to backbone 306 and compressed radially (i.e., secondary state) for endovascular delivery through microcatheter 305. FIG. 3(b) shows elements 310, 311 deployed from catheter 305 and expanded back to their primary state. FIG. 3(c) shows a series of linked elements expanded within an aneurysm. FIG. 3(d) shows an embodiment where both single monolithic SMP 321 and backbone 320 are both expanded into their respective primary states after being delivered into an aneurysm.

FIG. 4 includes an embodiment with spacers located between expandable elements. In FIG. 4(a) expandable foam elements 401, 402, 403 (shown in expanded form) are coupled to carrier element 410 (e.g., backbone) and separated from one another by wire coil spacers 421, 422. Wire coil spacers 421, 422 may be monolithic with carrier element 410 (e.g., wire coiled spacers 421, 422 and carrier element 410 may be formed of a single wire or rod that is straight at some sections and coiled at others). In other embodiments, wire coil spacers 421, 422 may be loosely and non-fixedly coupled to carrier element 410. In other embodiments, wire coil spacers 421, 422 may be fixedly coupled (e.g., welded) to carrier element 410. FIG. 4(b) shows the system of FIG. 4(a) included within catheter 430 with expandable foam elements 401, 402, 403 shown in compressed secondary form. Spacers 421, 422 are coaxial with carrier element 410. As seen in FIG. 4(b) the outer diameter of spacers 421, 422 is equal to the compressed outer diameter of expandable foam elements 401, 402, 403. Use of such spacers may facilitate pushing the SMP chain through a catheter. In other words, without the spacers there may be bunching between the SMP elements, which could frustrate advancement of the elements through the patient's vasculature.

FIG. 5 includes a heated carrier embodiment 500. Resistively heated carrier element 503 includes inner wire 505 and outer wire coil 504 coupled together at distal end 506 to complete an electronic circuit. Expandable foam elements 501, 502 are shown in expanded form. In this embodiment, a pushing element (not shown) containing two conductors couples an external power supply to carrier 503. Current may flow from the power supply to carrier 503 to cause

resistive heating of elements **501**, **502** to thereby transform elements **501**, **502** from their secondary states to their primary states.

FIG. 6 includes an embodiment **600** with a fiber optic light diffuser. Carrier element **603** includes inner flexible fiber optic light diffuser **605** and outer wire coil **604**. The fiber optic light diffuser **605** is coupled to an external light source, such as a laser (not shown). Laser energy is absorbed by outer wire coil **604**, resulting in the heating of coil **604**, causing expandable foam elements **601**, **602** to expand to their primary states.

FIG. 7 includes an embodiment **700** with a flexible fiber optic light diffuser. The carrier element includes flexible fiber optic light diffuser **705**. The fiber optic diffuser **705** is coupled to an external light source, such as a laser (not shown). Laser energy is absorbed by expandable foam elements **701**, **702**, resulting in heating of the foams causing the expandable foam elements to expand to their primary states.

FIG. 8 includes a flexible embodiment for a foam configuration. In FIGS. **8(a)** and **8(b)**, system **800** includes backbone **810**, which is coupled to guide wire (e.g., pusher wire) **805**. Backbone **810** includes primary and secondary states. For example, backbone may be formed from nickel titanium (e.g., Nitinol). FIG. **8(a)** shows backbone **810** in its secondary state and FIG. **8(b)** shows backbone **810** in its primary state. Monolithic SMP **811** (formed of a single piece of foam) covers a majority (>50%) of backbone **810**. SMP **811** includes primary and secondary states, first and second portions **802**, **803**, and a first joint **822** located between the first and second portions.

In a first configuration as shown in FIG. **8(a)**, backbone **810** is coupled to pusher wire **805**. SMP **811** and backbone **810** are both in their respective secondary states. In this configuration, system **800** is configured to be advanced through vasculature. For example, first and second portions **802**, **803** are generally collinear with one another as well as with portions **801**, **804**. Joints **821**, **822**, **823** are generally closed. However, joints **821**, **822**, **823** allow for flexibility as system **800** navigates through curves in the vasculature.

In a second configuration as shown in FIG. **8(b)**, backbone **810** is decoupled from the pusher wire (not shown), and monolithic SMP **811** and backbone **810** are both in their respective primary states and configured to both be included in an aneurysm. (Only a portion of the SMP is shown, and a longer version may look more like FIG. **2(f)**.) For example, SMP **811** is expanded to fill, partially or fully, a void such as an aneurysm. Backbone **810** may transform from its secondary state (primarily straight or uncoiled) to its secondary state (coiled into a helix or coil such as shown in FIGS. **2(d)**, **2(e)**, and **2(f)**). As seen in FIG. **8(b)**, first and second portions **802**, **803** are non-collinear with one another based on first portion **802** pivoting about first joint **822** relative to second portion **803**. Also, portion **804** is pivoted about joint **823** and portion **801** is pivoted about joint **821**.

Joints **821**, **822**, **823** may include slits, which is broadly used herein to include, for example, an aperture, cut, slice, compression, notch, cleft, breach, cleavage, fissure, and/or split. As seen in FIG. **8(a)**, slit **822** includes a long axis **825** that is generally perpendicular to a long axis of backbone **810** (which runs the length of backbone **810**). Also, slit **822** extends less than 360 degrees about backbone **810**. In FIG. **8(a)** slit **822** extends approximately 320 degrees about the backbone but other embodiments may extend, for example, 50, 100, 150, 200, 250, 300 degrees and the like. In an embodiment, slits may extend a full 360 degrees about backbone **810** but not extend from the exterior surface of

SMP **811** all the way to backbone **810**, thereby keeping **811** monolithic with portions **801**, **802**, **803**, **804** not completely severed from one another.

As shown in FIG. **8(a)**, slit **821** is included in a superior exterior surface of SMP **811** and slit **822** is distal to slit **821** and included in an inferior exterior surface of SMP **811** but not the superior exterior surface of the monolithic SMP. Thus, the slits are staggered to allow for flexibility while maintaining SMP **811** as monolithic (considering slits **821**, **822**, **823** do not completely sever portions **801**, **802**, **803**, **804** from one another).

In an embodiment, SMP **811** is greater than 5 cm in length and is the only SMP coupled to backbone **810**. In other embodiments the only SMP coupled to the backbone may be longer or shorter and include lengths of, for example, 3, 4, 6, 7, 8, 9 cm and the like.

Further, in an embodiment the SMP in the secondary state has a modulus that is greater than the SMP's modulus in the primary state. For example, the SMP is stiffer when being pushed through a catheter and into the body, but softer and more compliant when deployed in an aneurysm and pushed up against delicate aneurysm walls.

In FIG. **8(a)** in their secondary states all of portions **801**, **802**, **803**, and **804** are flush against one another. This may facilitate smoothly advancing SMP **811** within a catheter as there are no edges exposed to catch on various obstacles that may be encountered during deployment. As shown in FIG. **8(a)** portion **801** includes a distal face (i.e., distal face formed by slit **821**) that is complimentary to and flush against the proximal face of portion **802** (i.e., proximal face formed by slit **821**).

However, in FIG. **8(b)** the portions are not all completely flush against one another due to pivoting (e.g., slit **821** is opened partially). This may expose extra surface area (e.g., inside surfaces of slit **821**) to blood flow to facilitate clotting and aneurysm healing.

In one embodiment, SMP **811** fixedly adheres to backbone **810** when both are in their primary states and implanted in a patient. For example, an adhesive may couple SMP **811** to backbone **810** (possibly applied in a thin layer over backbone **810**). Such adhesives include, for example, epoxy, urethane, acrylate, methacrylate, urethane acrylate, and the like. Options include adhesives that function either through mechanical adhesion and/or chemical adhesion (e.g., covalent, ionic, polar, or Vander Waals coupling forces). For example, a urethane adhesive may be useful due to its ability to chemically bond to both SMP **811** and backbone **810** (which includes a metal surface in some embodiments). In another embodiment, the adhesive could be SMP **811** itself so SMP fixedly adheres directly to backbone **810**. For example, a urethane SMP may adhere directly to backbone **810** without need for an adhesive layer coupling SMP **811** to backbone **810**. In other words the urethane of a urethane SMP may provide for coupling to the backbone without an additional adhesive layer because the "wet" urethane functions as an adhesive. In another embodiment, SMP **811** includes a thermoplastic SMP adhesive obtained by heating backbone **811** to the melting point of SMP **811** such that SMP **811** wets backbone **810** and develops a direct bond between SMP **811** and backbone **810**. In an embodiment, adhering a cured polymer foam (e.g., the SMP to be used to embolize the aneurysm) to a backbone may be done with a liquid thermoset SMP. The thermoset may be of the same type of foam as the embolizing foam. Thus, a first layer of SMP adheres to the backbone and then another layer of SMP adheres to the first SMP. The first layer (the thermoset) could be slightly different (e.g., a different Tg) from the second

layer SMP and could have additives that benefit the application (e.g., radio opaque particles like tungsten).

In another embodiment, backbone **810** may be sufficiently bonded or fixed to SMP **811** through mechanical friction. The basis for the friction force is the friction between SMP **811** and backbone material **810** and the normal stress applied by previously stretched material (such as a axially stretched SMP in its secondary state). Above SMP embodiments that fixedly adhere directly to backbone **810** (when both are in their primary states when implanted in a patient) contrast with, for example, hydrogels that are not adhesive (especially not when “wet” as is the case when implanted in a patient).

FIGS. **10** (a) and (b) include embodiments similar to FIG. **8** in that SMP **850**, located on backbone **851** which is coupled to pusher elements **864**, is monolithic and comprised of portions **861**, **862**, **863**; none of which are completely severed from one another. Joints **852**, **853** allow portions **861**, **862**, **863** to pivot with regard to one another. Pivoting may be facilitated considering portion **862** includes a face that tapers from a relatively thinner proximal portion **854** to a relatively thicker distal portion **855**. The tapering may facilitate the ability to retract foam **850** back into a catheter if, for example, SMP **850** is properly placed in an aneurysm but then becomes improperly placed outside the aneurysm. If SMP **850** has already begun to expand the tapered portions facilitate retracting the SMP back into the catheter.

FIG. **11** includes process **1100** in an embodiment of the invention. Block **1105** provides a system comprising a backbone (the backbone being coupled to a pusher wire and including primary and secondary states) and a catheter. A SMP, which covers a majority of the backbone, may be deployed within the catheter. The SMP may be a monolithic SMP including: (a) primary and secondary states, (b) first and second portions, and (c) a first joint located between the first and second portions.

Block **1110** includes advancing the system through a patient’s vasculature, using a pusher wire that is coupled to the backbone. For example, the catheter may be placed in the aneurysm and then the backbone/SMP are advanced through the catheter. While doing so, the monolithic SMP and the backbone are both in their respective secondary states, and the first and second portions are generally collinear with one another.

Block **1115** includes deploying the first joint from the catheter and into the patient. Block **1120** includes withdrawing the deployed first joint from the patient and back into the catheter. Block **1120** may be necessary if the SMP becomes misplaced. Various configurations, such as the configuration of FIGS. **8**, **9**, **10**, may facilitate the ability to withdraw the jointed sections back into the catheter.

Block **1125** includes locating the monolithic SMP and the backbone, both in their respective primary states, in an aneurysm, the first and second portions being non-collinear with one another based on the first portion pivoting about the joint relative to the second portion.

FIGS. **9A-B** include an embodiment having a flexible SMP **836**. Specifically, backbone **834** includes primary and secondary states. SMP portions **831**, **832** collectively cover a majority of the backbone that couples to pusher element **835**. Portions **831**, **832** each include primary and secondary states. Joint **833** is located between portions **831**, **832**. In a first configuration (FIG. **9(a)**) portions **831**, **832** and backbone **834** are all in their respective secondary states and configured to be advanced through vasculature. In a second configuration (FIG. **9(b)**) portions **831**, **832** and backbone

834 are all in their respective primary states and configured to all be included in an aneurysm. In the second configuration portion **831** pivots about joint **833**, with respect to portion **832**, when portions **831**, **832** and backbone **834** are all in their respective primary states. At least part of portion **831** is flush against at least part of portion **832** when in the first configuration. In FIG. **9(a)** portions **831**, **832** are completely flush against each other. This portion **831** face being flush to a portion **832** face may facilitate deployment of the SMP portions through a catheter or sheath. This may also facilitate withdrawal of the SMP portion **831**, **832** back into the catheter or sheath if the portions are misplaced (e.g., in a parent artery).

FIG. **9(a)** only shows two portions but certainly more portions and more joints may be included. In an embodiment, portions **831** and **832** are completely severed from one another. However, in another embodiment portions **831**, **832** are not completely severed from one another and instead are part of a single monolithic SMP. Such an embodiment may include a deep cut to form joint **833**. The cut may be deep but not surround backbone **834** by 360 degrees and/or may not extend all the way to backbone **834**. Either or both of portions **831**, **832** may be fixedly coupled to backbone **834**. However, one or both of portions **831**, **832** may be non-fixedly coupled (e.g., slidably coupled) to backbone **834**.

An embodiment includes a system comprising a backbone including primary and secondary states; and a monolithic SMP covering a majority of the backbone. The SMP includes first and second portions. The SMP pivots the first portion about the second portion when the monolithic SMP and the backbone are both in their respective primary states and also when the monolithic SMP and the backbone are both in their respective secondary states. Thus, in one embodiment the backbone and SMP may include a stiffness configured to allow flexibility and pivoting when traversing the patient’s vasculature. However, the stiffness may still be such that when the backbone and SMP are in their primary states (e.g., when deployed into an aneurysm and expanded) the portions of the SMP may pivot about one another as the backbone takes its shape (e.g., helical shape) and/or the elements expand. In such a situation the SMP may not necessarily include joints such as those found in FIGS. **8**, **9**, and **10**. Instead, the SMP may, for example, be in the shape of a simple solid cylinder that runs along a majority of the backbone. The backbone may be centered within the cylinder. FIG. **2(f)** includes an example of a jointless SMP that covers a majority (>50%) of a backbone.

The SMP foam elements described herein may be cylindrical, ellipsoidal, spherical, diamond or other shape in their expanded form. The expandable foam elements may be identical or may have different shapes, sizes, and/or spacing within a single device. For example, different portions of a single SMP may have different shapes (such as portions **861** and **862** of FIG. **10(a)**). This also applies to devices with several different foams in a single device (e.g., FIG. **2(a)**).

As shown above, a device may contain any number of foam elements (FIG. **2(c)**), including a single foam element along the entire length (or a majority of the length) of the carrier element (FIG. **2(f)**). The shape of the single foam element may be patterned to retain flexibility in the compressed state while permitting retraction back into the microcatheter after expansion. This patterning may include the use of joints as described in regards to FIGS. **8-10**. Another example of patterning is to include alternating diamonds of foam. In a given length of the SMP there may be two diamonds on opposite sides. The adjoining sections, both proximal and distal (to non-terminal segments) have two

diamonds rotated by 90 degrees with the axial points of the diamonds overlapping. A similar pattern may be applied in the case of multiple foam elements.

Some embodiments may avoid or limit axially abrupt changes in diameter/materials along the length of the device that could catch on the edge of the microcatheter during retraction (e.g., FIG. 10).

In one embodiment, the expandable foam elements are spaced along a single carrier element extending axially through all the expandable foam elements. The carrier element may be comprised of a wire filament (e.g. Nitinol), a GDC-like wound wire coil, or a combination of both. Alternatively, the carrier element may be a polymer strand, and specifically may be a SMP. The carrier element may assume a straightened form during endovascular delivery through a microcatheter. The carrier element may assume a helical or other complex 3D shape when delivered out of the microcatheter and into the aneurysm. The expandable foam elements may be bonded to the carrier element to maintain their spacing. The spaces between expandable foam elements may be occupied by cylindrical flexible spacer elements having the same outer diameter as the foam elements in their compressed form. The flexible spacer elements may be wire coils (see above), SMP foam, or other flexible material. In another embodiment, the carrier element may consist of alternating straight and coiled sections with the expandable foam elements placed over the straight sections and the coiled sections serving as spacers (See FIG. 4).

The expanded foam in various embodiments acts a scaffold for clot formation within the open celled SMP structure. The scaffold nature of the foam may work with the body's healing response to initially clot, endothelialize the neck of the aneurysm, and, finally, remodel the clot with extra cellular matrix (including collagen). Throughout this healing process, the SMP scaffold stabilizes the treated aneurysm and permits the natural healing process to occur. In contrast, metallic coils provide minimal support to the large volume of clot that surrounds them (clots typically make up 60-90% of the total aneurysm volume), and hydrogels block out clotting and normal healing with their small pore structure. The scaffold nature of the foams is beneficial in healing of aneurysms.

The SMP foam may expand spontaneously upon delivery into the aneurysm (e.g. $T_g \leq$ body temperature) or may require an external energy source to achieve expansion (e.g., laser heating, resistive heating, heated fluid flush, inductive heating, and the like). If an external energy source is used, the device may be retracted back into the microcatheter if necessary prior to expansion. In one embodiment, the carrier element serves as a resistive heater by passing a current through the carrier element (See FIG. 5).

In an embodiment, all or part of the carrier element is comprised of magnetic material and is heated inductively by an external magnetic field. In an embodiment, the expandable foam elements are doped with magnetic particles and heated inductively by an external magnetic field. In an embodiment, a flexible fiber optic light diffuser is positioned inside the carrier element (e.g., FIGS. 6, 7); the carrier element absorbs the laser light and is heated, which in turn heats the expandable foam elements. In an embodiment, the expandable foam elements are doped with laser absorbing dye or particles and a flexible fiber optic light diffuser serves as the carrier element (FIGS. 6, 7); the doped expandable foam elements absorb laser light and are heated.

In the case of a heated carrier element comprised of a polymer strand, the polymer strand may be doped with conductive particles (e.g. carbon, metallic, etc.) distributed

to form a current path for resistive heating of the polymer strand. Alternatively, the polymer strand may be doped with magnetic particles for inductive heating or laser absorbing dye/particles for laser heating.

A degradable membrane may be used to encapsulate/restrain the compressed foam elements during endovascular delivery, facilitating transport through the microcatheter and retraction back into the microcatheter if placement in the aneurysm is not satisfactory. The membrane may be comprised of a water or blood soluble/degradable polymer, thermally degradable polymer, or otherwise degradable material. Thermal degradation may be accomplished spontaneously at body temperature or at higher temperature by a heated fluid flush or other heating mechanism (e.g., laser heating, resistive heating, electromagnetic heating, or inductive heating). The membrane may be applied over the compressed expandable foam elements by dip-coating or other suitable means, or the membrane may be a tubular form in which the compressed device can be inserted. Bioactive (e.g. clotting) agents may be incorporated into any part of a device, including the expandable foam elements, the carrier element or linking elements, or the degradable restraining membrane, to enhance the healing response.

Above much discussion has been made regarding various malformation filling devices (e.g., SMP foam) that are implanted in a patient. Discussion now turns towards devices and systems for implanting malformation filling devices (e.g., SMP devices).

An embodiment provides a system for endovascular delivery of an expandable implant to embolize an aneurysm. FIG. 12 includes an embodiment comprising microcatheter 1220, lumen-reducing collar 1225 coupled to the distal tip of microcatheter 1220, flexible pushing element 1205 detachably coupled to an expandable implant (e.g., SMP foam), and flexible tubular sheath 1215 inside of which the compressed implant and pushing element are pre-loaded.

By preloading the SMP implant within the sheath, the sheath can more easily slide within the microcatheter (along with the SMP inside the sheath) than would be the case if the SMP foam were to be forced to slide along the inside of the microcatheter (i.e., with no sheath buffer between the foam and the stationary microcatheter that has already been located in the aneurysm before the implant is introduced into the patient). Sliding the SMP foam along the inside of the catheter may be difficult considering the friction between the microcatheter and the SMP foam. Thus, the flexible tubular sheath facilitates transport of the compressed expandable implant through the microcatheter. In one embodiment, by advancing the flexible tubular sheath out of the microcatheter with the expandable implant still inside the sheath, the flexible tubular sheath provides the ability to assess the stability of the microcatheter position prior to deployment of the expandable implant, which potentially may not be retracted once deployed. If the microcatheter moves out of proper position while the flexible tubular sheath (with the compressed expandable implant still inside) is advanced beyond the distal tip of the microcatheter, the sheath can be retracted to allow re-positioning of the microcatheter. Also, the flexible tubular sheath may be used to restrain the compressed expandable implant. In conventional systems the compressed implant is restrained solely by the microcatheter itself.

Using standard fluoroscopic interventional techniques, the distal tip of the microcatheter is positioned in the neck of the aneurysm. The flexible tubular sheath 1215 (containing the flexible pushing element 1205 and an expandable implant) is passed through the microcatheter until it is

stopped by lumen-reducing collar **1225**. Flexible pushing element **1205** is then advanced distally until the expandable implant emerges from flexible tubular sheath **1215** and is delivered into the aneurysm. Finally, the expandable implant is detached from flexible pushing element **1205** using suitable means (electrical, mechanical, optical, and the like) coupled to the system.

FIG. **13** includes stages of delivery for one embodiment of the invention. FIG. **13(a)** includes pushing element **1305** pushing implant **1306** along with (i.e., simultaneously) sheath **1315**, all within microcatheter **1320**. Expandable implant **1306** is contained inside flexible tubular sheath **1315**. FIG. **13(b)** shows collar **1325** blocking sheath **1315** while implant **1306** continues to be pushed by pushing element **1305**. Implant **1306** is pictured moving while sheath **1315** is stationary. In other words, pushing element **1305** and flexible tubular sheath **1315** are advanced through microcatheter **1320** until the sheath is stopped by lumen-reducing collar **1325**. The pushing element continues to advance causing the expandable implant to emerge from the sheath and the microcatheter. FIG. **13(c)** shows pushing element **1305** near the distal end of catheter **1320**, with implant **1306** deployed from catheter **1320** and decoupled from pusher element **1305**.

Returning to FIG. **12**, manual clamping fixture **1211** (e.g., O-ring compression fitting) is included on the proximal end of microcatheter **1220** to fix the position of inner flexible tubular sheath **1215**. Second manual clamping fixture **1210** is incorporated on the proximal end of flexible tubular sheath **1215** to fix the position of inner pushing element **1205**. The clamping fixtures can be opened to allow movement of the inner components as necessary.

Thus, FIG. **12** provides an apparatus for endovascular delivery of an expandable implant into an aneurysm. The lumen-reducing collar at the distal tip of the microcatheter stops the flexible tubular sheath, in which the pushing element and expandable implant are pre-loaded, while allowing the expandable implant to exit the microcatheter. The clamping fixture at the proximal end of the microcatheter may be used to fix the position of the flexible tubular sheath. The clamping fixture at the proximal end of the flexible tubular sheath may be used to fix the position of the pushing element.

In one embodiment one or more radiopaque markers (e.g., platinum bands) are incorporated into the distal portion of microcatheter **1220** to facilitate navigation under fluoroscopy. Lumen-reducing collar **1225** may serve as one of the markers. Pushing element **1205** may be entirely radiopaque to enable fluoroscopic visualization of its position. Flexible tubular sheath **1215** may not be 100% radio-opaque so it does not obscure the pushing element. The expandable foam element(s) themselves may be radio-opaque by incorporating radio-opaque elements (atomically or as particles) into a polymer used for the foam during the foam formulation process. The backbone and/or linking elements (see FIG. **2(b)**) may also be radio-opaque.

As indicated above and as indicated in FIG. **13**, a purpose of flexible tubular sheath **1315** is to allow pre-loading of compressed expandable implant **1306** within sheath **1315**. This removes the need to pass compressed expandable implant **1306** through the entire length of microcatheter **1320** with no buffer between foam **1306** and catheter **1320**. Because in one embodiment the compressed expandable implant **1306** is pre-loaded at the distal end of flexible tubular sheath **1315**, its deployment into the aneurysm only

requires pushing it (in relation to sheath **1315**) a relatively short distance (e.g., length of the compressed expandable implant).

Further regarding FIG. **13**, lumen-reducing collar **1325** may serve to prevent (1) flexible tubular sheath **1315** from exiting microcatheter **1320**, and (2) axial stretching of flexible tubular sheath **1315** as pushing element **1305** is advanced to deliver expandable implant **1306**.

FIG. **14** includes various embodiments for a sheath in an embodiment of the invention. Flexible tubular sheath **1415** may include metal round wire coil **1416**, metal ribbon (flat) wire coil **1417**, and the like.

In an embodiment, a flexible tubular sheath may be comprised of multiple sections, each section decreasing in stiffness from proximal to distal. For example, a two-section sheath may be comprised of a proximal solid metal tube and a distal metal ribbon wire coil. A thin polymer coating may be applied over the metal to inhibit axial (i.e., lengthwise) stretching of the coil. As another example, the sheath may include an intermediate portion centrally located between a proximal end portion of the sheath and the distal end portion of the sheath, and the distal end portion of the sheath may be more flexible than the intermediate portion of the sheath.

FIG. **15** includes an embodiment having a stop collar. In FIG. **15 (a)** the flexible tubular sheath has been partially advanced. In FIG. **15 (b)** the flexible tubular sheath has reached maximum advancement. The stop-collar may mitigate the potential inability to recapture the expandable implant after it has emerged from the flexible tubular sheath. A stop-collar is positioned on the flexible tubular sheath such that the sheath may advance a fixed distance before or beyond the distal tip of the microcatheter. For example, stop-collar **1525** is located on the outside of the proximal end of flexible tubular sheath **1515** such that sheath **1515** cannot advance beyond the distal tip of the microcatheter **1520** (see FIG. **15(b)**) due to cinching element **1511**. If flexible tubular sheath **1515** is constructed such that it is not susceptible/not highly susceptible to axial stretching (e.g., polymer-coated metal wire coil), the need for lumen-reducing collar **1325** (as shown in FIG. **13**) may be diminished. Similarly, a stop-collar may be located on pushing element **1505** (to interface cinching element **1510**) such that the detachment point between pushing element **1505** and an expandable implant is near the distal end of flexible tubular sheath **1515** after the expandable implant is delivered into the aneurysm lumen.

Thus, in one embodiment a stop-collar on a flexible tubular sheath may be used instead of a lumen-reducing collar at the distal tip of the microcatheter. The lumen-reducing collar, stop collar, or combinations thereof may all prevent advancing the sheath from extending beyond (fully or partially) the distal tip of the microcatheter.

FIG. **16** includes an embodiment for repositioning a misplaced system. As addressed above in regards to FIG. **12**, the sheath allows for repositioning a misplaced system. Along these lines, FIGS. **16(a)-(c)** depict locating guide wire **1601** and then microcatheter **1620** within an aneurysm. Flexible tubular sheath **1615** and its contents (e.g., expandable implant and detachably coupled flexible pushing element) are advanced through microcatheter **1620**. More specifically, in FIG. **16 (a)** the guide wire is advanced into the aneurysm; in FIG. **16 (b)** the microcatheter is advanced along the guide wire into the aneurysm; and in FIG. **16 (c)** the guide wire is withdrawn. In FIG. **16(d)** microcatheter **1620** moves out of the aneurysm neck during advancement of flexible tubular sheath **1615**, and sheath **1615** is mistakenly advanced into the parent artery instead of the aneurysm

lumen. For example, the flexible tubular sheath (containing the expandable implant) is passed through the microcatheter and improperly advanced into the parent vessel instead of the aneurysm due to instability of the microcatheter.

To remedy the situation sheath **1615** and its contents are retracted back into microcatheter **1620** and fully withdrawn from catheter **1620**. Then guide wire **1601** is re-inserted and repositioned in the aneurysm, followed by repositioning catheter **1620** along the guide wire in the aneurysm (FIGS. **16(e)** and **(f)**). The guide wire is withdrawn and the flexible tubular sheath **1615** (containing the expandable implant) is passed through the microcatheter and properly advanced into the aneurysm (FIG. **16(g)**). In FIG. **16(h)** one or more embolizing elements (e.g., SMPs) are deployed and the backbone/pusher rod coupling is severed in FIG. **16(i)** (i.e., the expandable implant (e.g., backbone) is detached from the pushing element (e.g., pusher rod) and the remainder of the apparatus is withdrawn).

Thus, if the microcatheter moves out of the aneurysm neck after the flexible tubular sheath has been advanced slightly into the aneurysm lumen, and the sheath is still inside the aneurysm lumen, the microcatheter may be repositioned in the aneurysm neck if necessary, using the protruding sheath as a guide wire. If the microcatheter position is stable following slight advancement of the flexible tubular sheath into the aneurysm lumen, the flexible pushing element may then be advanced distally until the expandable implant emerges from the flexible tubular sheath and is delivered into the aneurysm. The expandable implant is then detached from the flexible pushing element. In the embodiment of FIG. **16**, the flexible tubular sheath is constructed such that it is not susceptible to axial stretching (e.g., polymer-coated metal wire coil).

FIG. **17** includes an embodiment with a sheath including apertures. Flexible tubular sheath **1715** may contain two or more axial slits (e.g., **1718**, **1719**) extending from the distal tip of the sheath to some point more proximal on the sheath. Slits **1718**, **1719** allow sheath **1715** to have members **1716**, **1717** that expand when advanced beyond the distal end of the microcatheter **1720**. This expansion reduces the friction between expandable implant **1706** and sheath **1715** as the implant is pushed out of the sheath. As another example, the sheath may include an opening, at the distal tip of the sheath, through which the unexpanded implant deploys. The sheath may also include one or more sidewall openings, cotermi- nous with the opening at the distal tip of the sheath, forming one or more branches that expand after deployment from the microcatheter. Including only a single sidewall opening may still allow sufficient expansion to accommodate retrieving the foam (expanded or unexpanded) back into the sheath. In an embodiment, the foam may then be withdrawn back into the catheter.

In an embodiment the flexible tubular sheath may be comprised of a degradable material that is water and/or blood soluble, pH sensitive, and the like. The pushing element may comprise a detachment mechanism to sever or cut the sheath after it is pushed into the aneurysm. The sheath may then degrade within minutes allowing the expandable implant to fully deploy.

In one embodiment, an attachment element exists between the pushing element and expandable implant. The attachment element can be used to pull back, or retrieve, a partially delivered expandable implant. The attachment element can be heated via applied energy (e.g., optical or electric energy) to induce detachment of the expandable implant. The applied energy can also be used to expand the expandable implant prior to detachment at the discretion of

the operator (e.g., in the case where the expandable implant requires external energy to induce expansion).

An embodiment of the attachment element includes a polymer section doped with conductive particles. The conductive particles can be selectively heated to heat the attachment element using, for example, electrical current delivered via wires inside the pushing element. If only detachment of the expandable implant is desired, the doping particles (e.g., carbon and/or metallic particles) are distributed throughout the attachment element. If combined expansion and detachment of the expandable implant is desired, the doping particles may be localized so as to make conductive paths between the wires in the pushing element and wires (and/or conductively doped polymer) in the expandable implant.

Again regarding FIG. **13**, one embodiment includes a system comprising an unexpanded implant having a maximum outer diameter (**D1**); a flexible hollow sheath, including a maximum outer diameter (**D3**), with the unexpanded implant pre-loaded in a distal end portion of the sheath; a flexible hollow microcatheter including a body having a maximum inner diameter (**D4**); and a collar, coupled to the microcatheter, having a maximum inner diameter (**D2**). The maximum inner diameter of the microcatheter body (**D4**) is greater than the maximum outer diameter of the sheath (**D3**). The maximum outer diameter of the sheath (**D3**) is greater than the maximum inner diameter of the collar (**D2**). The maximum inner diameter of the collar (**D2**) is greater than the maximum outer diameter of the unexpanded implant (**D1**). Based at least in part on **D1**, **D2**, **D3**, **D4**, the sheath and pre-loaded unexpanded implant may simultaneously advance within the microcatheter. Advancement of the sheath is eventually halted by the collar. Also, the unexpanded implant may advance past the collar and the halted sheath and into a patient.

In an embodiment, the sheath may be stretchable along its long axis. However, the collar may block advancement of the sheath and lessen axial stretching of the sheath when deploying the unexpanded implant from the sheath.

In an embodiment, the sheath, when deployed from the microcatheter, (a) prevents the unexpanded implant from expanding, and (b) permits the unexpanded implant, located within the sheath, to be retracted back into the microcatheter after having been deployed from the microcatheter.

In an embodiment, the maximum outer diameter of the sheath is located proximal to the distal end portion of the sheath. In such a case, distal portions of the sheath may be allowed past (or distal) the collar. The more proximally located maximum diameter of the sheath may eventually be stopped by the collar, but not until after the distal portion of the sheath has extended past the collar and past the tip of the microcatheter.

In an embodiment the microcatheter and the collar are monolithic with one another (e.g., formed from a single mold). Doing so may help ensure the collar does not separate from the catheter when the implant (e.g., foam) is pushed out from the catheter and into the patient. Also, the collar may include a circular opening from which the unexpanded implant is deployed. However, other shapes are possible (e.g., ovalar).

Also, in an embodiment the unexpanded implant is pre-loaded near the distal end portion of the sheath before the sheath is deployed into the microcatheter. This may shorten the distance that the implant may need to be pushed while the sheath is stationary. In other words, if resistance based on the foam is high then deployment of the foam is facilitated

by shortening the distance the foam must travel (while pushing against side walls of the sheath) while the sheath is stationary.

In an embodiment, the unexpanded implant comprises a SMP having a glass transition temperature (T_g) less than 100 degrees Fahrenheit. Such an SMP may expand to its primary shape based on body temperature.

An embodiment includes a SMP that covers a majority of the backbone and is greater than 5 cm in length. However, other lengths including 3, 4, 6, 7, 8, 9 cm and the like are included in other embodiments.

In an embodiment a retainer (that stops sheath advancement) may be located proximal to the proximal tip of the microcatheter when the implant advances past the distal tip of the halted sheath and into a patient. Such a retainer may be a collar located proximal to the distal end of a catheter. The retainer may be similar to collar **1325**, clamps **1210** and **1211**, collar **1525**, and the like.

An embodiment includes a sheath that (a) prevents the implant from expanding, and/or (b) permits the implant, while located within the sheath, to be retracted back into the catheter after having been deployed from the catheter.

An embodiment includes a sheath that is configured so, when deployed from the catheter, the sheath permits the already expanded implant to be retracted back into the sheath, compressed within the sheath, and then retracted back into the catheter.

Another embodiment includes a method comprising: providing an expandable implant, a flexible hollow sheath, a flexible hollow catheter, and a retainer coupled to the catheter. A user may insert the catheter, sheath, and implant into a patient and then (a) simultaneously advance the sheath and the implant within the catheter until the sheath is halted by the retainer; and (b) advance the implant past the retainer, out from the sheath, and into the patient. In one embodiment, the simultaneous advancement is fostered by the implant being loaded in the sheath before inserting the sheath into the patient.

An embodiment may allow (after advancing the implant into the patient and expanding the deployed implant) simultaneously retracting the expanded implant and the sheath back into the catheter. This may be facilitated based on the modulus of the expanded implant (i.e., the stiffness of the expanded implant may be such that it can be withdrawn into the sheath and/or catheter). The method may further allow compressing the expanded implant within the sheath based on retracting the sheath back into the catheter.

In one embodiment, the microcatheter may include an inner diameter of approximately 0.483 mm and the SMP may include a volume expansion of 80x. A 10 mm diameter aneurysm may require more than a single piece of foam. As described above, several embodiments including one or more expansion elements are disclosed. One such embodiment includes a SMP foam formed over a wire backbone with a 3D form. Depending on the 3D geometry of the wire backbone, one SMP foam may adequately fill the aneurysm with a single deployment. However, in other embodiments one may apply a "Russian doll" method that requires multiple (e.g., 2, 3, or more) deployments using devices with successively smaller 3D geometries. In addition, in an embodiment one may initially deploy a standard 3D "framing" coil followed by any of the various embodiments described herein. Also, any of the various embodiments described herein may serve as a framing structure followed by deployment of coils (e.g., GDCs).

One embodiment includes a SMP foam on a wire (e.g. Nitinol, platinum) backbone that is delivered into an ana-

tomical void (e.g., aneurysm). For example, a polymer coated (to bond with foam) wire backbone (0.050 mm diameter) with 3D primary form or state (e.g., about 10-20 cm long in straight form). The embodiment may include a SMP foam with 80x volume expansion (e.g., about 9x radial expansion with expanded diameter of about 4.5 mm); expansion at body temperature; cylindrical sections (e.g., each about 1 to 5 mm long) bonded to wire backbone. The sections would provide flexibility in collapsed form. There may be a compressed outer diameter of about 0.33 mm and an expanded diameter of about 2.9 mm. Other embodiments include varying expansion capacities such as, for example, 20x, 40x, 60x (expanded diameter of about 3.9 mm), 100x and the like. Embodiments may include SMPs with varying T_g such as 37, 39, 41, 43 degrees Celsius.

An embodiment may include a microcatheter with a self-centering distal stop. The catheter may have the following dimensions: 2.0F; 0.667 mm outer diameter; 0.483 mm inner diameter. A distal stop (e.g., collar of FIG. **13**) halts sheath advancement as foam is pushed out. The distal edge of the collar may be rounded to facilitate retraction of expanded foam back into the sheath prior to detachment of the foam from the deployment system.

An embodiment may include a sheath that confines compressed foam for transport through a microcatheter. This sheath may include a flexible round wire or ribbon (flattened wire) coil, Teflon tube, and the like having dimensions such as, for example, 0.433 mm outer diameter and 0.333 mm inner diameter.

An embodiment may include a pusher to transport sheathed foam through a microcatheter and push compressed foam out of the sheath. A flexible guide wire (i.e., a pusher rod) may be used and may include a 0.333 mm diameter (pushable through sheath) having a step transition (e.g., collar or band of FIG. **13**) to prevent over pushing. The pusher may also include a mechanism to temporarily anchor the sheath to the pusher until the sheath reaches the distal stop (e.g., grooves on the pusher to accept rounded teeth on the proximal inner surface of the sheath). This may be used if the wire-foam is not attached to the pusher.

An embodiment may use a detachment mechanism (e.g., electrical) at the junction between the pusher and the wire-foam.

An embodiment may use a guide wire that serves as a pusher. The guide wire may be similar to commonly used guide wires. However, in another embodiment one such guide wire may include a floppy distal end, which once removed, may serve as the pusher. The confining sheath may be sized according to the pusher diameter. A detachment mechanism may not be included in all embodiments (i.e., the wire backbone may not be attached to the pusher).

In an embodiment, the foam may be compressed around the wire backbone without being bonded to the backbone. As a result, the foam may not be fixedly coupled to the backbone (e.g., the foam may be able to slide along the backbone) or it may be fixedly coupled to the backbone (e.g., the foam may be unable to slide along the backbone due to, for example, friction between the foam and backbone). In such scenarios the need to coat the wire or synthesize the foam around the wire may be unnecessary. Multiple foam cylinders may be threaded by hand over the bare wire.

Embodiments are not limited to cerebral aneurysms or even aneurysms for that matter. For example, embodiments may be used as implants to fill anatomic voids (e.g., foramen

ovale and the like). Embodiments are not limited to SMPs but may use other void filling systems such as other expandable embolizing systems.

While the present invention has been described with respect to a limited number of embodiments, those skilled in the art will appreciate numerous modifications and variations therefrom. It is intended that the appended claims cover all such modifications and variations as fall within the true spirit and scope of this present invention.

What is claimed is:

1. A system comprising:
 a metal wire that is coiled;
 a jointless monolithic cured first shape memory polymer (SMP) expandable open-cell foam, wherein the first SMP: (a)(i) is on the metal wire, and (a)(ii) includes primary and secondary states; and
 a second SMP including primary and secondary states; wherein: (b) in response to thermal stimulus the second SMP is configured to change from the second state to the primary state, (c) the first SMP is included in a first layer and the second SMP is included in a second layer, (d) the second SMP chemically bonds to both a metal surface of the metal wire and to the first SMP, (e) the second layer is directly between the metal wire and the first layer, and (f) the second SMP directly contacts both the metal surface and the first SMP.
2. The system of claim 1 wherein the first SMP completely surrounds the metal wire within a plane that is orthogonal to a long axis of the metal wire.
3. The system of claim 2 wherein the first SMP covers at least 50% of a total length of the metal wire.
4. The system of claim 1 comprising a pushing element detachably coupled to the metal wire.
5. The system of claim 4 comprising a flexible tubular sheath.
6. The system of claim 5 wherein the pushing element, the metal wire, the first SMP, and the second SMP are collectively included inside the flexible tubular sheath.
7. The system of claim 4 wherein the first SMP includes a thermoset SMP and the second SMP includes an additional thermoset SMP.
8. The system of claim 1 comprising a flexible tubular sheath.
9. The system of claim 8 wherein:
 the metal wire is included within the flexible tubular sheath;

the metal wire is configured to form a helical shape after removal from the flexible tubular sheath.

10. The system of claim 1 wherein the first SMP has a first glass transition temperature (Tg) and the second SMP has a second Tg, the second Tg being unequal to the first Tg.

11. A system comprising:
 a metal wire that is coiled;
 a jointless monolithic cured first shape memory polymer (SMP) expandable open-cell foam on the metal wire, the first SMP including primary and secondary states; and
 a second SMP including primary and secondary states; wherein (a) in response to thermal stimulus the second SMP is configured to change from the second state to the primary state, (b) the first SMP is included in a first layer and the second SMP is included in a second layer, (c) the second SMP is chemically bonded to both a metal surface of the metal wire and to the first SMP, (d) the second layer is directly between the metal wire and the first layer, and (e) the second SMP directly contacts both the metal surface and the first SMP.

12. The system of claim 11 wherein the first SMP covers at least 50% of the metal wire.

13. The system of claim 11 comprising a pushing element detachably coupled to the metal wire.

14. The system of claim 13 comprising a flexible tubular sheath, wherein the pushing element, the metal wire, the first SMP, and the second SMP are collectively included within the flexible tubular sheath.

15. The system of claim 13 wherein the pushing element is a wire.

16. The system of claim 11 wherein the first SMP includes a thermoset SMP.

17. The system of claim 16 wherein the second SMP includes an additional thermoset SMP.

18. The system of claim 11 wherein the first SMP has a first glass transition temperature (Tg) and the second SMP has a second Tg, the second Tg being unequal to the first Tg.

19. The system of claim 11 comprising a flexible tubular sheath.

20. The system of claim 19 wherein:
 the metal wire is included within the flexible tubular sheath; and
 the metal wire is configured to form a helical shape after removal from the flexible tubular sheath.

* * * * *