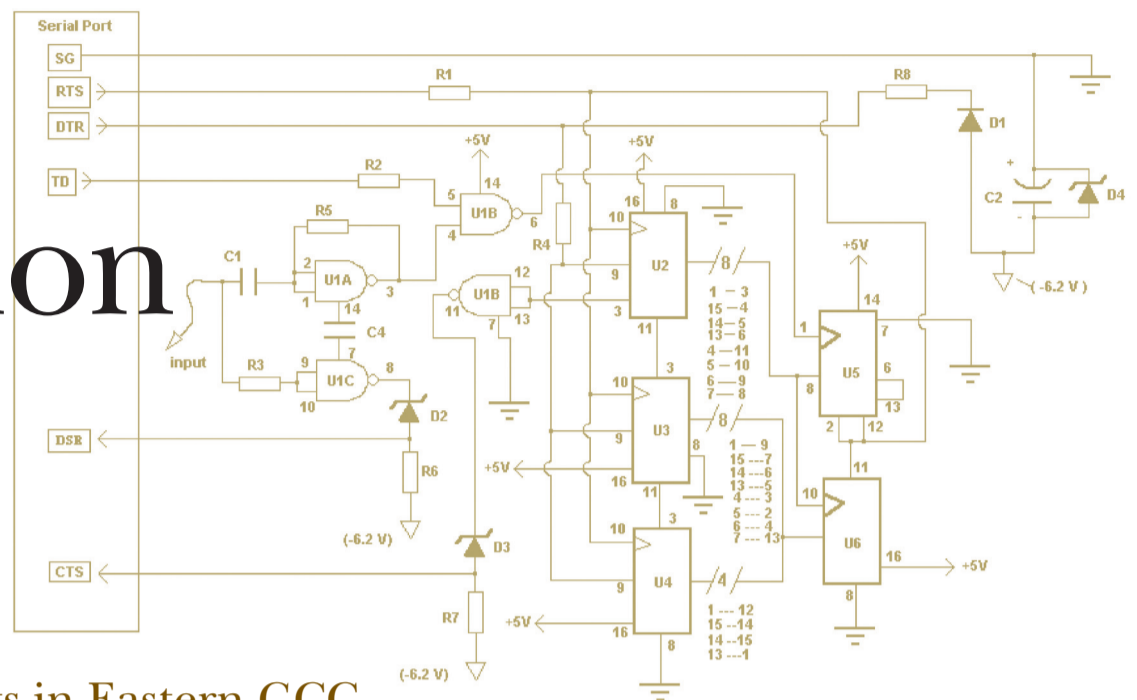


THE ELECTRICAL ENGINEERING PROGRAM CORDIALLY INVITES YOU TO

# Virtual Instrumentation Seminar

*By Hany Ayesh*

District Manager for National Instruments in Eastern GCC



Wednesday, March 12, 2008

4:00 p.m.

Lecture Hall 144

**H**any Ayesh, District Manager for National Instruments in Eastern GCC, will present an overview of the Virtual Instrumentation (VI) platform based on LabVIEW, a leading edge graphical programming language, and a wide range of modular and scalable hardware for data acquisition, automated test and control applications. Virtual Instrumentation is being widely used by scientists and engineers for teaching, research and industrial applications in domains like:

- Measurements and Instrumentation
- Distributed and Real-Time Control
- Embedded Systems, Control Design and Simulation
- Signal Processing and much more...

Deployed on desktop personal computers, real-time programmable automation controllers and FPGA's. Virtual Instrumentation is leading the way to numerous innovative and reliable solutions every day. With practical demos and case studies we will show how Virtual Instrumentation has become an indispensable and very effective toolset for world leading scientists and engineers.

**Hany Ayesh** was recently appointed District Sales Manager for National Instruments covering Eastern GCC countries. Prior to that, Hany worked for over 3 years at National Instruments in Texas and Boston helping NI's customers realize the benefits of virtual instrumentation with NI software and hardware products. Hany is a degreed Engineer with a Bachelor's and Master's degree in Mechanical Engineering from the University of Michigan - Ann Arbor. His technical interests include Vibration Analysis, Mechatronics, Data Acquisition, Embedded Systems, Machine Condition Monitoring and Advanced Signal Processing (Wavelets, JTFA).