



US00D649369S

(12) **United States Design Patent**  
**Benden**

(10) **Patent No.:** **US D649,369 S**

(45) **Date of Patent:** **\*\* \*Nov. 29, 2011**

- (54) **STUDENT DESK WITH STOOL**
- (75) Inventor: **Mark E. Benden**, College Station, TX (US)
- (73) Assignee: **The Texas A&M University System**, College Station, TX (US)
- (\*\*) Term: **14 Years**
- (21) Appl. No.: **29/377,178**

D501,741 S 2/2005 Risdall  
(Continued)

**OTHER PUBLICATIONS**

Safco Products, "Safco Catalog Page," obtained from <http://www.safcoproducts.com/>, generated Jul. 1, 2011.  
Safco Products, "Safco Catalog Page," obtained from <http://www.safcoproducts.com/>, generated Jul. 1, 2011.

(Continued)

*Primary Examiner* — Sandra Snapp  
(74) *Attorney, Agent, or Firm* — Wong, Cabello, Lutsch, Rutherford & Brucculeri, LLP

- (22) Filed: **Oct. 18, 2010**
- (51) **LOC (9) Cl.** ..... **06-01**
- (52) **U.S. Cl.** ..... **D6/338**
- (58) **Field of Classification Search** ..... D6/330, D6/335-338, 340, 349-355, 358, 359, 364, D6/366, 376, 491, 495, 500-502; 297/16.1, 297/39, 46, 135, 140, 156, 158.3, 158.4, 297/175, 177, 187, 195.1, 195.11, 211, 245, 297/423.1, 423.16, 445.1, 461, 462, 136, 297/170, 172, 174 F

(57) **CLAIM**  
The ornamental design for a student desk with a stool, as shown and described.

**DESCRIPTION**

This application is filed concurrently with U.S. Design Application entitled "Student Desk with Seat" by Mark E. Benden, which is incorporated herein by reference in its entirety. FIG. 1 is a perspective view of one embodiment of a student desk with a stool showing my new design. FIG. 2 is a front view thereof. FIG. 3 is a back view thereof. FIG. 4 is a right side view thereof. FIG. 5 is a left side view thereof. FIG. 6 is a top view thereof. FIG. 7 is a bottom view thereof. FIG. 8 is a perspective view of another embodiment of a student desk showing my new design. FIG. 9 is a front view thereof. FIG. 10 is a back view thereof. FIG. 11 is a left side view thereof. FIG. 12 is a right side view thereof. FIG. 13 is a top view thereof; and, FIG. 14 is a bottom view thereof. The broken line showing in FIGS. 3 and 7 is for illustrative purposes only and forms no part of the claimed design.

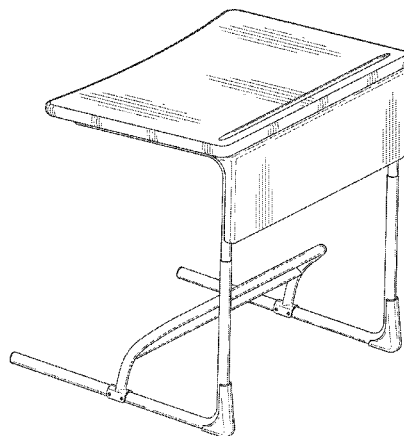
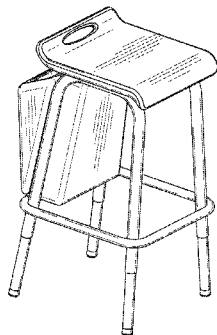
See application file for complete search history.

(56) **References Cited**

**U.S. PATENT DOCUMENTS**

D144,591	S	*	4/1946	Schutes	.....	D6/338
2,894,561	A	*	7/1959	MacKintosh	.....	297/172
4,382,643	A		5/1983	Heinrich		
4,383,486	A		5/1983	Reineman		
D272,496	S		2/1984	Kemp		
D283,563	S	*	4/1986	Arroyo	.....	D6/338
4,736,998	A	*	4/1988	Wilson et al.	.....	312/235.3
5,299,861	A		4/1994	Foliot et al.		
D376,931	S	*	12/1996	Fewchuk	.....	D6/425
D387,571	S	*	12/1997	Schweter	.....	D6/336
D401,438	S		11/1998	Acinapura et al.		
D429,579	S		8/2000	Lechman		
D437,506	S		2/2001	Lechman		
D438,401	S		3/2001	Lechman		
D440,069	S		4/2001	Lechman		
D470,349	S		2/2003	Risdall		
6,516,731	B1		2/2003	Park		
D474,356	S		5/2003	Bosman		
D496,537	S		9/2004	Monsalve		
D501,336	S	*	2/2005	Lin	.....	D6/429

**1 Claim, 11 Drawing Sheets**



U.S. PATENT DOCUMENTS

D507,710	S *	7/2005	Fletcher et al. ....	D6/487
D510,670	S *	10/2005	Glass et al. ....	D6/487
D521,770	S *	5/2006	Madison .....	D6/425
7,147,284	B2	12/2006	Mills et al.	
D546,097	S *	7/2007	Glass et al. ....	D6/487
D559,592	S *	1/2008	Glass et al. ....	D6/499
D578,324	S *	10/2008	Glass et al. ....	D6/495
D597,266	S *	7/2009	Simpson et al. ....	D30/199
D627,178	S *	11/2010	Adams et al. ....	D6/484
D630,030	S *	1/2011	Vu .....	D6/338
2009/0178596	A1	7/2009	Skiba	

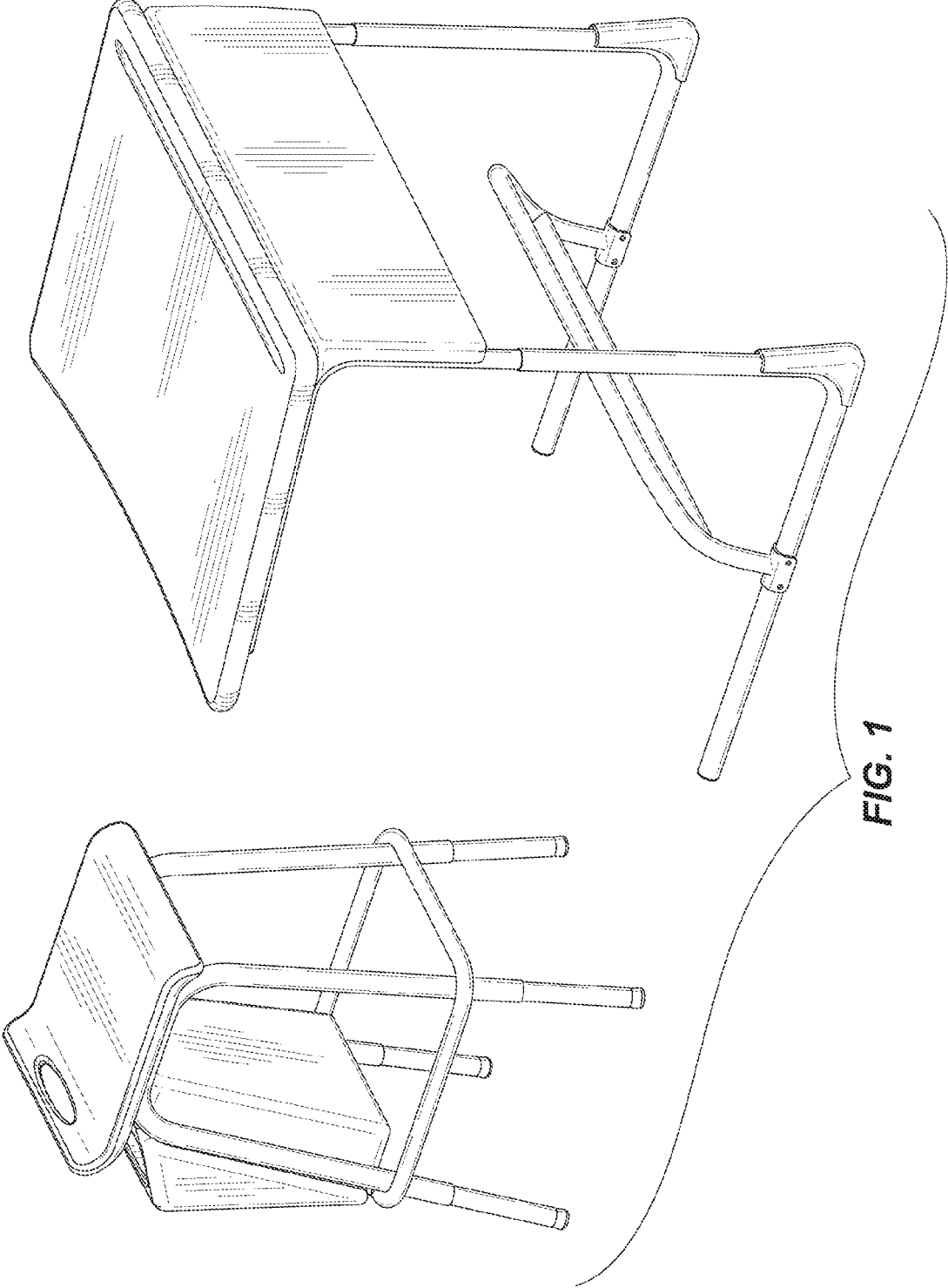
OTHER PUBLICATIONS

Ergoguys.Com, "AlphaBetter(TM) Standing Desk," obtained from <http://store.ergoguys.com/>, generated Jul. 1, 2011.

Ergoguys.Com, "AlphaBetter(TM) Standing Desk—with bookbox," obtained from <http://store.ergoguys.com/>, generated Jul. 1, 2011.

Ergoguys.Com, "AlphaBetter(TM) Adjustable Stool," obtained from <http://store.ergoguys.com/>, generated Jul. 1, 2011.

\* cited by examiner



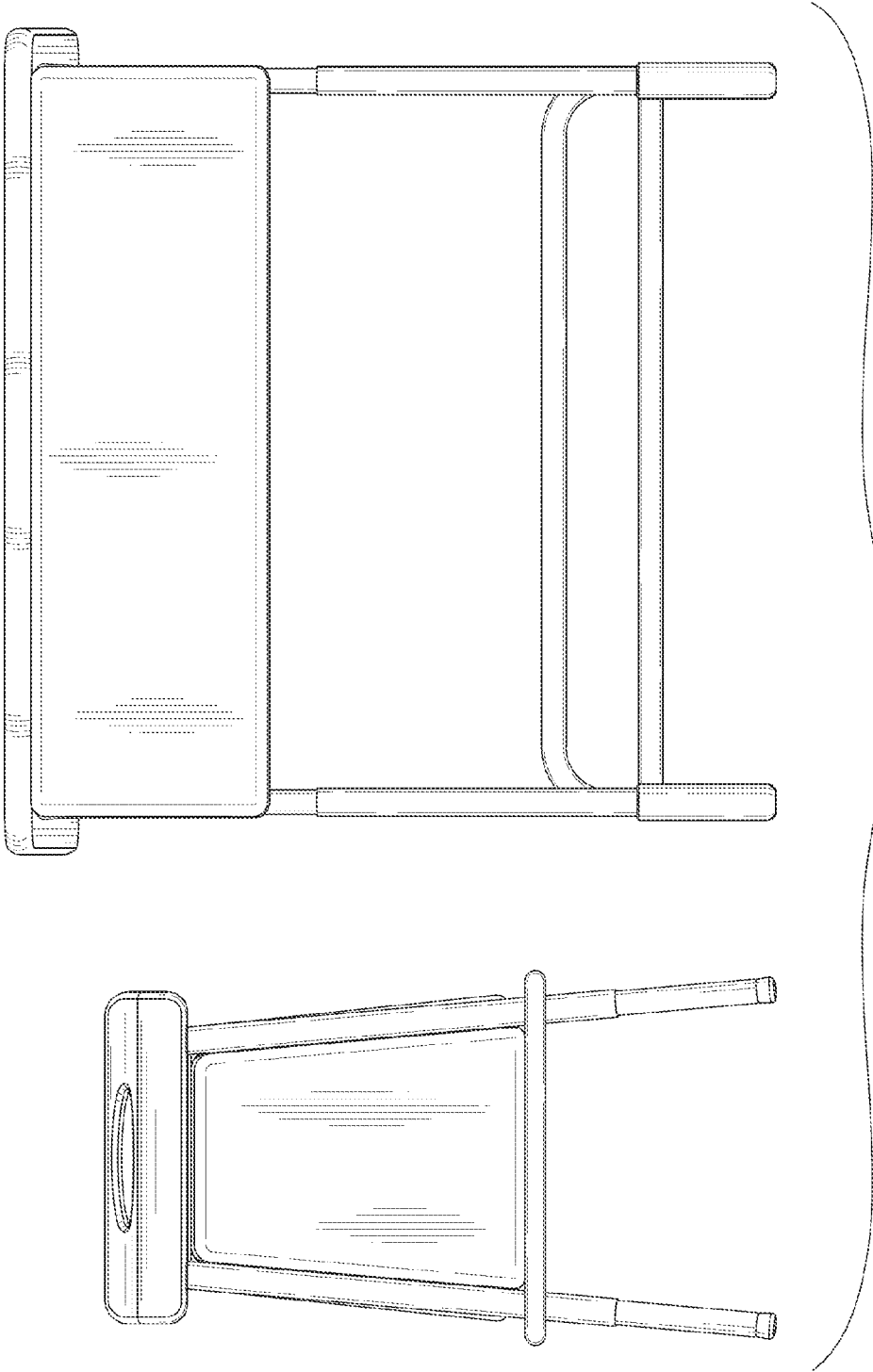


FIG. 2

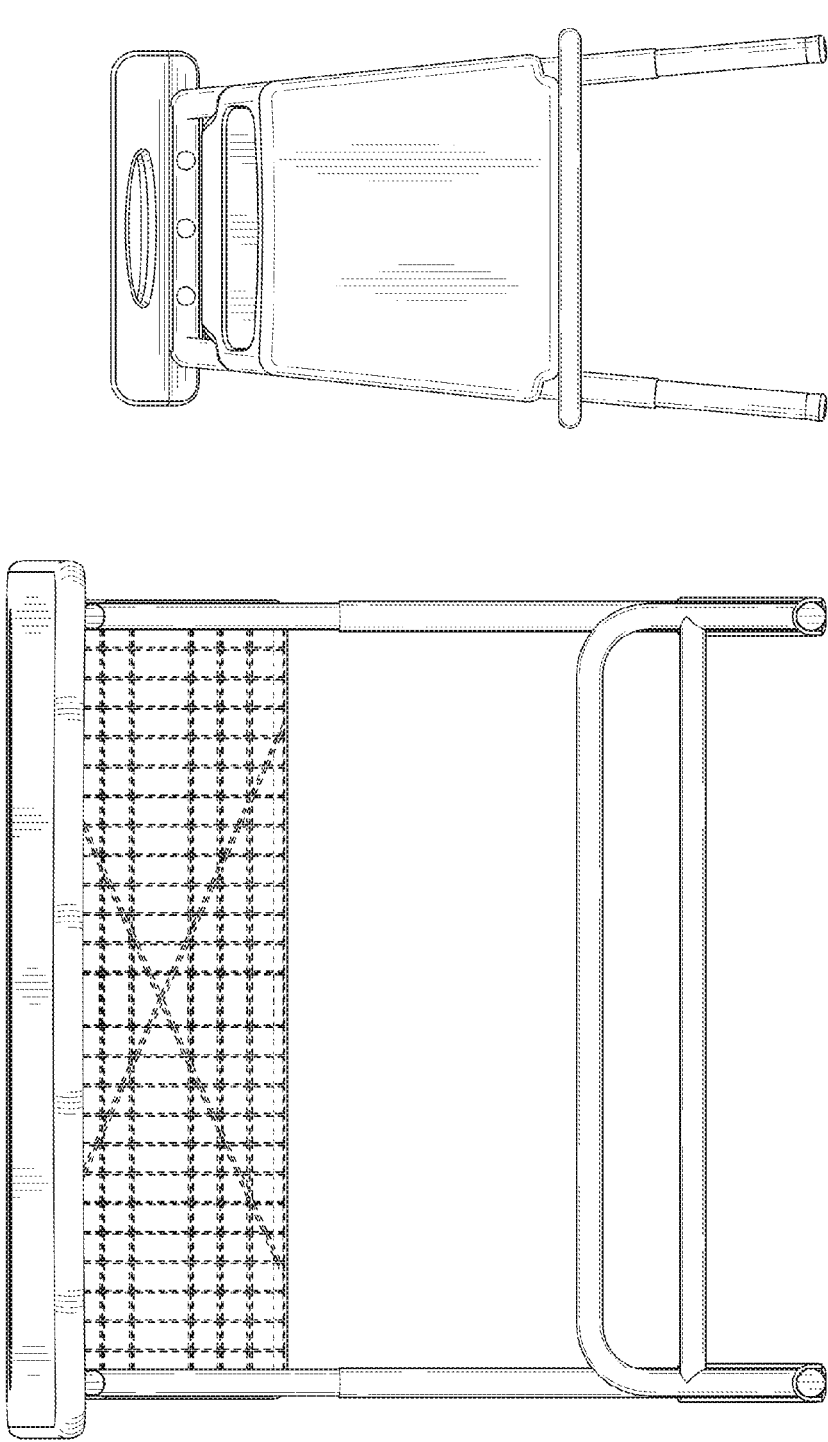


FIG. 3

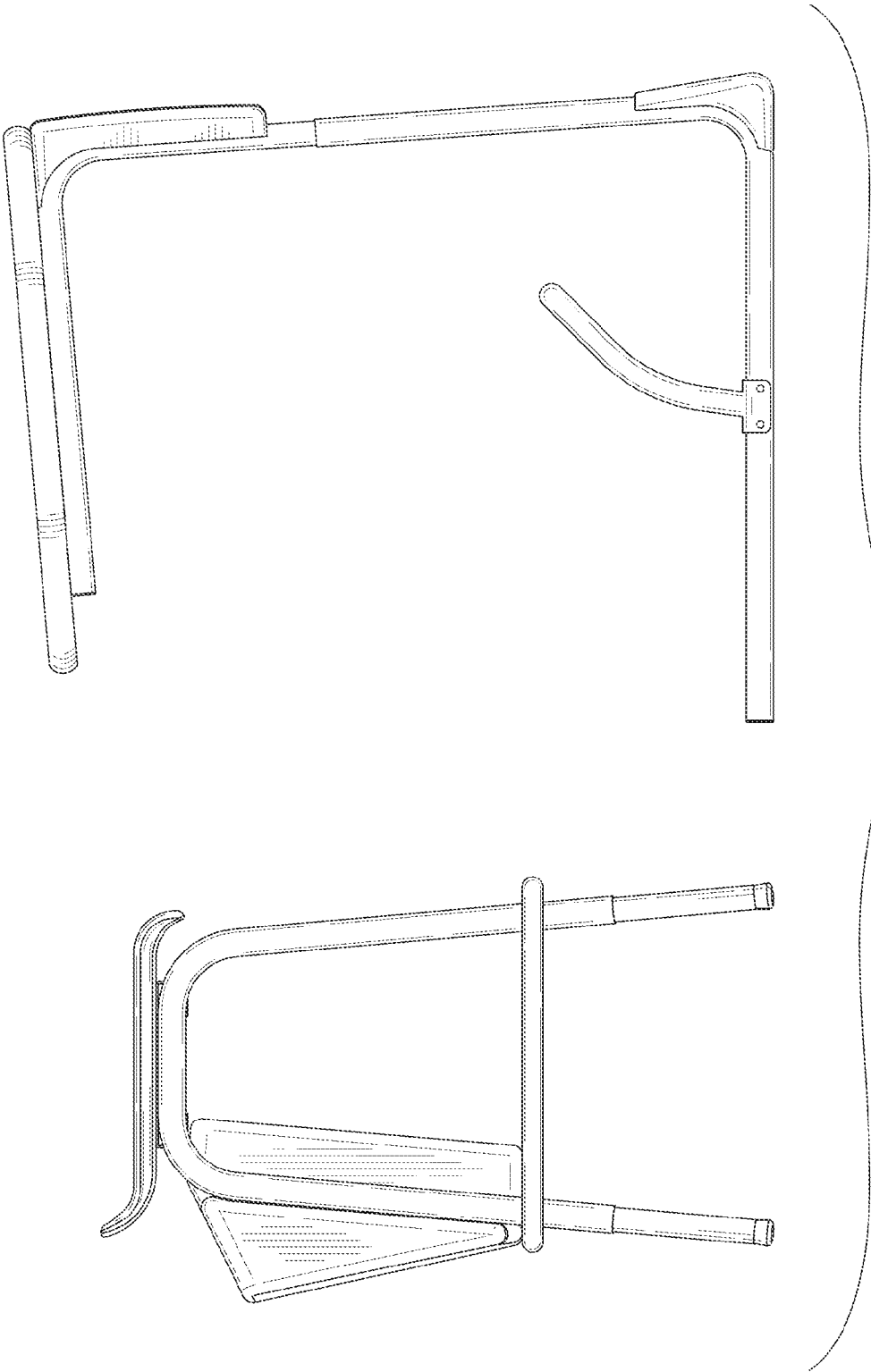


FIG. 4

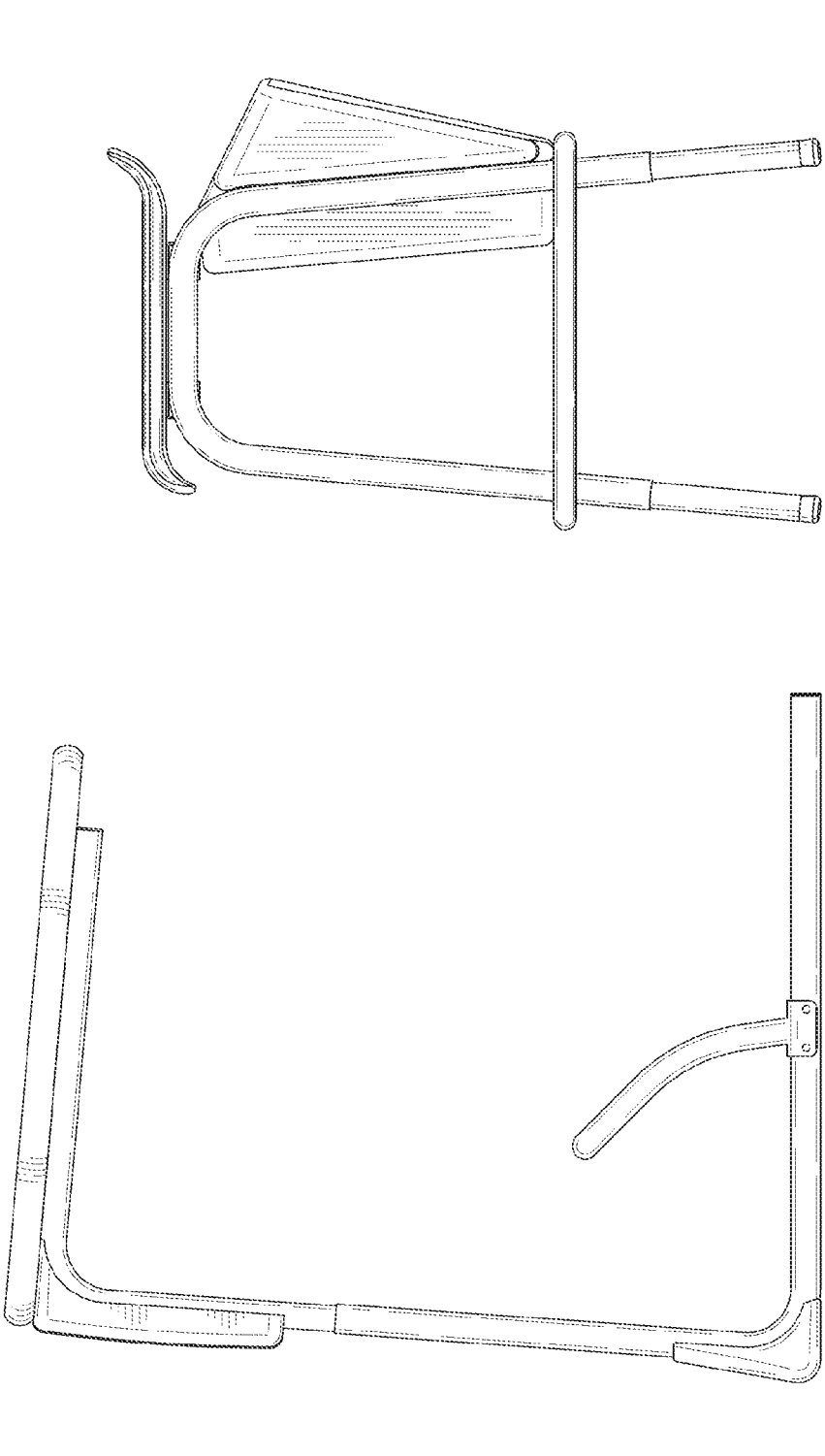


FIG. 5

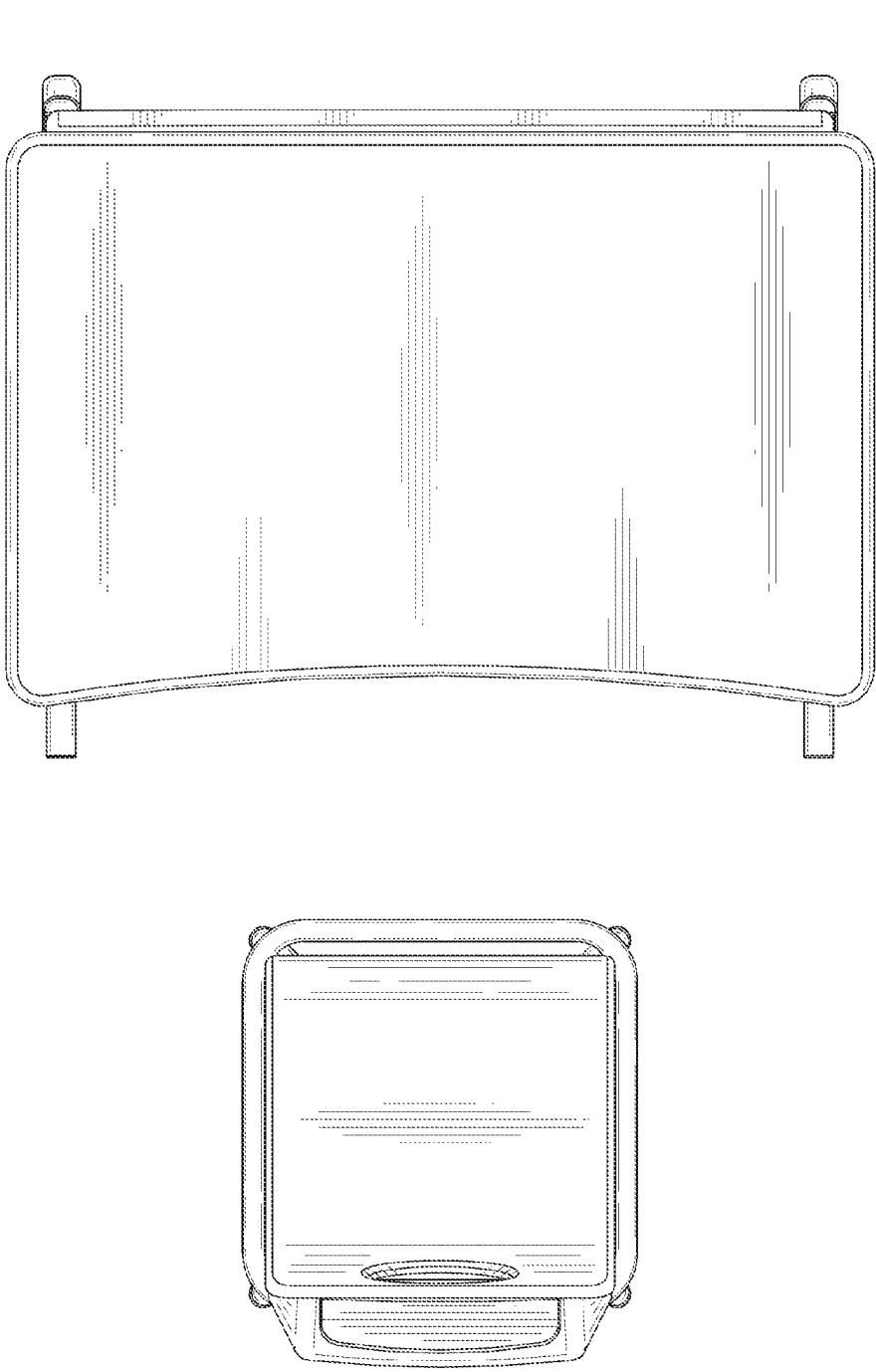


FIG. 6



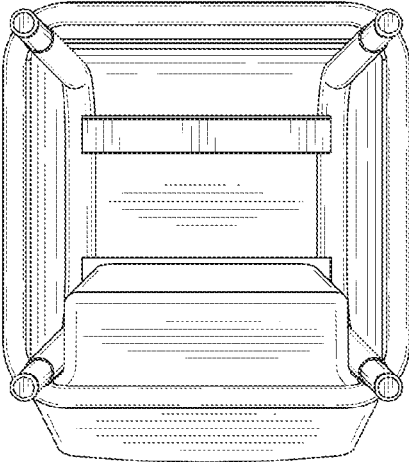
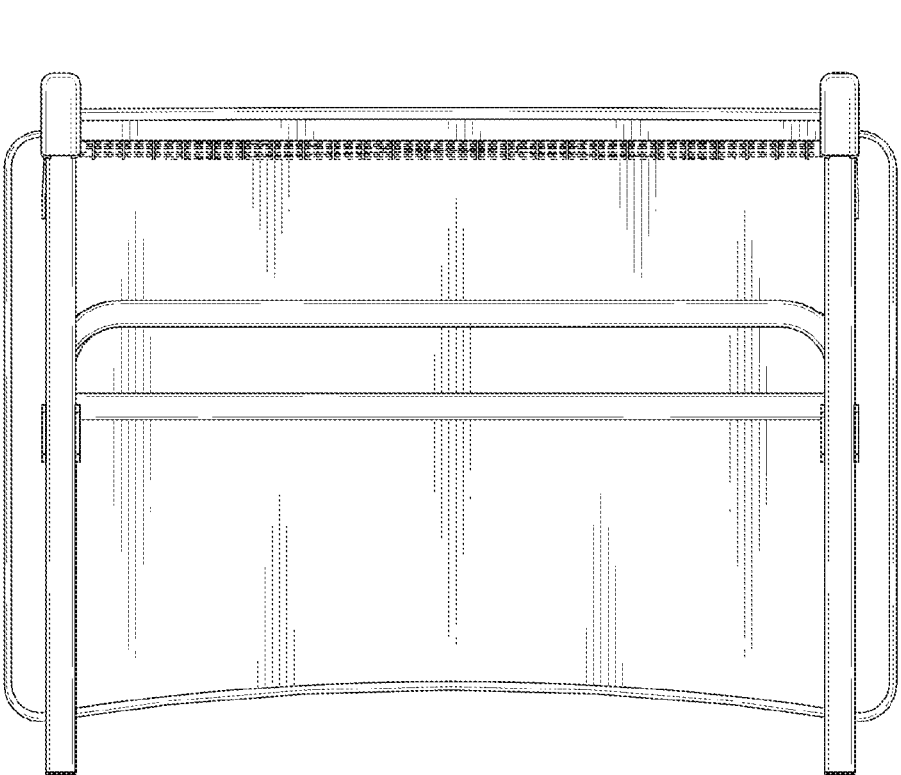


FIG. 7

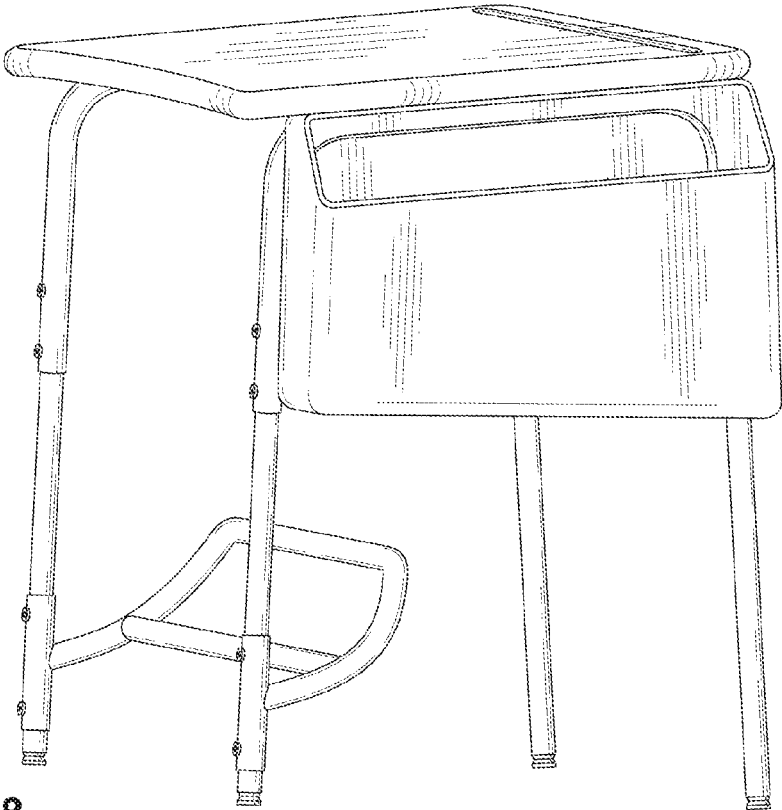


FIG. 8

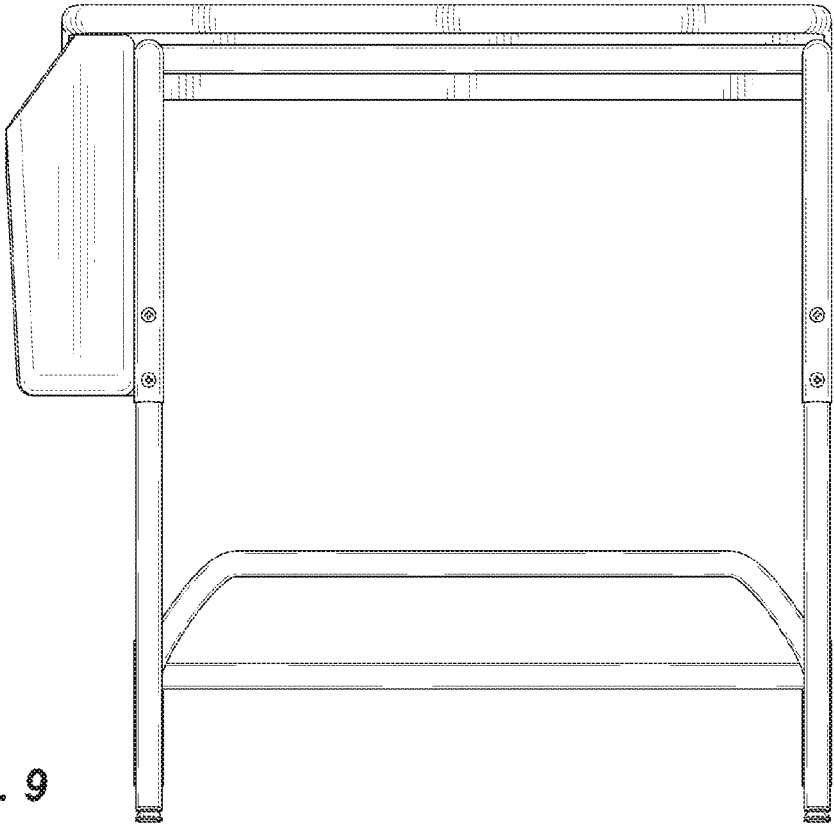


FIG. 9

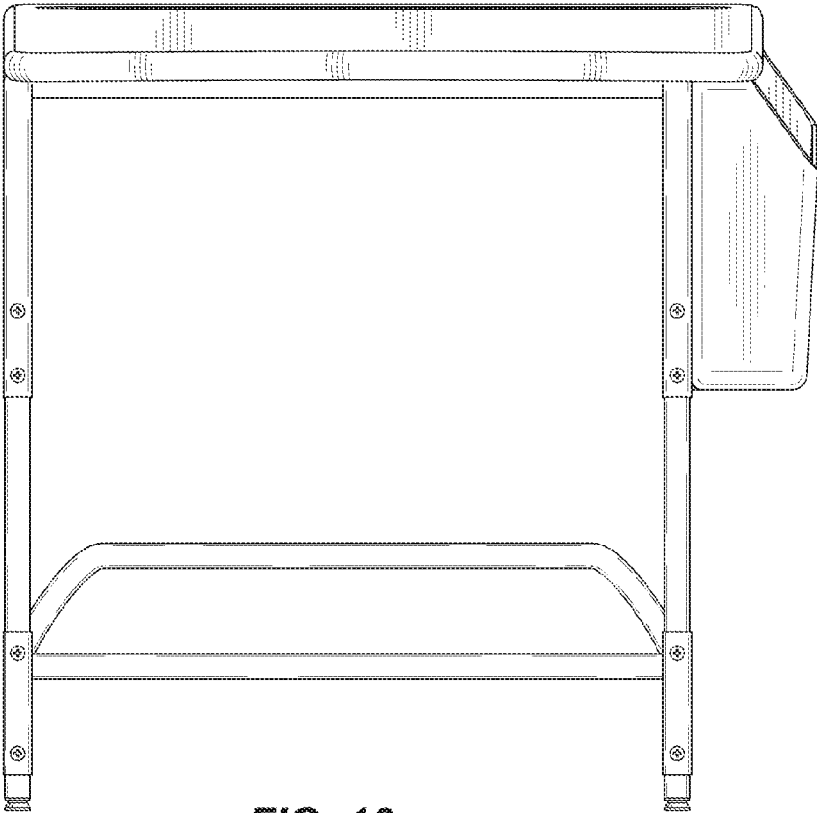


FIG. 10

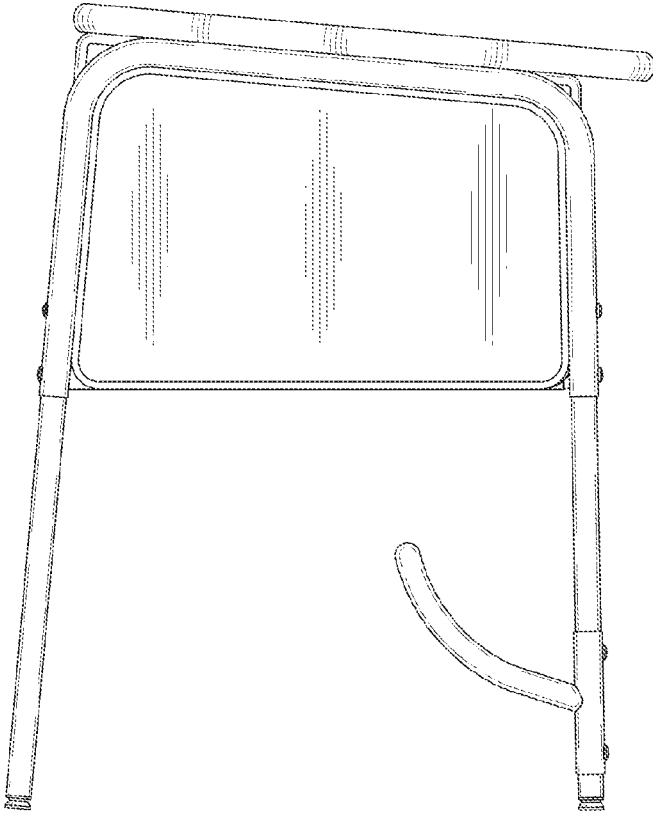


FIG. 11

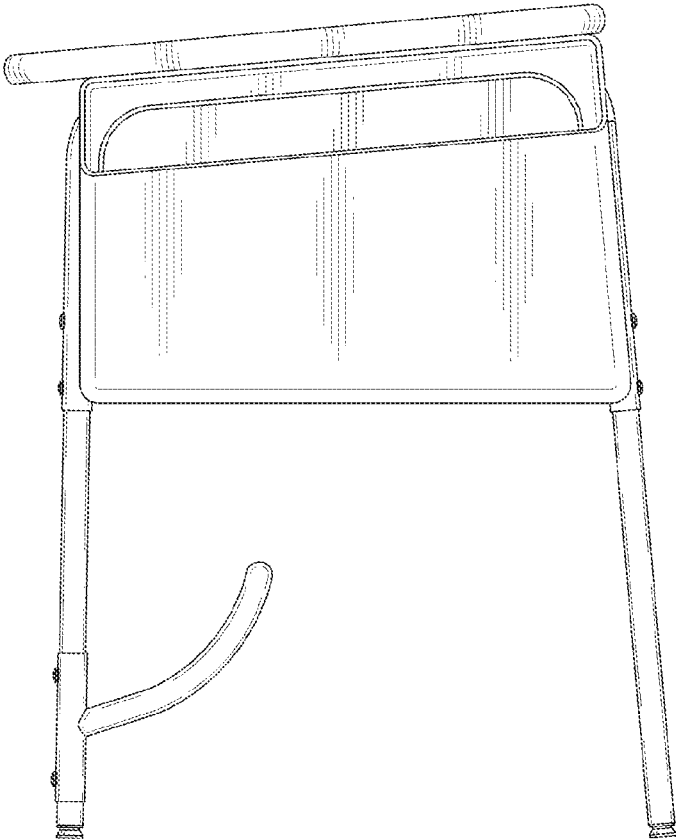


FIG. 12

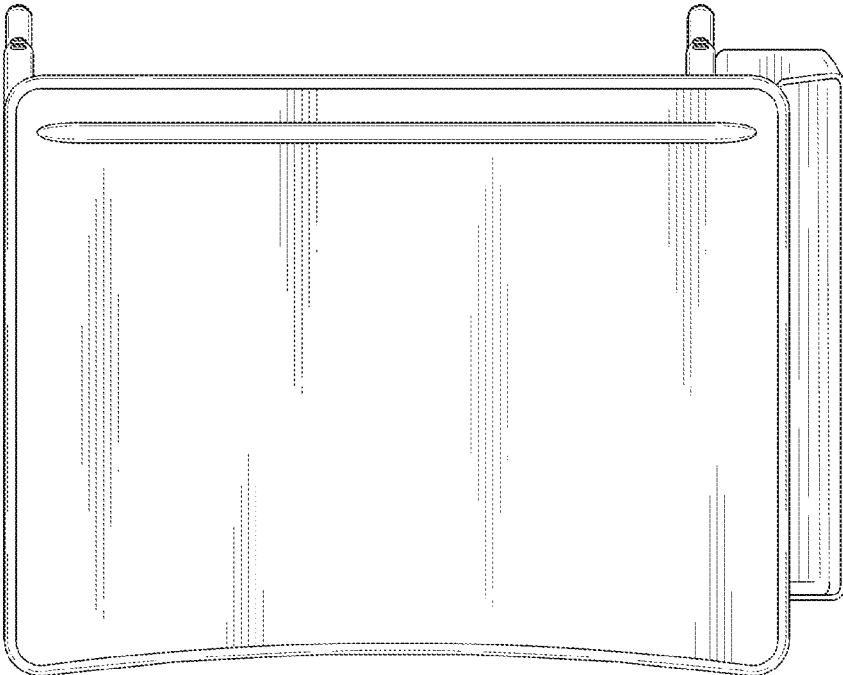
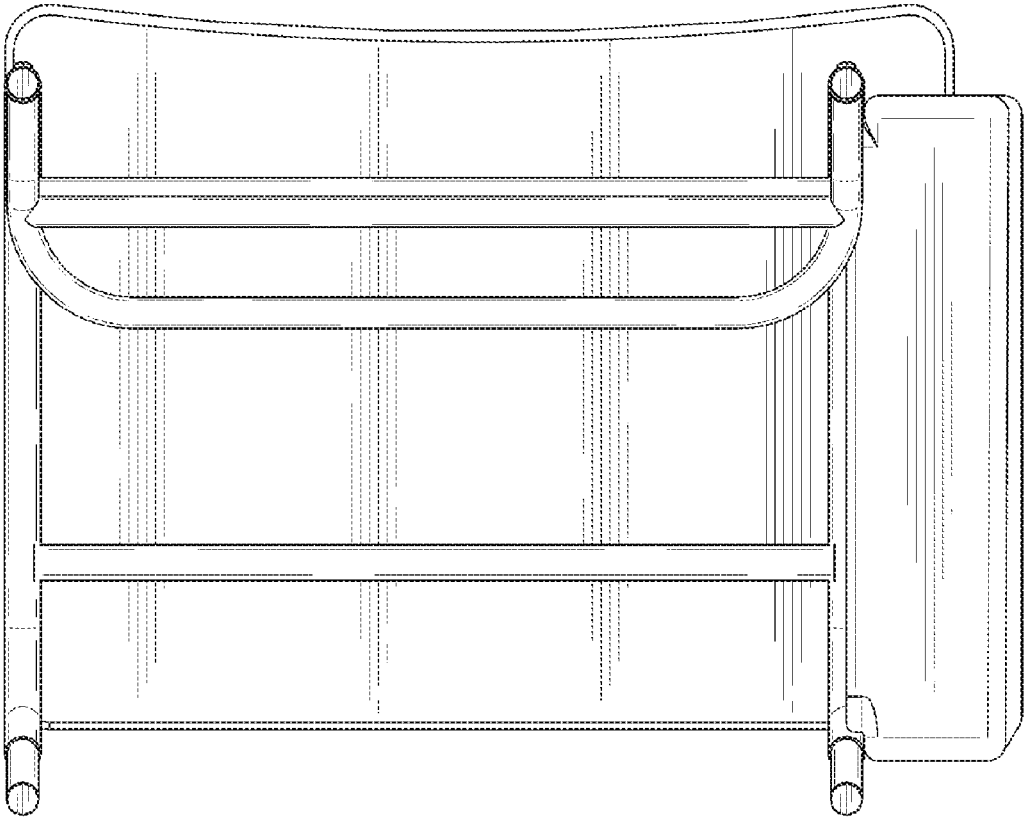


FIG. 13



**FIG. 14**