



US00D649368S

(12) **United States Design Patent**
Benden

(10) **Patent No.:** **US D649,368 S**

(45) **Date of Patent:** **** *Nov. 29, 2011**

(54) **STUDENT DESK WITH SEAT**
(75) Inventor: **Mark E. Benden**, College Station, TX (US)
(73) Assignee: **The Texas A&M University System**, College Station, TX (US)
(**) Term: **14 Years**

6,039,392 A	3/2000	Dencker	
6,186,589 B1	2/2001	Burkamp	
6,439,657 B1 *	8/2002	Tholkes	297/172
D477,921 S *	8/2003	Bosman et al.	D6/338
6,604,784 B1	8/2003	Bosman et al.	
6,776,452 B2	8/2004	Onishi	
D507,890 S *	8/2005	Mills et al.	D6/336
D514,829 S *	2/2006	Glass et al.	D6/336
D521,750 S *	5/2006	Glass et al.	D6/336

(Continued)

(21) Appl. No.: **29/377,177**

OTHER PUBLICATIONS

Safco Products, "Safco Catalog Page," obtained from <http://www.safcoproducts.com/>, generated Jul. 1, 2011.

Safco Products, "Safco Catalog Page," obtained from <http://www.safcoproducts.com/>, generated Jul. 1, 2011.

(Continued)

(22) Filed: **Oct. 18, 2010**

(51) **LOC (9) Cl.** **06-01**

(52) **U.S. Cl.** **D6/338**

(58) **Field of Classification Search** D6/330, D6/335-338, 340, 349-355, 358, 359, 364, D6/366, 376, 491, 495, 500-502; 297/16.1, 297/39, 46, 135, 140, 156, 158.3, 158.4, 297/175, 177, 195.1, 187, 195.11, 211, 245, 297/423.1, 423.16, 445.1, 461, 462, 136, 297/170, 172, 174 F

See application file for complete search history.

Primary Examiner — Sandra Snapp

(74) *Attorney, Agent, or Firm* — Wong, Cabello, Lutsch, Rutherford & Brucculeri, LLP

(57) **CLAIM**

The ornamental design for a student desk with a seat, as shown and described.

(56) **References Cited**

DESCRIPTION

U.S. PATENT DOCUMENTS

D157,959 S *	4/1950	Kahan	D6/338
D159,992 S *	9/1950	Kump, Jr.	D6/338
D169,012 S *	3/1953	Musacco	D6/338
2,673,595 A *	3/1954	Kump, Jr.	297/172
2,732,007 A *	1/1956	MacWhirter	297/172
D178,989 S *	10/1956	Ellert	D6/338
2,894,561 A *	7/1959	Mackintosh	297/172
4,050,491 A	9/1977	Hargrove	
4,925,240 A	5/1990	Peters	
D322,178 S	12/1991	Pons	
D327,780 S *	7/1992	Peters	D6/338
5,150,873 A	9/1992	Donovan	
5,330,248 A	7/1994	Smyly et al.	
5,452,950 A	9/1995	Crenshaw et al.	
D379,874 S *	6/1997	Stirling et al.	D6/338
5,685,602 A	11/1997	Williams	
5,697,668 A *	12/1997	Chao	297/172
D406,195 S *	3/1999	Gamberini	D6/341
5,876,093 A	3/1999	Williams	
6,010,186 A	1/2000	Tsay	

This application is filed concurrently with U.S. Design Application entitled "Student Desk with Stool" by Mark E. Benden, which is incorporated herein by reference in its entirety.

FIG. 1 is a perspective view of a student desk with a seat showing my new design.

FIG. 2 is a front view thereof.

FIG. 3 is a back view thereof.

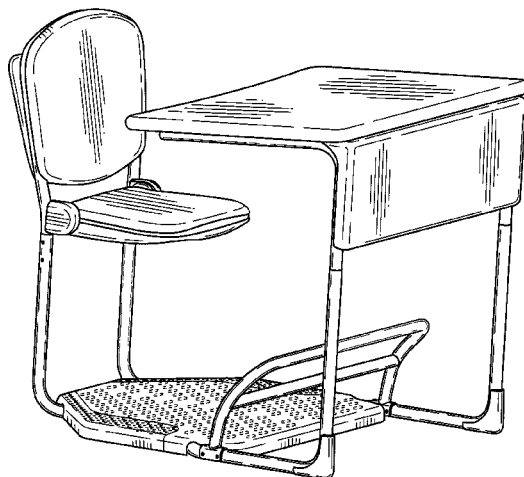
FIG. 4 is a right side view thereof, the left side view being a mirror image thereof.

FIG. 5 is a top view thereof; and,

FIG. 6 is a bottom view thereof.

The broken line showing in FIGS. 1-6 is for illustrative purposes only and forms no part of the claimed design.

1 Claim, 4 Drawing Sheets



US D649,368 S

Page 2

U.S. PATENT DOCUMENTS

7,048,332 B1 5/2006 Dilling
7,059,670 B2 6/2006 Mills et al.
7,073,853 B2 7/2006 Onishi
D530,528 S * 10/2006 Van Erum et al. D6/336
D555,372 S * 11/2007 Lin D6/336
7,571,959 B2 8/2009 Griepentrog
7,954,892 B2 * 6/2011 Knighton 297/142
2009/0178596 A1 7/2009 Skiba

OTHER PUBLICATIONS

Ergoguys.com, "AlphaBetter(TM) Standing Desk," obtained from <http://store.ergoguys.com/>, generated Jul. 1, 2011.
Ergoguys.com, "AlphaBetter(TM) Standing Desk—with bookbox," obtained from <http://store.ergoguys.com/>, generated Jul. 1, 2011.
Ergoguys.com, "AlphaBetter(TM) Adjustable Stool," obtained from <http://store.ergoguys.com/>, generated Jul. 1, 2011.

* cited by examiner

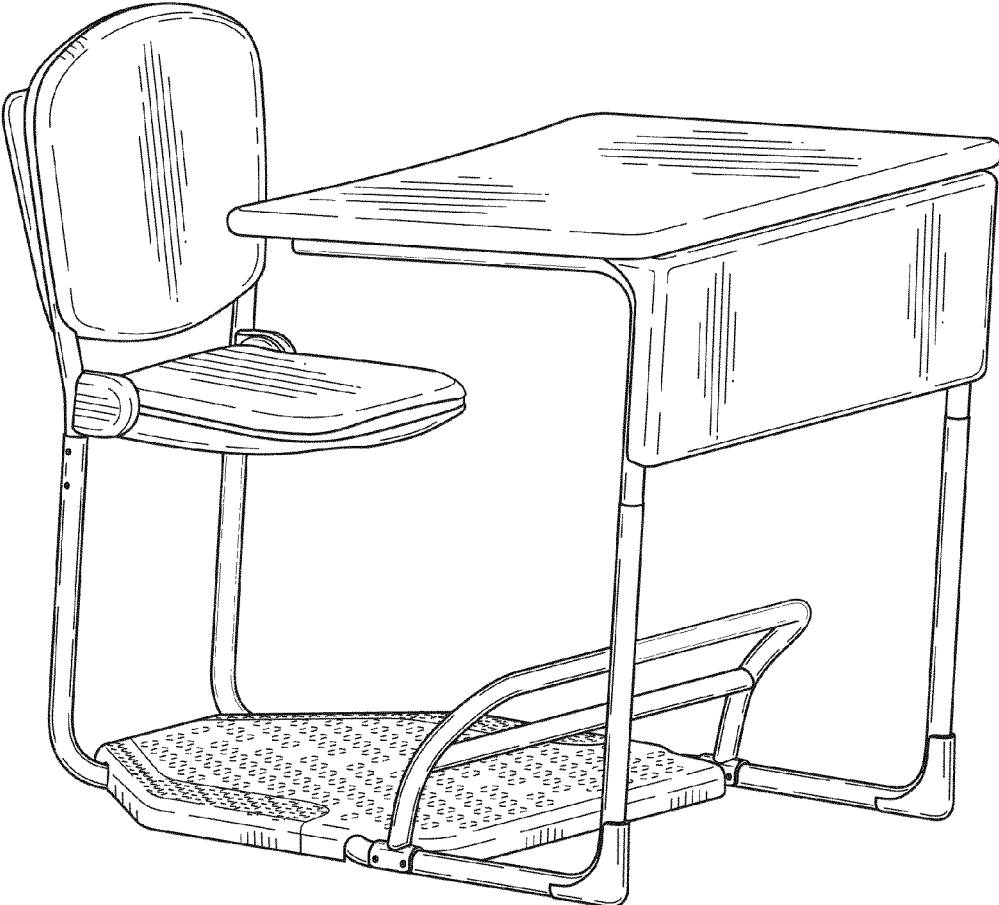


FIG. 1

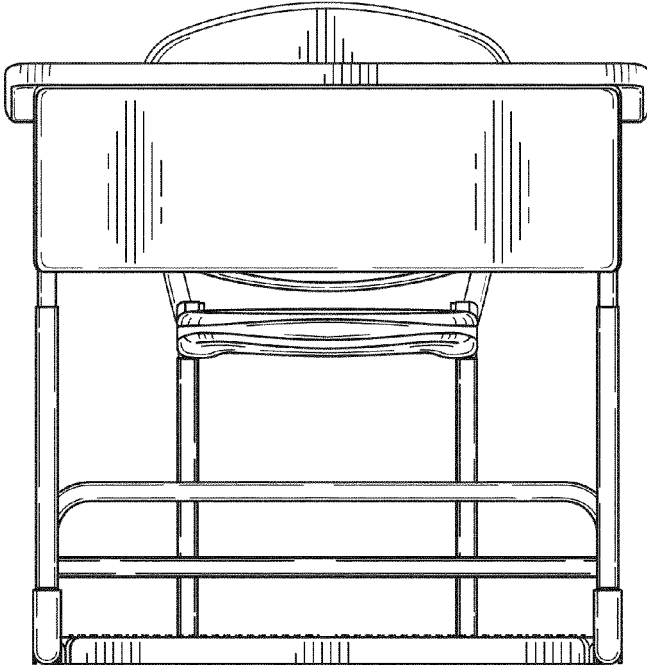


FIG. 2

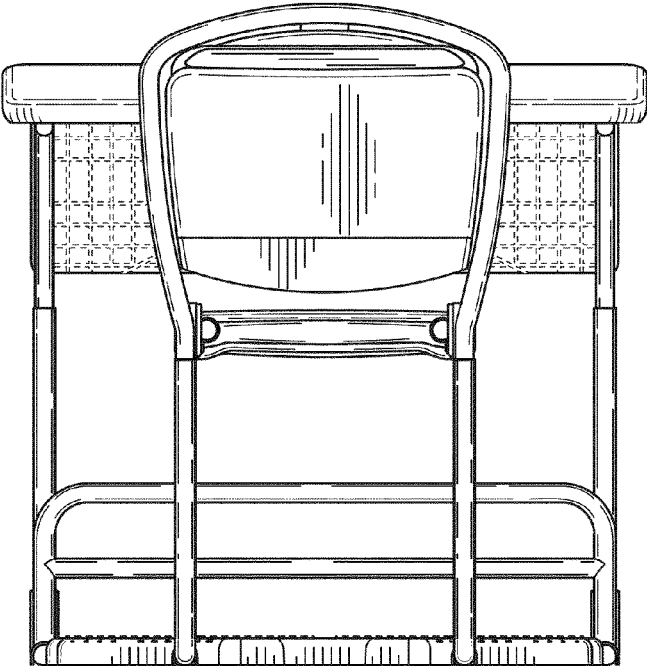


FIG. 3

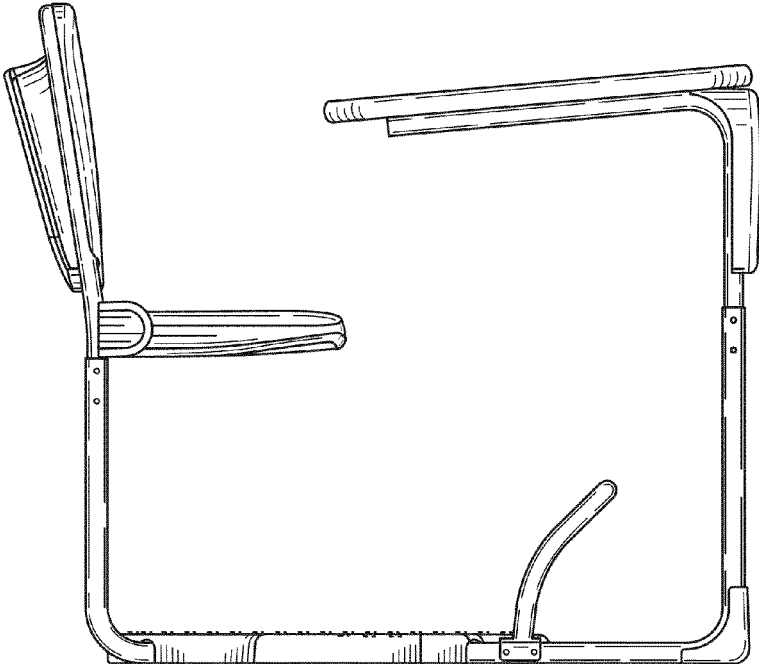


FIG. 4

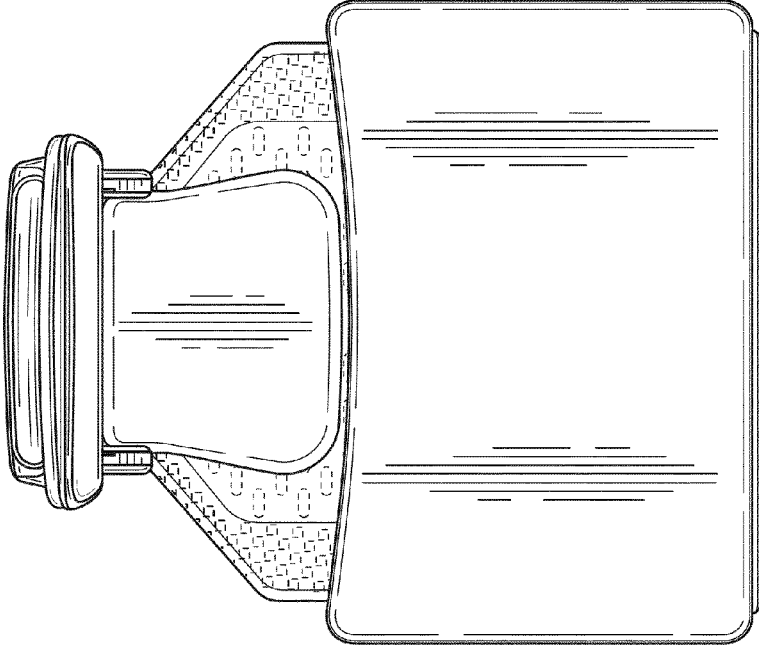


FIG. 5

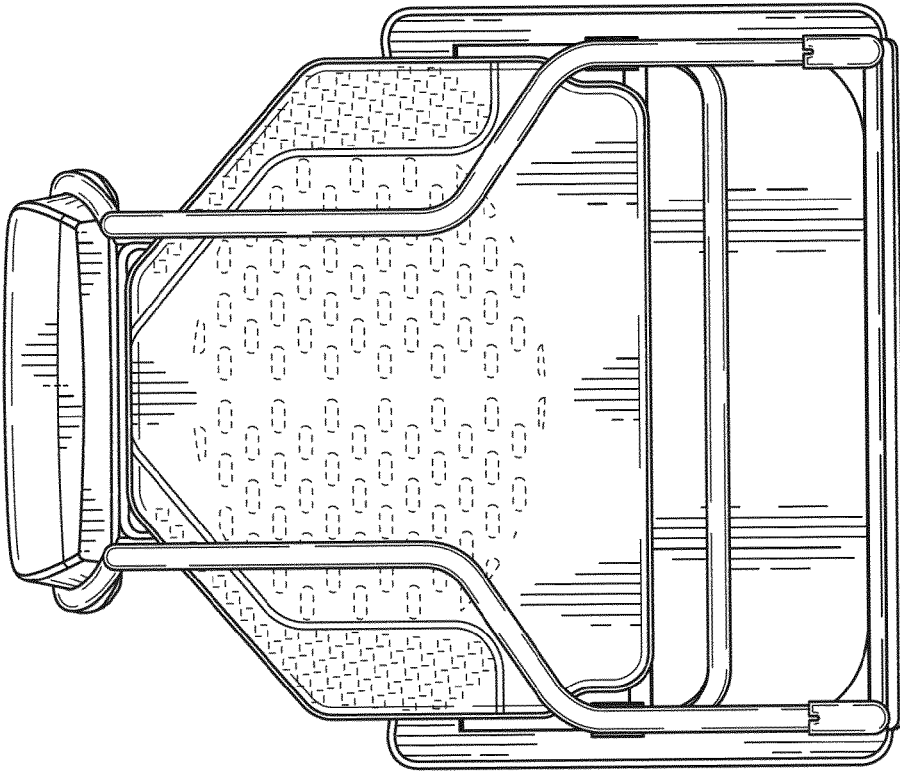


FIG. 6