



US010253469B2

(12) **United States Patent**
Brackin et al.

(10) **Patent No.:** **US 10,253,469 B2**

(45) **Date of Patent:** **Apr. 9, 2019**

(54) **SINGLE ANCHOR TERMINAL**

(56) **References Cited**

(71) Applicant: **THE TEXAS A&M UNIVERSITY SYSTEM**, College Station, TX (US)

U.S. PATENT DOCUMENTS

(72) Inventors: **Michael S. Brackin**, Bryan, TX (US);
Dean C. Alberson, Bryan, TX (US);
Roger P. Bligh, College Station, TX (US);
Delbert Lance Bullard, Jr., College Station, TX (US)

3,258,250 A	6/1966	McMullin	
3,982,734 A	9/1976	Walker	
5,039,066 A	8/1991	Stacey	
5,851,005 A *	12/1998	Muller	E01F 15/146
			256/13.1
6,065,738 A	5/2000	Pearce et al.	
6,254,063 B1	7/2001	Rohde et al.	
6,729,607 B2	5/2004	Alberson et al.	
6,863,264 B2	3/2005	Johansson et al.	
6,926,462 B1 *	8/2005	Fuganti	E01F 15/12
			256/13.1
6,932,327 B2	8/2005	Alberson et al.	
7,037,029 B2	5/2006	Buehler et al.	
7,364,137 B2	4/2008	Neusch	
7,367,549 B2	5/2008	Titmus	

(73) Assignee: **THE TEXAS A&M UNIVERSITY SYSTEM**, College Station, TX (US)

(*) Notice: Subject to any disclaimer, the term of this patent is extended or adjusted under 35 U.S.C. 154(b) by 404 days.

(Continued)

(21) Appl. No.: **14/926,935**

OTHER PUBLICATIONS

(22) Filed: **Oct. 29, 2015**

“Washington State Cable Median Barrier,” Albin, Richard B., Bullard, Jr., D Lance, and Menges, Wanda L., Transportation Research Record 1743 Paper No. 01-0276, dated 2001, p. 71.

(65) **Prior Publication Data**

US 2016/0130775 A1 May 12, 2016

(Continued)

Related U.S. Application Data

Primary Examiner — Jonathan P Masinick

(60) Provisional application No. 62/102,903, filed on Jan. 13, 2015, provisional application No. 62/076,231, filed on Nov. 6, 2014.

(74) *Attorney, Agent, or Firm* — Brinks Gilson & Lione

(51) **Int. Cl.**
E01F 15/06 (2006.01)

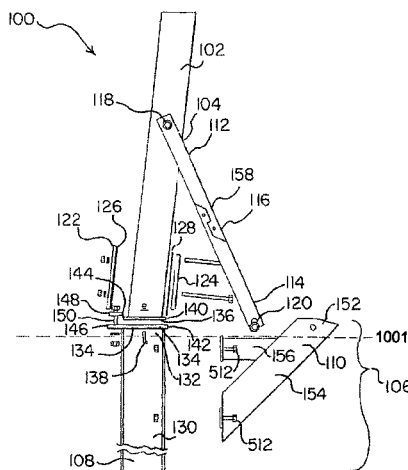
(57) **ABSTRACT**

(52) **U.S. Cl.**
CPC **E01F 15/06** (2013.01)

A single anchor terminal is provided for a roadside wire rope barrier. The single anchor terminal includes a release post, a brace, and an anchor base. The brace supports the release post in an upright position and extends from the release post to the anchor base. The brace has a first portion attached to the release post and a second portion coupled to the first portion with a release component. The anchor base includes a main post that supports the release post and a brace anchor that is coupled to the main post.

(58) **Field of Classification Search**
CPC E01F 15/06; E01F 15/0461; E04H 17/08; E04H 17/22
USPC 256/13.1
See application file for complete search history.

17 Claims, 8 Drawing Sheets



(56)

References Cited

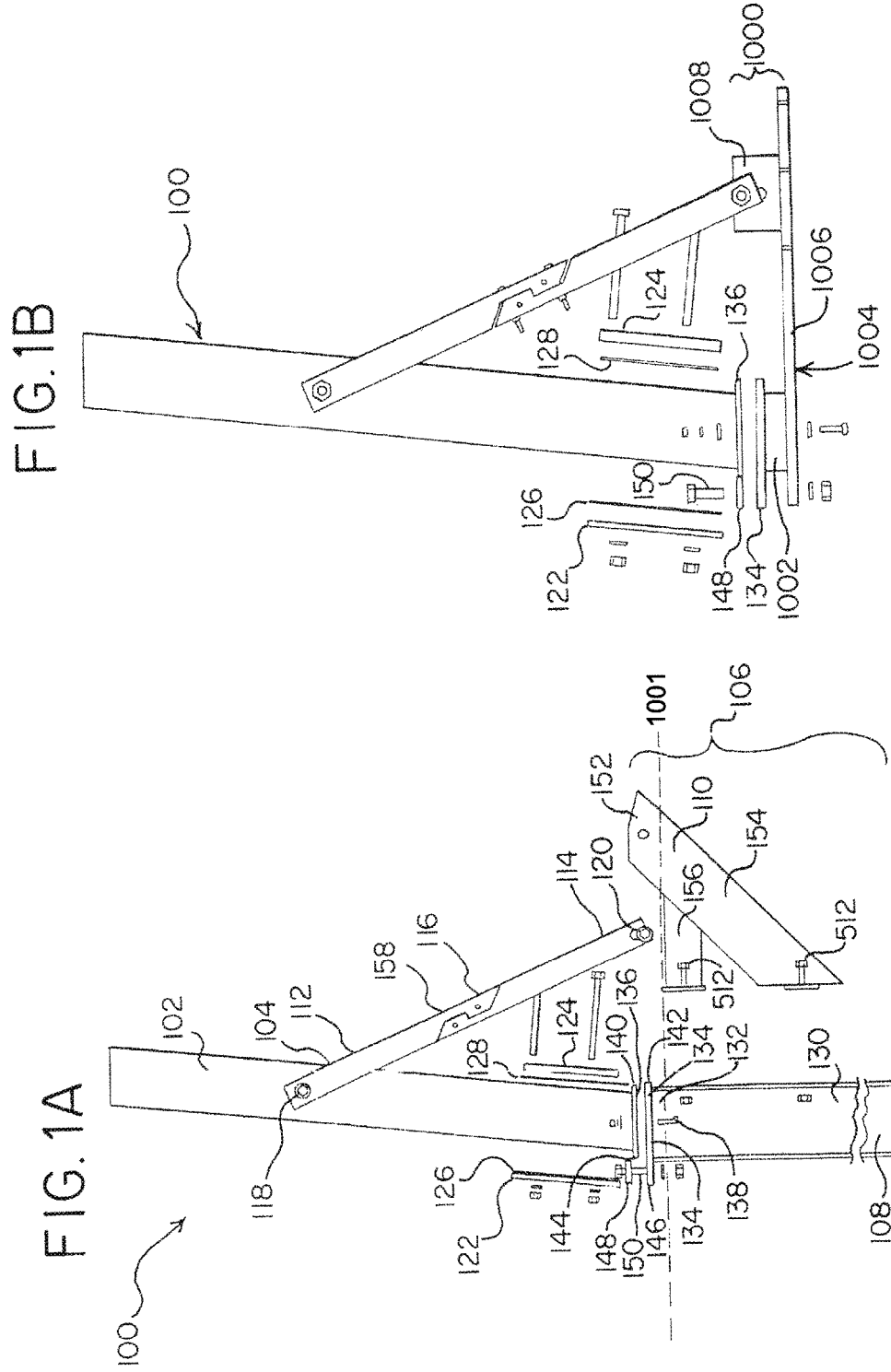
U.S. PATENT DOCUMENTS

7,398,960	B2	7/2008	Neusch	
7,401,996	B2	7/2008	Neusch	
7,556,242	B2	7/2009	Alberson et al.	
7,568,679	B2	8/2009	Neusch	
7,694,941	B2 *	4/2010	Abu-Odeh	E01F 15/143 256/13.1
7,722,282	B2 *	5/2010	Meidan	E01F 15/088 404/6
7,798,741	B2	9/2010	Neusch	
7,883,075	B2	2/2011	Abu-Odeh	
8,266,803	B2	9/2012	Neusch	
8,286,950	B2	10/2012	Neusch	
8,448,913	B1 *	5/2013	Rohde	E01F 15/143 248/548
8,757,597	B2	6/2014	James	
2003/0213946	A1	11/2003	Alberson et al.	
2006/0017048	A1	1/2006	Alberson et al.	
2009/0003932	A1 *	1/2009	Neusch	E01F 13/12 404/6
2009/0121205	A1	5/2009	Dallas	
2011/0062402	A1	3/2011	Neusch	
2011/0062403	A1	3/2011	Neusch	
2012/0199802	A1	8/2012	James	
2013/0008007	A1	1/2013	Neusch	
2013/0015420	A1	1/2013	Neusch	

OTHER PUBLICATIONS

International Search Report in International Application No. PCT/US15/56879 filed Oct. 22, 2015, dated Mar. 4, 2016, 4 pages.
 Written Opinion in the ISR, in International Application No. PCT/US15/56879 filed Oct. 22, 2015, dated Mar. 4, 2016, 15 pages.

* cited by examiner



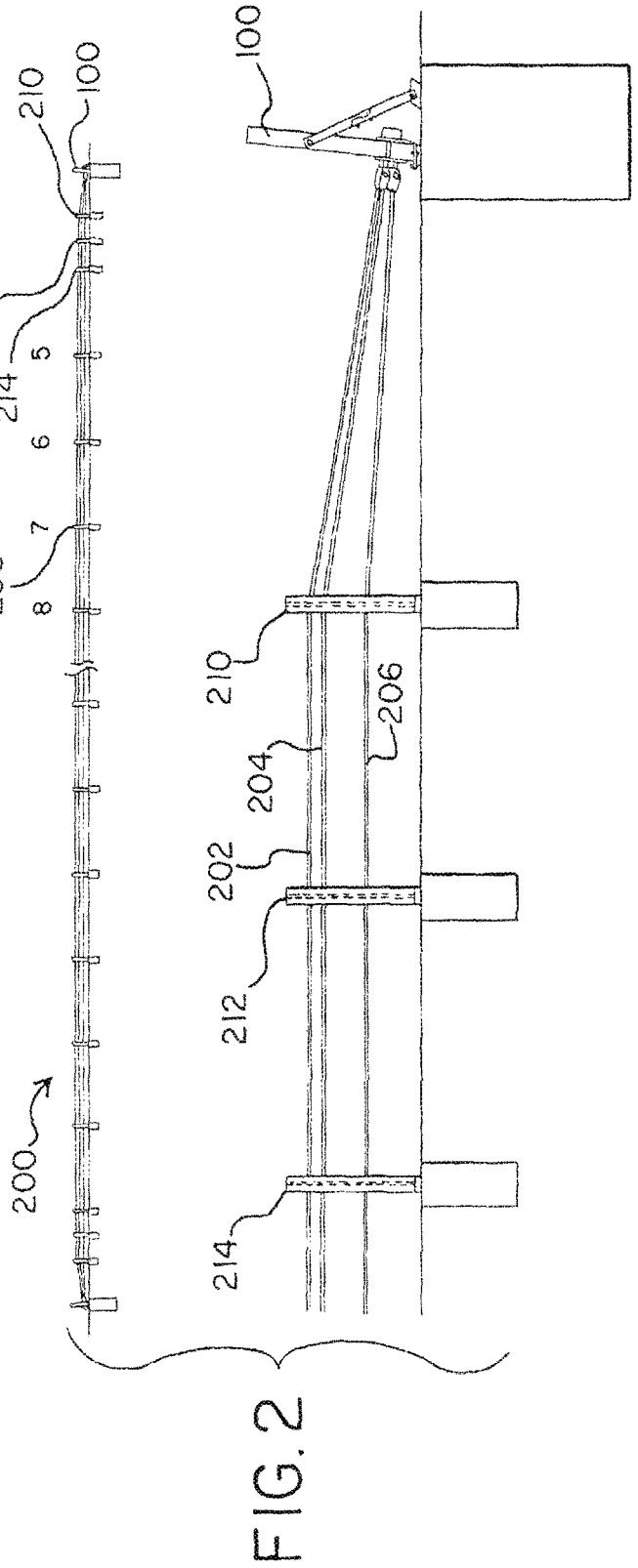
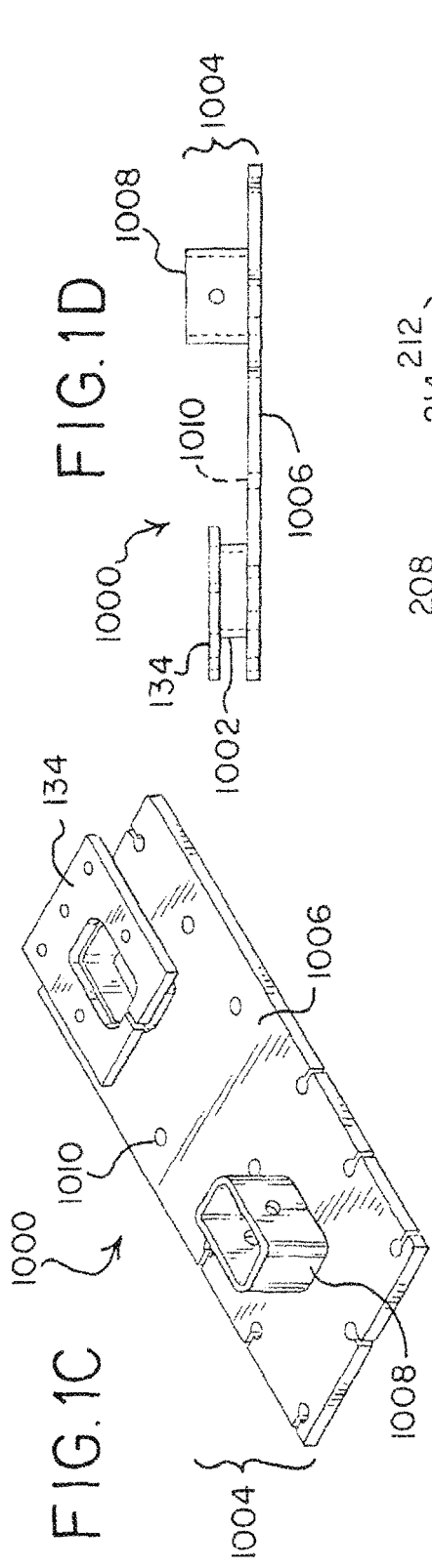
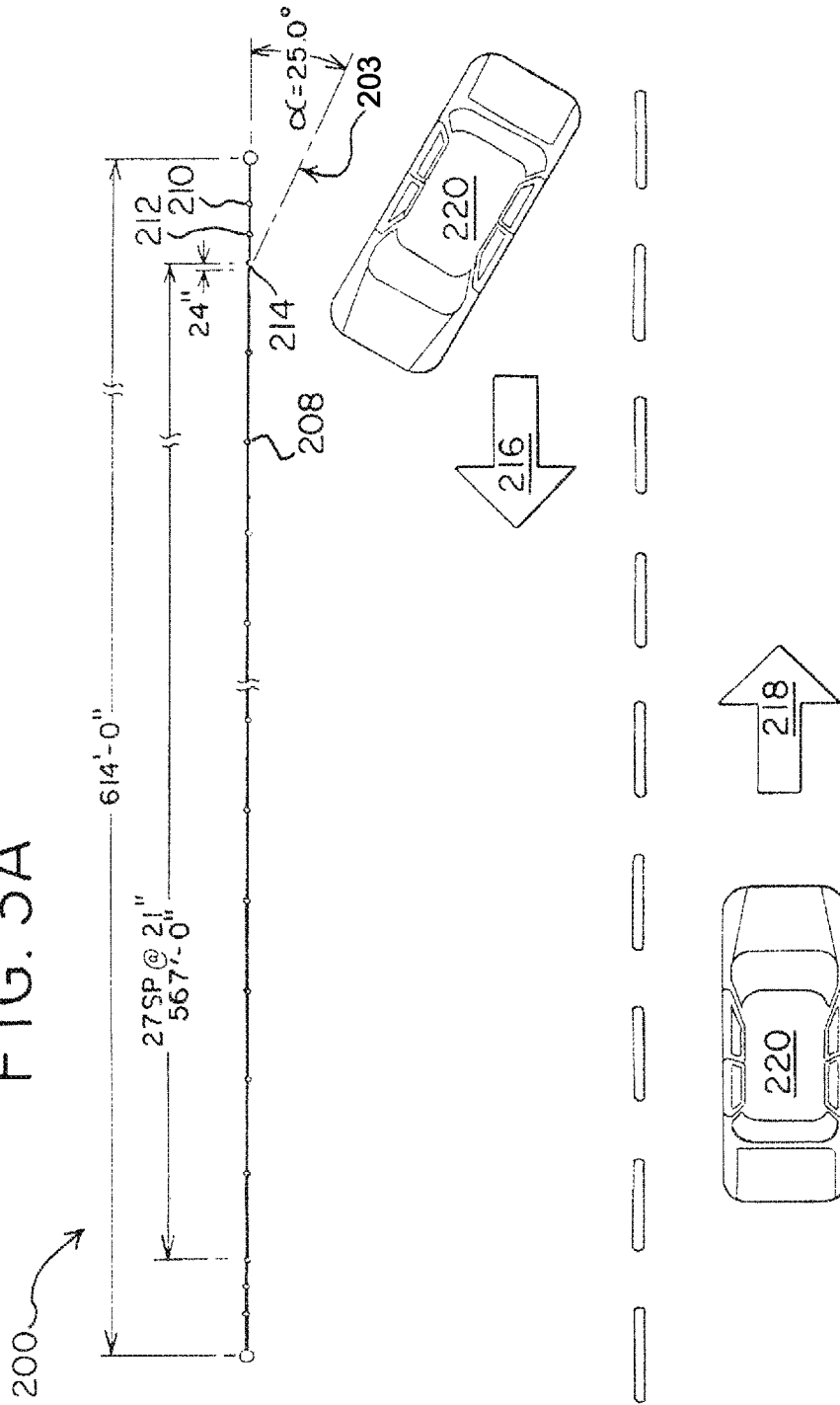


FIG. 3A



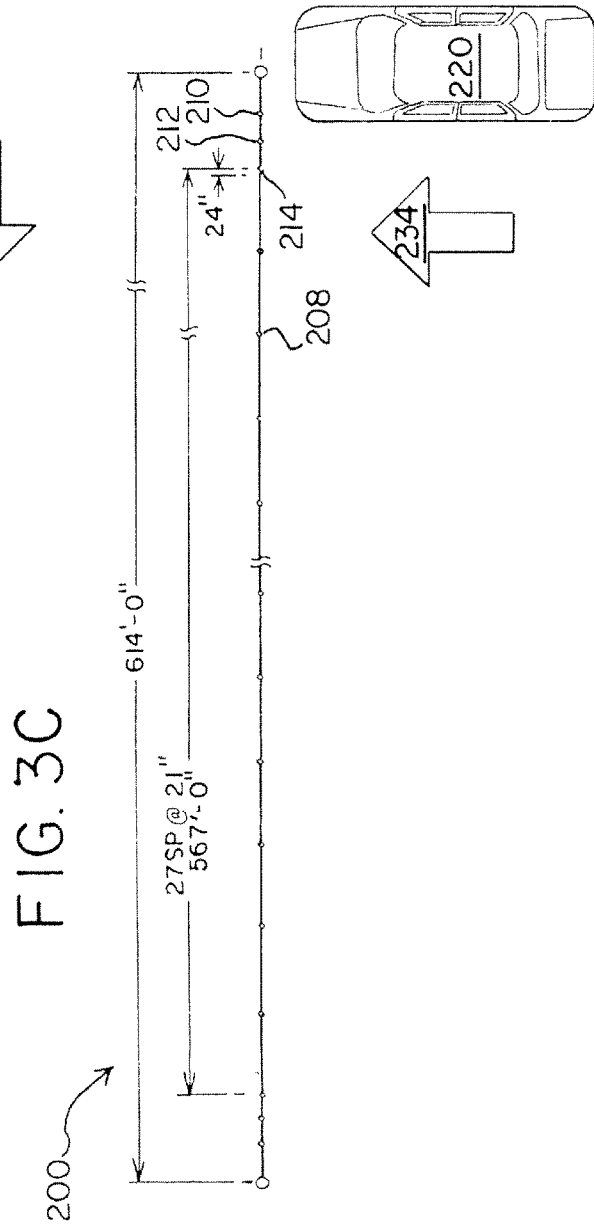
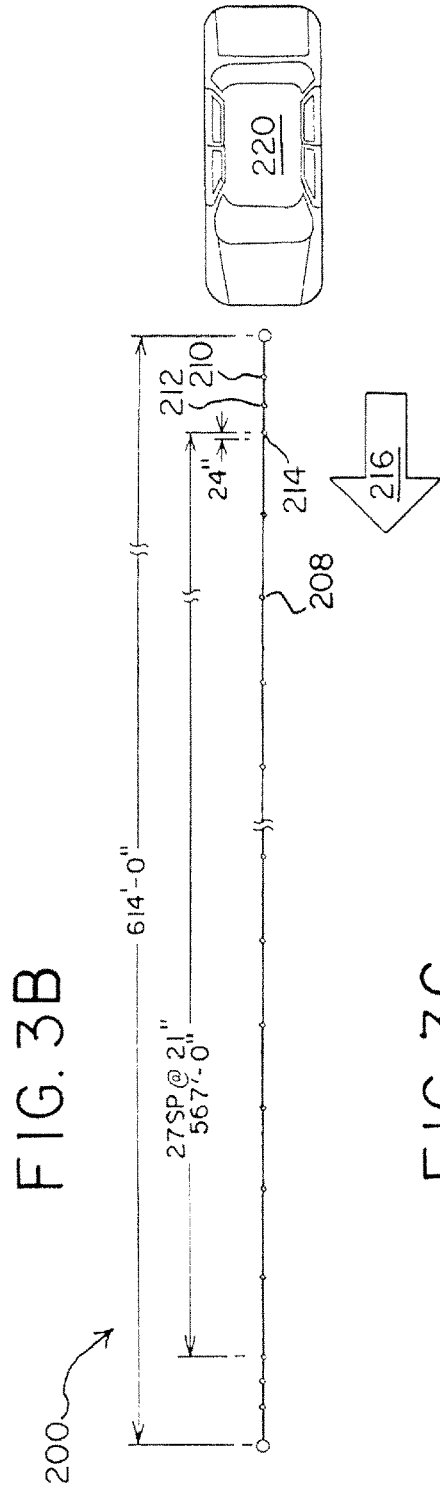


FIG. 3D

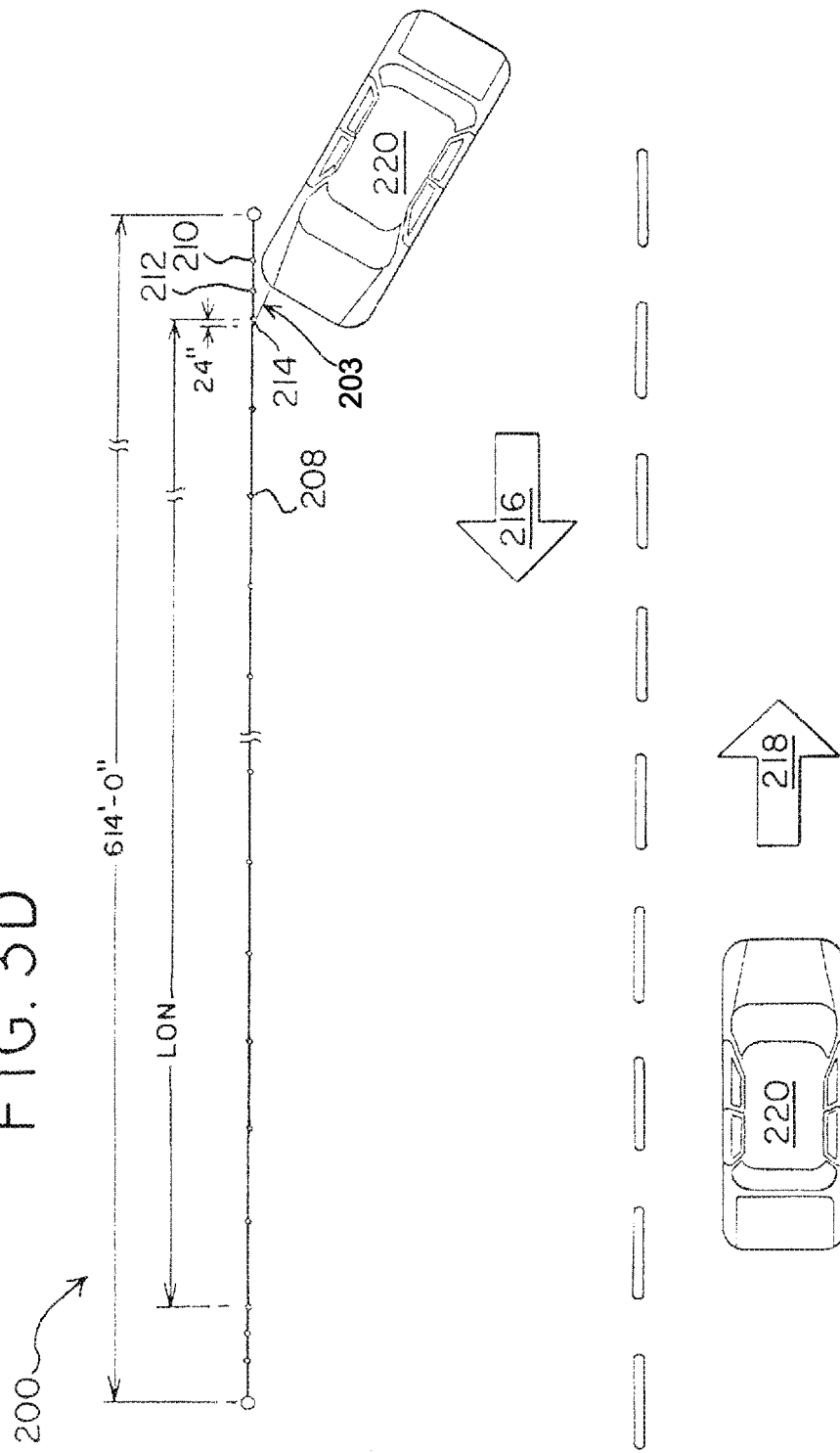


FIG. 4

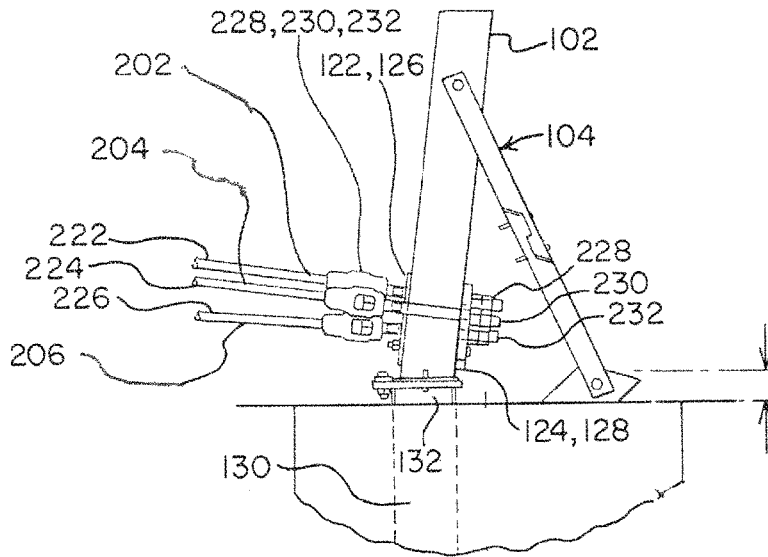


FIG. 5

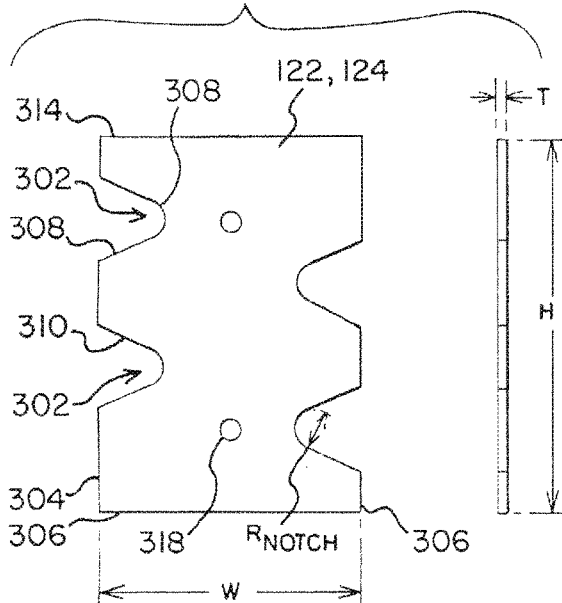


FIG. 6

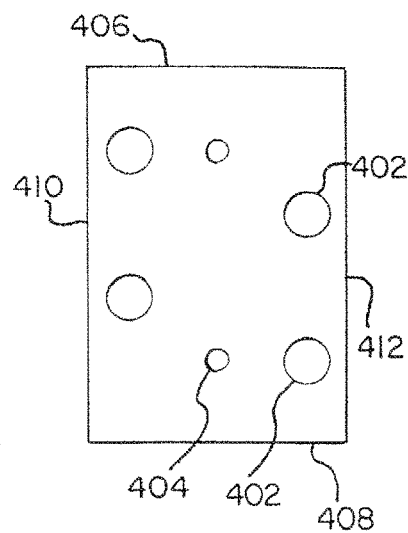


FIG. 7

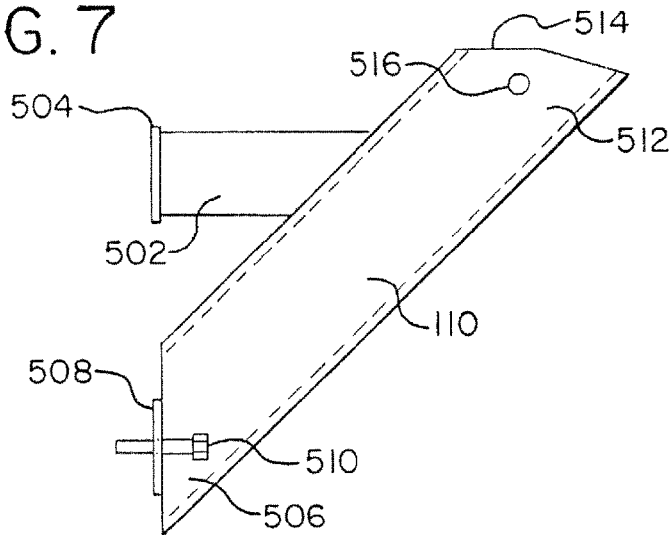


FIG. 8

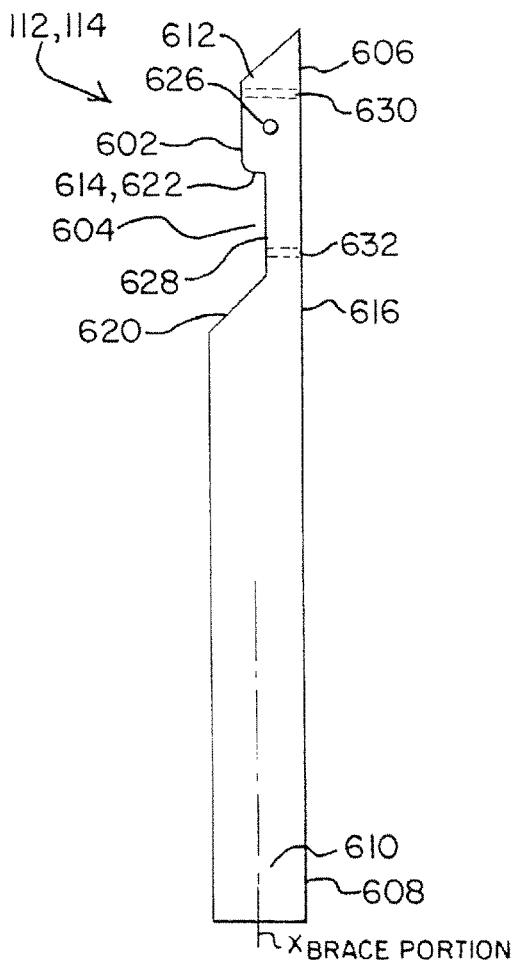


FIG. 9

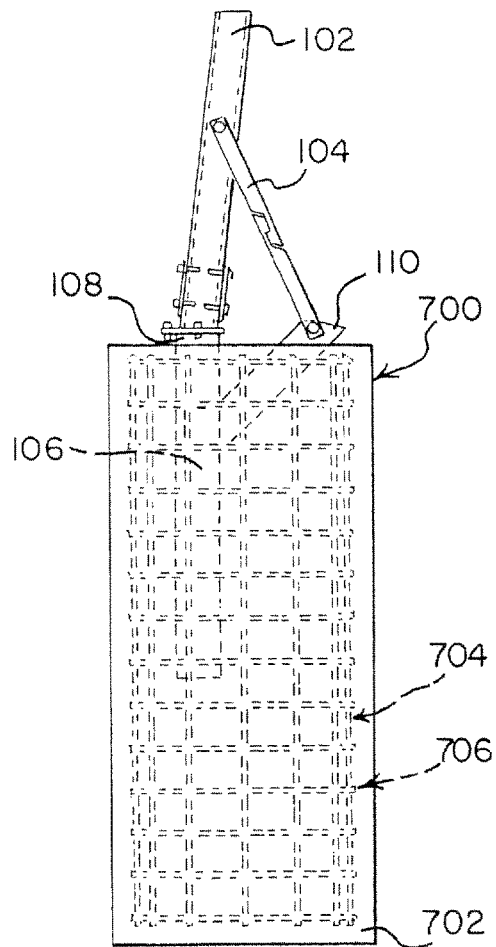


FIG. 10

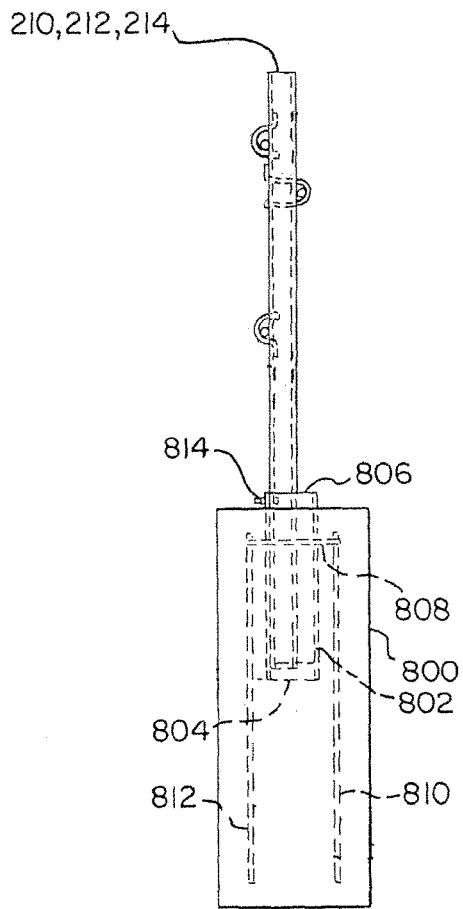
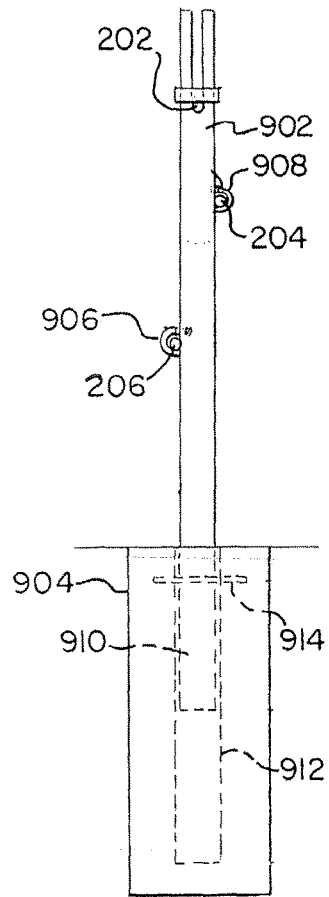


FIG. 11



SINGLE ANCHOR TERMINAL

This application claims the benefit of U.S. Provisional Application No. 62/102,903, filed Jan. 13, 2015, and also claims the benefit of U.S. Provisional No. 62/076,231, filed Nov. 6, 2014, the entire disclosures of which are hereby incorporated herein by reference.

TECHNICAL FIELD

Embodiments disclosed in the present application generally relate to roadside safety systems, and in particular, to terminals and anchors for cable or wire rope roadside safety systems.

BACKGROUND

Traffic barriers and medians are used along roadways to redirect errant vehicles, such as to prevent the vehicles from colliding with oncoming traffic (e.g., head-on collisions with other vehicles) or various other hazards located adjacent the roadway, while minimizing the damage to the vehicle and injury to its occupants resulting from impacting the traffic barrier or median. Roadside safety systems may employ cable or wire rope systems or guardrails. Roadside safety systems may also be designed with a length of need (LON) to prevent collision with specific stationary roadside obstacles or to prevent vehicles from entering areas of concern. Cable or wire rope traffic safety systems are generally installed with foundational structures that extend below grade. Typically, two or more foundational structures may be used to install an anchoring point for the cables. After impact with a vehicle, the many components of the anchoring system may need to be replaced, for example support posts that may have been deformed or otherwise damaged.

Therefore, a need remains for an anchoring system that is cost competitive as well as easy and quick to install, and which has components that may be reused or easily replaced after a collision.

BRIEF SUMMARY

Nothing in this section should be considered to be a limitation on the claims of this application.

In one aspect, one embodiment of a single anchor terminal includes a release post, a cable, a brace and an anchor base. The cable has an end portion that is releasably coupled to the release post and extends from the release post in a first direction. The brace supports the release post in an upright position and extends from the release post in a second direction that is opposite the first direction. The brace includes a first portion that is attached to the release post and a second portion that is coupled to the first portion with a release component. The anchor base includes a main post that supports the release post and a brace anchor that is coupled to the main post. The second portion of the brace is coupled to the brace anchor.

In another aspect, one embodiment of a cable release system for a single anchor terminal includes a pair of keeper plates disposed on opposing first and second sides of a release post of the single anchor terminal, a pair of notched plates disposed adjacent the keeper plates, and a brace that extends from the release post to support the release post in an upright position. The keeper plates each have apertures adapted to receive an end portion of a cable that extends in a first direction from the release post. The notched plates

each have lateral notches adapted to receive the end portion of the cable, and the lateral notches align with the apertures of the keeper plates. The brace extends in a second direction opposite the first direction.

In another aspect, one embodiment of a tension release system for a single anchor terminal includes a brace that extends from a release post of the single anchor terminal to a brace anchor that has an above grade portion and a below grade portion. The brace has a first portion and a second portion that have adjoining portions. The adjoining portions of the first and second brace portions each have a catch and an indent. The catch has an inclined surface and a flat surface opposite the inclined surface and the indent has an inclined surface and a flat surface opposite the inclined surface of the indent. A distal end of the first portion is attached to the release post and a distal end of the second portion is attached to the above grade portion of the brace anchor. The distal ends of the first and second portions form opposing ends of the brace.

In yet another aspect, one embodiment of a method for installing a single anchor terminal includes attaching a brace anchor to a main post of the single anchor terminal, such that the brace anchor forms a truss that extends from the main post. At least a portion of the brace anchor and the main post are installed below grade, and a release post is supported by the main post. The release post is supported in the upright position by inserting a brace between the release post and the brace anchor. Inserting the brace includes coupling a first portion of the brace to the release post and coupling a second portion of the brace to an above grade portion of the brace anchor. The method also includes adjoining the first and second portions with a release component.

In another aspect, an embodiment of a method for triggering a release of a cable from a single anchor terminal includes impacting a first side of a brace of the single anchor terminal. The brace has a first portion that extends from a release post and a second portion that is coupled to the first portion with a release component. The brace supports the release post in an upright position by providing resistance against tension that is applied by the cables on the release post in a first direction. The release post is supported by an anchor base. The method also includes triggering the release component, which decouples the second portion from the first portion of the brace and releases the release post from the brace anchor.

In yet another aspect, an embodiment of a method for triggering release of cables from a single anchor terminal includes impacting a cable with a vehicle in a lateral direction. The cable has an end portion that is releasably coupled to a release post of the single anchor terminal and the cable extends in a first direction through apertures of a pair of keeper plates that are disposed on opposite first and second faces of the release post. The cable further extends into laterally opening notches of a pair of notched plates that are disposed adjacent the keeper plates. A tensile load is applied to the cable, thereby applying a tensile load to the brace that support the release post in an upright position. The brace extends from the release post in a second direction opposite the first direction and includes a first portion attached to the release post and a second portion coupled with the first portion by a release component. The cable breaking the keeper plates, which releases the cable from the laterally opening notches.

The foregoing paragraphs have been provided by way of general introduction, and are not intended to limit the scope of the following claims. The various preferred embodiments, together with further advantages, will be best understood by

reference to the following detailed description taken in conjunction with the accompanying drawings.

BRIEF DESCRIPTION OF DRAWINGS

FIG. 1A is a side view of a single anchor terminal having a release post, a brace, and an anchor base;

FIG. 1B is a side view of a single anchor terminal having a release post, a brace, and an anchor base;

FIG. 1C is an isometric view of an anchor base for a single anchor terminal;

FIG. 1D is side view of an anchor base for a single anchor terminal;

FIG. 2 is a side view of a cable or wire rope roadside safety system that includes line posts, terminal posts, and single anchor terminals, with an enlarged partial view of the cable or wire rope roadside safety system.

FIG. 3A is a top view of a cable or wire rope roadside safety system along a roadway with a vehicle impacting the cable or wire rope within the length of need;

FIG. 3B is a top view of a cable or wire rope roadside safety system along a roadway with a vehicle impacting the brace in a head-on collision;

FIG. 3C is a top view of a cable or wire rope roadside safety system along a roadway with a vehicle impacting the cable or wire rope in a lateral collision;

FIG. 3D is a top view of a cable or wire rope roadside safety system along a roadway with a vehicle impacting the cable or wire rope within the terminal section;

FIG. 4 is a side view of the single anchor terminal with cables installed;

FIG. 5 is a front view of a notched plate for a single anchor terminal;

FIG. 6 is a front view of a keeper plate for a single anchor terminal;

FIG. 7 is a side view of a brace anchor for a single anchor terminal;

FIG. 8 is a side view of a portion of a brace for a single anchor terminal;

FIG. 9 is a side view of a single anchor terminal installed in a reinforced foundation;

FIG. 10 is a side view of a terminal post installed in foundation as part of a cable or wire rope roadside safety system; and

FIG. 11 is a side view of a line post installed in foundation as part of a cable or wire rope roadside safety system.

DETAILED DESCRIPTION

Various embodiments and/or implementations are described below with reference to the drawings. The relationship and functioning of the various elements of the embodiments may better be understood by reference to the following detailed description. However, embodiments are not limited to those illustrated in the drawings. It should be understood that the drawings are not necessarily to scale, and in certain instances details may have been omitted that are not necessary for an understanding of embodiments disclosed herein, such as—for example—conventional fabrication and assembly. As used herein, the terms “embodiment” and “implementation” refer to examples of elements and/or configurations disclosed herein. The invention is defined by the claims, may be embodied in many different forms, and should not be construed as limited to the embodiments set forth herein; rather, these embodiments are pro-

vided so that this disclosure will be thorough and complete, and will fully convey enabling disclosure to those skilled in the art.

As used in this specification and the claims, the singular forms “a,” “an,” and “the” include plural referents unless the context clearly dictates otherwise. Directional terms “front,” “rear,” “up,” “down,” and variations thereof, refer to a relative direction, position, or orientation of an element, and do not limit the element to a particular configuration, unless otherwise specified. For example, a front side, edge or face, may refer to a rear side, edge or face, when an element is flipped from side to side, or upwards may refer to downwards when an element is turned 180 degrees. Ordinal numbers, such as “first,” “second,” “third,” are used herein to distinguish one element or component from another, but do not limit the order, orientation, or configuration of such elements in any way, unless specifically stated otherwise. For example, a first direction may refer to a forward or rearward direction, and a second direction may refer to a direction other than the first direction, or the first direction may be termed a second direction and vice versa, without departing from the scope of the present disclosure. The terms “cable,” “wire rope,” and “rope” are used interchangeably herein to refer to a length of steel or other metallic strands, or other resilient material, twisted, braided, or otherwise bound together, to create a cable having a sufficient overall diameter and length suitable for use in a roadside safety system to redirect errant vehicles upon impact of the vehicle with the cable or wire rope.

Some embodiments and implementations of a single anchor terminal for a roadside wire rope barrier and methods for installing and assembling a single anchor terminal are provided. Also provided are some embodiments and implementations of a method for triggering release of a cable from a single anchor terminal. The single anchor terminal includes a release post, a knee brace that supports the release post in an upright position, and an anchor base that includes a main post and a knee brace anchor. The knee brace extends rearwardly from the release post and includes an upper portion and a lower portion. The upper and lower portions of the knee brace are coupled with a release component. The main post of the anchor base supports the release post and the knee brace anchor is coupled to the knee brace. A cable is releasably coupled to the release post by an end portion of the cable, and the cable extends forwardly, or in the opposite direction to which the knee brace extends, from the release post. The other end of the cable is attached to another terminal, such as another single anchor terminal or other terminal, such that the length of the cable between the terminals is in high tension.

An implementation of a single anchor terminal 100 is shown in FIG. 1A. The single anchor terminal 100 includes a release post 102 and a brace 104 that extends from the release post 102 and supports the release post 102 in an upright position. The single anchor terminal 100 also includes an anchor base 106 having a main post 108 and a brace anchor 110 that extends from the main post 108 in the same direction as the brace 104. The brace 104 includes a first portion 112 and a second portion 114 adjoined or connected to the first portion 112 with a release component 116. The first and second brace portions 112, 114 can also be held together using fasteners 158 (e.g., machine screw with nut and bolt) that are designed to fail in tension. The release component allows the first and second brace portions 112, 114 to separate and/or become incapable of carrying a tension load. The release component may be configured, for example, as a fuse, fasteners 158, tabs, or other connectors,

or a weakened portion, whether by thinning, providing holes or other mechanical or chemical weakening, or any combination thereof.

The first portion **112** is attached to the release post **102**, for example with a fastener or hinge **118**, and may be rotatable relative to the release post **102**. The second portion **114** of the brace **104** is attached to the brace anchor **110**, such as by a fastener or hinge **120**, and may be rotatable relative to the brace anchor **110**. In some implementations, the release post **102** is angled relative to the ground, or inclined or angled towards the brace **104**, and the brace **104** is inclined or angled towards the release post **102**. In some implementations, a pair of notched plates **122**, **124** is disposed on opposite first and second faces of the release post **102** and a pair of keeper plates **126**, **128** is disposed adjacent the notched plates **122**, **124**. Some implementations of the single anchor terminal **100** include only one notched plate or three or more notched plates and/or one keeper plate or three or more keeper plates. The notched plates **122**, **124** and keeper plates **126**, **128** may each be formed as a single component or may comprise multiple components joined together. The release post **102** may include one or more holes strategically placed to cause the release post **102** to yield in a predictable, safe manner.

In some implementations, as shown in FIGS. 1B-1D, an embodiment of anchor base **1000** is provided for a single anchor terminal **100**. The anchor base **1000** includes a main post **1002** and a brace anchor **1004** that extends from the main post **1002** in the same direction as the brace **104**. The brace anchor **1004** includes a base plate **1006** and a brace base **1008**. In such implementations, the entire anchor base **1000** may be mounted above grade **1001**, such as by threaded rods inserted through openings or apertures **1010** formed in the base plate **1006** and into a foundational structure, such as a foundational pillar as shown in FIG. 9 and as discussed in further detail below. The anchor base **1000** may be installed so that each edge of the base plate **1006** is at least 12 inches from the edge of the foundation. Mounting the anchor base **1000** entirely above grade to an existing foundation, such as a concrete foundational pillar, may provide a convenient, lower cost alternative to embedding a main post **108** that extends further below grade **1001**. Benefits of installing the anchor base **1000** entirely above grade **1001** may also include easier replacement of parts and maintenance. Alternatively, the anchor base **1000** may be mounted partially or entirely below grade, for example, by embedding the base plate **1006** in concrete or cement.

As another example, the base plate **1006** may be anchored with fourteen (14) ASTM A449 $\frac{1}{2}$ " minimum 8" all-thread rods (with washers and hex nuts) and epoxy, with minimum pullout strength of 10,000 lbs and shear strength of 5000 lbs, or $\frac{1}{2}$ " mechanical anchors of comparable strength. The embedment depth of the rods may be 6" or greater with either type, with 2" protrusion (or more or less) above the base plate **1006**, and two threads or more exposed above the nut. It is contemplated that other fasteners or mounting systems may be used that would provide similar strength and stability to the system.

As shown in FIGS. 2 and 3A-3D, an exemplary roadside safety system **200** includes cables or wire ropes **202**, **204**, **206** that are connected to, or extend between, line posts **208**, terminal line posts **210**, **212**, **214**, and single anchor terminals **100**. Implementations of the roadside safety system may include more or less than three cables or wires ropes. In some implementations, the cables or wire ropes **202**, **204**, **206** are each a continuous length from end to end of the roadside safety systems or one or more of the cables or wire

ropes may be formed from two or more lengths of cable or wire rope connected together to extend from end to end of the roadside safety system. Terminal posts **210**, **212**, **214** are located nearer the single anchor terminals **100**, and are spaced more closely together than the line posts **208**. On a two-way road, vehicular traffic travels in a first direction indicated by arrow **216** and a second direction indicated by arrow **218** opposite the first direction. A vehicle **220** traveling in the first direction may impact the roadside safety system **200** along a path of impact **203** at an angle α relative to the longitudinal axes of the cables **202**, **204**, **206**, and within the length of need. In some instances, as shown in FIG. 3B, the vehicle **220** traveling in the first direction may impact the roadside safety system **200** head-on at the brace. In some instances, as shown in FIG. 3C, the vehicle impacts the release post **102** while traveling in a lateral direction **234** that is generally perpendicular to the longitudinal axis of the roadside safety system **200**. In some instances, for example, as shown in FIG. 3D, the vehicle impacts the system at a terminal portion of the cables **202**, **204**, **206** (e.g., between the beginning of the length of need and the single anchor terminal **100** where the cables are supported by terminal line posts **210**, **212**, **214**).

Embodiments of the single anchor terminal **100** are discussed in further detail, including with respect to when the vehicle **220** impacts the cables **202**, **204**, **206** within the length of need (LON) while traveling in the first direction or the second direction **218** (as shown in FIG. 3A), when the vehicle impacts the brace **104** while traveling in the first direction **216** (as shown in FIG. 3B), when the vehicle impacts the release post **102** and/or brace **104** while traveling in a lateral direction, e.g., generally perpendicular to the first and second directions (as shown in FIG. 3C), and when the vehicle **220** impacts the cables **202**, **204**, **206** within the terminal section (e.g., the section of the cables supported by terminal posts **210**, **212**, **214** between the length of need and the single anchor terminal, as shown in FIG. 3D).

In some implementations, for example, as shown in FIGS. 1A-1D and FIGS. 2-4, the cables **202**, **204**, **206** terminate in end portions **222**, **224**, **226** that are received in first and second notched plates **122**, **124** and extend through first and second keeper plates **126**, **128**. First notched plate **122** and first keeper plate **126** face away from the release post **102** in the first direction (e.g., in the direction of arrow **216**). Second notched plate **124** and second keeper plate **126** face away from the release post **102** in the second direction (e.g., in the direction of arrow **218**). The first face of the release post **102** is a surface of the release post facing in the first direction and the second face is a surface of the release post **102** facing the second direction. The release post **102** also has a third face adjacent the first and second faces and a fourth face opposite the third face and adjacent the second and first faces. It should be understood that each face is generally the portion of the component facing in the particular specified direction, and may be, for example, planar, curved, irregular or any combination thereof. The post may have a rectangular cross-section, or other cross-sectional shape or shapes (e.g., circular, H, I, W, U, Z, triangular, etc.). End portions **222**, **224**, **226** of the cables also include end fittings (or fitting studs) **228**, **230**, **232** that keep the cable ends from fraying and/or abut against the notched plates **122**, **124** and/or keeper plates **126**, **128** to maintain tension in the cables **202**, **204**, **206** between terminals **100**.

With reference to FIG. 1A, a portion **130** of the main post **108** may be installed below grade, or below ground surface, such as in a foundation (e.g., a reinforced concrete foundation installed below ground surface S) and a portion **132** of

the main post **108** is installed above grade, or above ground surface S. Alternatively, the entire main post **108** is installed below grade. In some implementations, the main post **1002** (e.g., as shown in FIGS. 1B-1D), is preferably installed entirely above grade. It is contemplated, however, that main post **108**, **1002** can be installed entirely above grade, partially above grade or entirely below grade. A flat plate **134** is attached, for example, by welding, to the end of the portion **132** of the main post **108**, **1002** extending above grade. The flat plate **134** can be rectangular plate of ASTM A36 Steel, or other suitable material, that is 7 inches wide, 8.5 inches high and 0.5 inch thick. A flat plate **136** is also attached, for example, by welding, to one end of the release post **102**. The flat plate **136** of the release post **102** is installed on top of the flat plate **134** of the main post **108**, **1002** such that corresponding apertures or openings in the flat plates **134**, **136** on either of the first or second face of the release post **102** are configured (e.g., sized, shaped, and located) to receive construction bolts **138** that position the release post **102** above the main post **108**. In some implementations, the flat plate **136** of the release post **102** is attached directly to the base plate **1006** of anchor base **1000**. The shear strap **148** may also be mounted directly to the base plate **1006**. In such implementations, the main post **1002** and flat plate **134** are not included. The construction bolts **138** are configured (e.g., sized and of suitable material) to support the release post in an upright position against environmental conditions, such as weather and interactions in regular maintenance. However, when a vehicle impacts the single anchor terminal **100**, such as at the cables **202**, **204**, **206**, the release post **102**, or the brace **104**, the construction bolts **138** are configured to fail without significant deformation. In some implementations, the flat plate **136** of the release post is shorter than the flat plate **134** of the main post **108**, **1002**, such that a first edge **140** of the flat plate **136** is generally aligned with a first edge **142** of the flat plate **134** of the main post **108**, **1002**, and a second edge **144** of the flat plate **136** extends towards a second edge **146** of the flat plate **134**. A gap between the second edge **144** of plate **136** and the second edge **146** of flat plate **134** is configured to fit a shear strap **148** that is fastened or attached with bolts or fasteners **150**, or other means, to the flat plate **134** of the main post **108**. The second edge **144** of flat plate **136** abuts against the shear strap **148**, so as to prevent the release post **102** from slipping in the first direction due to tension in the cables pulling in the first direction. The bolts or fasteners **150** are configured to hold the shear strap in place during and after vehicle impact in any direction. With reference to FIG. 1A, for example, a portion **152** of the brace anchor **110** may be installed above grade and a portion **154** of the brace anchor **110** may be installed below grade. In some embodiments, the entire brace anchor **110** is installed below or above grade. The brace anchor **110** extends in the second direction away from the main post **108** and is connected to the main post **108** by a strut or connecting arm **156**, for example, such that the brace anchor **110** and connecting arm **156** form a triangle, or a truss, with a section of the main post **108**. In some implementations, the connecting arm **156** is generally perpendicular to the main post **108** and the brace anchor **110** forms a 45 degree angle with the main post **108**. The angle of the connecting arm **156** and the brace anchor **110** may vary in some embodiments without varying from the scope of this disclosure.

Turnbuckles are installed along the cables **202**, **204**, **206** between line posts to adjust tension along the length of the cables, such as to maintain high tension in the cables. In some implementations, turnbuckles are not installed in or at

the terminal **100** or in the transition between the terminal **100** and the length of need (LON). Instead, the turnbuckles are installed between line posts **208**, such as between the sixth and seventh posts along the cables, counting the release post **102** of the single terminal anchor **100** as the first post. The cables **202**, **204**, **206** are arranged in an alternating configuration on opposing faces of the release post **102**, such that the top cable **202** and bottom cable **206** are located on the third face of the release post **102** and the middle cable **204** is located on the opposing fourth face of the release post **102**. When the single anchor terminal **100** is installed along the side of the road for vehicular traffic traveling in the first direction, as shown in FIGS. 3A-3D, for example, the top and bottom cables **202**, **206** are installed on the field side (e.g., nearer the face of the release post facing away from traffic) and the middle cable **204** is installed on the traffic side (e.g., nearer the face of the release post facing traffic). Other implementations may include less than three cables or more than three cables, and the cables may be installed in a different alternating configuration or in any other order, such as with all cables on the field side or the traffic side. In some implementations, the cables comprise strands of steel wire that are twisted, braided, or otherwise bound together, to form a 0.75-inch diameter cable extending a length of 614 feet between the terminal posts **100**.

As shown in FIG. 5, a notched plate **122**, **124** has a width W, height H and thickness T with notches **302** formed along, or laterally opening at, the side edges **304**, **306** of the plate **122**, **124**. The notches **302** each have a curved inner edge **308** with a radius R_{notch} , a downward sloped edge **310** and an upward sloped edge **312**. In some embodiments, the notches **302** have the same radii and the sloped edges are all inclined at the same angle relative to the top or bottom edges **314**, **316** of the plate **122**, **124**. Alternatively, the notches **302** may have varying radii and edges sloped at different angles. The notches **302** are sized to receive the end portions **222**, **224**, **226** of cables **202**, **204**, **206**. End fittings **228**, **230**, **232** of the cables are sized to abut against the inner edges **308** of the notches **302** when the cables **202**, **204**, **206** are in tension. When a vertical, or upward or downward, force is applied to the cables **202**, **204**, **206**, the sloped edges **310**, **312** allow the end portions **222**, **224**, **226** of the cables to slide along the sloped edges **308**, **310** and to be released from the notches **302**. Although four notches **302** are shown in FIG. 5, other embodiments can include more or less notches. In some implementations, a cable is received in each notch **302**. In some implementations, one or more notches **302** remain unused. The notches **302** in opposite edges are arranged in an alternating side-to-side configuration. The notched plate **122**, **124** also includes apertures or openings **318** that receive a bolt, or other fastener, to attach the notched plate **122**, **124** to the release post **102**. Other means of coupling the notched plate **122**, **124** to the release post **102** are also contemplated, including for example, welding, rivets, interlocking connections (e.g., interlocking wedges), or any other known mechanical means. In some implementations, the first notched plate **122** is 6 inches wide, 8 inches high and 0.75 inch thick and the second notched plate **124** is 6 inches wide, 9 inches high, and 0.25 inch thick. In other embodiments, the first and second notched plates **122**, **124** have different dimensions or share the same dimensions. With reference to FIGS. 2 and 3, when the single anchor terminal **100** is installed along a side of a roadway, some of the laterally opening notches **302** on side edges **304**, **306** open towards the traffic and some of the notches **302** open toward the field side (e.g., away from traffic).

FIG. 6 shows an embodiment of a keeper plate 126, 128 in further detail. The keeper plate 126, 128 includes apertures or openings 402 formed therein to receive the end portions 222, 224, 226 of cables 202, 204, 206. The apertures 402 align with notches 302 of the notched plate 122, 124 to allow cables 202, 204, 206 to extend through the apertures 402 of the keeper plate 126, 128 and corresponding notches 302 in the notched plate 122, 124. The keeper plate 126, 128 also has apertures 404 that are configured (e.g., sized, shaped, and located) to receive a bolt, or other fastener, to attach the keeper plate 126, 128 to the release post 102. Other means of coupling the keeper plate 126, 128 to the release post 102 are also contemplated, including for example, any suitable mechanical means, such as using rivets or interlocking components, or welding. Use of fasteners, or other removable or detachable means, may be preferable to allow easier replacement of keeper plates. The top and bottom sides 406, 408 of the keeper plate 126, 128 align with the top and bottom sides 314, 316 of the notched plate 122, 124. The keeper plate 126, 128 also has sides 410, 412 that align with sides 304, 306 of the notched plate 122, 124.

In some embodiments, the keeper plates 126, 128 are disposed between the notched plates 122, 124 and the release post 102. Alternatively, the notched plates 122, 124 are installed between the keeper plates 126, 128 and the release post 102, and the end fittings 228, 230, 232 of the cables abut against the keeper plates 126, 128 to maintain the cables in the notches of the notched plates.

As shown in FIG. 7, an example of an embodiment of a brace anchor 110 is formed from a rectangular steel tubing, such as HSS 5"x3"x $\frac{3}{8}$ ", ASTM A500 Grade B/C tubing. Use of other structural materials with similar material properties and/or different sized and/or shaped cross sections and/or strength are contemplated. In some embodiments, the brace anchor 110 is formed from wood, plastic, or a composite material with suitable strength and cross-section. The brace anchor 110 is attached to the strut or connecting arm 502, which is attached by an attachment plate 504 to the main post 108. At a first end 506, the brace anchor 110 is connected to the main post 108 by an attachment plate 508 and bolt, or other fastener, 510. The first end 506 of the brace anchor is angled to form a flat or flush connection surface with the main post 108. In some implementations, the brace anchor 110 and connecting arm 502 are attached to the main post 108 by other means, such as directly attached by welding. The second end 512 has a chamfered surface 514 that is generally parallel to the surface S of the ground. The brace 104 of the single anchor terminal 100 is attached to the second end 508 of the brace anchor 110, such as by receiving a bolt or fastener through an aperture or opening 516 in the second end 512 of the brace anchor. When installed, in some implementations, the aperture 516 and chamfer 514 extend above grade to attach with the brace 106. The hollow rectangular tubing forming the brace anchor 110 can be partially or entirely filled with concrete and/or other foundational material for additional reinforcement. The connecting arm 502 can be formed from an I-beam section and is installed below grade, above grade, or partially above grade.

An example of an embodiment of a portion 112, 114 of a brace 104 is shown in FIG. 8. As discussed with respect to FIGS. 1A-1D, the brace 104 includes a first portion 112 and a second portion 114, which can be fabricated as identical portions 112, 114. The brace portion 112, 114 has a catch 602, for example, configured as a tooth, and an indent 604 formed at a first end 606 of the brace portion 112, 114. At a second end 608 of the brace portion 112, 114, an aperture or

opening 610 is formed. The catch 602 has an inclined edge 612 and a flat edge 614 that is generally perpendicular relative to a longitudinal axis $X_{brace\ portion}$ of the brace portion 112, 114. In some embodiments, the inclined edge 612 is at a 45-degree angle relative to the surfaces 616, 618 of the brace portion 112, 114. The indent 604 has an inclined edge 620 and a flat edge 622 that is generally perpendicular with the longitudinal axis $X_{brace\ portion}$ of the brace portion 112, 114. The flat edge 622 of the indent 604 forms the flat edge 614 of the catch 602. Alternatively, the catch 602 and the indent 604 are spaced apart and the flat edge 614 of the catch is generally parallel with the flat edge 622 of the indent. The inclined edge 620 of the indent 604 is formed at the same angle as the inclined edge 612 of the catch 602, such that when two portions 112, 114 are arranged at 180 degrees relative to each other the catch 602 of one fits into the indent 604 to form an interlocking connection, wherein the catch 602 of one brace portion fits into the indent 604 of the corresponding brace portion. For example, as shown in FIG. 1A, the first and second portions 112, 114 of the brace 104 are each formed from the exemplary embodiment of portion 112, 114 shown in FIG. 8. The inclined edge 612 of the catch 602 of the first portion 112 faces the inclined edge 622 of the indent 604 of the second portion 114; and the flat perpendicular edge 614 of the catch 602 of the first portion 112 faces the flat perpendicular edge 622 of the indent 604 of the second portion 114.

In some embodiments, the brace portion 112, 114 is machined or formed from ASTM A572 Grade 50 material, with outer dimensions measuring 19.875 inches long, 2 inches wide, and 0.75 thick. To facilitate release of the first and second portions 112, 114 from an interlocking position, as described in further detail that follows, a chamfer 624 is formed in the flat perpendicular edges 614, 622 of the catch 602 and indent 604. The catch 602 also has a flat edge 626 that is generally parallel with the longitudinal axis $X_{brace\ portion}$ and the indent 604 has a flat edge 628 that is generally parallel with the longitudinal axis $X_{brace\ portion}$. A first hole 630 extends from the flat edge 626 of the catch 602 through the surface 616 of the brace portion 112, 114 opposing the flat parallel edge 626 of the catch 602. A second hole 632 extends from the flat edge 628 of the indent 604 through the surface 616 of the brace portion 112, 114 opposing the flat parallel edge 628 of the indent 604. When two brace portions 112, 114 are arranged in an interlocking configuration, the first and second holes or apertures 630, 632 of one brace portion align or are complementary with the second and first holes or apertures 632, 630 in the other brace portion, so as to receive a fastener to hold together the adjoining ends of both brace portions.

An example of a foundation 700 for a single anchor terminal 100 is shown in FIG. 9. The foundation 700 is formed from a concrete column 702 that is reinforced with reinforcing bars 704 and/or reinforcing rings 706. In some embodiments, the anchor base 106 may be installed in a foundational column 700 with a portion of the main post 108 and a portion of the brace anchor 110 extending above grade. In some embodiments, the anchor base 1000 may be installed entirely above grade and on the top surface of the foundational column 700. For example, anchor base 1000 may be mounted to the foundational column 700 using threaded rods, or other suitable fasteners. Alternatively, the base plate 1006 may be mounted above or below grade. The top of the foundational column 700 is flush with the surface of the ground, e.g., at grade. Because the brace anchor 110 is configured to extend from the main post 108, 1002, a single foundational column can provide or support two

anchoring points—one for the release post **102** and one for the brace **104**. Thus, the single anchor terminal **100** can be easier to install and less expensive than systems that require more than one foundational structure to provide multiple anchoring points.

The system may allow cables to terminate at a location above grade greater than other existing terminal systems. This may provide improved performance during impact because there is less difference in the height at which cables are held at a terminal post **210**, **212**, or **214** compared to the height at which cables are held at a post **208** within the length of need, and compared to the height at which cables are held at the single anchor terminal **100**. Overall terminal length may also be reduced relative to other types of cable barrier systems. Reduction in terminal length may also reduce exposure to impact. The single anchor terminal **100** also may reduce deformation to components and allow more components, such as the release post, to be reused after impact. Single Anchor Terminal Failure Modes.

Failure Mode No. 1: With reference to FIG. 3D, when a vehicle **220** traveling in either the first direction or the second direction impacts the cables **202**, **204**, **206** within the terminal section (e.g., outside the length of need) of the cables **202**, **204**, **206**, the vehicle **220** can impose lateral forces (e.g., from pushing the cables out away from the road) and vertical forces (e.g., from the cables sliding up over the vehicle or getting caught under the vehicle). Lateral forces applied on cables **202**, **206** that are mounted on the field side (or the side opposing the impact side) of the singled anchor terminal will push the cables **202**, **206** against outer edges of the apertures **402** on the field side of the keeper plates **126**, **128** until the cables **202**, **206** tear through the section of the keeper plates **126**, **128** between the outer edges of the keeper plate apertures **402** and the outside edges of the keeper plates **126**, **128**, thereby releasing the field side cables **202**, **206** (e.g., allowing the cables to move from an anchored position to a released position, free of any engagement with the keeper plates **126**, **128**) from the notches **302** that open laterally towards the field side of the notched plates **122**, **124**. The traffic or impact side cables **204** are pushed against the inner edges of the keeper plate apertures **402** and the inner edges of the notches **302**, and rotate about the internal edges of the impact side lateral notches **302** of the first notched plate **122** to generate increasing torque until the keeper plates **126**, **128** reach failure mode and allow the impact side cable to tear through the apertures **402** of the keeper plates and release from the impact side lateral notches **302**.

Vertical forces applied on the cables **202**, **204**, **206** may cause the cables to slide along the upward and/or downward sloped edges **308**, **310** and out of the notches **302** of the notched plates **122**, **124** and break or tear through edge portions of the keeper plates **126**, **128**, thereby releasing the cables **202**, **204**, **206** from the anchored position. The first point of failure is in the keeper plates **126**, **128**, when the cables break or tear through the keeper plate apertures **302**. As used herein, the term “break” means to cause a component to reach failure mode at one or more portions or locations on, along, or in the component. The term “breakable” refers to a component that is able to break or fail, such as in a particular failure mode if one is specified, including, for example and without limitation, shearing, tearing, fracturing, and/or other known types of failure.

The keeper plates **126**, **128** are designed to maintain sufficient resistance or tension in the cables to redirect the vehicle **220**, while minimizing damage to the vehicle and injury to occupants by allowing the cables to tear through the

keeper plates **126**, **128** after a predetermined load or tension in the cables is reached. The shear strap **148** and brace **104** also provide resistance against movement of the release post **102** in the first direction, so as to maintain sufficient tension in the cables to redirect the errant vehicle **220**. The brace portions **112**, **114** remain in an interlocked configuration to support the release post **102** in an upright position. In the interlocked configuration, tension in the cables causes the flat perpendicular edge of the catch **602** of the first brace portion **112** to abut against the flat perpendicular edge of the indent **604** of the second brace portion **114**. In the released configuration, e.g., when the catch **602** of the first portion **112** is released from the indent **604** of the second portion **114**, the brace **104** provides no resistance to the release post **102**, and tension in the cables will cause the release post **102** to collapse in the first direction **216** tipping over the edge of the shear strap **148**.

Failure Mode No. 2: With reference to FIG. 3A, when a vehicle **220** traveling in either the first direction or the second direction impacts the cables **202**, **204**, **206** within the length of need, the vehicle **220** can impose lateral forces e.g., from pushing the cables out away from the road). Tension in the cables **202**, **204**, **206** may redirect the vehicle **220**, such as to guide the vehicle **220** back towards the road, or to prevent the vehicle from passing through the cable barrier system into a hazardous zone. In some implementations, the cables **202**, **204**, **206** may remain in the keeper plates while the vehicle **220** remains in the length of need. In collisions where the vehicle **220** initially impacts the length of need, and continues to travel (in contact with the cables **202**, **204**, **206**) and reach the terminal section, Failure Mode No. 1 may apply if the predetermined load or tension in the cables is reached, as discussed above. It is contemplated, however, that in sufficiently high impact collisions, the cables **202**, **204**, **206** may release while the vehicle **220** impacts the length of need.

Failure Mode No. 3 (Head-on Impact): When a vehicle **220** is traveling in the first direction **216** and directly impacts the brace **104** (for example, as shown in FIG. 3B), the release component **116** is triggered to release the brace from the interlocked configuration to the released configuration. In other words, the first point of failure is in the brace **104**. The release component can include the adjoining portions of the first and second brace portions **112**, **114** and the one or more fasteners **158** that hold the teeth **602** and indents **604** of the adjoining ends together, as shown in FIGS. 1 and 4. The release component **116** is triggered when force is applied in the first direction anywhere along the surface of the brace **104** that is facing the second direction. The force in the first direction applies tension in the fastener **158** until the fastener fails in tension and allows the catch **602** of the first portion **112** to be released from the indent **604** of the second portion **114**, allowing the brace **104** to fold in and collapse towards the ground. Collapsing the brace portions **112**, **114** releases the tension in the release post **102**, and tension in the cables can be sufficient to cause the release post **102** to collapse in the first direction, tipping over the shear strap **148**. Alternatively, once the release component **116** is triggered, the release post **102** will not resist vehicle impact on the release post **102**, and the bolts **158** will fail in tension allowing the release post **102** to collapse without twisting, bending, or otherwise causing significant deformation to the release post **102**. Thus, the release post **102** can be reinstalled by replacing the bolts **158** and the brace **104**. It is contemplated that in some implementations there will be significant deformation in the release post **102** that would require replacing the release post **102** after the collision.

Failure Mode No. 4 (Reverse Impact): When a vehicle 220 is traveling in the second direction and the first point of impact is with the release post 102, the impact induces compressive forces along the longitudinal axes of the brace portions 112, 114. The inclined edge 612 of the catch 602 of the first brace portion 112 slips against the inclined edge 620 of the indent 604 of the second brace portion 114, and vice versa, thereby triggering the release component 116, decoupling the adjoining ends of the first and second portions 112, 114 of the brace 104, and causing the brace 104 to collapse. In implementations where the adjoining ends of the first and second brace portions 112, 114 are held together by one or more fasteners 158, the brace collapses when the fasteners 158 fail in tension. The fasteners 158 are designed to not to resist impact from vehicles traveling in the second direction, so as to allow the release post 102 to lay over collapse in the second direction after the release component 116 is triggered.

Failure Mode No. 5 (Lateral Impact): When a vehicle 220 impacts the single anchor terminal 100 from a lateral direction (for example, as shown in FIG. 3C), e.g., perpendicular to the first and second directions, the construction bolts 138 and the brace fasteners 158 fail in tension to allow the release post 102 to collapse in the lateral direction (e.g., in the same direction that the vehicle is traveling). The brace 104 does not provide support to the release post 102 in the lateral direction. Collapse of the release post 102 also releases tension from the cables 202, 204, 206. In some collisions, the cables 202, 204, 206 are released from the anchored position.

In one embodiment, the single anchor terminal 100 comprises a high-tension anchor release post 102 coupled to a knee brace 104 and an anchor base 106. The release post 102 may be inclined towards the knee brace 104 to provide for increased wire rope anchorage and release performance. Front and rear notched plates 124, 122 attached to the release post 102 can accommodate lateral and vertical release, but provides a strong tension anchor. Keeper plates 126, 128 retain terminal studs at the end of each wire rope attached to the release post 102. The knee brace 104 includes interlocking members 112, 114 that brace or support the release post 102.

Notched plates 122, 124 and keeper plates 126, 128 may be bolted, welded, or locking to the release post 102. The release post 102 may be a rectangular or W-section, built-up member, solid stock, 3D printed, etc. The notched plates 122, 124 may be formed using the flanges of a W-section release post. The shear strap 148 may be made from various cross-sections or materials, including, for example, cast aluminum, cast iron, cast steel, or other frangible materials. The trigger brace 104 may be made from ductile material that fails by net section fracturing, such as brittle material that fractures on impact, and is strong in tension, weak in bending connection.

Yielding holes may be located on alternate flanges of each terminal post at grade to assist with the post twisting and laying down in a predictable manner. In some implementations, the release post 102 is made of frangible material that fractures in a predictable manner. The system can include terminal posts bolted into sleeved foundations to reduce the possibility of projecting posts. The system is symmetrically designed to be able to work with three or four cables or wire ropes, or any other number of cables or ropes, in both median and shoulder roadway applications. In addition, the system works with various wire rope barrier systems with similar cable heights. The terminal posts are designed to work in either round or square post sleeves.

The single anchor terminal 100 is a roadside safety device that can be used with wire rope safety systems, such as Trinity's Wire Rope Safety System (CASS™) TL-3 or TL-4 wire rope barrier or other National Cooperative Highway Research Program (NCHRP) Report 350 or AASHTO MASH qualified wire rope barriers with similar wire rope heights. The wire rope barrier serves to redirect errant vehicles that leave the roadway, thus aiding in preventing potential head-on collisions with other vehicles. During an impact in the length-of-need (LON), the wire ropes serve to capture and redirect the errant vehicle. The single anchor terminal 100 is designed to provide a single termination point for the cables or wire ropes, in either a three or four wire rope system.

A Trinity CASS™ S3 system and two single anchor terminals 100 were installed, as shown in FIGS. 2 and 3, for a full-scale crash test to evaluate the system's performance in redirecting a passenger pickup truck when impacted at the beginning LON. The system had three wire ropes 202, 204, 206 with an overall length of 614 ft. Each wire rope was 0.75-inch diameter, cut to length, and 1-inch diameter end fittings were field-applied per the manufacturer's instructions. A single 0.75-inch turnbuckle was installed on each wire rope between posts 6 and 7. Turnbuckles were not installed in the terminal or transition between the terminal and LON. Each wire rope 202, 204, 206 was tensioned to the manufacturer's specification of 4200 lb for an installation temperature of 100° F., as specified in MASH.

Single anchor terminals 100 were used for the upstream and downstream anchorage (post 1 and 36). As used herein and with reference to FIG. 3, "upstream" refers to portions of the roadside safety system that precede the point of impact (e.g., to the right of the vehicle 220 shown in FIG. 3), and "downstream" refers to portions that are beyond the point of impact (e.g., to the left of the vehicle 220 shown in FIG. 3). The overall length of each terminal was 23 ft 6 inches and contained three terminal line posts (posts 2 through 4). Post 2 was located 10 ft on center, downstream from the single anchor terminal (post 1). Posts 3 and 4 were each spaced 78 inches on center beyond post 2. The beginning LON for the upstream terminal was defined 2 ft downstream of post 4. The downstream terminal had post spacing and beginning LON equal to the upstream terminal. The beginning LON for the downstream terminal was defined as 2 ft upstream of post 33. Posts in the LON were spaced 21 ft on center between posts 4 and 32.

With reference to FIG. 10, the terminal line posts 210, 212, 214 were U-shape Rib Bak #4 posts. Their overall lengths were 48 inches and were inserted into pipe sleeved foundations 800. Their strong axes were oriented perpendicular to the length of the installation and their open face toward the traffic side. The pipe sleeves 802 had outer dimensions of 4 inches×15-inches long and had a 13-gauge wall thickness. The bottom of each pipe sleeve 802 was sealed using a low density polyethylene cap 804 and was installed in 12-inch diameter×32-inch deep drilled shaft concrete foundation 800. The top 806 of each pipe sleeve was 1.25-inches above grade. Each foundation was reinforced using a single 8 inch outer diameter #3 reinforcing ring 808 located approximately 3 inches below the top of the foundation and two vertical #4 reinforcing bars 28-inches long. One vertical bar 810, 812 was placed on the traffic and field side of each pipe sleeve 802. The terminal line posts 210, 212, 214 were inserted to near the full depth of these sleeves. A 0.375-inch diameter hole was located 0.625 inch from the top of each pipe sleeve 802, on the field side. This hole corresponded with a 0.375-inch diameter hole in the

web of each terminal line post located approximately 34.375 inches from the top of each post. The terminal line posts were bolted to each sleeve using a single 0.3125-inch diameter bolt **814**.

As shown in FIG. **11**, the wire ropes **202**, **204**, **206** were supported in the LON using slotted posts **902** fabricated from S3×5.7 structural section. Each post **902** was 60-inches long and was inserted 14 inches into a sleeved foundation **904**. Their weak axes were oriented perpendicular to the length of the installation. A slot was cut through the web of the S3×5.7 to accept the top wire rope **202**. The top wire rope **202** rested in the bottom of the slot and was located approximately 38 inches above grade. A stainless steel shear strap was placed around the S3×5.7 flanges above the top wire rope. The bottom wire rope **206** was positioned approximately 17.75 inches above grade and supported by a 0.3125-inch diameter shoulder hook or “J” bolt **906** attached to the post’s flange, opposite of impact and with the open end down. The second wire rope **204** was positioned 29.75 inches above grade and supported by a “J” bolt **908** attached to the other flange with the open end down.

The sleeves **910** had outer dimensions of 3 inches×4 inches×27-inches deep. Each post rested on pre-punched tabs **912** located 14 inches below grade in each sleeve to maintain its vertical height. The sleeves **910** were installed in 12-inch diameter×30-inch deep drilled shaft concrete foundations **904**. The top of each sleeve and foundation were flush with grade. Each foundation was reinforced using a single 8-inch outer diameter #3 reinforcing ring **914** placed approximately 3 inches below the top of the foundation.

With reference to FIGS. **1A** and **9**, the single anchor terminal **100** is a system of components that include a reinforced concrete foundation **702**, anchor base **106**, and release post **102**. The reinforced concrete foundation **702** was a 7-ft deep×36-inch diameter drilled shaft. The foundation **702** was reinforced using 12 vertical #5 reinforcing bars **704** and 14 #3 reinforcing rings **706**. The reinforcing rings **706** were 30-inch outer diameter and equally spaced on 6 inch centers. The 12 #5 vertical reinforcing bars **704** were equally spaced inside the reinforcing rings **706** and were 79.5 inches long.

The anchor base **106** was fabricated from W6×15 structural section (e.g., main post **108**) capped with a 7 inch×8.5 inch×0.5-inch thick flat plate **134**. The W6×15 was set within the reinforced concrete foundation **700**, offset 6 inches downstream, center-to-center from the concrete foundation with its strong axis perpendicular to the length of the installation. The flat plate **134** was welded to the top of the W6×15 main post **108** with its 7-inch length oriented parallel to the W6×15 post’s strong axis. The edge of the plate **134** was offset 1.75 inches from the downstream flange of the W6×15. The anchor post **108** extended 46.5 inches into the concrete foundation **702**. The overall height above grade, to the top of the flat plate **134**, was 2 inches. A 7-inch long shear strap **148**, fabricated from 2-inch wide×0.375-inch thick flat bar, was bolted to the top, downstream edge of the flat plate **134**. These were bolted together using three 0.625-inch diameter bolts **150**. These bolts **150** were centered along the centerline of the shear strap **148** and spaced 2.5 inches apart. The anchor base **106** and reinforced concrete foundation **702** were re-used from previous tests performed. The shear strap **148** was re-used from the previous test performed.

The release post **102** was fabricated from an approximately 44.6-inch long HSS3×5×0.375 hollow structural tube section welded to a 7-inch wide×6-inch long×0.25-inch thick flat plate **136**. This flat plate **136** nested atop and

against the anchor base **106** and shear strap **148**, respectively. The release post **102** abuts against the shear strap **148** such that the shear strap **148** prevents the release post from slipping relative to the anchor base while the ropes are in tension. The release post **102** was oriented with its strong axis perpendicular to the length of the installation. The release post **102** tilted upstream 6.5 degrees from vertical. When installed on the anchor base **106**, the release post **102** extended approximately 46 inches above grade. The release post **102** was re-used from the previous test performed.

The release post plate **136** and anchor base plate (or flat plate) **134** interlock together for a unidirectional, shear-only connection. This connection was designed to carry shear-only from the tensile load of the wire ropes **202**, **204**, **206** and cannot develop shear resistance in the reverse direction (i.e., the second direction indicated by arrow **218** as shown in FIG. **3**). The shear plane was aligned parallel with grade. To ensure alignment during construction, the two plates were retained together using two 0.3125-inch diameter bolts **138**. These bolts **138** were located in the center of the connection, perpendicular to the length of the installation, and 1 inch from each edge of both plates **134**, **136**. A 1.5-inch diameter hole was drilled in each plate **134**, **136** for water drainage and hot-dip galvanizing.

The approximate height of each wire rope **202**, **204**, **206**, horizontally through the upstream terminal (between posts **2** and **4**), was 14.25, 25.50, and 29.25 inches above grade from bottom to top, respectively. Between post **2** and the single anchor terminal **100**, the wire ropes **202**, **204**, **206** descend to their respective termination heights. These heights are discussed in detail below. Between posts **4** and **5**, the wire ropes **202**, **204**, **206** ascend to their respective LON heights. Each wire rope **202**, **204**, **206** was restrained vertically at each post using a single 0.3125-inch diameter locking hook bolt. The locking hook bolts were attached to the terminal line posts through pre-located holes in the web of the posts. The downstream terminal had details and dimensions equal to the upstream terminal.

The wire ropes **202**, **204**, **206** terminated into the single anchor terminal **100** at approximately 6.8, 8.7, and 10.2 inches above grade at approximate angles of 4.1, 8.9, and 8.9 degrees from horizontal from bottom to top, respectively. These measurements were taken at the intersection of a vertical axis, which is coincident with the midpoint of the base of the release post **108** and each wire rope fitting **228**, **230**, **232**. The wire rope fittings **228**, **230**, **232** terminate in an alternating (side-to-side), staggered fashion, with the top and bottom wire ropes on the field side and the middle wire rope on the traffic side. An 8-inch×6-inch×0.75-inch thick steel plate **124** and a 9-inch×6-inch×0.25-inch thick plate **122** were attached to the front (downstream) and rear (upstream) of the release post, respectively. The plates **122**, **124** had angled notches **302** (as shown in FIG. **5**), two each side, that align with a specific wire rope’s orientation. The wire rope’s fitting stud **228**, **230**, **232** passes through these notches. The angled faces **310**, **312** of the notches facilitate the wire rope’s release if a significant vertical load is induced. This connection provides strength in tension, but releases if significant lateral or vertical loads are induced. The wire rope fittings **228**, **230**, **232** are held in place using two 20-gauge steel keeper plates **126**, **128**, on each side of the release post **102**. These plates **126**, **128** were located between the front and rear notched plates **124**, **122** and the release post. The notched plates **122**, **124** and keeper plates **126**, **128** were fastened to the release post **102** using two

0.5-inch diameter bolts that pass through the entire assembly. Each wire rope fitting **228**, **230**, **232** was fastened using a washer and double nut.

To resist the moment introduced into the release post **102** by the wire rope's eccentricities and angles, the release post **102** was braced approximately 30.2 inches above grade. The knee brace **104** used was fabricated from 2-inch wide×0.75-inch thick flat steel strap cut into interlocking sections **112**, **114**. Each section **112**, **114** was 19.875-inch long overall and had a 0.75-inch diameter hole **610** located 1 inch from one end, along its centerline, or longitudinal axis $X_{brace\ portion}$. Opposite the hole, a catch, **602**, configured as a single 0.5-inch deep tooth, was located along the section's centerline. Two sections **112**, **114** were placed together, rotated 180 degrees about each centerline, and retained together using two #8-32 machine screws **158**, lock washers, and nuts. Each machine screw **158** was located 1.75 inches on each side from the tooth face **626** (for example, as shown in FIG. **8**). The overall hole-to-hole length for two sections connected was 31.25 inches. One 0.625 inch diameter×6.5-inch long bolt **118** passed through both knee braces **104** and the release post **102**. The nut was not tightened. The knee brace **104** descended to an at grade anchor at 66 degrees from horizontal.

The knee braces **104** anchored to a HSS3×5×0.375 hollow structural section **110** that extended approximately 3 inches above grade. A single 0.625 inch diameter×6.5-inch long bolt **120** passed through both knee braces **104** and the HSS3×5×0.375 brace anchor **110**. The nut was not tightened. The base of the HSS3×5×0.375 hollow structural section **110** attached to the W6×15 anchor base post **108** at about 12.75 inches below grade using two 0.5-inch diameter bolts **510**. This HSS3×5×0.375 brace anchor **110** extended upward at a 45 degree angle. A S3×5.7 ground strut **502** (for example, as shown in FIG. **7**) was used to form a truss-type connection between the diagonal HSS3×5×0.375 brace anchor **110** and the W6×15 main post **108**. This ground strut **502** was bolted to the W6×15 main post **108** using two 0.5-inch diameter bolts **510**, and was welded to the diagonal HSS3×5×0.375 hollow structural section **110**. These components were encased in the reinforced concrete foundation **702** (for example, as shown in FIG. **9**).

In a reverse direction impact (e.g., impact from a vehicle traveling in the second direction, for example, as indicated by arrow **218** in FIG. **3**), notches in the front and rear notched plates allow the wire ropes to maintain tension only. If lateral loading (side-to-side) (e.g., perpendicular to the second direction) is induced, the wire rope end fittings **228**, **230**, **232** release by tearing through the keeper plates **126**, **128**. As a vehicle approaches the terminal **100**, this lateral loading increases and causes the wire rope end fittings to rotate out of the notches **302**. The notched plates **122**, **124** may act as a fulcrum, such that ropes **204** attached to notches **302** on the side of the impact will rotate about the edge **306** of a notch in the notched plate **126** and ropes **202**, **206** attached to notches on the side opposite of impact will rotate about the edge **306** of a notch **302** in the notched plate **124** until the keeper plates **126**, **128** fail. The notches **302** have a sloped top and bottom **308**, **310** to facilitate release if vertical load (up-and-down) is induced. As the vehicle approaches the terminal **100**, it may push the wire ropes toward the ground or pull them up over the vehicle. This loading will cause the wire rope end fittings **228**, **230**, **232** to bear against the top or bottom slope of the notch **302** and rotate out of the notch **302**.

Once the wire ropes **202**, **204**, **206** have released, whether from lateral or vertical load, the base of the release post **102**

rests on an anchor **108** that does not develop significant resistance in the reverse direction. Construction bolts **138** may be used to support the release post **102** against minor impact, such as from weather or maintenance. The construction bolts **138** are designed to shear before sufficient resistance develops to cause deformation to the release post **102**, such that the release post **102** may be reinstalled for subsequent use. The release post **102** will simply rotate about the bottom of the knee brace **104** bolt and lay over. If the release post **102** does not rotate about the bottom knee brace bolt **120**, the knee brace sections **112**, **114** will separate and allow the release post **102** to collapse, or lay over. For example, fasteners **158** holding the knee brace, or trigger, members **112**, **114** together will fail in tension. Each knee brace section **112**, **114** has a 45 degree notch or indent **604** where they interlock to facilitate this "slip joint" in the reverse direction.

In a head-on impact (e.g., when a vehicle **220** is traveling in the first direction, for example, as indicated by arrow **216** shown in FIG. **3B**, and vehicle's first point of impact is at the knee brace, or trigger **104**), the knee brace **104** is designed to be strong-in-tension, but weak in bending. If a lateral load (e.g., perpendicular to the first direction, as shown in FIG. **3C**) is placed on the knee brace **104** at any location, the interlocking sections **112**, **114** are designed to release after the tension strength of the #8 screws **158** is exceeded. Release of the knee brace **104** removes from the release post **102** its ability to resist moment, or any lateral force at any height. Next, the vehicle **220** impacts the release post **102**. Since the release post **102** can no longer resist moment, it simply lays over and the vehicle **220** passes over it. Once the knee brace **104** has released, the tension in the wire ropes **202**, **204**, **206** is released.

Although the present invention has been described with reference to preferred embodiments, those skilled in the art will recognize that changes may be made in form and detail without departing from the spirit and scope of the invention. As such, it is intended that the foregoing detailed description be regarded as illustrative rather than limiting and that it is the appended claims, including all equivalents thereof, which are intended to define the scope of the invention.

The invention claimed is:

1. A single anchor terminal comprising:

- a release post having opposite first and second faces;
- a cable having an end portion releasably coupled to the release post, the cable extending from the release post in a first direction;
- a pair of notched plates disposed on the opposite first and second faces of the release post, each notched plate having laterally opening notches disposed along opposite side edges of each notched plate, wherein the end portion of the cable is received in the notches;
- a brace supporting the release post in an upright position, the brace extending from the release post in a second direction opposite the first direction, the brace comprising a first portion attached to the release post and a second portion coupled to the first portion with a release component; and
- an anchor base comprising a main post supporting the release post and a brace anchor coupled to the main post, wherein the second portion of the brace is coupled to the brace anchor.

2. The single anchor terminal of claim **1** further comprising a pair of keeper plates disposed adjacent the notched plates, wherein the cable extends through openings in the keeper plates.

3. The single anchor terminal of claim 2 wherein the keeper plates are breakable in response to a load being applied by the cable.

4. The single anchor terminal of claim 1 further comprising a shear strap attached to the anchor base and engaging the release post, wherein the shear strap restrains movement of the release post relative to the anchor base in the first direction.

5. The single anchor terminal of claim 1, wherein the laterally opening notches comprise upwardly sloped edges and downwardly sloped edges.

6. The single anchor terminal of claim 1, wherein the release post is inclined in the second direction towards the brace relative to a vertical axis.

7. The single anchor terminal of claim 1 further comprising first, second and third cables each having end portions releasably coupled to the release post and extending from the release post in the first direction.

8. The single anchor terminal of claim 1 wherein the end portions of the first, second and third cables are coupled to the release post at first, second and third locations, and wherein the first portion of the brace is attached to the release post at a fourth location, wherein the first, second and third locations are positioned below the fourth location.

9. The single anchor terminal of claim 1 wherein the release post is releasably connected to the main post of the anchor base.

10. A single anchor terminal comprising:

- a release post;
- a cable having an end portion releasably coupled to the release post, the cable extending from the release post in a first direction;
- a brace supporting the release post in an upright position, the brace extending from the release post in a second direction opposite the first direction, the brace comprising a first portion attached to the release post and a second portion coupled to the first portion with a release component, wherein the release component comprises a catch and an indent formed in adjoining ends of the first and second portions of the brace, wherein the catch of the first portion interlocks with and directly engages the indent in the second portion and the catch of the second portion interlocks with and directly engages the indent in the first portion; and
- an anchor base comprising a main post supporting the release post and a brace anchor coupled to the main post, wherein the second portion of the brace is coupled to the brace anchor.

11. The single anchor terminal of claim 10, wherein: the release component further comprises a fastener coupling the adjoining ends of the first and second portions of the brace.

12. The single anchor terminal of claim 10, wherein: the catch of each of the first and second portions of the brace comprises an inclined edge and a perpendicular edge relative to longitudinal axes of the first and second portions;

the indent of each of the first and second portions comprises an inclined edge and a perpendicular edge relative to the longitudinal axes of the first and second portions;

when a tensile force applied along the longitudinal axes of the first and second portions, the perpendicular edge of the catch of the first portion is configured to abut the perpendicular edge of the indent of the second to provide resistance against the tensile force; and

when a compressive force is applied along the longitudinal axes of the first and second portions, the inclined edge of the catch of the first portion is adapted to slip against the inclined edge of the indent of the second portion to decouple the adjoining ends of the first and second portions of the brace.

13. A method for installing a single anchor terminal, the method comprising:

- attaching a brace anchor to a main post of the single anchor terminal, the brace anchor forming a truss extending from the main post;
- installing at least a portion of the brace anchor and the main post above grade;
- supporting a release post having opposite first and second faces on the main post;
- supporting the release post in an upright position by inserting a brace between the release post and the brace anchor, wherein inserting the brace comprises coupling a first portion of the brace to the release post and coupling a second portion of the brace to the above grade portion of the brace anchor;
- disposing a pair of keeper plates at the opposite first and second faces of the release post, each keeper plate having openings to receive an end portion of a cable;
- disposing a pair of notched plates adjacent the keeper plates to align laterally opening notches disposed along opposite sides edges of the notched plates with the openings of the keeper plates; and
- extending the end portion of the cable through the openings and adjoining the first and second portions of the brace being with a release component.

14. The method of claim 13 further comprising: applying tension along the cable in a first direction, the brace anchor extending from the main post in a second direction opposite the first direction; and thereby applying tension along longitudinal axes of the first and second portions of the brace.

15. A single anchor terminal comprising:

- a release post;
- a cable having an end portion releasably coupled to the release post, the cable extending from the release post in a first direction;
- a brace supporting the release post in an upright position, the brace extending from the release post in a second direction opposite the first direction, the brace comprising a first portion attached to the release post and a second portion coupled to the first portion with a release component; and
- an anchor base comprising a main post supporting the release post and a brace anchor coupled to the main post, wherein the second portion of the brace is coupled to the brace anchor; wherein the brace anchor comprises a first end connected to the main post below grade, and wherein the brace anchor extends upwardly from the first end and has a second end positioned above grade, wherein the second portion of the brace is coupled to the second end of the brace anchor, and further comprising a strut coupled to the main post and to the brace anchor between the first and second ends of the brace anchor.

16. The single anchor terminal of claim 15 wherein the brace anchor forms a 45 degree angle with the main post.

17. The single anchor terminal of claim 15 wherein the strut is positioned below grade.