

(12) **United States Patent**
Claridge et al.

(10) **Patent No.:** **US 8,685,145 B2**
(45) **Date of Patent:** ***Apr. 1, 2014**

(54) **SYSTEM AND METHOD FOR EFFICIENT MULTI-STAGE AIR DEHUMIDIFICATION AND LIQUID RECOVERY**

4,900,448 A	2/1990	Bonne et al.	
4,931,070 A *	6/1990	Prasad	95/52
4,944,776 A *	7/1990	Keyser et al.	95/10
5,034,025 A *	7/1991	Overmann, III	95/52
5,071,451 A	12/1991	Wijmans	
5,118,327 A *	6/1992	Nelson et al.	95/10

(75) Inventors: **David E. Claridge**, College Station, TX (US); **Charles H. Culp**, College Station, TX (US); **Jeffrey S. Haberl**, College Station, TX (US)

(Continued)

FOREIGN PATENT DOCUMENTS

(73) Assignee: **The Texas A&M University System**, College Station, TX (US)

JP	60238120 A	11/1985
JP	63054920	3/1988

(Continued)

(*) Notice: Subject to any disclaimer, the term of this patent is extended or adjusted under 35 U.S.C. 154(b) by 256 days.

OTHER PUBLICATIONS

This patent is subject to a terminal disclaimer.

“valve” The American Heritage Dictionary of the English Language: Fourth Edition. Houghton Mifflin Company 2000, pp. 1-2.*

(Continued)

(21) Appl. No.: **12/945,723**

Primary Examiner — Jason M Greene

(22) Filed: **Nov. 12, 2010**

Assistant Examiner — Anthony Shumate

(74) *Attorney, Agent, or Firm* — Fletcher Yoder P.C.

(65) **Prior Publication Data**

US 2012/0118146 A1 May 17, 2012

(51) **Int. Cl.**
B01D 53/22 (2006.01)

(52) **U.S. Cl.**
USPC **95/52**; 95/43; 95/45; 96/4; 96/7; 96/10

(58) **Field of Classification Search**
USPC 95/43, 45, 52; 96/4, 7, 10
See application file for complete search history.

(57) **ABSTRACT**

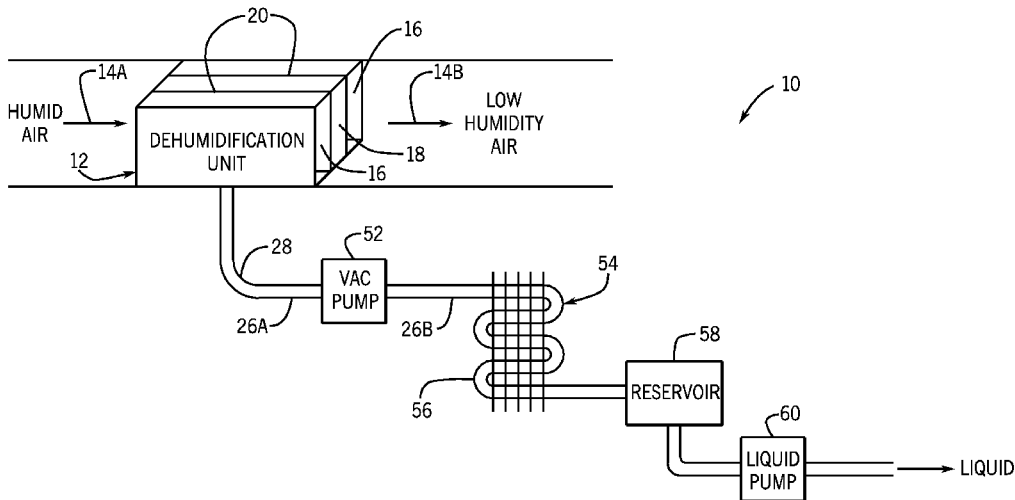
The present invention relates to systems and methods for dehumidifying air by establishing humidity gradients in a plurality of dehumidification units, which are arranged in series and/or in parallel. Water vapor from air entering each stage of the plurality of dehumidification units is extracted by the dehumidification units without substantial condensation into low pressure water vapor chambers. For example, in one embodiment, the water vapor is extracted through water vapor permeable membranes of the dehumidification units into the low pressure water vapor chambers. As such, the air exiting each of the dehumidification units is less humid than the air entering the dehumidification units. The low pressure water vapor extracted from the air is subsequently compressed to a slightly higher pressure (i.e., just high enough to facilitate condensation), condensed, and removed from the system at ambient conditions.

(56) **References Cited**

U.S. PATENT DOCUMENTS

2,517,499 A *	8/1950	McGrath	62/93
3,546,922 A *	12/1970	Dreckmann	73/29.03
3,604,246 A *	9/1971	Toren	73/38
3,735,559 A *	5/1973	Salemme	95/52

18 Claims, 9 Drawing Sheets



(56)

References Cited

U.S. PATENT DOCUMENTS

5,205,842	A	4/1993	Prasad	
5,236,474	A *	8/1993	Schofield et al.	95/47
5,259,869	A *	11/1993	Auvil et al.	95/52
5,383,956	A	1/1995	Prasad et al.	
5,525,143	A	6/1996	Morgan et al.	
5,641,337	A *	6/1997	Arrowsmith et al.	95/39
6,619,064	B1	9/2003	Piao et al.	
6,786,059	B1	9/2004	Piao et al.	
7,604,681	B2	10/2009	Malsam et al.	
7,767,256	B2	8/2010	Gu et al.	
8,221,530	B2 *	7/2012	Peter et al.	96/9
2008/0138569	A1	6/2008	Collier et al.	
2008/0237919	A1	10/2008	Liu et al.	
2008/0299377	A1	12/2008	Gu et al.	
2009/0000475	A1	1/2009	Fekety et al.	
2009/0110873	A1	4/2009	Jiang et al.	
2009/0110907	A1	4/2009	Jiang et al.	
2010/0072291	A1	3/2010	Matsubara	
2010/0297531	A1	11/2010	Liu et al.	
2010/0304953	A1	12/2010	Liu et al.	
2011/0045971	A1	2/2011	Collier et al.	
2011/0052466	A1	3/2011	Liu	
2011/0100900	A1	5/2011	Drury et al.	
2011/0274835	A1	11/2011	Liu et al.	
2012/0117987	A1 *	5/2012	Claridge et al.	62/94
2012/0118145	A1 *	5/2012	Claridge et al.	95/52
2012/0118148	A1 *	5/2012	Culp et al.	95/52
2012/0118155	A1 *	5/2012	Claridge et al.	96/9

FOREIGN PATENT DOCUMENTS

JP	05228328	A	9/1993
JP	2002136830	A	5/2002
JP	2004286262	A	10/2004
WO	2008106028		9/2008

OTHER PUBLICATIONS

Kinsara, A. et al.; "Proposed energy-efficient air-conditioning system using liquid desiccant", *Applied Thermal Engineering*, 16 (10), 791-806, 1996.

Harriman, L.G., et al.; *ASHRAE Journal*, Nov. 1997, 37-45.

Li, Z., et al.; "Long-term chemical and biological stability of surfactant-modified zeolite", *Environ. Sci. Technol.*, 32 (17), 2628-2632, 1998.

Scovazzo, P., et al.; "Hydrophilic membrane-based humidity control", *J. Mem. Sci.*, 149, 69-81, 1998.

El-Dessouky, H.T., et al.; "A novel air conditioning system—Membrane air drying and evaporative cooling", *Chemical Engineering Research & Design*, 78 (A7): 999-1009, 2000.

Kawahara, K., et al.; "Antibacterial effect of silver-zeolite on oral bacteria under anaerobic conditions", *Dental Materials*, 16 (16), 452-455, 2000.

Koros, W.J., et al.; "Pushing the limits on possibilities for large-scale gas separation: which strategies?", *J. Mem. Sci.* 175, 181-196, 2000.

Scovazzo, P., et al.; "Membrane porosity and hydrophilic membrane-based dehumidification performance", *J. Mem. Sci.*, 167, 217-225, 2000.

Morigami, Y., et al.; "The first large-scale pervaporation plant using tubular-type module with zeolite NaA membrane", *Sep. and Purification Tech* 25, 251-260, 2001.

Liu, W., et al.; "Monolith reactor for the dehydrogenation of ethylbenzene to styrene", *Ind. Eng. Chem. Res.*, 41, 3131-38, 2002.

Ye, X., et al.; "Water transport properties of Nafion membranes—Part I. Single-tube membrane module for air drying", *Journal of Membrane Science*, 221 (1-2): 147-161, 2003.

Ye, X., et al.; "Water transport properties of Nafion membranes—Part II. Multi-tube membrane module for air drying", *Journal of Membrane Science*, 221 (1-2): 163-173, 2003.

Bhattacharya, M., et al.; "Mass-Transfer Coefficients in Washcoated Monoliths", *AIChE J.* 50, 2939-2955, 2004.

Kanoglu, M., et al.; "Energy and exergy analyses of an experimental open-cycle desiccant cooling system", *Applied Thermal Engineering*, 24, 919-923, 2004.

Feng, N., et al.; "Applications of natural zeolite to construction and building materials in China", *Construction and Building Materials*, 19(80), 579-584, 2005.

Mina, E.M., et al.; "A generalized coefficient of performance for conditioning moist air", *International Journal of Refrigeration*, 28, 784-790, 2005.

O'Neill, C., et al.; "Durability of hydrophilic and antimicrobial zeolite coatings under water immersion", *AIChE Journal*, vol. 52, No. 3, 1157-1161, 2006.

Yin, Y., et al.; "Experimental study on dehumidifier and regenerator of liquid desiccant cooling air conditioning system", *Building and Environment* 42 (7), 2505-2511, 2007.

Li, J., et al.; "Dehumidification and humidification of air by surface-soaked liquid membrane module with triethylene glycol", *Journal of Membrane Science*, 325 (2):1007-1012, 2008.

Liu, W.; "High surface area inorganic membrane for process water removal", Quarterly Progress Report to DOE Industrial Technology Program Office, Award Number: DE-FC36-04G098014, from Oct. 1, 2008 to present.

Zhang, L.Z., et al.; "Synthesis and characterization of a PVA/LiCl blend membrane for air dehumidification", *Journal of Membrane Science*, 308 (1-2), 198-206, 2008.

Bernardo, P., et al.; "Membrane gas separation: a review/state of the art", *Ind. Eng. Chem. Res.*, 48, 4638-4663, 2009.

Liang, C.H., et al.; "Independent air dehumidification with membrane-based total heat recovery: Modeling and experimental validation", *International Journal of Refrigeration-Revue Internationale Du Froid*, 33 (2): 398-408, 2010.

Xiong, Z.Q., et al.; "Development of a novel two-stage liquid desiccant dehumidification system assisted by CaCl₂ solution using exergy analysis method", *Applied Energy*, 87 (5):1495-1504, 2010.

Zhang, J., et al.; "Air dehydration membranes for nonaqueous lithium-air batteries", *J. Electrochem. Soc.*, May 2010, in print.

Zhang, J., et al.; "Oxygen-selective immobilized liquid membranes for operation of lithium-air batteries in ambient air", *Journal of Power Sources*, May 2010, in print, 7438-7444.

Tegrotenhuis, Ward, et al.; "Passive microchannel humidifier for PEM fuel cell water management," 234th ACS National Meeting, Aug. 19-23, 2007, Boston, MA (1 page).

Turner, D., P.E., Ph.D.; "Case Studies of High Humidity Problems in Hot and Humid Climates in the United States," Proceedings: Indoor Air 2005, Energy Systems Laboratory, Texas A&M University System, College Station, Texas.

PCT International Search Report; PCT/US2011/060491; Jun. 21, 2012, pp. 1-7.

* cited by examiner

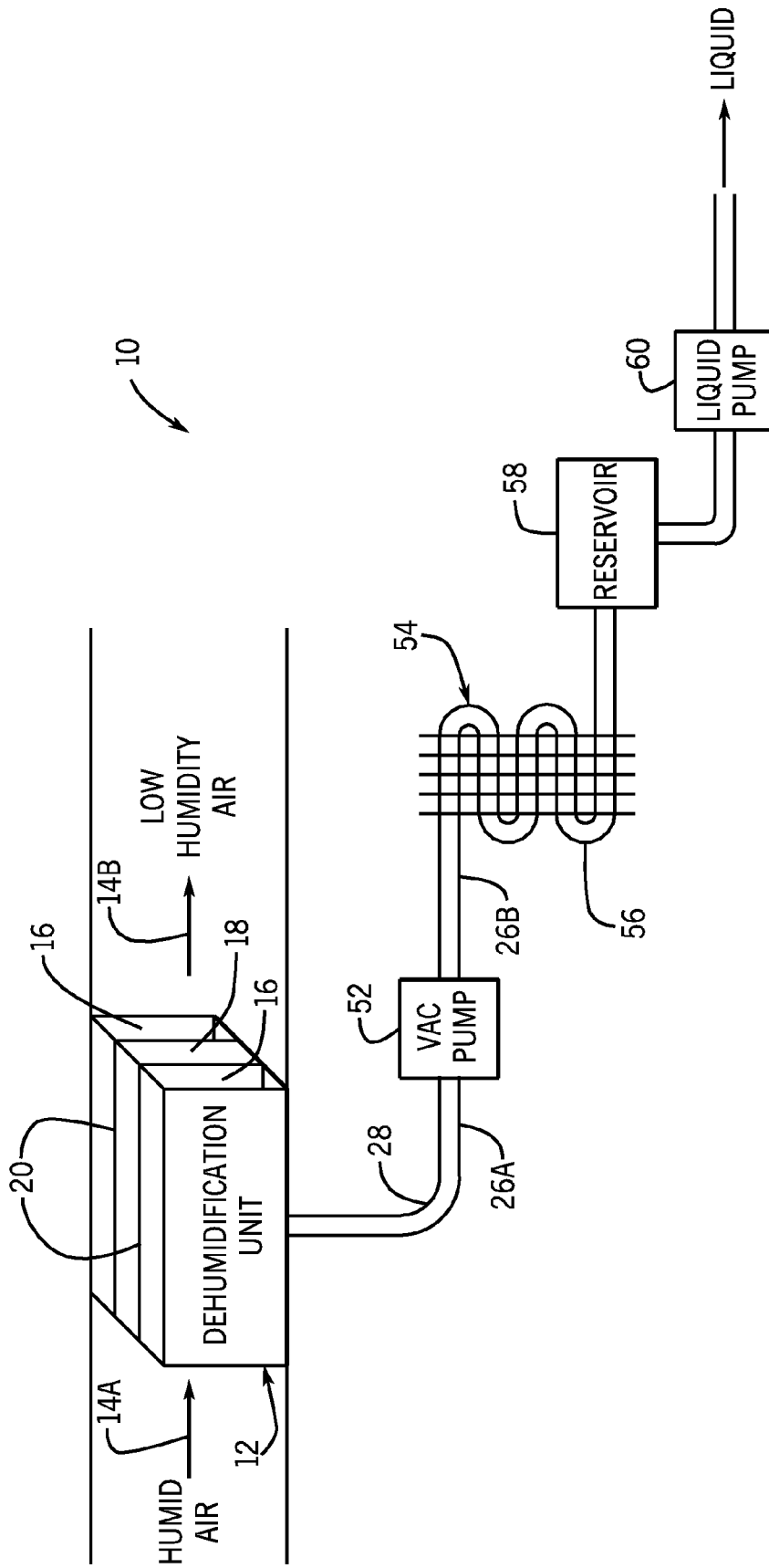


FIG. 1

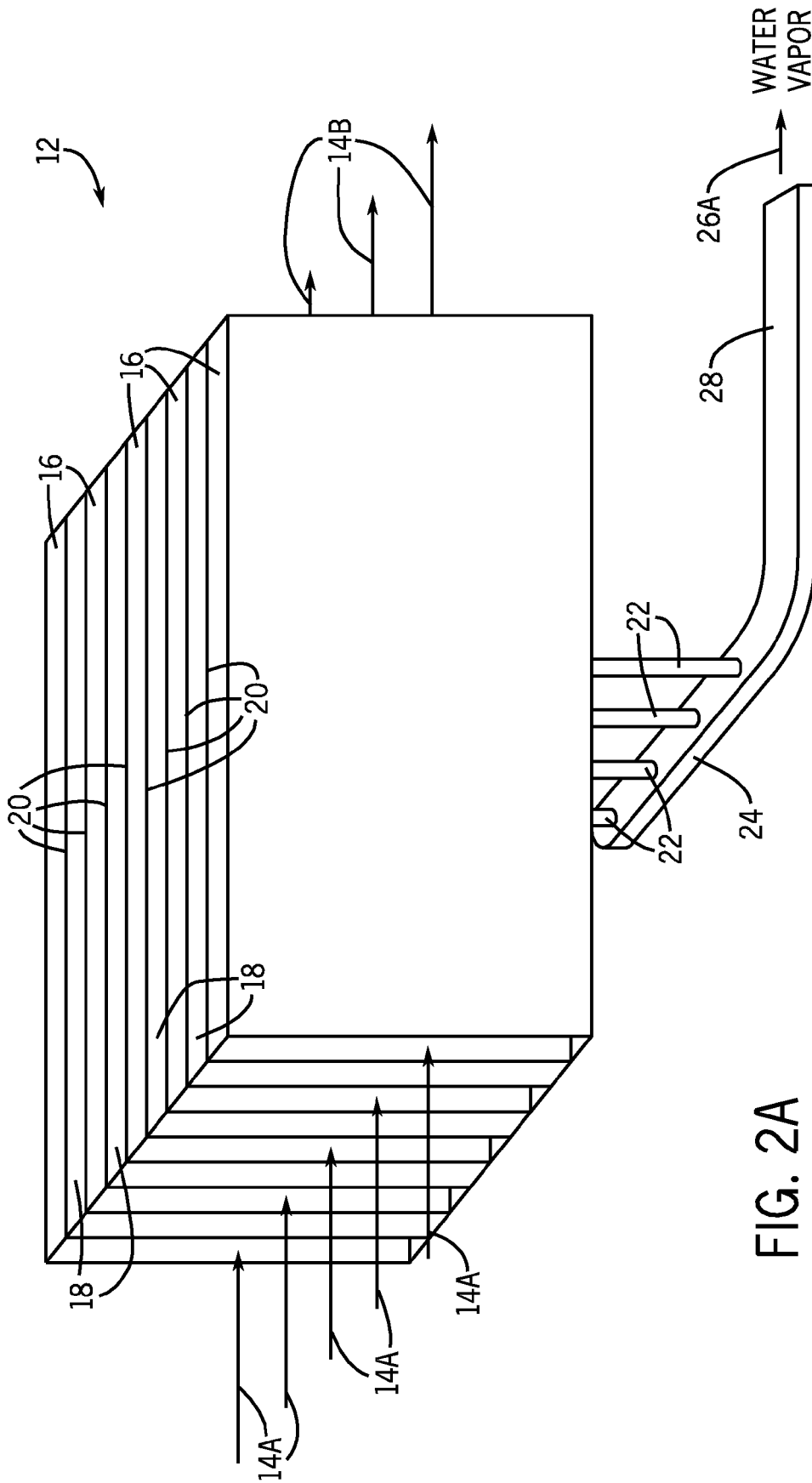


FIG. 2A

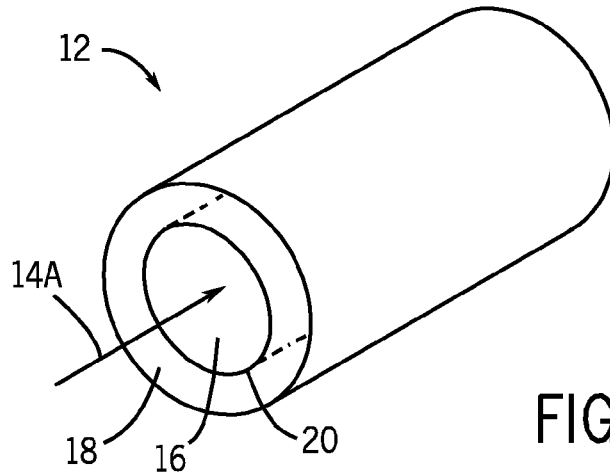


FIG. 2B

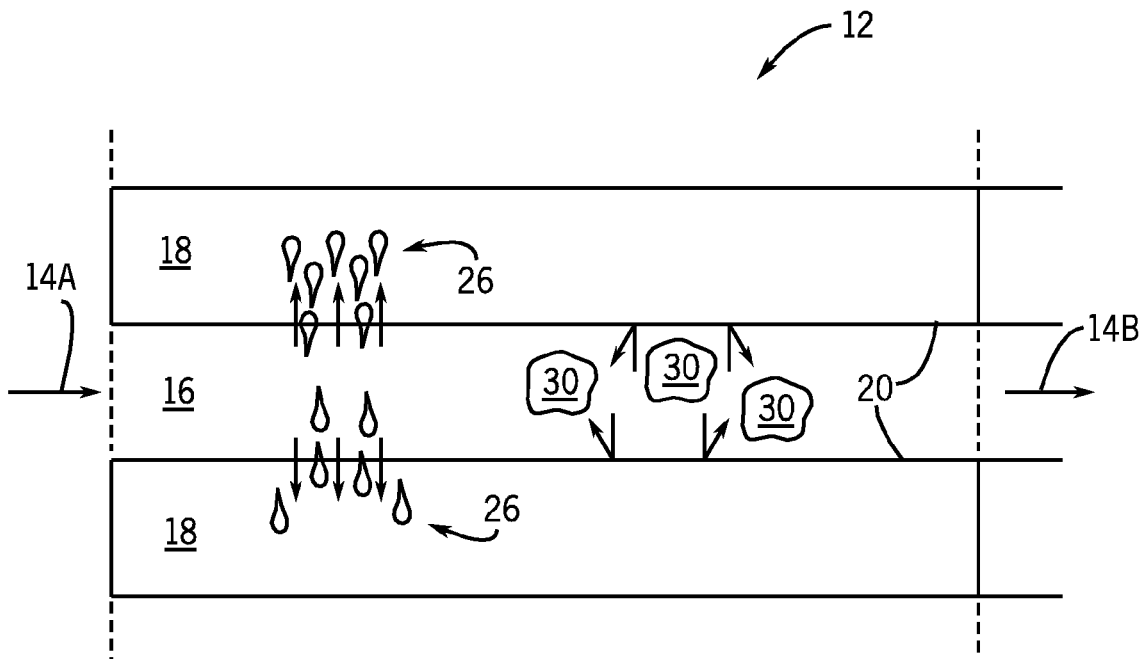
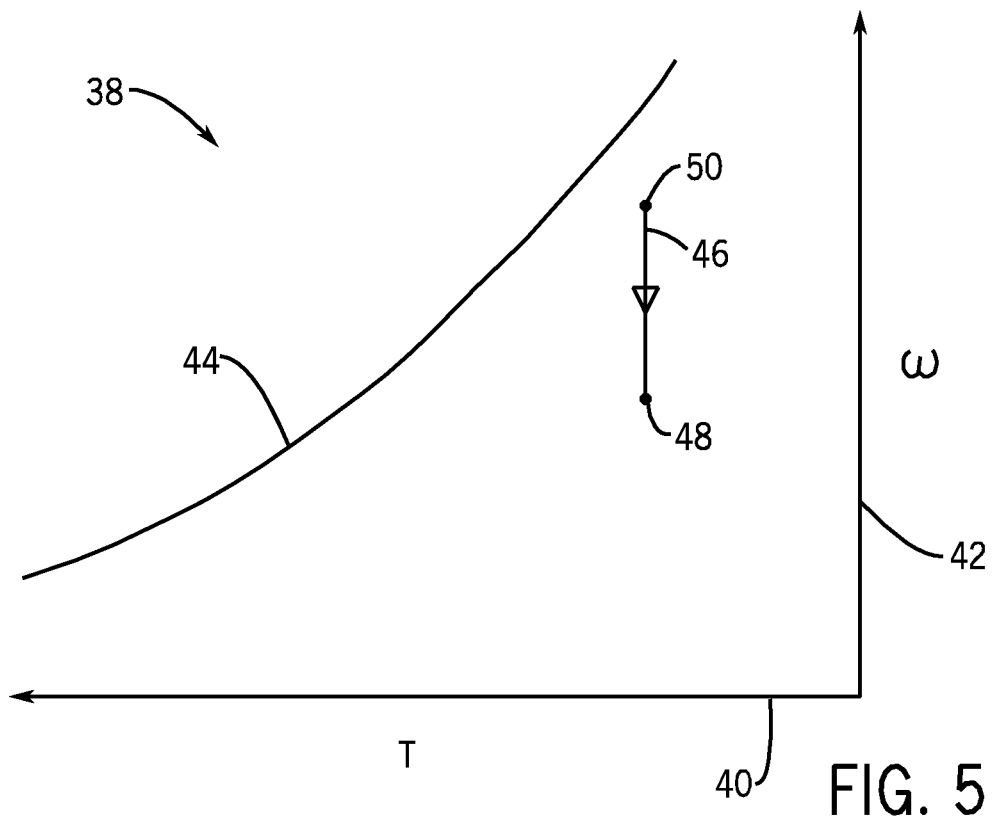
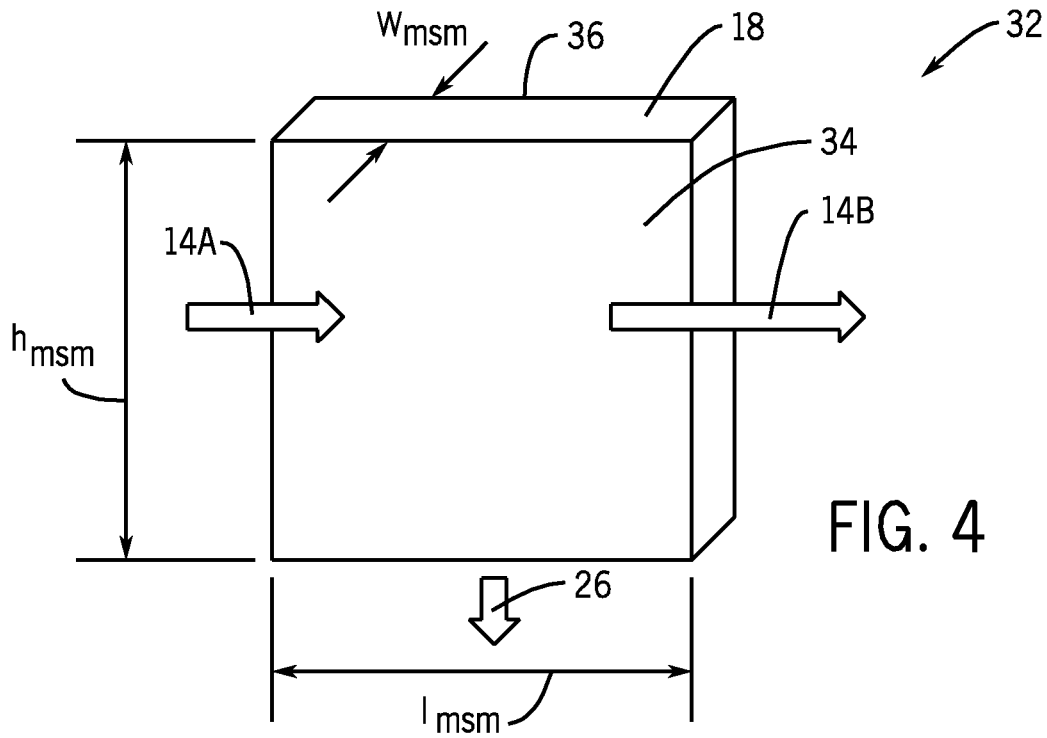


FIG. 3



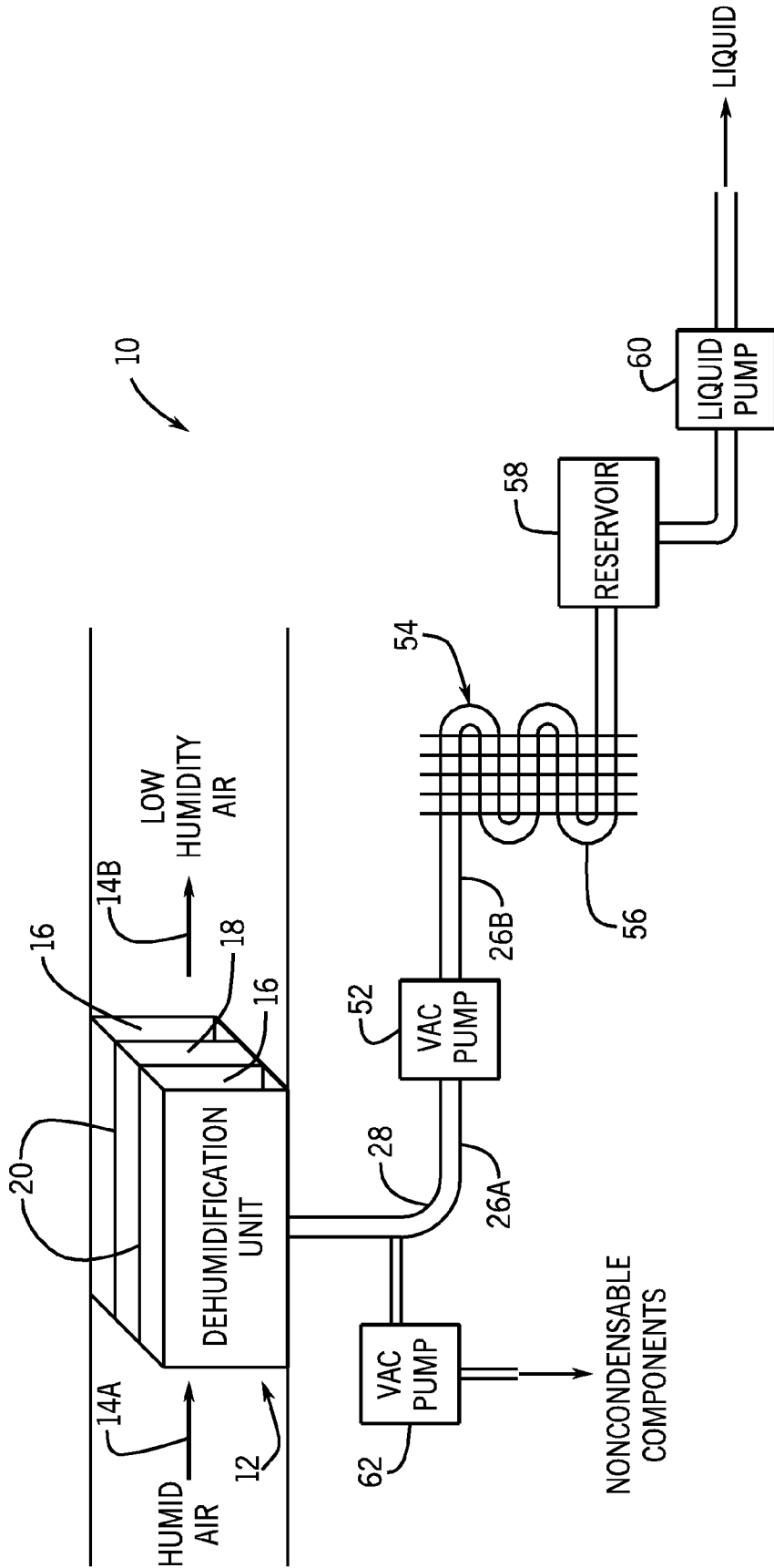


FIG. 6

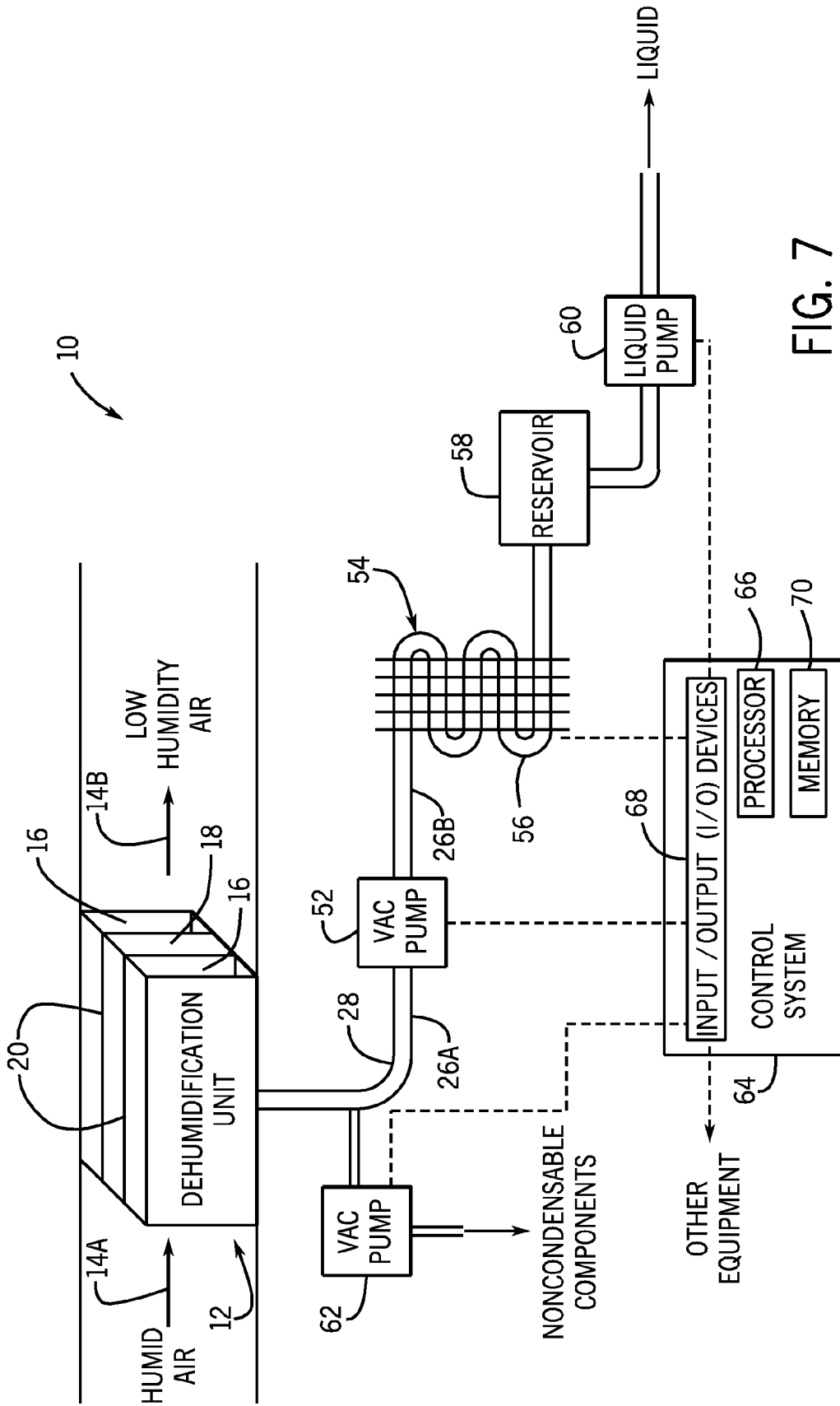


FIG. 7

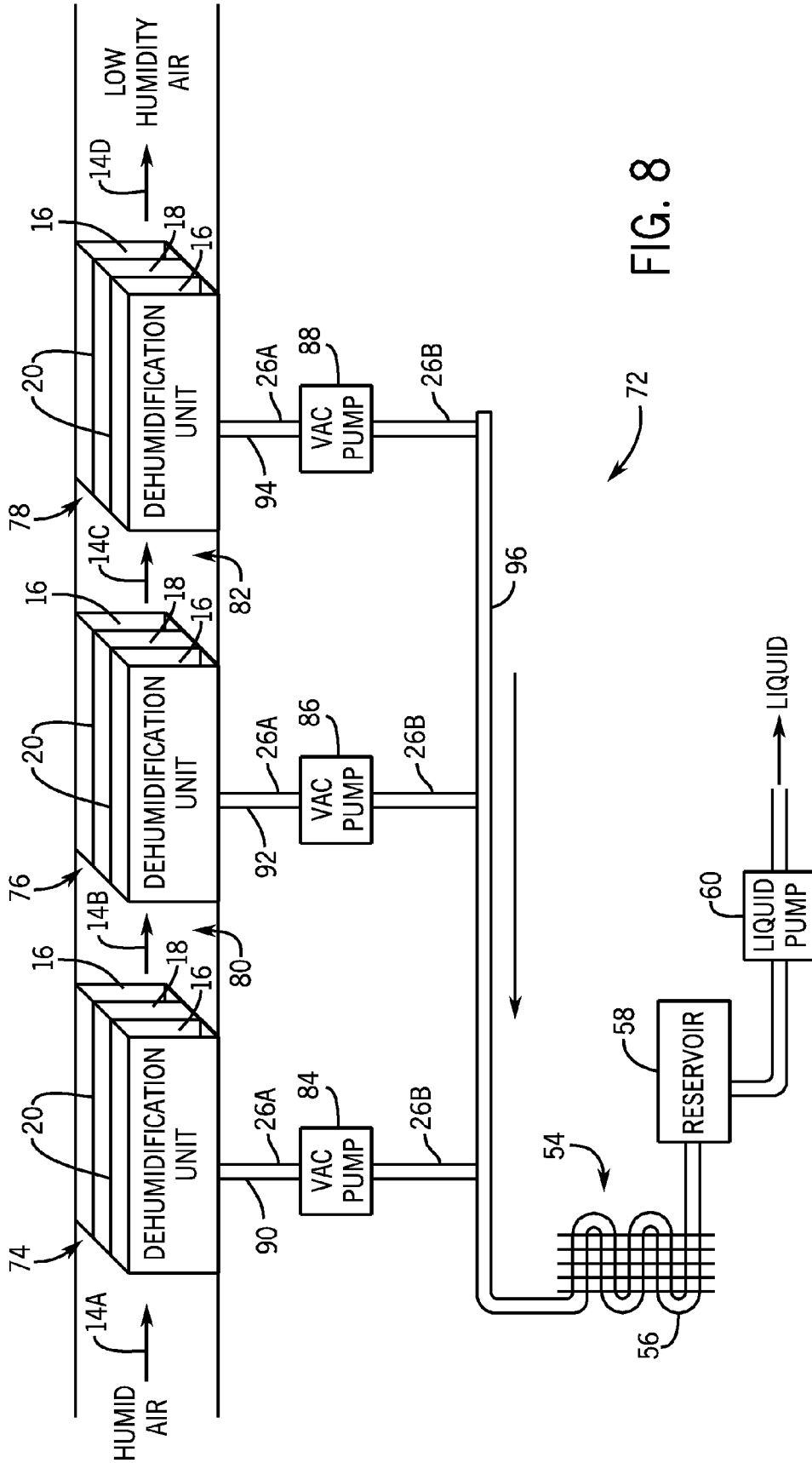
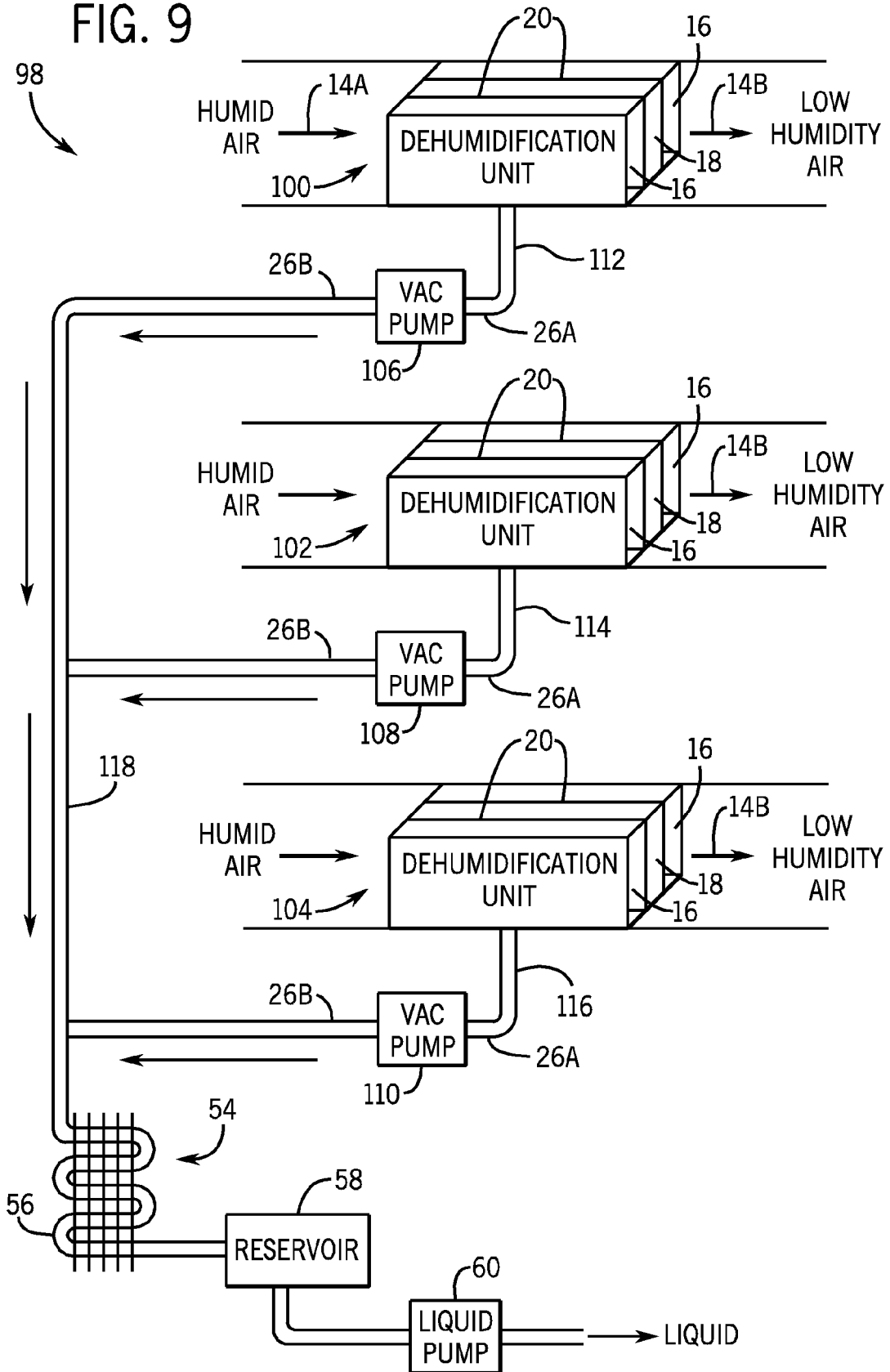


FIG. 8

FIG. 9



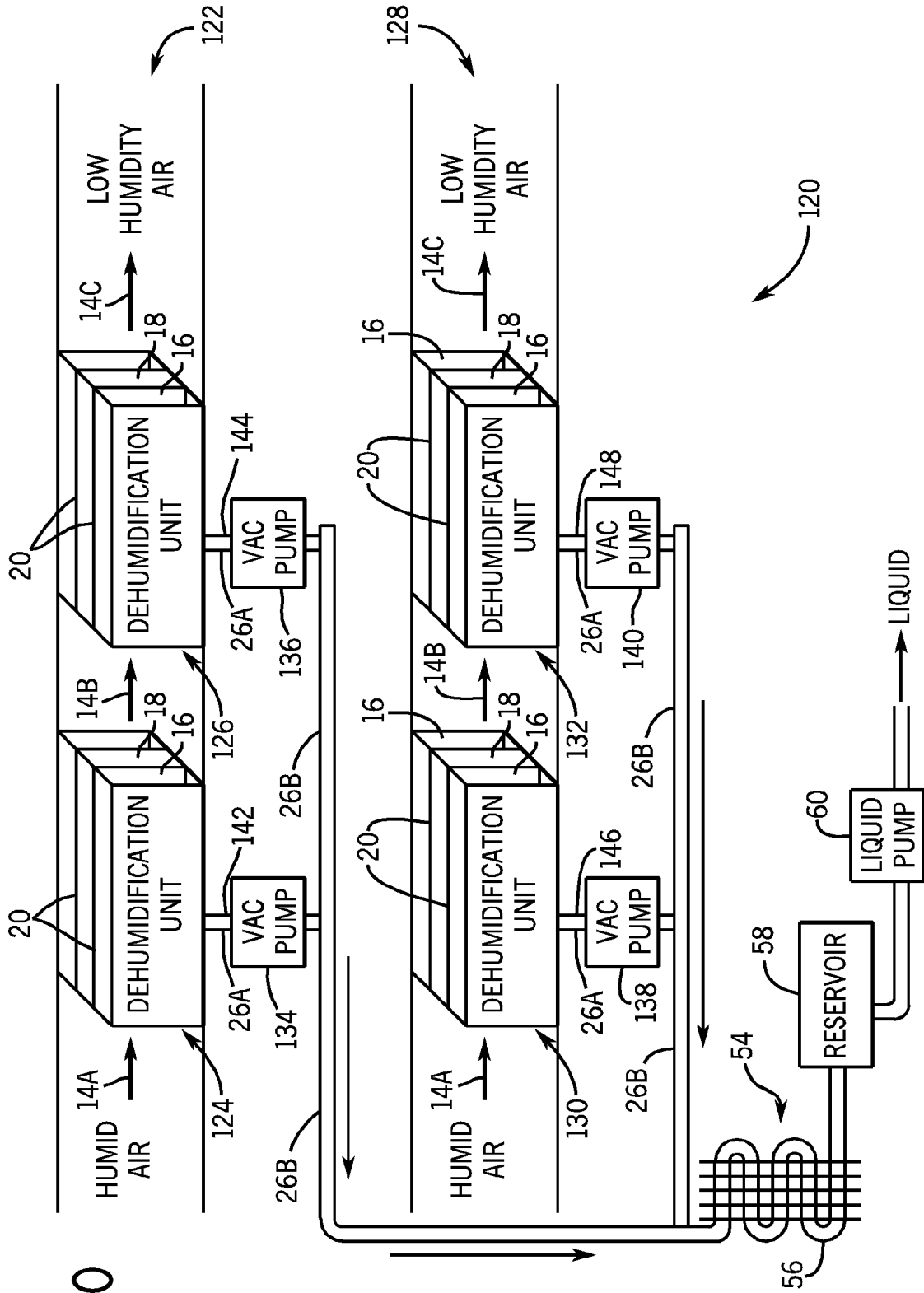


FIG. 10

1

SYSTEM AND METHOD FOR EFFICIENT MULTI-STAGE AIR DEHUMIDIFICATION AND LIQUID RECOVERY

BACKGROUND

Heating, ventilating, and air conditioning (HVAC) systems often have dehumidification systems integrated into the cooling apparatus for dehumidifying the air being conditioned by such systems. When cooling is required in warm to hot environments, the air being cooled and dehumidified will usually have a humidity ratio above approximately 0.009 (pounds of H₂O per pounds of dry air). In these environments, the HVAC systems traditionally use refrigerant compressors for sensible cooling of the air and removal of latent energy (i.e., humidity). The air is typically cooled to about 55° F., which condenses H₂O out of the air until the air is about 100% saturated (i.e., relative humidity at about 100%). The 55° F. temperature lowers the humidity ratio to about 0.009 pounds of H₂O per pounds of dry air, which is the water vapor saturation point at 55° F., resulting in a relative humidity of almost 100%. When this air warms to about 75° F., the humidity ratio remains approximately the same, and the relative humidity drops to approximately 50%. This traditional method of dehumidification requires the air to be cooled to about 55° F., and can usually achieve a coefficient of performance (COP) of approximately 3-5.

BRIEF DESCRIPTION

Certain embodiments commensurate in scope with the present disclosure are summarized in the following. These embodiments are not intended to limit the scope of the claimed invention, but rather these embodiments are intended only to provide a brief summary of possible forms of the invention. Indeed, the invention may encompass a variety of forms that may be similar to or different from the embodiments set forth in the following.

In a first embodiment, a dehumidification system for removing water vapor from an airstream is provided. The dehumidification system includes a plurality of dehumidification units. Each dehumidification unit includes a first and second channel separated by a membrane. The membrane is configured to facilitate removal of water vapor from an airstream flowing through the first channel by facilitating passage of H₂O from the water vapor to the second channel through permeable volumes of the membrane while substantially blocking all other components of the airstream from passing through the membrane. The dehumidification system also includes at least one pressure increasing device configured to create a lower partial pressure of water vapor within the second channels than in the first channels, such that the H₂O moves through the membranes to the second channels. The at least one pressure increasing device is also configured to increase the pressure of water vapor at an outlet of the at least one pressure increasing device to a partial pressure of water vapor in a range suitable for subsequent condensing into liquid water. The dehumidification system further includes at least one condensation device configured to receive the water vapor from the at least one pressure increasing device and condense the water vapor into liquid water. The dehumidification system also includes at least one water transport device configured to transport the liquid water from the at least one condensation device.

In a second embodiment, a system includes a dehumidification system for removing H₂O vapor from an airstream. The dehumidification system includes a plurality of dehu-

2

midification units, each comprising an air channel configured to receive an inlet airstream and discharge an outlet airstream, and an H₂O permeable barrier adjacent to the air channel. The H₂O permeable barrier is configured to selectively enable H₂O from H₂O vapor in the inlet airstream to pass through the H₂O permeable barrier to a suction side of the H₂O permeable barrier and substantially block other components in the inlet airstream from passing through the H₂O permeable barrier to the suction side of the H₂O permeable barrier. The dehumidification system also includes at least one pressure increasing device configured to create a lower partial pressure of H₂O vapor on the suction sides of the H₂O permeable barriers than the partial pressure of the H₂O vapor in the inlet airstreams to drive passage of the H₂O from the H₂O vapor in the inlet airstream through the H₂O permeable barrier, and to increase the pressure at an outlet of the at least one pressure increasing device to a partial pressure of H₂O vapor suitable for condensing H₂O vapor into liquid H₂O. The dehumidification system further includes at least one condensation device configured to receive the H₂O vapor from the outlet of the at least one pressure increasing device, and to condense the H₂O vapor into liquid H₂O.

In a third embodiment, a method includes receiving a plurality of airstreams including H₂O vapor into air channels of a plurality of dehumidification units. The airstreams have a first partial pressure of H₂O vapor. The method also includes suctioning H₂O into H₂O vapor channels of the plurality of dehumidification units through H₂O permeable materials of the plurality of dehumidification units using pressure differentials across the H₂O permeable materials. The H₂O vapor channels have a second partial pressure of H₂O vapor lower than the first partial pressure of H₂O vapor of the airstreams. The method further includes receiving H₂O vapor from the H₂O vapor channels into a pressure increasing device and increasing the pressure of the H₂O vapor from the pressure increasing device to a third partial pressure of H₂O vapor that is higher than the second partial pressure of H₂O vapor. The method also includes receiving the H₂O vapor from the pressure increasing device into a condensation device and condensing the H₂O vapor into liquid H₂O. The method further includes transporting the liquid H₂O from the condensation device to ambient conditions.

BRIEF DESCRIPTION OF THE DRAWINGS

These and other features, aspects, and advantages of embodiments of the present disclosure will become better understood when the following detailed description is read with reference to the accompanying drawings in which like characters represent like parts throughout the drawings, wherein:

FIG. 1 is a schematic diagram of an HVAC system having a dehumidification unit in accordance with an embodiment of the present disclosure;

FIG. 2A is a perspective view of the dehumidification unit of FIG. 1 having multiple parallel air channels and water vapor channels in accordance with an embodiment of the present disclosure;

FIG. 2B is a perspective view of the dehumidification unit of FIG. 1 having a single air channel located inside a single water vapor channel in accordance with an embodiment of the present disclosure;

FIG. 3 is a plan view of an air channel and adjacent water vapor channels of the dehumidification unit of FIGS. 1, 2A, and 2B in accordance with an embodiment of the present disclosure;

3

FIG. 4 is a perspective view of a separation module formed using a membrane that may be used as a water vapor channel of the dehumidification unit of FIGS. 1-3 in accordance with an embodiment of the present disclosure;

FIG. 5 is a psychrometric chart of the temperature and the humidity ratio of the moist air flowing through the dehumidification unit of FIGS. 1-3 in accordance with an embodiment of the present disclosure;

FIG. 6 is a schematic diagram of the HVAC system and the dehumidification unit of FIG. 1 having a vacuum pump for removing noncondensable components from the water vapor in the water vapor extraction chamber of the dehumidification unit in accordance with an embodiment of the present disclosure;

FIG. 7 is a schematic diagram of the HVAC system and the dehumidification unit of FIG. 6 having a control system for controlling various operating conditions of the HVAC system and the dehumidification unit in accordance with an embodiment of the present disclosure;

FIG. 8 is a schematic diagram of an HVAC system having a plurality of dehumidification units arranged in series in accordance with an embodiment of the present disclosure;

FIG. 9 is a schematic diagram of an HVAC system having a plurality of dehumidification units arranged in parallel in accordance with an embodiment of the present disclosure; and

FIG. 10 is a schematic diagram of an HVAC system having a first plurality of dehumidification units arranged in series, and a second plurality of dehumidification units also arranged in series, with the first and second plurality of dehumidification units arranged in parallel in accordance with an embodiment of the present disclosure.

DETAILED DESCRIPTION OF SPECIFIC EMBODIMENTS

Specific embodiments of the present disclosure will be described herein. In an effort to provide a concise description of these embodiments, all features of an actual implementation may not be described in the specification. It should be appreciated that in the development of any such actual implementation, as in any engineering or design project, numerous implementation-specific decisions must be made to achieve the developers' specific goals, such as compliance with system-related and business-related constraints, which may vary from one implementation to another. Moreover, it should be appreciated that such a development effort might be complex and time-consuming, but would nevertheless be a routine undertaking of design, fabrication, and manufacture for those of ordinary skill having the benefit of this disclosure.

When introducing elements of various embodiments of the present invention, the articles "a," "an," "the," and "said" are intended to mean that there are one or more of the elements. The terms "comprising," "including," and "having" are intended to be inclusive and mean that there may be additional elements other than the listed elements.

The subject matter disclosed herein relates to dehumidification systems and, more specifically, to systems and methods capable of dehumidifying air without initial condensation by establishing a humidity gradient in a dehumidification unit. In one embodiment, a water vapor permeable material (i.e., a water vapor permeable membrane) is used along at least one boundary separating an air channel from a secondary channel or chamber to facilitate the removal of water vapor from the air passing through the air channel. The secondary channel or chamber separated from the air channel by

4

the water vapor permeable material may receive water vapor extracted from the air channel via the water vapor permeable material.

In certain embodiments, multiple dehumidification units (i.e., multiple stages) may be used in combination with each other. For example, in certain embodiments, the dehumidification units may be arranged in series with each other, such that the air flows through each of the dehumidification units, with more and more water vapor removed from the air in each successive dehumidification unit. In other embodiments, the dehumidification units may be arranged in parallel with each other such that the air is split between the dehumidification units. In addition, in even more complex systems, multiple sets of one or more dehumidification units arranged in series may be further arranged in parallel. For example, a first set of dehumidification units arranged in series with each other may be arranged in parallel with a second set of dehumidification units arranged in series with each other.

In operation, the water vapor permeable material allows the flow of H₂O (which may refer to H₂O as water molecules, gaseous water vapor, liquid water, adsorbed/desorbed water molecules, absorbed/desorbed water molecules, or combinations thereof) through the water vapor permeable material from the air channel to the secondary channel or chamber, while substantially blocking the flow of other components of the air flowing through the air channel from passing through the water vapor permeable material. As such, the water vapor permeable material reduces the humidity of the air flowing through the air channel by removing primarily only water vapor from the air. Correspondingly, the secondary channel or chamber is filled with primarily water vapor. It should be noted that the passage of H₂O through the water vapor permeable material may be facilitated by a pressure differential. Indeed, a lower partial pressure of water vapor (i.e., a partial pressure less than the partial pressure of water vapor in the air channel) may be created in the secondary channel or chamber to further facilitate passage of the H₂O through the water vapor permeable material. Accordingly, the side of the water vapor permeable material opposite the air channel may be referred to as the suction side of the water vapor permeable material.

Once the H₂O has been passed through the water vapor permeable material, a vacuum pump is used to increase the partial pressure of the water vapor on the suction side of the water vapor permeable material to a minimal saturation pressure required to enable condensation of the water vapor by a condenser. That is, the vacuum pump compresses the water vapor to a pressure in a range suitable for condensing the water vapor into liquid water (e.g., a range of approximately 0.25-1.1 pounds per square inch absolute (psia), with the higher value applying to embodiments using multiple dehumidification units in series), depending on desired conditions for condensation. The condenser then condenses the water vapor into a liquid state, and the resulting liquid water is then pressurized to approximately atmospheric pressure, such that the liquid water may be rejected at ambient atmospheric conditions. By condensing the water vapor to a liquid state prior to expelling it, certain efficiencies are provided. For example, pressurizing liquid water to atmospheric pressure requires less energy than pressurizing water vapor to atmospheric pressure. It should also be noted that the dehumidification unit described herein in general uses significantly less energy than conventional systems.

While the embodiments described herein are primarily presented as enabling the removal of water vapor from air, other embodiments may enable the removal of other H₂O components from air. For example, in certain embodiments,

5

instead of a water vapor permeable material, an H₂O permeable material may be used. As such, the H₂O permeable material may allow the flow of one, all, or any combination of H₂O components (i.e., water molecules, gaseous water vapor, liquid water, adsorbed/desorbed water molecules, absorbed/desorbed water molecules, and so forth) through the H₂O permeable material from the air channel to the secondary channel or chamber, while substantially blocking the flow of other components of the air flowing through the air channel from passing through the H₂O permeable material. In other words, the disclosed embodiments are not limited to the removal of water vapor from air, but rather to the removal of H₂O (i.e., in any of its states) from air. However, for conciseness, the embodiments described herein are primarily focused on the removal of water vapor from air.

FIG. 1 is a schematic diagram of an HVAC system 10 having a dehumidification unit 12 in accordance with an embodiment of the present disclosure. As illustrated, the dehumidification unit 12 may receive inlet air 14A having a relatively high humidity and expel outlet air 14B having a relatively low humidity. In particular, the dehumidification unit 12 may include one or more air channels 16 through which the air 14 (i.e., the inlet air 14A and the outlet air 14B) flows. In addition, the dehumidification unit 12 may include one or more water vapor channels 18 adjacent to the one or more air channels 16. As illustrated in FIG. 1, the air 14 does not flow through the water vapor channels 18. Rather, the embodiments described herein enable the passage of water vapor from the air 14 in the air channels 16 to the water vapor channels 18, thus dehumidifying the air 14 and accumulating water vapor in the water vapor channels 18. In particular, water vapor from the air 14 in the air channels 16 may be allowed to flow through an interface 20 (i.e., a bather or membrane) between adjacent air channels 16 and water vapor channels 18, while the other components (e.g., nitrogen, oxygen, carbon dioxide, and so forth) of the air 14 are blocked from flowing through the interface 20. In general, the water vapor channels 18 are sealed to create the low pressure that pulls the water vapor from the air 14 in the air channels 16 through the interfaces 20 as H₂O (i.e., as water molecules, gaseous water vapor, liquid water, adsorbed/desorbed water molecules, absorbed/desorbed water molecules, and so forth, through the interfaces 20).

As such, a humidity gradient is established between the air channels 16 and adjacent water vapor channels 18. The humidity gradient is generated by a pressure gradient between the air channels 16 and adjacent water vapor channels 18. In particular, the partial pressure of water vapor in the water vapor channels 18 is maintained at a level lower than the partial pressure of water vapor in the air channels 16, such that the water vapor in the air 14 flowing through the air channels 16 tends toward the suction side (i.e., the water vapor channels 18 having a lower partial pressure of water vapor) of the interfaces 20.

Components of air other than H₂O may be substantially blocked from passing through the interfaces 20 in accordance with present embodiments. In other words, in certain embodiments, approximately 95% or more, approximately 96% or more, approximately 97% or more, approximately 98% or more, or approximately 99% or more of components of the air 14 other than H₂O (e.g., nitrogen, oxygen, carbon dioxide, and so forth) may be blocked from passing through the interfaces 20. When compared to an ideal interface 20 that blocks 100% of components other than H₂O, an interface 20 that blocks 99.5% of components other than H₂O will experience a reduction in efficiency of approximately 2-4%. As such, the

6

components other than H₂O may be periodically purged to minimize these adverse effects on efficiency.

FIG. 2A is a perspective view of the dehumidification unit 12 of FIG. 1 having multiple parallel air channels 16 and water vapor channels 18 in accordance with an embodiment of the present disclosure. In the embodiment illustrated in FIG. 2A, the air channels 16 and the water vapor channels 18 are generally rectilinear channels, which provide a substantial amount of surface area of the interfaces 20 between adjacent air channels 16 and water vapor channels 18. Further, the generally rectilinear channels 16, 18 enable the water vapor 26A to be removed along the path of the air channels 16 before the air 14 exits the air channels 16. In other words, the relatively humid inlet air 14A (e.g., air with a dew point of 55° F. or higher such that the air is appropriate for air conditioning) passes straight through the air channels 16 and exits as relatively dry outlet air 14B because moisture has been removed as the air 14 traverses along the atmospheric pressure side of the interfaces 20 (i.e., the side of the interfaces 20 in the air channels 16). In an embodiment where a single unit is dehumidifying to a 60° F. saturation pressure or below, the suction side of the interfaces 20 (i.e., the side of the interfaces 20 in the water vapor channels 18) will generally be maintained at a partial pressure of water vapor that is lower than the partial pressure of water vapor on the atmospheric pressure side of the interfaces 20.

As illustrated in FIG. 2A, each of the water vapor channels 18 is connected with a water vapor channel outlet 22 through which the water vapor in the water vapor channels 18 is removed. As illustrated in FIG. 2A, in certain embodiments, the water vapor channel outlets 22 may be connected via a water vapor outlet manifold 24, wherein the water vapor 26A from all of the water vapor channels 18 is combined in a single water vapor vacuum volume 28, such as a tube or a chamber. Other configurations of the air channels 16 and the water vapor channels 18 may also be implemented. As another example, FIG. 2B is a perspective view of the dehumidification unit 12 of FIG. 1 having a single air channel 16 located inside a single water vapor channel 18 in accordance with an embodiment of the present disclosure. As illustrated, the air channel 16 may be a cylindrical air channel located within a larger concentric cylindrical water vapor channel 18. The embodiments illustrated in FIGS. 2A and 2B are merely exemplary and are not intended to be limiting.

FIG. 3 is a plan view of an air channel 16 and adjacent water vapor channels 18 of the dehumidification unit 12 of FIGS. 1, 2A, and 2B in accordance with an embodiment of the present disclosure. In FIG. 3, a depiction of the water vapor 26 is exaggerated for illustration purposes. In particular, the water vapor 26 from the air 14 is shown flowing through the interfaces 20 between the air channel 16 and the adjacent water vapor channels 18 as H₂O (i.e., as water molecules, gaseous water vapor, liquid water, adsorbed/desorbed water molecules, absorbed/desorbed water molecules, and so forth, through the interfaces 20). Conversely, other components 30 (e.g., nitrogen, oxygen, carbon dioxide, and so forth) of the air 14 are illustrated as being blocked from flowing through the interfaces 20 between the air channel 16 and the adjacent water vapor channels 18.

In certain embodiments, the interfaces 20 may include membranes that are water vapor permeable and allow the flow of H₂O through permeable volumes of the membranes while blocking the flow of the other components 30. Again, it should be noted that when the H₂O passes through the interfaces 20, it may actually pass as one, all, or any combination of states of water (e.g., as water vapor, liquid water, adsorbed/desorbed water molecules, absorbed/desorbed water mol-

ecules, and so forth) through the interfaces **20**. For example, in one embodiment, the interfaces **20** may adsorb/desorb water molecules. In another example, the interfaces **20** may adsorb/desorb water molecules and enable passage of water vapor. In other embodiments, the interfaces **20** may facilitate the passage of water in other combinations of states. The interfaces **20** extend along the flow path of the air **14**. As such, the water vapor **26** is continuously removed from one side of the interface **20** as the relatively humid inlet air **14A** flows through the air channel **16**. Therefore, dehumidification of the air **14** flowing through the air channel **16** is accomplished by separating the water vapor **26** from the other components **30** of the air **14** incrementally as it progresses along the flow path of the air channel **16** and continuously contacts the interfaces **20** adjacent to the air channel **16** from the inlet air **14A** location to the outlet air **14B** location.

In certain embodiments, the water vapor channels **18** are evacuated before use of the dehumidification unit **12**, such that a lower partial pressure of the water vapor **26** (i.e., a partial pressure less than the partial pressure of water vapor in the air channels **16**) is created in the water vapor channels **18**. For example, the partial pressure of the water vapor **26** in the water vapor channels **18** may be in the range of approximately 0.10-0.25 psia during normal operation, which corresponds to dehumidifying to a 60° F. saturation pressure or below. In this example, an initial condition in the 0.01 psia range may be used to remove noncondensables, whereas the partial pressure of water vapor in the air channels **16** may be in the range of approximately 0.2-1.0 psia. However, at certain times, the pressure differential between the partial pressure of the water vapor in the water vapor channels **18** and the air channels **16** may be as low as (or lower than) 0.01 psia. The lower partial pressure of water vapor in the water vapor channels **18** further facilitates the flow of water vapor **26** from the air channels **16** to the water vapor channels **18** because the air **14** flowing through the air channels **16** is at local atmospheric pressure (i.e., approximately 14.7 psia at sea level). Since the partial pressure of water vapor in the air **14** in the air channels **16** is greater than the partial pressure of the water vapor **26** in the water vapor channels **18**, a pressure gradient is created from the air channels **16** to the water vapor channels **18**. As described previously, the interfaces **20** between adjacent air channels **16** and water vapor channels **18** provide a barrier, and allow substantially only water vapor **26** to flow from the air **14** in the air channels **16** into the water vapor channels **18**. As such, the air **14** flowing through the air channels **16** will generally decrease in humidity from the inlet air **14A** to the outlet air **14B**.

The use of water vapor permeable membranes as the interfaces **20** between the air channels **16** and the water vapor channels **18** has many advantages. In particular, in some embodiments, no additional energy is required to generate the humidity gradient from the air channels **16** to the water vapor channels **18**. In addition, in some embodiments, no regeneration is involved and no environmental emissions (e.g., solids, liquids, or gases) are generated. Indeed, in accordance with one embodiment, separation of the water vapor **26** from the other components **30** of the air **14** via water permeable membranes (i.e., the interfaces **20**) can be accomplished at energy efficiencies much greater than compressor technology used to condense water directly from the airstream.

Because water vapor permeable membranes are highly permeable to water vapor, the costs of operating the dehumidification unit **12** may be minimized because the air **14** flowing through the air channels **16** does not have to be significantly pressurized to facilitate the passage of H₂O through the interfaces **20**. Water vapor permeable membranes

are also highly selective to the permeation of the water vapor from the air **14**. In other words, water vapor permeable membranes are very efficient at preventing components **30** of the air **14** other than water vapor from entering the water vapor channels **18**. This is advantageous because the H₂O passes through the interfaces **20** due to a pressure gradient (i.e., due to the lower partial pressures of water vapor in the water vapor channels **18**) and any permeation or leakage of air **14** into the water vapor channels **18** will increase the power consumption of the vacuum pump used to evacuate the water vapor channels **18**. In addition, water vapor permeable membranes are rugged enough to be resistant to air contamination, biological degradation, and mechanical erosion of the air channels **16** and the water vapor channels **18**. Water vapor permeable membranes may also be resistant to bacteria attachment and growth in hot, humid air environments in accordance with one embodiment.

One example of a material used for the water vapor permeable membranes (i.e., the interfaces **20**) is zeolite supported on thin, porous metal sheets. In particular, in certain embodiments, an ultrathin (e.g., less than approximately 2 μm), dense zeolite membrane film may be deposited on an approximately 50 μm thick porous metal sheet. The resulting membrane sheets may be packaged into a membrane separation module to be used in the dehumidification unit **12**. FIG. 4 is a perspective view of a separation module **32** formed using a membrane that may be used as a water vapor channel **18** of the dehumidification unit **12** of FIGS. 1-3 in accordance with an embodiment of the present disclosure. Two membrane sheets **34**, **36** may be folded and attached together into a generally rectangular shape with a channel for the water vapor having a width w_{msm} of approximately 5 mm. The separation module **32** may be positioned within the dehumidification unit **12** such that the membrane coating surface is exposed to the air **14**. The thinness of the metal support sheet reduces the weight and cost of the raw metal material and also minimizes resistance to the H₂O diffusing through the water vapor permeable membrane film deposited on the membrane sheets **34**, **36**. The metallic nature of the sheets **34**, **36** provides mechanical strength and flexibility for packaging such that the separation module **32** can withstand a pressure gradient of greater than approximately 60 psi (i.e., approximately 4 times atmospheric pressure).

Separation of water vapor from the other components **30** of the air **14** may create a water vapor permeation flux of approximately 1.0 kg/m²/h (e.g., in a range of approximately 0.5-2.0 kg/m²/h), and a water vapor-to-air selectivity range of approximately 5-200+. As such, the efficiency of the dehumidification unit **12** is relatively high compared to other conventional dehumidification techniques with a relatively low cost of production. As an example, approximately 7-10 m² of membrane area of the interfaces **20** may be needed to dehumidify 1 ton of air cooling load under ambient conditions. In order to handle such an air cooling load, in certain embodiments, 17-20 separation modules **32** having a height h_{msm} of approximately 450 mm, a length l_{msm} of approximately 450 mm, and a width w_{msm} of approximately 5 mm may be used. These separation modules **32** may be assembled side-by-side in the dehumidification unit **12**, leaving approximately 2 mm gaps between the separation modules **32**. These gaps define the air channels **16** through which the air **14** flows. The measurements described in this example are merely exemplary and not intended to be limiting.

FIG. 5 is a psychrometric chart **38** of the temperature and the humidity ratio of the moist air **14** flowing through the dehumidification unit **12** of FIGS. 1-3 in accordance with an embodiment of the present disclosure. In particular, the x-axis

40 of the psychrometric chart 38 corresponds to the temperature of the air 14 flowing through the air channels 16 of FIG. 1, the y-axis 42 of the psychrometric chart 38 corresponds to the humidity ratio of the air 14 flowing through the air channels 16, and the curve 44 represents the water vapor saturation curve of the air 14 flowing through the air channels 16. As illustrated by line 46, because water vapor is removed from the air 14 flowing through the air channels 16, the humidity ratio of the outlet air 14B (i.e., point 48) from the dehumidification unit 12 of FIGS. 1-3 is lower than the humidity ratio of the inlet air 14A (i.e., point 50) into the dehumidification unit 12 of FIGS. 1-3, while the temperature of the outlet air 14B and the inlet air 14A are substantially the same.

Returning now to FIG. 1, as described previously, a lower partial pressure of the water vapor 26 (i.e., a partial pressure less than the partial pressure of water vapor in the air channels 16) is created in the water vapor channels 18 of the dehumidification unit 12 to further facilitate the passage of H₂O through the interfaces 20 from the air channels 16 to the water vapor channels 18. In certain embodiments, the water vapor channels 18 may initially be evacuated using a vacuum pump 52. In particular, the vacuum pump 52 may evacuate the water vapor channels 18 and the water vapor vacuum volume 28, as well as the water vapor outlets 22 and the water vapor manifold 24 of FIG. 2A. However, in other embodiments, a pump separate from the vacuum pump 52 may be used to evacuate the water vapor channels 18, water vapor vacuum volume 28, water vapor outlets 22, and water vapor manifold 24. As illustrated in FIG. 1, the water vapor 26 removed from the air 14 in the dehumidification unit 12 may be distinguished between the water vapor 26A in the water vapor vacuum volume 28 (i.e., the suction side of the vacuum pump 52) and the water vapor 26B expelled from an exhaust side (i.e., an outlet) of the vacuum pump 52 (i.e., the water vapor 26B delivered to a condensation unit). In general, the water vapor 26B expelled from the vacuum pump 52 will have a slightly higher pressure and a higher temperature than the water vapor 26A in the water vapor vacuum volume 28. The vacuum pump 52 may be a compressor or any other suitable pressure increasing device capable of maintaining a lower pressure on the suction side of the vacuum pump 52 than the partial pressure of water vapor in the humid air 14.

For example, the lower partial pressure of water vapor 26A maintained in the water vapor vacuum volume 28 may be in the range of approximately 0.15-0.25 psia, which corresponds to saturation temperatures of approximately 45° F. to 60° F., with the water vapor 26A typically be in the range of approximately 65-75° F. However, in other embodiments, the water vapor 26A in the water vapor vacuum volume 28 may be maintained at a partial pressure of water vapor in the range of approximately 0.01-0.25 psia and a temperature in the range of approximately 55° F. up to the highest ambient air temperature. A specific embodiment may be designed to lower the partial pressure in the water vapor vacuum volume 28 to the range of 0.01 psia to increase the capacity for removing water vapor from the air 14 to enable an evaporative cooler to process the entire air conditioning load when atmospheric conditions permit this mode of operation.

In certain embodiments, the vacuum pump 52 is a low-pressure pump configured to decrease the pressure of the water vapor 26A in the water vapor vacuum volume 28 to a lower partial pressure than the partial pressure of water vapor on the atmospheric side of the interfaces 20 (i.e., the partial pressure of the air 14 in the air channels 16). On the exhaust side of the vacuum pump 52, the partial pressure of the water vapor 26B has been increased just high enough to facilitate condensation of the water vapor (i.e., in a condensation unit

54). Indeed, the vacuum pump 52 is configured to increase the pressure such that the water vapor 26B in the condensation unit 54 is at a pressure proximate to a minimal saturation pressure in the condensation unit 54.

As an example, when in operation, the air 14 may enter the system at a partial pressure of water vapor of 0.32 psia, which corresponds to a humidity ratio of 0.014 pounds of H₂O per pounds of dry air. The system may be set to remove 0.005 pounds of H₂O per pounds of dry air from the air 14. Pressure differentials across the interfaces 20 may be used to create a flow of H₂O through the interfaces 20. For example, the partial pressure of water vapor in the water vapor vacuum volume 28 may be set to approximately 0.1 psia. The pressure of the water vapor 26B is increased by the vacuum pump 52 in a primarily adiabatic process, and as the pressure of the water vapor 26B increases, the temperature increases as well (in contrast to the relatively negligible temperature differential across the interfaces 20). As such, if for example the pressure of the water vapor 26B is increased in the vacuum pump 52 by 0.3 psi (i.e., to approximately 0.4 psia), the condensation unit 54 is then capable of condensing the water vapor 26B at a temperature of approximately 72-73° F., and the temperature of the water vapor 26B will increase to a temperature substantially higher than the condenser temperature. The system may continually monitor the pressure and temperature conditions of both the upstream water vapor 26A and the downstream water vapor 26B to ensure that the water vapor 26B expelled from the vacuum pump 52 has a partial pressure of water vapor just high enough to facilitate condensation in the condensation unit 54. It should be noted that the pressure and temperature values presented in this scenario are merely exemplary and are not intended to be limiting.

Note that as the pressure difference from the water vapor 26A entering the vacuum pump 52 to the water vapor 26B exiting the vacuum pump 52 increases, the efficiency of the dehumidification unit 12 decreases. For example, in a preferred embodiment, the vacuum pump 52 will be set to adjust the pressure of the water vapor 26B in the condensation unit 54 slightly above the saturation pressure at the lowest ambient temperature of the cooling media (i.e., air or water) used by the condensation unit 54 to condense the water vapor 26B. In another embodiment, the temperature of the water vapor 26B may be used to control the pressure in the condensation unit 54. The temperature of the water vapor 26B expelled from the vacuum pump 52 may be substantially warmer than the humid air 14A (e.g., this temperature could reach 200° F. or above depending on a variety of factors). Because the vacuum pump 52 only increases the pressure of the water vapor 26B to a point where condensation of the water vapor 26B is facilitated (i.e., approximately the saturation pressure), the power requirements of the vacuum pump 52 are relatively small, thereby obtaining a high efficiency from the dehumidification unit 12.

Once the water vapor 26B has been slightly pressurized (i.e., compressed) by the vacuum pump 52, the water vapor 26B is directed into the condensation unit 54, wherein the water vapor 26B is condensed into a liquid state. In certain embodiments, the condensation unit 54 may include a condensation coil 56, a pipe/tube condenser, a flat plate condenser, or any other suitable system for causing a temperature below the condensation point of the water vapor 26B. The condensation unit 54 may either be air cooled or water cooled. For example, in certain embodiments, the condensation unit 54 may be cooled by ambient air or water from a cooling tower. As such, the costs of operating the condensation unit 54 may be relatively low, inasmuch as both ambient air and cooling tower water are in relatively limitless supply.

11

Once the water vapor 26B has been condensed into a liquid state, in certain embodiments, the liquid water from the condensation unit 54 may be directed into a reservoir 58 for temporary storage of saturated vapor and liquid water. However, in other embodiments, no reservoir 58 may be used. In either case, the liquid water from the condensation unit 54 may be directed into a liquid pump 60 (i.e., a water transport device), within which the pressure of the liquid water from the condensation unit 54 is increased to approximately atmospheric pressure (i.e., approximately 14.7 psia) so that the liquid water may be rejected at ambient conditions. As such, the liquid pump 60 may be sized just large enough to increase the pressure of the liquid water from the condensation unit 54 to approximately atmospheric pressure. Therefore, the costs of operating the liquid pump 60 may be relatively low. In addition, the liquid water from the liquid pump 60 may be at a slightly elevated temperature due to the increase in the pressure of the liquid water. As such, in certain embodiments, the heated liquid water may be transported for use as domestic hot water, further increasing the efficiency of the system by recapturing the heat transferred into the liquid water.

Although the interfaces 20 between the air channels 16 and the water vapor channels 18 as described previously generally allow only H₂O to pass from the air channels 16 to the water vapor channels 18, in certain embodiments, very minimal amounts (e.g., less than 1% of the oxygen (O₂), nitrogen (N₂), or other noncondensable components) of the other components 30 of the air 14 may be allowed to pass through the interfaces 20 from the air channels 16 to the water vapor channels 18. Over time, the amount of the other components 30 may build up in the water vapor channels 18 (as well as in the water vapor vacuum volume 28, the water vapor outlets 22, and the water vapor manifold 24 of FIG. 2A). In general, these other components 30 are noncondensable at the condenser temperature ranges used in the condensation unit 54. As such, the components 30 may adversely affect the performance of the vacuum pump 52 and all other equipment downstream of the vacuum pump 52 (in particular, the condensation unit 54).

Accordingly, in certain embodiments, a second vacuum pump may be used to periodically purge the other components 30 from the water vapor vacuum volume 28. FIG. 6 is a schematic diagram of the HVAC system 10 and the dehumidification unit 12 of FIG. 1 having a vacuum pump 62 for removing noncondensable components 30 from the water vapor 26A in the water vapor vacuum volume 28 of the dehumidification unit 12 in accordance with an embodiment of the present disclosure. The vacuum pump 62 may, in certain embodiments, be the same pump used to evacuate the water vapor vacuum volume 28 (as well as the water vapor channels 18, the water vapor outlets 22, and the water vapor manifold 24) to create the lower partial pressure of water vapor described previously that facilitates the passage of the H₂O through the interfaces 20 from the air channels 16 to the water vapor channels 18. However, in other embodiments, the vacuum pump 62 may be different from the pump used to evacuate the water vapor vacuum volume 28 to create the lower partial pressure of water vapor.

The dehumidification unit 12 described herein may also be controlled between various operating states, and modulated based on operating conditions of the dehumidification unit 12. For example, FIG. 7 is a schematic diagram of the HVAC system 10 and the dehumidification unit 12 of FIG. 6 having a control system 64 for controlling various operating conditions of the HVAC system 10 and the dehumidification unit 12 in accordance with an embodiment of the present disclosure. The control system 64 may include one or more processors

12

66, for example, one or more “general-purpose” microprocessors, one or more special-purpose microprocessors and/or ASICS (application-specific integrated circuits), or some combination of such processing components. The processors 66 may use input/output (I/O) devices 68 to, for example, receive signals from and issue control signals to the components of the dehumidification unit 12 (i.e., the vacuum pumps 52, 62, the condensation unit 54, the reservoir 58, the liquid pump 60, other equipment such as a fan blowing the inlet air 14A through the dehumidification unit 12, sensors configured to generate signals related to characteristics of the inlet and outlet air 14A, 14B, and so forth). The processors 66 may take these signals as inputs and calculate how to control the functionality of these components of the dehumidification unit 12 to most efficiently remove the water vapor 26 from the air 14 flowing through the dehumidification unit 12. The control system 64 may also include a nontransitory computer-readable medium (i.e., a memory 70) which, for example, may store instructions or data to be processed by the one or more processors 66 of the control system 64.

For example, the control system 64 may be configured to control the rate of removal of the noncondensable components 30 of the water vapor 26A from the water vapor vacuum volume 28 of the dehumidification unit 12 by turning the vacuum pump 62 on or off, or by modulating the rate at which the vacuum pump 62 removes the noncondensable components 30 of the water vapor 26A. More specifically, in certain embodiments, the control system 64 may receive signals from a sensor in the water vapor vacuum volume 28 that detects when too many noncondensable components 30 are present in the water vapor 26A contained in the water vapor vacuum volume 28. This process of noncondensable component removal will operate in a cyclical manner. In “normal” operation of removing the water vapor 26 from the air 14, the vacuum pump 62 will not be in operation. As the noncondensable components 30 build up in the water vapor vacuum volume 28, the internal pressure in the water vapor vacuum volume 28 will eventually reach a setpoint. At this point in time, the vacuum pump 62 will turn on and remove all components (i.e., both the noncondensable components 30 as well as H₂O, including the water vapor) until the internal pressure in the water vapor vacuum volume 28 reaches another setpoint (e.g., lower than the starting vacuum pressure). Then, the vacuum pump 62 shuts off and the dehumidification unit 12 returns to the normal operational mode. Setpoints may either be preset or dynamically determined. A preferred method will be to have the vacuum pump 62 only operating in the purge mode intermittently.

Another example of the type of control that may be accomplished by the control system 64 is modulating the lower partial pressure of the water vapor 26A in the water vapor vacuum volume 28 (as well as the water vapor channels 18, the water vapor outlets 22, and the water vapor manifold 24) to modify the water vapor removal capacity and efficiency ratio of the dehumidification unit 12. For example, the control system 64 may receive signals from pressure sensors in the water vapor vacuum volume 28, the water vapor channels 18, the water vapor outlets 22, and/or the water vapor manifold 24, as well as signals generated by sensors relating to characteristics (e.g., temperature, pressure, flow rate, relative humidity, and so forth) of the inlet and outlet air 14A, 14B, among other things. The control system 64 may use this information to determine how to modulate the lower partial pressure of the water vapor 26A (e.g., with respect to the partial pressure of water vapor in the air 14 flowing through the air channels 16) to increase or decrease the rate of removal

13

of water vapor **26** from the air channels **16** to the water vapor channels **18** through the interfaces **20**.

For example, if more water vapor removal is desired, the lower partial pressure of the water vapor **26A** in the water vapor vacuum volume **28** may be reduced and, conversely, if less water vapor removal is desired, the lower partial pressure of the water vapor **26A** in the water vapor vacuum volume **28** may be increased. Furthermore, in certain embodiments, the amount of dehumidification (i.e., water vapor removal) may be cycled to improve the efficiency of the dehumidification unit **12**. More specifically, under certain operating conditions, the dehumidification unit **12** may function more efficiently at higher rates of water vapor removal. As such, in certain embodiments, the dehumidification unit **12** may be cycled to remove a maximum amount of water vapor from the air **14** for a while, then to remove relatively no water vapor from the air **14** for a while, then to remove a maximum amount of water vapor from the air **14** for a while, and so forth. In other words, the dehumidification unit **12** may be operated at full water vapor removal capacity for periods of time alternating with other periods of time where no water vapor is removed. In addition, the control system **64** may be configured to control start-up and shutdown sequencing of the dehumidification unit **12**.

The dehumidification unit **12** may be designed and operated in many various modes, and at varying operating conditions. In general, the dehumidification unit **12** will be operated with the water vapor vacuum volume **28** (as well as the water vapor channels **18**, the water vapor outlets **22**, and the water vapor manifold **24**) at a water vapor partial pressure below the water vapor partial pressure of the air **14** flowing through the air channels **16**. In certain embodiments, the dehumidification unit **12** may be optimized for dedicated outside air system (DOAS) use, wherein the air **14** may have a temperature in the range of approximately 55-100° F., and a relative humidity in the range of approximately 55-100%. In other embodiments, the dehumidification unit **12** may be optimized for residential use for recirculated air having a temperature in the range of approximately 70-85° F., and a relative humidity in the range of approximately 55-65%. Similarly, in certain embodiments, the dehumidification unit **12** may be optimized for dehumidifying outside air in commercial building recirculated air systems, which dehumidifies the inlet air **14A** having a temperature in the range of approximately 55-110° F., and a relative humidity in the range of approximately 55-100%. The outlet air **14B** has less humidity and about the same temperature as the inlet air **14A**, unless cooling is performed on the outlet air **14B**.

The dehumidification unit **12** described herein requires less operating power than conventional dehumidification systems because of the relatively low pressures that are required to dehumidify the air **14A**. This is due at least in part to the ability of the interfaces **20** (i.e., water vapor permeable membranes) to remove the water vapor **26** from the air **14** efficiently without requiring excessive pressures to force the water vapor **26** through the interfaces **20**. For example, in one embodiment, the minimal power needed to operate the dehumidification unit **12** includes only the fan power required to move the air **14** through the dehumidification unit **12**, the compressive power of the vacuum pump **52** to compress the water vapor **26** to approximately the saturation pressure (for example, to approximately 1.0 psia, or to a saturation pressure that corresponds to a given condensation temperature, for example, approximately 100° F.), the pumping and/or fan power of the condensation unit **54** (e.g., depending on whether cooling tower water or ambient air is used as the cooling medium), the pumping power of the liquid pump **60**

14

to reject the liquid water from the condensation unit **54** at ambient conditions, and the power of the vacuum pump **62** to purge noncondensable components **30** that leak into the water vapor vacuum volume **28** of the dehumidification unit **12**. As such, the only relatively major power component required to operate the dehumidification unit **12** is the compressive power of the vacuum pump **52** to compress the water vapor **26** to approximately the saturation pressure (for example, only to approximately 1.0 psia, or to a saturation pressure that corresponds to a given condensation temperature, for example, approximately 100° F.). As mentioned previously, this power is relatively low and, therefore, operating the dehumidification unit **12** is relatively inexpensive as opposed to conventional refrigeration compression dehumidification systems. Moreover, calculations for an embodiment indicate that the dehumidification unit **12** has a coefficient of performance (COP) at least twice as high (or even up to five times as high, depending on operating conditions) as these conventional dehumidification systems. In addition, the dehumidification unit **12** enables the dehumidification of air without reducing the temperature of the air below the temperature at which the air is needed, as is often done in conventional dehumidification systems.

In certain embodiments, multiple instances of the dehumidification unit **12** described previously with respect to FIGS. **1** through **7** may be used in a single HVAC system. For example, FIG. **8** is a schematic diagram of an HVAC system **72** having a plurality of dehumidification units **12** (i.e., a first dehumidification unit **74**, a second dehumidification unit **76**, and a third dehumidification unit **78**) arranged in series in accordance with an embodiment of the present disclosure. Although illustrated as having three dehumidification units **74**, **76**, **78** in series, any number of dehumidification units **12** may indeed be used in series in the HVAC system **72**. For example, in other embodiments, 2, 4, 5, 6, 7, 8, 9, 10, or even more dehumidification units **12** may be used in series in the HVAC system **72**.

The HVAC system **72** of FIG. **8** generally functions the same as the HVAC system **10** of FIGS. **1**, **6**, and **7**. More specifically, as illustrated in FIG. **8**, the HVAC system **72** receives the inlet air **14A** having a relatively high humidity. However, the relatively dry air **14B** from the first dehumidification unit **74** is not expelled into the atmosphere. Rather, as illustrated in FIG. **8**, the air **14B** expelled from the first dehumidification unit **74** is directed into the second dehumidification unit **76** via a first duct **80**. Similarly, air **14C** expelled from the second dehumidification unit **76** is directed into the third dehumidification unit **78** via a second duct **82**. Outlet air **14D** from the third dehumidification unit **78** is then expelled into the conditioned space. Because the dehumidification units **74**, **76**, **78** of the HVAC system **72** are arranged in series, each successive airstream will be relatively dryer than the upstream airstreams. For example, outlet air **14D** is dryer than air **14C**, which is dryer than air **14B**, which is dryer than inlet air **14A**.

As illustrated, many of the components of the HVAC system **72** of FIG. **8** may be considered identical to the components of the HVAC system **10** of FIGS. **1**, **6**, and **7**. For example, as described previously, the dehumidification units **74**, **76**, **78** of the HVAC system **72** of FIG. **8** may be considered identical to the dehumidification units **12** of FIGS. **1**, **6**, and **7**. In addition, the HVAC system **72** of FIG. **8** also includes the condensation unit **54** that receives water vapor **26B** having a partial pressure just high enough to facilitate condensation, as described previously. In certain embodiments, the HVAC system **72** of FIG. **8** may also include the reservoir **58** for temporary storage of saturated vapor and

15

liquid water. However, as described previously, in other embodiments, no reservoir may be used. In either case, the liquid water from the condensation unit **54** may be directed into the liquid pump **60**, within which the pressure of the liquid water from the condensation unit **54** is increased to approximately atmospheric pressure (i.e., approximately 14.7 psia) so that the liquid water may be rejected at ambient conditions.

As illustrated in FIG. **8**, in certain embodiments, each dehumidification unit **74**, **76**, **78** may be associated with a respective vacuum pump **84**, **86**, **88**, each of which is similar in functionality to the vacuum pump **52** of FIGS. **1**, **6**, and **7**. However, because water vapor is removed from each successive dehumidification unit **74**, **76**, **78**, the partial pressure of water vapor in the air **14** will be gradually reduced at each successive dehumidification unit **74**, **76**, **78**. For example, as described previously, the partial pressure of water vapor in the inlet air **14A** may be in the range of approximately 0.2-1.0 psia; the partial pressure of water vapor in the air **14B** from the first dehumidification unit **74** may be in the range of approximately 0.17-0.75 psia (accomplishing approximately $\frac{1}{3}$ of the drop); the partial pressure of water vapor in the air **14C** from the second dehumidification unit **76** may be in the range of approximately 0.14-0.54 psia (accomplishing approximately the next $\frac{1}{3}$ of the drop); and the partial pressure of water vapor in the outlet air **14D** from the third dehumidification unit **78** may be in the range of approximately 0.10-0.25 psia, which is consistent with a 60° F. saturation temperature or lower. The very low values may be used to increase capacity for occasional use.

In certain embodiments, the partial pressure of water vapor in the water vapor vacuum volumes **90**, **92**, **94** (e.g., that are similar in functionality to the water vapor vacuum volume **28** described previously) associated with each respective vacuum pump **84**, **86**, **88** may be modulated to ensure an optimal flow of water vapor **26** from each respective dehumidification unit **74**, **76**, **78**. For example, the partial pressure of the water vapor **26A** in the water vapor vacuum volume **28** described previously may be maintained in a range of approximately 0.15-0.25 psia. However, in the HVAC system **72** of FIG. **8**, the partial pressure of the water vapor **26A** in the first water vapor vacuum volume **90** may be maintained in a range of approximately 0.15-0.7 psia, the partial pressure of the water vapor **26A** in the second water vapor vacuum volume **92** may be maintained in a range of approximately 0.12-0.49 psia, and the partial pressure of the water vapor **26A** in the third water vapor vacuum volume **94** may be maintained in a range of approximately 0.09-0.24 psia. Regardless, it may be expected that less water vapor **26** will be removed in each successive dehumidification unit **74**, **76**, **78**, and will generally be optimized to minimize energy required to operate the system.

As illustrated in FIG. **8**, in certain embodiments, each of the vacuum pumps **84**, **86**, **88** may compress the water vapor **26** and direct it into a common manifold **96** having a substantially constant partial pressure of water vapor (i.e., just high enough to facilitate condensation in the condensation unit **54**) such that the water vapor **26** flows in a direction opposite to the flow of the air **14**. In other embodiments, the water vapor **26** extracted from each successive dehumidification unit **74**, **76**, **78** may be compressed by its respective vacuum pump **84**, **86**, **88** and then combined with the water vapor **26** extracted from the next upstream dehumidification unit **74**, **76**, **78**. For example, in other embodiments, the water vapor **26** from the third dehumidification unit **78** may be compressed by the third vacuum pump **88** and then combined with the water vapor **26** from the second dehumidification unit **76** in the

16

second water vapor vacuum volume **92**. Similarly, the water vapor **26** compressed by the second vacuum pump **86** may be combined with the water vapor **26** from the first dehumidification unit **74** in the first water vapor vacuum volume **90**. In this embodiment, the exhaust side of each successive vacuum pump **84**, **86**, **88** increases the partial pressure of the water vapor **26** only to the operating pressure of the next upstream vacuum pump **84**, **86**, **88**. For example, the third vacuum pump **88** may only increase the pressure of the water vapor **26** to approximately 0.2 psia if the partial pressure of water vapor in the second water vapor vacuum volume **92** is approximately 0.2 psia. Similarly, the second vacuum pump **86** may only increase the pressure of the water vapor **26** to approximately 0.35 psia if the partial pressure of water vapor in the first water vapor vacuum volume **90** is approximately 0.35 psia. In this embodiment, the water vapor **26** compressed by the first vacuum pump **84** will be directed into the condensation unit **54** at a partial pressure of water vapor just high enough to facilitate condensation.

It should be noted that the specific embodiment illustrated in FIG. **8** having a plurality of dehumidification units **74**, **76**, **78** arranged in series may be configured in various ways not illustrated in FIG. **8**. For example, although illustrated as using a respective vacuum pump **84**, **86**, **88** with each dehumidification unit **74**, **76**, **78**, in certain embodiments, a single vacuum pump **52** may be used with multiple inlet ports connected to the first, second, and third water vapor vacuum volumes **90**, **92**, **94**. In addition, although illustrated as using a single condensation unit **54**, reservoir **58**, and liquid pump **60** to condense the water vapor **26B** into a liquid state, and store and/or transport the liquid water from the HVAC system **72**, in other embodiments, each set of dehumidification units **74**, **76**, **78** and vacuum pumps **84**, **86**, **88** may be operated independently and be associated with their own respective condensation units **54**, reservoirs **58**, and liquid pumps **60**.

In addition, the control system **64** of FIG. **7** may also be used in the HVAC system **72** of FIG. **8** to control the operation of the HVAC system **72** in a similar manner as described previously with respect to FIG. **7**. For example, as described previously, the control system **64** may be configured to control the rate of removal of the noncondensable components **30** of the water vapor **26** in the water vapor vacuum volumes **90**, **92**, **94** by turning the vacuum pumps **84**, **86**, **88** (or separate vacuum pumps **62**, as described previously with respect to FIGS. **6** and **7**) on or off, or by modulating the rate at which the vacuum pumps **84**, **86**, **88** (or separate vacuum pumps **62**, as described previously with respect to FIGS. **6** and **7**) remove the noncondensable components **30**. More specifically, in certain embodiments, the control system **64** may receive signals from sensors in the water vapor vacuum volumes **90**, **92**, **94** that detect when too many noncondensable components **30** are present in the water vapor **26A** contained in the water vapor vacuum volumes **90**, **92**, **94**.

In addition, the control system **64** may modulate the lower partial pressure of the water vapor **26A** in the water vapor vacuum volumes **90**, **92**, **94** to modify the water vapor removal capacity and efficiency ratio of the dehumidification units **74**, **76**, **78**. For example, the control system **64** may receive signals from pressure sensors in the water vapor vacuum volumes **90**, **92**, **94**, the water vapor channels **18**, as well as signals generated by sensors relating to characteristics (e.g., temperature, pressure, flow rate, relative humidity, and so forth) of the air **14**, among other things. The control system **64** may use this information to determine how to modulate the lower partial pressure of the water vapor **26A** in the water vapor vacuum volumes **90**, **92**, **94** to increase or decrease the rate of removal of water vapor **26** from the air channels **16** to

17

the water vapor channels **18** through the interfaces **20** of the dehumidification units **74, 76, 78** as H₂O (i.e., as water molecules, gaseous water vapor, liquid water, adsorbed/desorbed water molecules, absorbed/desorbed water molecules, and so forth, through the interfaces **20**).

For example, if more water vapor removal is desired, the lower partial pressure of the water vapor **26A** in the water vapor vacuum volumes **90, 92, 94** may be reduced and, conversely, if less water vapor removal is desired, the lower partial pressure of the water vapor **26A** in the water vapor vacuum volumes **90, 92, 94** may be increased. Furthermore, as described above, the amount of dehumidification (i.e., water vapor removal) may be cycled to improve the efficiency of the dehumidification units **74, 76, 78**. More specifically, under certain operating conditions, the dehumidification units **74, 76, 78** may function more efficiently at higher rates of water vapor removal. As such, in certain embodiments, the dehumidification units **74, 76, 78** may be cycled to remove a maximum amount of water vapor from the air **14** for a while, then to remove relatively no water vapor from the air **14** for a while, then to remove a maximum amount of water vapor from the air **14** for a while, and so forth. In other words, the dehumidification units **74, 76, 78** may be operated at full water vapor removal capacity for periods of time alternating with other periods of time where no water vapor is removed. In addition, the control system **64** may be configured to control start-up and shutdown sequencing of the dehumidification units **74, 76, 78**.

While FIG. **8** includes a serial arrangement of multiple dehumidification units **12**, present embodiments include other ways in which multiple dehumidification units **12** may be arranged in a single HVAC system. For example, FIG. **9** is a schematic diagram of an HVAC system **98** having a plurality of dehumidification units **12** (i.e., a first dehumidification unit **100**, a second dehumidification unit **102**, and a third dehumidification unit **104**) arranged in parallel in accordance with an embodiment of the present disclosure. Although illustrated as having three dehumidification units **100, 102, 104** in parallel, any number of dehumidification units **12** may indeed be used in parallel in the HVAC system **98**. For example, in other embodiments, **2, 4, 5, 6, 7, 8, 9, 10**, or even more dehumidification units **12** may be used in parallel in the HVAC system **98**.

The HVAC system **98** of FIG. **9** generally functions the same as the HVAC system **10** of FIGS. **1, 6, and 7** and the HVAC system **72** of FIG. **8**. More specifically, as illustrated in FIG. **9**, each dehumidification unit **100, 102, 104** of the HVAC system **98** receives the inlet air **14A** having a relatively high humidity and expels the outlet air **14B** having a relatively low humidity. As illustrated, many of the components of the HVAC system **98** of FIG. **9** may be considered identical to the components of the HVAC system **10** of FIGS. **1, 6, and 7** and the HVAC system **72** of FIG. **8**. For example, the dehumidification units **100, 102, 104** of the HVAC system **98** of FIG. **9** may be considered identical to the dehumidification units **12** of FIGS. **1, 6, and 7** and the dehumidification units **74, 76, 78** of FIG. **8**. In addition, the HVAC system **98** of FIG. **9** also includes the condensation unit **54** that receives water vapor **26B** having a partial pressure just high enough to facilitate condensation, as described previously. In certain embodiments, the HVAC system **98** of FIG. **9** may also include the reservoir **58** for temporary storage of saturated vapor and liquid water. However, as described previously, in other embodiments, no reservoir may be used. In either case, the liquid water from the condensation unit **54** may be directed into the liquid pump **60**, within which the pressure of the liquid water from the condensation unit **54** is increased to

18

approximately atmospheric pressure (i.e., approximately 14.7 psia) so that the liquid water may be rejected at ambient conditions.

As illustrated in FIG. **9**, in certain embodiments, each dehumidification unit **100, 102, 104** may be associated with a respective vacuum pump **106, 108, 110**, each of which is similar in functionality to the vacuum pump **52** of FIGS. **1, 6, and 7** and the vacuum pumps **84, 86, 88** of FIG. **8**. However, as opposed to the HVAC system **72** of FIG. **8**, because the dehumidification units **100, 102, 104** and associated vacuum pumps **106, 108, 110** are arranged in parallel, the partial pressure of water vapor in the air **14** will be approximately the same in each dehumidification unit **100, 102, 104**. As such, in general, the partial pressure of water vapor in the water vapor vacuum volumes **112, 114, 116** associated with each respective vacuum pump **106, 108, 110** will also be approximately the same. For example, as described previously with respect to the HVAC system **10** of FIGS. **1, 6, and 7**, the partial pressure of the water vapor **26A** in the water vapor vacuum volumes **112, 114, 116** may be maintained in a range of approximately 0.10-0.25 psia.

As illustrated in FIG. **9**, in certain embodiments, each of the vacuum pumps **106, 108, 110** may compress the water vapor **26** and direct it into a common manifold **118** having a substantially constant partial pressure of water vapor (i.e., just high enough to facilitate condensation in the condensation unit **54**). In other embodiments, the water vapor **26** extracted from each successive dehumidification unit **100, 102, 104** (i.e., from top to bottom) may be compressed by its respective vacuum pump **106, 108, 110** and then combined with the water vapor **26** extracted from the next downstream (i.e., with respect to the common manifold) dehumidification unit **100, 102, 104**. For example, in other embodiments, the water vapor **26** from the first dehumidification unit **100** may be compressed by the first vacuum pump **106** and then combined with the water vapor **26** from the second dehumidification unit **102** in the second water vapor vacuum volume **114**. Similarly, the water vapor **26** compressed by the second vacuum pump **108** may be combined with the water vapor **26** from the third dehumidification unit **104** in the third water vapor vacuum volume **116**. In this embodiment, the exhaust side of each successive vacuum pump **106, 108, 110** increases the partial pressure of the water vapor **26** only to the operating pressure of the next downstream vacuum pump **106, 108, 110**. For example, the first vacuum pump **106** may only increase the pressure of the water vapor **26** to approximately 0.2 psia if the partial pressure of water vapor in the second water vapor vacuum volume **114** is approximately 0.2 psia. Similarly, the second vacuum pump **108** may only increase the pressure of the water vapor **26** to approximately 0.35 psia if the partial pressure of water vapor in the third water vapor vacuum volume **116** is approximately 0.35 psia. In this embodiment, the water vapor **26** compressed by the third vacuum pump **110** will be directed into the condensation unit **54** at a partial pressure of water vapor just high enough to facilitate condensation.

It should be noted that the specific embodiment illustrated in FIG. **9** having a plurality of dehumidification units **100, 102, 104** arranged in parallel may be configured in various ways not illustrated in FIG. **9**. For example, although illustrated as using a respective vacuum pump **106, 108, 110** with each dehumidification unit **100, 102, 104**, in certain embodiments, a single vacuum pump **52** may be used with multiple inlet ports connected to the first, second, and third water vapor vacuum volumes **112, 114, 116**. In addition, although illustrated as using a single condensation unit **54**, reservoir **58**, and liquid pump **60** to condense the water vapor **26B** into a liquid

state, and store and/or transport the liquid water from the HVAC system 98, in other embodiments, each set of dehumidification units 100, 102, 104 and vacuum pumps 106, 108, 110 may be operated independently and be associated with their own respective condensation units 54, reservoirs 58, and liquid pumps 60.

In addition, the control system 64 of FIG. 7 may also be used in the HVAC system 98 of FIG. 9 to control the operation of the HVAC system 98 in a similar manner as described previously with respect to FIG. 7. For example, as described previously, the control system 64 may be configured to control the rate of removal of the noncondensable components 30 of the water vapor 26A in the water vapor vacuum volumes 112, 114, 116 by turning the vacuum pumps 106, 108, 110 (or separate vacuum pumps 62, as described previously with respect to FIGS. 6 and 7) on or off, or by modulating the rate at which the vacuum pumps 106, 108, 110 (or separate vacuum pumps 62, as described previously with respect to FIGS. 6 and 7) remove the noncondensable components 30. More specifically, in certain embodiments, the control system 64 may receive signals from sensors in the water vapor vacuum volumes 112, 114, 116 that detect when too many noncondensable components 30 are present in the water vapor 26A contained in the water vapor vacuum volumes 112, 114, 116.

In addition, the control system 64 may modulate the lower partial pressure of the water vapor 26A in the water vapor vacuum volumes 112, 114, 116 to modify the water vapor removal capacity and efficiency ratio of the dehumidification units 100, 102, 104. For example, the control system 64 may receive signals from pressure sensors in the water vapor vacuum volumes 112, 114, 116, the water vapor channels 18, as well as signals generated by sensors relating to characteristics (e.g., temperature, pressure, flow rate, relative humidity, and so forth) of the air 14, among other things. The control system 64 may use this information to determine how to modulate the lower partial pressure of the water vapor 26A in the water vapor vacuum volumes 112, 114, 116 to increase or decrease the rate of removal of water vapor 26 from the air channels 16 to the water vapor channels 18 through the interfaces 20 of the dehumidification units 100, 102, 104 as H₂O (i.e., as water molecules, gaseous water vapor, liquid water, adsorbed/desorbed water molecules, absorbed/desorbed water molecules, and so forth, through the interfaces 20).

For example, if more water vapor removal is desired, the lower partial pressure of the water vapor 26A in the water vapor vacuum volumes 112, 114, 116 may be reduced and, conversely, if less water vapor removal is desired, the lower partial pressure of the water vapor 26A in the water vapor vacuum volumes 112, 114, 116 may be increased. Furthermore, as described above, the amount of dehumidification (i.e., water vapor removal) may be cycled to improve the efficiency of the dehumidification units 100, 102, 104. More specifically, under certain operating conditions, the dehumidification units 100, 102, 104 may function more efficiently at higher rates of water vapor removal. As such, in certain embodiments, the dehumidification units 100, 102, 104 may be cycled to remove a maximum amount of water vapor from the air 14 for a while, then to remove relatively no water vapor from the air 14 for a while, then to remove a maximum amount of water vapor from the air 14 for a while, and so forth. In other words, the dehumidification units 100, 102, 104 may be operated at full water vapor removal capacity for periods of time alternating with other periods of time where no water vapor is removed. In addition, the control system 64 may be configured to control start-up and shut-down sequencing of the dehumidification units 100, 102, 104.

In addition to the serial arrangement of dehumidification units 12 illustrated in FIG. 8 and the parallel arrangement of dehumidification units 12 illustrated in FIG. 9, multiple dehumidification units 12 may be used in other ways. Indeed, much more complex and expansive arrangements may also be used. For example, FIG. 10 is a schematic diagram of an HVAC system 120 having a first set 122 of dehumidification units 12 (i.e., a first dehumidification unit 124 and a second dehumidification unit 126) arranged in series, and a second set 128 of dehumidification units 12 (i.e., a third dehumidification unit 130 and a fourth dehumidification unit 132) also arranged in series, with the first and second sets 122, 128 of dehumidification units 12 arranged in parallel in accordance with an embodiment of the present disclosure. In other words, the first set 122 of serial first and second dehumidification units 124, 126 are arranged in parallel with the second set 128 of serial third and fourth dehumidification units 130, 132.

Although illustrated as having two sets 122, 128 of serial dehumidification units 12 arranged in parallel, any number of parallel pluralities of dehumidification units 12 may indeed be used in the HVAC system 120. For example, in other embodiments, 3, 4, 5, 6, 7, 8, 9, 10, or even more parallel sets of dehumidification units 12 may be used in the HVAC system 120. Similarly, although illustrated as having two dehumidification units 12 arranged in series within each set 122, 128 of dehumidification units 12, any number of dehumidification units 12 may indeed be used in series within each set 122, 128 of dehumidification units 12 in the HVAC system 120. For example, in other embodiments, 1, 3, 4, 5, 6, 7, 8, 9, 10, or even more dehumidification units 12 may be used in series within each set 122, 128 of dehumidification units 12 in the HVAC system 120.

All of the operating characteristics of the HVAC system 120 of FIG. 10 are similar to those described previously with respect to the HVAC systems 72, 98 of FIGS. 8 and 9 (as well as the HVAC system 10 of FIGS. 1, 6, and 7). For example, as illustrated, each of the dehumidification units 124, 126, 130, 132 may be associated with its own respective vacuum pump 134, 136, 138, 140 (e.g., similar to the vacuum pump 52 of FIGS. 1, 6, and 7). However, in other embodiments, one vacuum pump 52 may be used for each set 122, 128 of dehumidification units 12 with multiple inlet ports connected to the respective water vapor vacuum volumes 142, 144, 146, 148. Indeed, in other embodiments, all of the dehumidification units 124, 126, 130, 132 may be associated with a single vacuum pump 52 with multiple inlet ports connected to all of the water vapor vacuum volumes 142, 144, 146, 148.

In addition, although illustrated as using a single condensation unit 54, reservoir 58, and liquid pump 60 to condense the water vapor 26B into a liquid state, and store and/or transport the liquid water from the HVAC system 120, in other embodiments, each set of dehumidification units 124, 126, 130, 132 and vacuum pumps 134, 136, 138, 140 may be operated independently and be associated with their own respective condensation units 54, reservoirs 58, and liquid pumps 60. In addition, the control system 64 described previously may also be used in the HVAC system 120 of FIG. 10 to control operation of the HVAC system 120 in a similar manner as described previously.

The embodiments described previously with respect to FIGS. 8 through 10 are slightly more complex than the embodiments described previously with respect to FIGS. 1 through 7 inasmuch as multiple dehumidification units 12 are used in series, parallel, or some combination thereof. As such, the control of pressures and temperatures of the HVAC systems 72, 98, 120 of FIGS. 8 through 10 are slightly more complicated than the control of a single dehumidification unit

21

12. For example, the partial pressures in the water vapor vacuum volumes may need to be closely monitored and modulated by the control system 64 to take into account variations in temperature and partial pressure of water vapor in the air 14 within the respective dehumidification units 12, operating pressures of adjacent water vapor vacuum volumes and vacuum pumps (which may be cross-piped together as described previously to facilitate control of pressures, flows, and so forth), among other things. In certain embodiments, variable or fixed orifices may be used to control pressures and changes in pressures in and between the dehumidification units 12. In addition, as described previously, each of the respective vacuum pumps may be controlled to adjust the partial pressures of water vapor in the water vapor vacuum volumes to account for variations between dehumidification units 12.

While the present disclosure may be susceptible to various modifications and alternative forms, specific embodiments have been shown by way of example in the drawings and tables and have been described in detail herein. However, it should be understood that the embodiments are not intended to be limited to the particular forms disclosed. Rather, the disclosure is to cover all modifications, equivalents, and alternatives falling within the spirit and scope of the disclosure as defined by the following appended claims. Further, although individual embodiments are discussed herein, the disclosure is intended to cover all combinations of these embodiments.

The invention claimed is:

1. A dehumidification system for removing water vapor from an airstream, comprising:

a plurality of dehumidification units, each dehumidification unit comprising a first and second channel separated by a membrane, wherein the membrane is configured to facilitate removal of water vapor from an airstream flowing through the first channel by facilitating passage of H₂O from the water vapor to the second channel through permeable volumes of the membrane while substantially blocking all other components of the airstream from passing through the membrane;

at least one pressure increasing device configured to create a lower partial pressure of water vapor within the second channels than in the first channels, such that the H₂O moves through the membranes to the second channels, wherein the at least one pressure increasing device is also configured to increase the pressure of water vapor at an outlet of the at least one pressure increasing device to a partial pressure of water vapor in a range suitable for subsequent condensing into liquid water;

at least one condensation device configured to receive the water vapor from the at least one pressure increasing device and condense the water vapor into liquid water;

at least one water transport device configured to transport the liquid water from the at least one condensation device; and

a controller comprising a microprocessor configured to control start-up and shutdown sequencing of the plurality of dehumidification units.

2. The system of claim 1, wherein the plurality of dehumidification units are arranged in series with each other such that the airstream flows through the first channel of each dehumidification unit in series.

3. The system of claim 1, wherein the plurality of dehumidification units are arranged in parallel with each other such that the airstream flows through the first channel of each dehumidification unit in parallel.

4. The system of claim 1, wherein a first set of the plurality of dehumidification units is arranged in series with each other,

22

a second set of the plurality of dehumidification units is arranged in series with each other, and the first and second set of the plurality of dehumidification units are arranged in parallel with each other.

5. The system of claim 1, wherein each of the plurality of dehumidification units delivers water vapor from the second channel to the same pressure increasing device.

6. The system of claim 1, wherein each of the plurality of dehumidification units delivers water vapor from the second channel to a respective pressure increasing device associated therewith.

7. A system, comprising:

a dehumidification system for removing H₂O vapor from an airstream, comprising:

a plurality of dehumidification units, each comprising an air channel configured to receive an inlet airstream and discharge an outlet airstream, and an H₂O permeable barrier adjacent to the air channel, wherein the H₂O permeable barrier is configured to selectively enable H₂O from H₂O vapor in the inlet airstream to pass through the H₂O permeable barrier to a suction side of the H₂O permeable barrier and substantially block other components in the inlet airstream from passing through the H₂O permeable barrier to the suction side of the H₂O permeable barrier, wherein each of the plurality of dehumidification units delivers H₂O vapor from the suction side of the H₂O permeable barrier to a respective pressure increasing device associated therewith;

at least one pressure increasing device configured to create a lower partial pressure of H₂O vapor on the suction sides of the H₂O permeable barriers than the partial pressure of the H₂O vapor in the inlet airstreams to drive passage of the H₂O from the H₂O vapor in the inlet airstream through the H₂O permeable barrier, and to increase the pressure at an outlet of the at least one pressure increasing device to a partial pressure of H₂O vapor suitable for condensing H₂O vapor into liquid H₂O; and

at least one condensation device configured to receive the H₂O vapor from the outlet of the at least one pressure increasing device, and to condense the H₂O vapor into liquid H₂O.

8. The system of claim 7, wherein the plurality of dehumidification units are arranged in series with each other such that the airstream flows through the air channel of each dehumidification unit in series.

9. The system of claim 7, wherein the plurality of dehumidification units are arranged in parallel with each other such that the airstream flows through the air channel of each dehumidification unit in parallel.

10. The system of claim 7, comprising a liquid pump configured to transport the liquid H₂O from the at least one condensation device.

11. The system of claim 7, wherein the H₂O permeable barriers comprise H₂O permeable membranes.

12. The system of claim 7, wherein the H₂O permeable barriers comprise zeolite.

13. A dehumidification system for removing H₂O vapor from an airstream, comprising:

a plurality of dehumidification units, each comprising an air channel configured to receive an inlet airstream and discharge an outlet airstream, and an H₂O permeable barrier adjacent to the air channel, wherein the H₂O permeable barrier is configured to selectively enable H₂O from H₂O vapor in the inlet airstream to pass through the H₂O permeable barrier to a suction side of

23

the H₂O permeable barrier and substantially block other components in the inlet airstream from passing through the H₂O permeable barrier to the suction side of the H₂O permeable barrier;

at least one pressure increasing device configured to create a lower partial pressure of H₂O vapor on the suction sides of the H₂O permeable barriers than the partial pressure of the H₂O vapor in the inlet airstreams to drive passage of the H₂O from the H₂O vapor in the inlet airstream through the H₂O permeable barrier, and to increase the pressure at an outlet of the at least one pressure increasing device to a partial pressure of H₂O vapor suitable for condensing H₂O vapor into liquid H₂O; and

at least one condensation device configured to receive the H₂O vapor from the outlet of the at least one pressure increasing device, and to condense the H₂O vapor into liquid H₂O, wherein a first set of the plurality of dehumidification units is arranged in series with each other, a second set of the plurality of dehumidification units is arranged in series with each other, and the first and second set of the plurality of dehumidification units are arranged in parallel with each other.

14. A method, comprising:

receiving a plurality of airstreams including H₂O vapor into air channels of a plurality of dehumidification units, wherein the airstreams have a first partial pressure of H₂O vapor;

suctioning H₂O into H₂O vapor channels of the plurality of dehumidification units through H₂O permeable materials of the plurality of dehumidification units using pressure differentials across the H₂O permeable materials, wherein the H₂O vapor channels have a second partial pressure of H₂O vapor lower than the first partial pressure of H₂O vapor of the airstreams;

receiving H₂O vapor from the H₂O vapor channels into a pressure increasing device and increasing the pressure of the H₂O vapor from the pressure increasing device to

24

a third partial pressure of H₂O vapor that is higher than the second partial pressure of H₂O vapor;

receiving the H₂O vapor from the pressure increasing device into a condensation device and condensing the H₂O vapor into liquid H₂O;

transporting the liquid H₂O from the condensation device to ambient conditions, wherein each of the plurality of dehumidification units delivers H₂O vapor from a suction side of the H₂O permeable materials to a respective pressure increasing device associated therewith; and

controlling, via a controller having a microprocessor, start-up and shutdown sequencing of the plurality of dehumidification units.

15. The method of claim **14**, comprising receiving the plurality of airstreams including H₂O vapor into air channels of the plurality of dehumidification units arranged in series with each other such that the airstreams flow through the air channels of each dehumidification unit in series.

16. The method of claim **14**, comprising receiving the plurality of airstreams including H₂O vapor into air channels of the plurality of dehumidification units arranged in parallel with each other such that each of the airstreams flow through the air channel of each dehumidification unit in parallel.

17. The method of claim **14**, comprising receiving the plurality of airstreams including H₂O vapor into air channels of a first set of the plurality of dehumidification units arranged in series with each other, and a second set of the plurality of dehumidification units arranged in series with each other, wherein the first and second set of the plurality of dehumidification units are arranged in parallel with each other.

18. The method of claim **14**, wherein the airstreams have a first partial pressure of H₂O vapor in a range of approximately 0.2-1.0 psia, the second partial pressure of H₂O vapor is in a range of approximately 0.1-1.0 psia, and the third partial pressure of H₂O vapor is in a range of approximately 0.25-1.1 psia.

* * * * *