



(12) **United States Patent**  
**Schubert et al.**

(10) **Patent No.: US 6,499,540 B2**  
(45) **Date of Patent: Dec. 31, 2002**

(54) **METHOD FOR DETECTING A LEAK IN A DRILL STRING VALVE**

6,325,159 B1 12/2001 Peterman et al. .... 175/7

**OTHER PUBLICATIONS**

(75) Inventors: **Jerome J. Schubert**, College Station;  
**Carmon H. Alexander**, Jonesboro;  
**Hans C. Juvkam-Wold**, College Station;  
**Curtis E. Weddle, III**, Magnolia, all of TX (US); **Jonggeun Choe**, Seoul (KR)

Excerpt from WorldOil.com—Online Magazine—Special Focus entitled, “Subsea MudLift Drilling JIP: Achieving dual-gradient technology”, dated Aug. 1999, 8 pages.

J. Choe et al., “Well Control Aspects of Riserless Drilling”, Society of Petroleum Engineers Paper No. SPE 49058 dated Sep. 1998, 12 pages.

(73) Assignees: **Conoco, Inc.**, Houston, TX (US); **The Texas A&M University System**, College Station, TX (US)

H. R. Lima et al., “Pressure Calculations and Kick Detection with Synthetic-Based Muds in a Riserless Drilling Configuration”, Offshore Technology Conference paper No. OTC 10897 dated May 1999, 12 pages.

(\*) Notice: Subject to any disclaimer, the term of this patent is extended or adjusted under 35 U.S.C. 154(b) by 64 days.

H. R. Lima et al., “Computational Hydraulic Analysis of a Deepwater Well Drilled with Synthetic-Based Mud in a Riserless Drilling Configuration”, Society of Petroleum Engineers Paper No. SPE 49057 dated Sep. 1998, 6 pages.

(21) Appl. No.: **09/730,891**

Presentation by Hans C. Juvkam-Wold, Texas A&M University entitled “How Does Riserless Drilling Differ from Drilling with a Conventional Riser?”, dated Nov. 20, 1997, 40 pages.

(22) Filed: **Dec. 6, 2000**

(65) **Prior Publication Data**

US 2002/0066569 A1 Jun. 6, 2002

Presentation by Hans C. Juvkam-Wold and Jonggeun Choe, Texas A&M University entitled “A Comparison Between Riserless Drilling and Conventional Drilling”, dated Jul. 30, 1997, 34 pages.

(51) **Int. Cl.**<sup>7</sup> ..... **E21B 47/10**; E21B 34/04;  
E21B 21/10

\* cited by examiner

(52) **U.S. Cl.** ..... **166/337**; 166/250.08; 73/152.27

*Primary Examiner*—David Bagnell

*Assistant Examiner*—Daniel P Stephenson

(58) **Field of Search** ..... 166/367, 250.08,  
166/250.07, 345, 337; 175/5, 7, 9; 73/152.22,  
152.21, 152.27

(74) *Attorney, Agent, or Firm*—Rosenthal & Osha L.L.P.

(56) **References Cited**

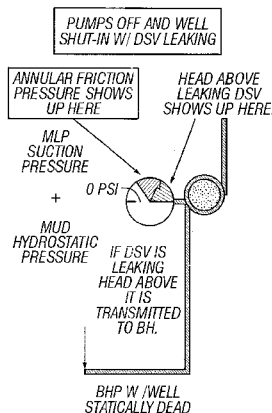
**ABSTRACT**

**U.S. PATENT DOCUMENTS**

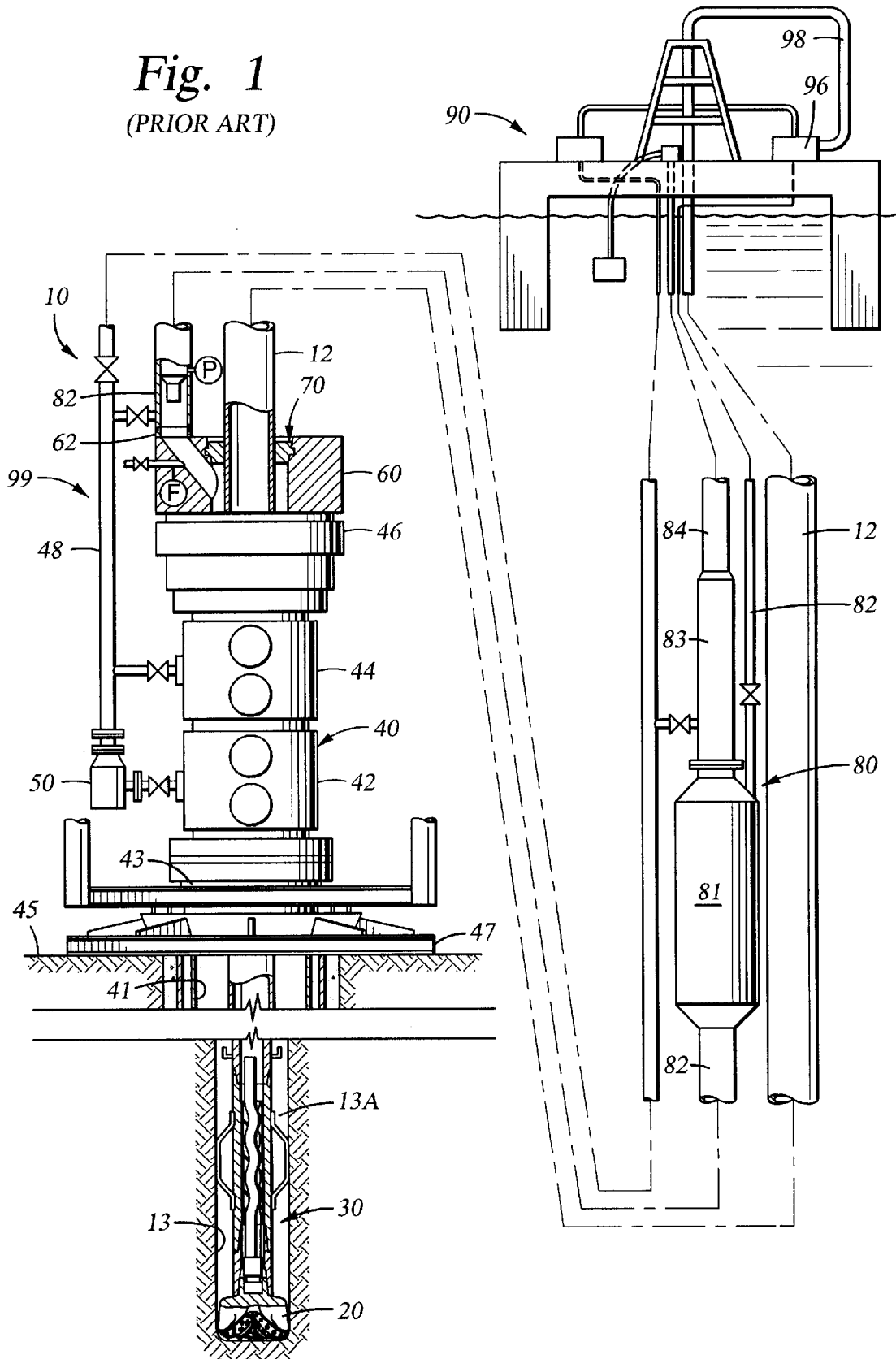
A method for detecting a leak in a drill string valve used when drilling a subsea well. The method comprises measuring a first inlet pressure at a subsea mudlift pump while a subsea mudlift pump and a surface pump are operating and before a well is fully shut-in and measuring a second inlet pressure at the subsea mudlift pump after the mudlift pump and the surface pump are shut down and after the well is fully shut-in. The first and second subsea mudlift pump inlet pressure measurements are then compared, and a check is performed to determine if the subsea mudlift pump inlet pressure has increased by an amount greater than an estimated annular friction pressure.

3,809,170	A	*	5/1974	Ilfrey et al. ....	166/352
3,910,110	A	*	10/1975	Jefferies et al. ....	175/48
3,976,148	A		8/1976	Maus et al. ....	175/7
4,610,161	A	*	9/1986	Gehrig et al. ....	175/48
4,813,495	A		3/1989	Leach .....	175/6
5,063,772	A	*	11/1991	Wellington et al. ....	166/250.08
5,205,165	A	*	4/1993	Jardine et al. ....	166/250.01
6,032,742	A		3/2000	Tomlin et al. ....	166/345
6,102,673	A		8/2000	Mott et al. ....	417/392
6,189,612	B1	*	2/2001	Ward .....	166/250.07
6,216,799	B1		4/2001	Gonzalez .....	175/5
6,263,981	B1	*	7/2001	Gonzalez .....	166/367
6,276,455	B1		8/2001	Gonzalez .....	166/357

**22 Claims, 3 Drawing Sheets**



**Fig. 1**  
(PRIOR ART)



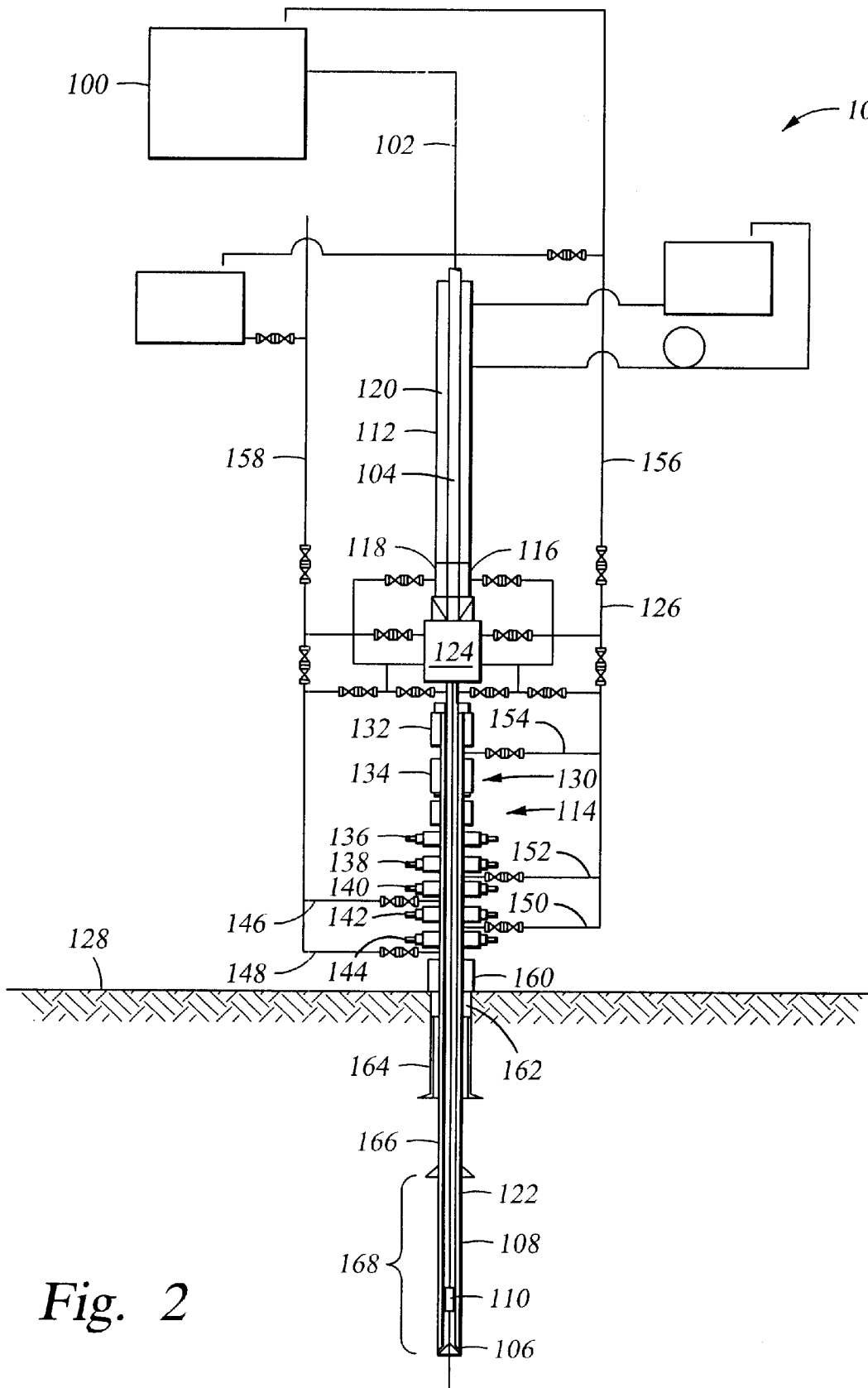


Fig. 2

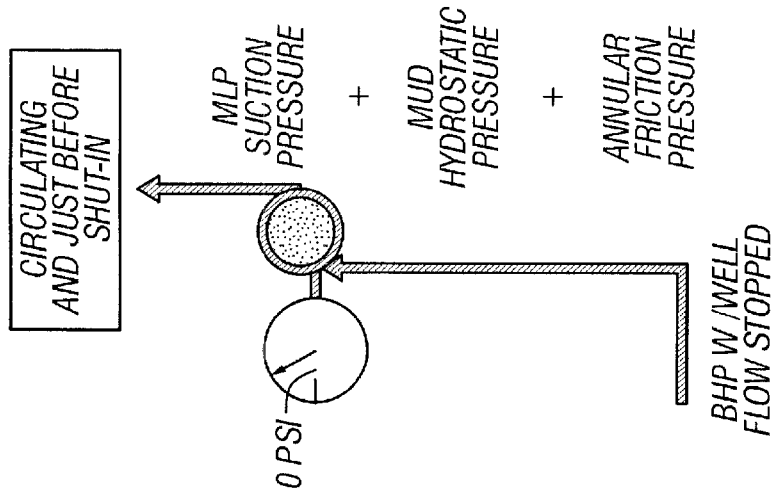


FIG. 3

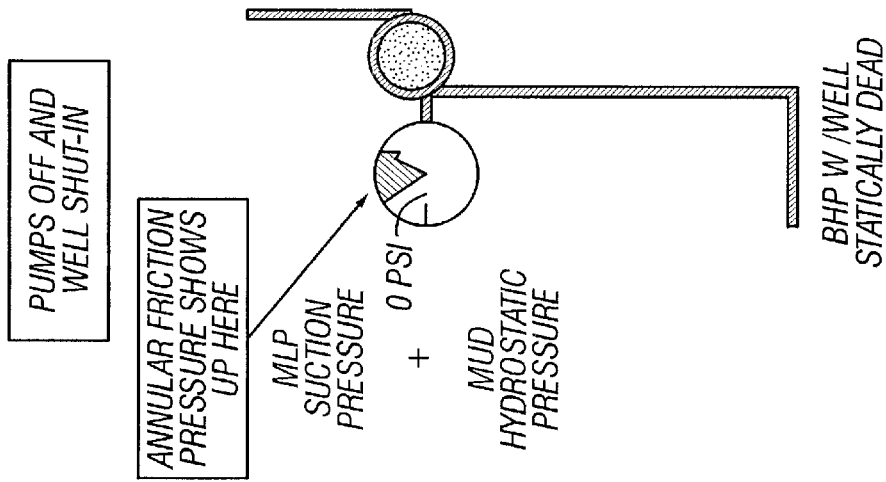


FIG. 4

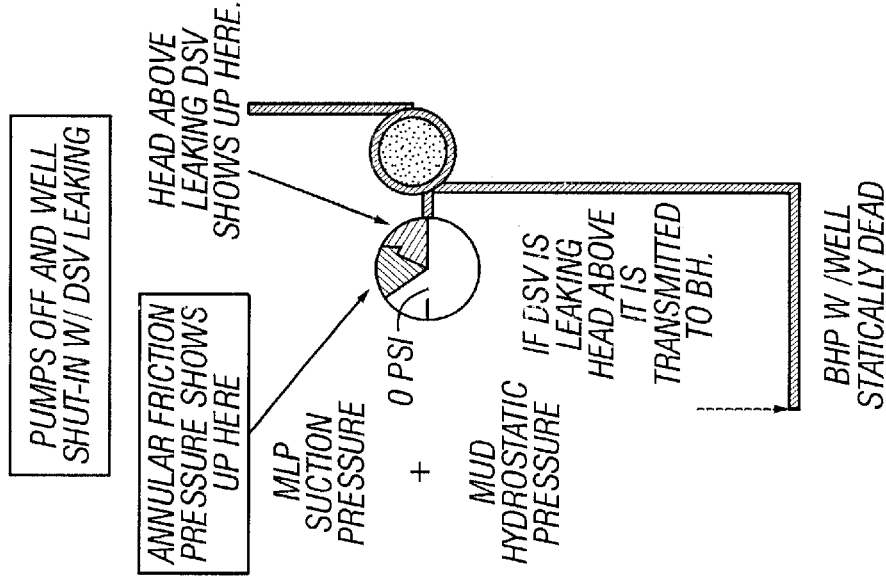


FIG. 5

## METHOD FOR DETECTING A LEAK IN A DRILL STRING VALVE

### BACKGROUND OF THE INVENTION

#### 1. Technical Field

The invention relates generally to methods and procedures for maintaining well control during drilling operations. More specifically, the invention relates to methods and procedures where “riserless” drilling systems are used.

#### 2. Background Art

Exploration companies are continually searching for methods to make deep water drilling commercially viable and more efficient. Conventional drilling techniques are not feasible in water depths of over several thousand feet. Deep water drilling produces unique challenges for drilling aspects such as well pressure control and wellbore stability.

#### Deep Water Drilling

Deep water drilling techniques have, in the past, typically relied on the use of a large diameter marine riser to connect drilling equipment on a floating vessel or a drilling platform to a blowout preventer stack on a subsea wellhead disposed on the seafloor. The primary functions of the marine riser are to guide a drill string and other tools from the floating vessel to the subsea wellhead and to conduct drilling mud and earth cuttings from a subsea well back to the floating vessel. In deeper waters, conventional marine riser technology encounters severe difficulties. For example, if a deep water marine riser is filled with drilling mud, the drilling mud in the riser may account for a majority of the drilling mud in the circulation system. As water depth increases, the drilling mud volume increases. The large volume of drilling mud requires an excessively large circulation system and drilling vessel. Moreover, an extended length riser may experience high loads from ocean currents and waves. The energy from the currents and waves may be transmitted to the drilling vessel and may damage both the riser and the vessel.

In order to overcome problems associated with deep water drilling, a technique known as “riserless” drilling has been developed. Not all riserless techniques operate without a marine riser. The marine riser may still be used for the purpose of guiding the drill string to the wellbore and for protecting the drill string and other lines that run to and from the wellbore. When marine risers are used, however, they typically are filled with seawater rather than drilling mud. The seawater has a density that may be substantially less than that of the drilling mud, substantially reducing the hydrostatic pressure in the drilling system.

An example of a riserless drilling system is shown in U.S. Pat. No. 4,813,495 issued to Leach and assigned to the assignee of the present invention. A riserless drilling system **10** of the '495 patent is shown in FIG. 1 and comprises a drill string **12** including drill bit **20** and positive displacement mud motor **30**. The drill string **12** is used to drill a wellbore **13**. The system **10** also includes blowout preventer stack **40**, upper stack package **60**, mud return system **80**, and drilling platform **90**. As drilling is initiated, drilling mud is pumped down through the drill string **12** through drilling mud line **98** by a pump which forms a portion of mud processing unit **96**.

The drilling mud flow operates mud motor **30** and is forced through the bit **20**. The drilling mud is forced up a wellbore annulus **13A** and is then pumped to the surface through mud return system **80**, mud return line **82**, and subsea mudlift pump **81**. This process differs from conventional drilling operations because the drilling mud is not forced upward to the surface through a marine riser annulus.

The blowout preventer stack **40** includes first and second pairs of ram preventers **42** and **44** and annular blowout preventer **46**. The blowout preventers (“BOP”s) may be used to seal the wellbore **13** and prevent drilling mud from travelling up the annulus **13A**. The ram preventers **42** and **44** include pairs of rams (not shown) that may seal around or shear the drill string **12** in order to seal the wellbore **13**. The annular preventer **46** includes an annular elastomeric member that may be activated to sealingly engage the drill string **12** and seal the wellbore **13**. The blowout preventer stack **40** also includes a choke/kill line **48** with an adjustable choke **50**. The choke/kill line **48** provides a flow path for drilling mud and formation fluids to return to the drilling platform **90** when one or more of the BOPs (**42**, **44**, and **46**) have been closed.

The upper end of the BOP stack **40** may be connected to the upper stack package **60** as shown in FIG. 1. The upper stack package **60** may be a separate unit that is attached to the blowout preventer stack **40**, or it may be the uppermost element of the blowout preventer stack **40**. The upper stack package **60** includes a connecting point **62** to which mud return line **82** is connected. The upper stack package **60** may also include a rotating head **70**. The rotating head **70** may be a subsea rotating diverter (“SRD”) that has an internal opening permitting passage of the drill string **12** through the SRD. The SRD forms a seal around the drill string **12** so that the drilling mud filled annulus **13A** of the wellbore **13** is hydraulically separated from the seawater. The rotating head **70** typically includes both stationary elements that attach to the upper stack package **40** and rotating elements that sealingly engage and rotate with the drill string **12**. There may be some slippage between rotating elements of the rotating head **70** and the drill string **12**, but the hydraulic seal is maintained. During drill pipe “trips” to change the bit **20**, the rotating head **70** is typically tripped into the hole on the drill string **12** before fixedly and sealingly engaging the upper stack package **60** that is connected to the BOP stack **40**.

The lower end of the BOP stack **40** may be connected to a casing string **41** that is connected to other elements (such as casing head flange **43** and template **47**) that form part of a subsea wellhead assembly **99**. The subsea wellhead assembly **99** is typically attached to conductor casing that may be cemented in the first portion of the wellbore **13** that is drilled in the seafloor **45**. Other portions of the wellbore **13**, including additional casing strings, well liners, and open hole sections extend below the conductor casing.

The mud return system **80** includes the subsea mudlift pump **81** that is positioned in the mud return line **82** adjacent to the upper stack package **60**. The subsea mudlift pump **81** in the '495 patent is shown as a centrifugal pump that is powered by a seawater driven turbine **83** that is, in turn, driven by a seawater transmitting powerfluid line **84**. The mud return system **80** boosts the flow of drilling mud from

the seafloor **45** to the drilling mud processing unit **96** located on the drilling platform **90**. Drilling mud is then cleaned of cuttings and debris and recirculated through the drill string **12** through drilling mud line **98**.

#### Subsea Well Control

When drilling a well, particularly an oil or gas well, there exists the danger of drilling into a formation that contains fluids at pressures that are greater than the hydrostatic fluid pressure in the wellbore. When this occurs, the higher pressure formation fluids flow into the well and increase the fluid volume and fluid pressure in the wellbore. The influx of formation fluids may displace the drilling mud and cause the drilling mud to flow up the wellbore toward the surface. The formation fluid influx and the flow of drilling and formation fluids toward the surface is known as a "kick." If the kick is not subsequently controlled, the result may be a "blowout" in which the influx of formation fluids (which, for example, may be in the form of gas bubbles that expand near the surface because of the reduced hydrostatic pressure) blows the drill string out of the well or otherwise destroys a drilling apparatus. An important consideration in deep water drilling is controlling the influx of formation fluid from subsurface formations into the well to control kicks and prevent blowouts from occurring.

Drilling operations typically involve maintaining the hydrostatic pressure of the drilling mud column above the formation fluid pressure. This is typically done by selecting a specific drilling mud density and is typically referred to as "overbalanced" drilling. At the same time, however, the bottom hole pressure of the drilling mud column must be maintained below the formation fracture pressure. If the bottom hole pressure exceeds the formation fracture pressure, the formation may be damaged or destroyed and the well may collapse around the drill string.

A different type of drilling regime, known as "underbalanced" drilling, may be used to optimize the rate of penetration ("ROP") and the efficiency of a drilling assembly. In underbalanced drilling, the hydrostatic pressure of the drilling mud column is typically maintained lower than the fluid pressure in the formation. Underbalanced drilling encourages the flow of formation fluids into the wellbore. As a result, underbalanced drilling operations must be closely monitored because formation fluids are more likely to enter the wellbore and induce a kick.

Once a kick is detected, the kick is typically controlled by "shutting in" the wellbore and "circulating out" the formation fluids that entered the wellbore. Referring again to FIG. **1**, a well is typically shut in by closing one or more BOPs (**42**, **44**, and/or **46**). The fluid influx is then circulated out through the adjustable choke **50** and the choke/kill line **48**. The choke **50** is adjustable and may control the fluid pressure in the well by allowing a buildup of back pressure (caused by pumping drilling mud from the mud processing unit **96**) so that the kick may be circulated through the drilling mud processing unit **96** in a controlled process. The drilling mud processing unit **96** has elements that may remove any formation fluids, including both liquids and gases, from the drilling mud. The drilling mud processing unit **96** then recirculates the "cleaned" drilling mud back through the drill string **12**. Typically, as the kick is circulated

out, the drilling mud that is being pumped back into the wellbore **13** through drill string **12** has an increased density of a preselected value. The resulting increased hydrostatic pressure of the drilling mud column may equal or exceed the formation pressure at the site of the kick so that further kicks are prevented. This process is referred to as "killing the well." The kick is circulated out of the wellbore and the drilling mud density is increased in substantially one complete circulation cycle (for example, by the time the last remnants of the drilling mud with the pre-kick mud density have been circulated out of the well, mud with the post-kick mud density has been circulated in as a substitute). When the wellbore is stabilized, drilling operations may be resumed or the drill string **12** may be tripped out of the wellbore **13**. This method of controlling a kick is typically referred to as the "Wait and Weight" method. The Wait and Weight Method has historically been the preferred method of circulating out a kick because it generally exerts less pressure on the wellbore **13** and the formation and requires less circulating time to remove the influx from the drilling mud.

Another method for controlling a kick is typically referred to as the "Driller's Method." Generally, the Driller's Method is accomplished in two steps. First, the kick is circulated out of the wellbore **13** while maintaining the drilling mud at an original mud weight. This process typically takes one complete circulation of the drilling mud in the wellbore **13**. Second, drilling mud with a higher mud weight is then pumped into the wellbore **13** to overcome the higher formation pressure that produced the kick. Therefore, the Driller's Method may be referred to as a "two circulation kill" because it typically requires at least two complete circulation cycles of the drilling mud in the wellbore **13** to complete the process.

A device known as a drill string valve ("DSV") may be used as a component of either of the previously referenced well control methods. A DSV is typically located near a bottom hole assembly and includes a spring activated mechanism that is sensitive to the pressure inside the drill string. When drill string pressure is lowered below a preselected level, the spring activates a flow cone that moves to block flow ports in a flow tube. In order for drilling mud to flow through the drill string, the flow ports must be at least partially open. Thus, the DSV permits flow through the drill string if sufficient surface pump pressure is applied to the drilling fluid column, and the DSV typically only permits flow in one direction so that it acts as a check valve against mud flowing back toward the surface.

The spring pressure in the DSV may be adjusted to account for factors such as the depth of the wellbore, the hydrostatic pressure exerted by the drilling mud column, the hydrostatic pressure exerted by the seawater from a drilling mud line to the surface, and the diameter of drill pipe in the drill string. The drilling mud line may be defined as a location in a well where a transition from seawater to drilling mud occurs. For example, in the system **10** shown in FIG. **1**, the drilling mud line is defined by the hydraulic seal of the rotating head **70** that separates the drilling mud of the wellbore annulus **13A** from seawater. The DSV may be used to stop drilling mud from experiencing "free-fall" when the mud circulation pumps are shut down and the well is shut-in.

Using the system of the Leach '495 patent as an example, when the pumps of the mud processing unit **96** are shut

down and no DSV is present in the drill string **12**, the mud column hydrostatic pressure in the drill string **12** is greater than the sum of the hydrostatic pressure of the drilling mud in the wellbore annulus **13A** and a suction pressure generated by the subsea mudlift pump **81**. Drilling mud, therefore, free-falls in the drill string into the wellbore annulus **13A** until the hydrostatic pressure of the mud column in the drill string **12** is equalized with the sum of the hydrostatic pressure of the drilling mud in the wellbore annulus **13A** and the mudlift pump **81** suction pressure. Thus, the well continues to flow while equilibrium is established. The continued flow of drilling mud in the well after pump shut-down may typically be referred to as an “unbalanced U-tube” effect. The DSV, which should be in a closed position after the pumps are shut-down, may prevent the free-fall of drilling mud in the wellbore that may be attributable to the unbalanced U-tube.

In contrast, in conventional drilling systems where drilling mud is returned to the surface through the wellbore annulus, the drilling mud circulation system forms a “balanced U-tube” because there is no flow of drilling mud in the well after the surface pumps are shut down. The well does not flow because the hydrostatic pressure of the drilling mud in the drill string is balanced with the hydrostatic pressure of the mud in the wellbore annulus.

Well control procedures may be complicated by a leaking DSV. For example, the spring in the DSV must be adjusted correctly so that it will activate the flow cone and block the flow ports when pressure is removed from the mud column such as by shutting down the surface mud pumps. If the flow ports remain at least partially open, the well will continue to flow after all the pumps have been shut down and/or after the well has been fully shut-in. Further, the DSV may develop leaks from flow erosion, corrosion, or other factors.

Typically, there are two conditions where the DSV may be checked for leaks. The first condition is during normal drilling operations when, for example, circulation of drilling mud is stopped so that a drill pipe connection may be made (all pumps must be shut off for the DSV check). In this case, an effort is made to distinguish between a leaking DSV and a possible kick. The second condition occurs after the well has been fully shut-in on a kick (again, all pumps must be shut off for the DSV check). In this case, an effort is made to distinguish between a leaking DSV and additional flow that may have entered the well from the known kick. In both cases it is important to check the DSV for leaks because otherwise it may be difficult to determine if additional flow in the well is due to a leaking or partially open DSV or to additional flow that has entered the well from a kick.

Reliable methods are needed to quickly and efficiently control and eliminate kicks that are experienced when drilling wells. The methods must account for the special configurations of deepwater drilling systems and must function both with and without the use of a DSV. The methods must also be designed to determine the difference between a leaking DSV and a kick that may have occurred during drilling operations, and also between a leaking DSV and additional flow that may occur after a kick is shut-in. In either case, the kicks come from formations with pore pressures that exceed the fluid pressure in the wellbore. Finally, the methods should result in a hydrostatically

“dead” well so that the drill string may be removed from the wellbore or so that drilling operations may resume.

#### SUMMARY OF THE INVENTION

One aspect of the invention is a method for detecting a leak in a drill string valve used when drilling a subsea well. The method comprises measuring a first inlet pressure at a subsea mudlift pump while the subsea mudlift pump and a surface pump are operating and before a well is fully shut-in. A second inlet pressure at the subsea mudlift pump is measured after the mudlift pump and the surface pump are shut down and after the well is fully shut-in. The first and second subsea mudlift pump inlet pressure measurements are then compared to determine if the subsea mudlift pump inlet pressure has increased by an amount greater than an estimated annular friction pressure.

In another aspect, the invention is a method of compensating for a leaking drill string valve. The method comprises measuring a first inlet pressure at a subsea mudlift pump while the subsea mudlift pump and a surface pump are operating and before a well is fully shut-in. A second inlet pressure at the subsea mudlift pump is measured after the mudlift pump and the surface pump are shut down and after the well is fully shut-in. The first and second subsea mudlift pump inlet pressure measurements are then compared to determine if the subsea mudlift pump inlet pressure has increased by an amount greater than an estimated annular friction pressure. If the subsea mudlift pump inlet pressure has increased by an amount greater than the annular friction pressure, the leak is compensated for by decreasing a bottom hole pressure by an amount at least equal to a part of the increase in pressure caused by the leaking drill string valve.

Other aspects and advantages of the invention will be apparent from the following description and the appended claims.

#### BRIEF DESCRIPTION OF THE DRAWINGS

FIG. 1 shows a schematic view of a prior art riserless drilling system.

FIG. 2 shows an example of a typical system used in an embodiment of the invention.

FIG. 3 shows a diagram of a mud lift pump inlet pressure measurement of an embodiment of the invention when pumps are still circulating drilling mud and before a well has been fully shut-in.

FIG. 4 shows a diagram of a mud lift pump inlet pressure measurement of an embodiment of the invention when pumps have been shut off and a well has been fully shut-in.

FIG. 5 shows a diagram of a mud lift pump inlet pressure measurement of an embodiment of the invention when pumps have been shut off, a well has been fully shut-in, and a drill string valve is leaking.

#### DETAILED DESCRIPTION

In an embodiment of the invention, a full shut-in of the well follows a dynamic shut-in procedure disclosed in co-pending U.S. application Ser. No. 09/731295, titled “Dynamic Shut-In of a Subsea Mudlift Drilling System,” filed on even date herewith, assigned to the assignee of the present invention, and incorporated by reference herein.

FIG. 2 shows an example of a typical drilling system **101** used in an embodiment of the invention. The drilling system **101** presented in the example is provided for illustration of the methods used in the present invention and is not intended to limit the scope of the invention. The methods of the invention may function in arrangements that differ from the drilling system **101** shown in FIG. 2.

The drilling system **101** has a surface drilling mud circulation system **100** that includes a drilling mud storage tank (not shown separately) and surface mud pumps (not shown separately). The surface drilling mud circulation system **100** and other surface components of the drilling system **101** are located on a drilling platform (not shown) or a floating drilling vessel (not shown). The surface drilling mud circulation system **100** pumps drilling mud through a surface pipe **102** into a drill string **104**. The drill string **104** may include drill pipe (not shown), drill collars (not shown), a bottom hole assembly (not shown), and a drill bit **106** and extends from the surface to the bottom of a well **108**. The drill string **104** may also include a drill string valve **110**.

The drilling system **101** may include a marine riser **112** that extends from the surface to a subsea wellhead assembly **114**. The marine riser **112** forms an annular chamber **120** that is typically filled with seawater. A lower end of the marine riser **112** may be connected to a subsea accumulator chamber ("SAC") **116**. The SAC **116** may be connected to a subsea rotating diverter **118**. The SRD **118** functions to rotatably and sealingly engage the drill string **104** and separates drilling mud in a wellbore annulus **122** from seawater in an annular chamber **120** of the marine riser **112**.

A discharge port of the SRD **118** may be connected to an inlet of a subsea mudlift pump ("MLP") **124**. An outlet of the MLP **124** is connected to a mud return line **126** that returns drilling mud from the wellbore annulus **122** to the surface drilling mud circulation system **100**. The MLP **124** typically operates in an automatic rate control mode so that an inlet pressure of the MLP **124** is maintained at a constant level. Typically, the MLP **124** inlet pressure is maintained at a level equal to the seawater hydrostatic pressure at the depth of the MLP **124** inlet plus a differential pressure that may be, for example, 50 psi. However, the MLP **124** pumping rate may be adjusted so that back pressure may be generated in the wellbore annulus **122**. The MLP **124** may be a centrifugal pump, a triplex pump, or any other type of pump known in the art that may function to pump drilling mud from the seafloor **128** to the surface. Moreover, the MLP **124** may be powered by any means known in the art. For example, the MLP **124** may be powered by a seawater powered turbine or by seawater pumped under pressure from an auxiliary pump.

The inlet of the MLP **124** may be connected to a top of a blowout preventer stack **130**. The BOP stack **130** may be of any design known in the art and may contain several different types of BOP. As an example, the BOP stack **130** shown in FIG. 2 includes an upper annular BOP **132**, a lower annular BOP **134**, an upper casing shear ram preventer **136**, a shear ram preventer **138**, and upper, middle, and lower pipe ram preventers **140**, **142**, and **144**. The BOP stack **130** may have a different number of preventers if desired, and the number, type, size, and arrangement of the blowout preventers is not intended to limit the scope of the invention.

The BOP stack **130** also includes isolation lines such as lines **146**, **148**, **150**, **152**, and **154** that permit drilling mud to

be circulated through choke/kill lines **156** and **158** after any of the BOPs have been closed. The isolation lines (**146**, **148**, **150**, **152**, and **154**) and choke/kill lines (**156** and **158**) may be selectively opened or closed. The isolation lines (**146**, **148**, **150**, **152**, and **154**) and the choke/kill lines (**156** and **158**) are important to the function of the invention because drilling mud must be able to flow in a controlled manner from the surface, through the well, and back after the BOPs are closed.

A lower end of the BOP stack **130** may be connected to a wellhead connector **160** that may be attached to a wellhead housing **162** positioned near the seafloor **128**. The wellhead housing **162** may typically be connected to conductor pipe (also referred to as conductor casing) **164** that is cemented in place in the well **108** near the seafloor **128**. Additional casing strings, such as casing string **166**, may be cemented in the well **108** below the conductor pipe **164**. Furthermore, additional casing (not shown) and liners (not shown) may be used in the well **108** as required.

When drilling a wellbore **168**, kicks may be encountered when formation fluid pressure is greater than a hydrostatic pressure in the wellbore **168**. When a kick is detected, the aforementioned dynamic shut-in process is initiated and completed so that a kick intensity may be determined. The kick intensity may be defined as, for example, a volume of formation fluid that enters the wellbore **168** or as an excess of formation fluid (or "pore") pressure above the hydrostatic pressure in the wellbore **168**. However, the determination of the kick intensity may be complicated by the presence of a DSV **110** in the drill string **104**. For example, a spring in the DSV **110** must be adjusted correctly so that it will activate the flow cone and block the flow ports when pump pressure is removed from the mud column in the drill string **104** such as by stopping the surface pump. If the flow ports remain at least partially open, the well will continue to flow after the all of the pumps have been shut down and the well **108** has been fully shut-in. The DSV **110** may develop leaks from flow erosion or corrosion, among other reasons. Therefore, it may be difficult to determine if flow in the well experienced after all of the pumps are shut down, and the well is fully shut-in, is due to a leaking or partially open DSV **110**, or is due to additional influx that has entered the well **108**. Continued flow may also make it difficult or impossible to calculate the volume of the kick or the drilling mud density required to effectively counteract the elevated formation pressure. Therefore, knowledge of whether the DSV **110** is leaking is important to well control procedures taken after the well **108** is fully shut-in.

A hydrostatic pressure exerted by the drilling mud in the annulus **122**, in addition to annular friction pressure generated by the surface pump and an inlet pressure maintained by the MLP **124**, contribute to a bottom hole pressure ("BHP") that opposes the formation fluid (pore) pressures encountered near a bottom of the well **108**. Different drilling environments involve both overbalanced and underbalanced drilling operations, but kicks in both situations result from formation fluid pressures that are higher than the BHP exerted by the fluid column. As previously described, the MLP **124** inlet pressure is typically maintained at a level equal to the seawater hydrostatic pressure at the depth of the MLP **124** inlet plus a differential pressure that may be, for



example, 50 psi. Simultaneously, the MLP 124 maintains an outlet pressure sufficient to pump drilling mud from the seafloor 128 to the surface. A drill pipe pressure is maintained by the surface drilling mud pump to circulate drilling mud through the drill string 104, through the drill bit 106, and into the wellbore annulus 122. The MLP 124 inlet pressure may be electronically monitored from the surface through a gauge (not shown) located in or near the inlet of the subsea MLP 124. The MLP 124 inlet pressure may help determine if the DSV 110 is leaking.

When checking for a leak in the DSV 110, the MLP 124 inlet pressure is recorded both before and after the well 108 is fully shut-in following the dynamic shut-in procedure. Before the well 108 is fully shut-in, a first MLP 124 inlet (also called "suction") pressure will appear as shown in FIG. 3. FIG. 3 shows that the BHP includes three separate components: a MLP (124 in FIG. 2) suction pressure, the drilling mud hydrostatic pressure, and an annular friction pressure ("AFP"). The drilling mud hydrostatic pressure is generated by the force exerted by the drilling mud column in the annulus (122 in FIG. 2). The MLP (124 in FIG. 2) suction pressure is generated by the subsea MLP (124 in FIG. 2) and, as mentioned previously, this suction pressure, while circulating in a pre-kick mode, may typically be equal to the seawater hydrostatic pressure plus a margin of approximately 50 psi. However, the MLP (124 in FIG. 2) suction pressure is typically adjustable and is not limited to a specific value. Under the conditions described by FIG. 3, the MLP (124 in FIG. 2) suction pressure includes, in addition to the seawater hydrostatic pressure plus the selected differential which may be about 50 psi, the back-pressure that had to be imposed at the MLP (124 in FIG. 2) suction during the dynamic shut-in procedure to stop the well flow. The AFP is a pressure loss experienced because of the friction between the drilling mud and annular surfaces (the outer walls of the drill string (104 in FIG. 2) and inner walls of the wellbore (168 in FIG. 2)). As the drilling mud is pumped from the bottom of the well (108 in FIG. 2) by the surface pump, the annular friction loss reduces total pressure at the top of the annulus (122 in FIG. 2) and stores it as a source of potential energy in the system.

A second MLP (124 in FIG. 2) inlet pressure is recorded after the surface pump and the MLP (124 in FIG. 2) are all shut off and the well (108 in FIG. 2) is fully shut-in. The BHP (by intent unchanged) now includes only the MLP (124 in FIG. 2) suction pressure (which has increased by the amount of the actual AFP) and the drilling mud hydrostatic pressure, as shown in FIG. 4. The AFP loss is now evident in the gauge reading at the MLP (124 in FIG. 2) inlet because, as the flow of the drilling mud is stopped, the friction induced by the mud flow no longer exists and the friction loss and potential energy are returned to the system. The AFP is typically estimated by methods known in the art for a given drilling arrangement. For example, factors that may be considered in estimating the AFP include a drilling mud flow rate, a depth of the well (108 in FIG. 2), a drilling mud viscosity, a bottom hole assembly configuration, and a wellbore (168 in FIG. 2) configuration. However, other factors may be accounted for and the factors just described are not intended to limit the scope of the invention. Therefore, when the pumps are shut off and the well is fully

shut-in, an estimated AFP may be compared with the increase in the MLP (124 in FIG. 2) inlet pressure gauge reading.

A comparison of the MLP (124 in FIG. 2) inlet pressures may be made to determine if the DSV (110 in FIG. 2) is leaking. If a leak exists, the second MLP (124 in FIG. 2) inlet pressure reading may be increased by an amount equal to some part of the hydrostatic pressure (or "head") that is present in the drill string (104 in FIG. 2) above the DSV (110 in FIG. 2), as shown in FIG. 5. The drill pipe hydrostatic pressure that could cause this increase may be equal to a system unbalance pressure because of the presence of an unbalanced U-tube formed by the drilling system. For example, the DSV (110 in FIG. 2) keeps drilling mud from free-falling in the unbalanced U-tube. Thus, the excess hydrostatic pressure in the drill pipe above the DSV (110 in FIG. 2) may be equal to the unbalance pressure of the drilling mud that is not in equilibrium with the rest of the system. Therefore, if the DSV (110 in FIG. 2) is leaking, the second MLP (124 in FIG. 2) inlet pressure may be increased significantly above the sum of the first MLP (124 in FIG. 2) inlet pressure and the estimated AFP.

If the DSV (110 in FIG. 2) is leaking, steps must be taken to control the well because the full unbalance pressure of the U-tube may ultimately be imposed on the well (108 in FIG. 2) in addition to the kick intensity. This may serve to increase the bottom hole pressure to a level that may damage the formation and make well control difficult. In order to account for the leaking DSV (110 in FIG. 2), the shut-in procedure may be adjusted by, for example, restarting the MLP (124 in FIG. 2) to relieve some of the additional bottom hole pressure imposed on the well (108 in FIG. 2). Moreover, other well control procedures may be taken to mitigate the effect of the leaking DSV (110 in FIG. 2) (e.g., full circulation of the well (108 in FIG. 2) can be resumed to begin killing the kick, thereby eliminating the effect of the leaking DSV (110 in FIG. 2)).

Those skilled in the art will appreciate that other embodiments of the invention can be devised which do not depart from the spirit of the invention as disclosed herein. Accordingly, the scope of the invention should be limited only by the attached claims.

What is claimed is:

1. A method for detecting a leak in a drill string valve, the method comprising:
  - measuring a first inlet pressure at a subsea mudlift pump while the subsea mudlift pump and a surface pump are operating, and before a well is fully shut-in;
  - measuring a second inlet pressure at the subsea mudlift pump after the subsea mudlift pump and the surface pump are shut down, and after the well is fully shut-in;
  - comparing the first and second subsea mudlift pump inlet pressure measurements; and
  - determining if the subsea mudlift pump inlet pressure has increased by an amount greater than an annular friction pressure.
2. The method of claim 1, wherein the annular friction pressure is estimated from parameters of a well drilling system.
3. The method of claim 2, wherein the drilling system parameters comprise drilling mud flow rate.

11

- 4. The method of claim 2, wherein the drilling system parameters comprise well depth.
- 5. The method of claim 2, wherein the drilling system parameters comprise drilling mud viscosity.
- 6. The method of claim 2, wherein the drilling system parameters comprise a bottom hole assembly configuration.
- 7. The method of claim 2, wherein the drilling system parameters comprise a wellbore configuration.
- 8. The method of claim 1, wherein an amount of the pressure increase in excess of the annular friction pressure at the subsea mudlift pump inlet is equal to at least part of an excess hydrostatic pressure in a drill string above the drill string valve.
- 9. The method of claim 1, wherein the drill string valve is located proximate a bottom of the well.
- 10. The method of claim 1, wherein the drill string valve is located in a drill string above a bottom hole assembly.
- 11. The method of claim 1, wherein the well is fully shut-in after measuring a kick intensity with a dynamic shut-in procedure.
- 12. A method for compensating for a leak in a drill string valve, the method comprising:
  - measuring a first inlet pressure at a subsea mudlift pump while the subsea mudlift pump and a surface pump are operating, and before a well is fully shut-in;
  - measuring a second inlet pressure at the subsea mudlift pump after the subsea mudlift pump and the surface pump are shut down, and after the well is fully shut-in;
  - comparing the first and second subsea mudlift pump inlet pressure measurements;
  - determining if the subsea mudlift pump inlet pressure has increased by an amount greater than an annular friction pressure; and

12

- compensating for the leak by decreasing a bottom hole pressure by an amount at least equal to part of an increase in pressure caused by the leaking drill string valve.
- 13. The method of claim 12, wherein the annular friction pressure is estimated from parameters of a well drilling system.
- 14. The method of claim 13, wherein the drilling system parameters comprise drilling mud flow rate.
- 15. The method of claim 13, wherein the drilling system parameters comprise well depth.
- 16. The method of claim 13, wherein the drilling system parameters comprise drilling mud viscosity.
- 17. The method of claim 13, wherein the drilling system parameters comprise a bottom hole assembly configuration.
- 18. The method of claim 13, wherein the drilling system parameters comprise a wellbore configuration.
- 19. The method of claim 12, wherein the compensating comprises restarting the subsea mudlift pump.
- 20. The method of claim 12, wherein the compensating comprises resuming full circulation of the well to begin killing a kick.
- 21. The method of claim 12, wherein the bottom hole pressure is decreased to a selected level below a formation fracture pressure.
- 22. The method of claim 12, wherein the well is shut-in fully after measuring a kick intensity with a dynamic shut-in procedure.

\* \* \* \* \*