



US00D389252S

# United States Patent [19]

[11] Patent Number: **Des. 389,252**

Alberson et al.

[45] Date of Patent: **\*\*Jan. 13, 1998**

[54] **TRAFFIC SIGN POST SLIP SPLICE CONNECTION BASE PIECE**

5,359,826	11/1994	Grearson .....	52/650.1
5,402,614	4/1995	Jewell .....	52/169.9
5,479,733	1/1996	Kusina .....	50/155
5,480,121	1/1996	Rice et al. ....	248/548
5,484,217	1/1996	Carroll et al. ....	403/2

[75] Inventors: **Dean C. Alberson; D. Lance Bullard, Jr.**, both of Bryan, Tex.

[73] Assignee: **The Texas A&M University System**, College Station, Tex.

### OTHER PUBLICATIONS

Film Entitled "Safe Roadside Signs and Crash Test #220500 Slip Base Sign Support" Dated More than 1 yr. Before Filing Date of Present Application.

[\*\*] Term: **14 Years**

*Primary Examiner*—Doris Clark  
*Attorney, Agent, or Firm*—Conley, Rose & Tayon, P.C.; Shawn Hunter

[21] Appl. No.: **55,137**

[22] Filed: **May 30, 1996**

[51] **LOC (6) Cl.** ..... **25-01**

[52] **U.S. Cl.** ..... **D25/133**

[58] **Field of Search** ..... D25/126, 133, D25/134, 127; 248/507-508; 52/153, 155, 166, 169.9

### [57] CLAIM

The ornamental design for a traffic sign post slip splice connection base piece, as shown and described.

### DESCRIPTION

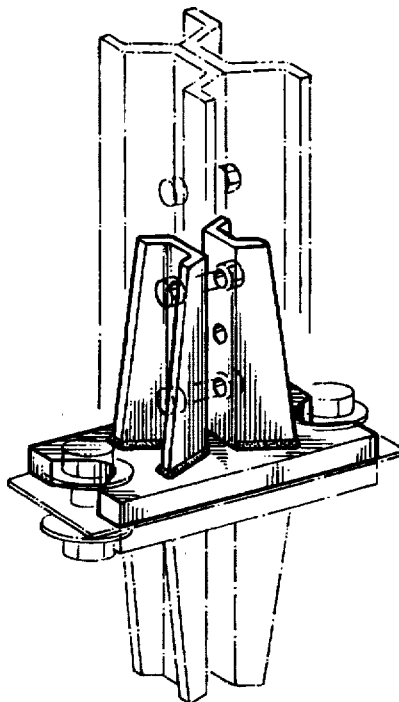
### [56] References Cited

#### U.S. PATENT DOCUMENTS

D. 297,370	8/1988	Foster, Jr. ....	D25/133
D. 348,738	7/1994	Jasinsky .....	D25/133
3,606,222	9/1971	Howard .....	248/156
3,820,906	6/1974	Katt .....	403/2
3,912,404	10/1975	Katt .....	403/2
4,105,350	8/1978	O'Donnell .....	403/220
4,126,403	11/1978	Sweeney et al. ....	403/2
4,490,062	12/1984	Chisholm .....	403/2
4,553,358	11/1985	Deike .....	52/98
4,615,156	10/1986	Deike .....	52/98
4,928,446	5/1990	Alexander, Sr. ....	52/98
4,986,687	1/1991	Ivey .....	403/2
5,004,366	4/1991	Simmons .....	403/2
5,203,135	4/1993	Bastian .....	52/726.1
5,214,886	6/1993	Hugron .....	52/98

FIG. 1 is an isometric view of the traffic sign post slip splice connection base piece, the traffic sign post is shown in broken lines for illustrative purposes only and forms no part of the claimed design;  
FIG. 2 is a side view of either side of the traffic sign slip splice connection base piece;  
FIG. 3 is a view of one end of the traffic sign slip splice connection base piece;  
FIG. 4 is a view of the other end of the traffic sign slip splice connection base piece;  
FIG. 5 is a top plan view of the traffic sign slip splice connection base piece; and,  
FIG. 6 is a bottom view of the traffic sign slip splice connection base piece.

**1 Claim, 2 Drawing Sheets**



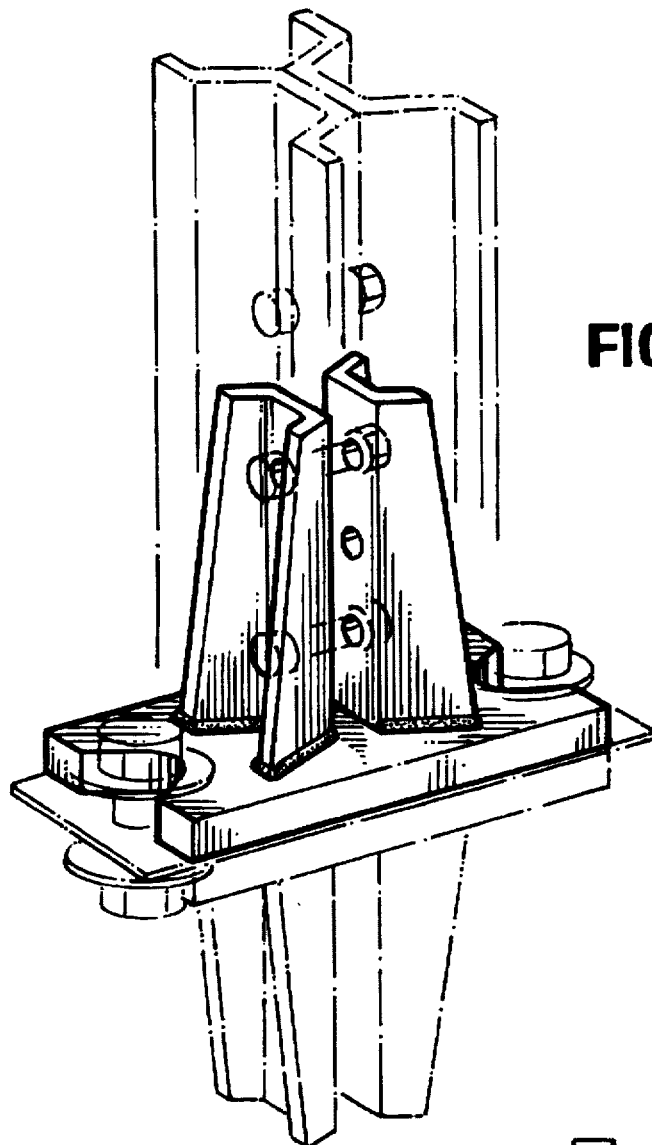


FIG. 1

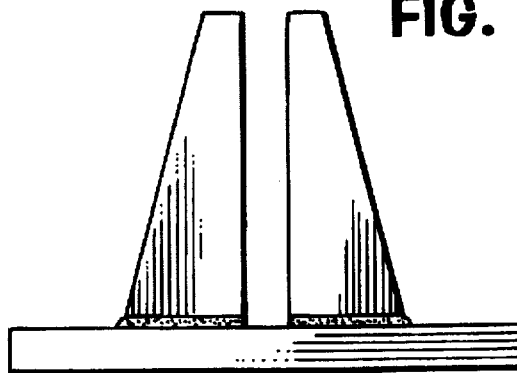


FIG. 2

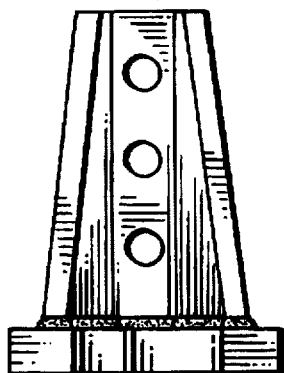
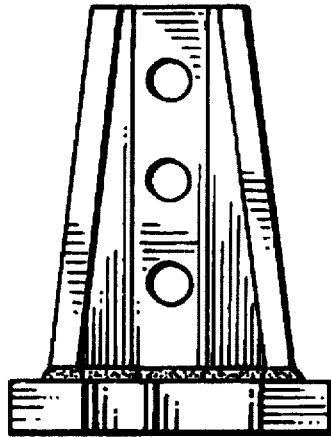
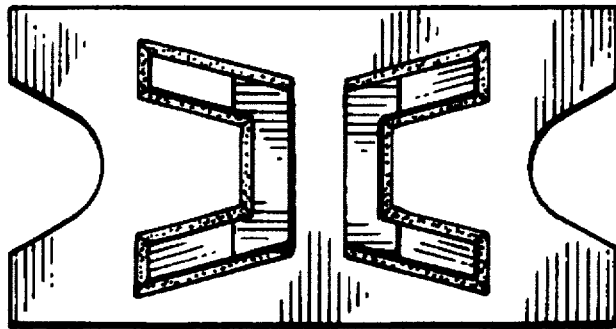


FIG. 3

**FIG. 4**



**FIG. 5**



**FIG. 6**

