



(12) **United States Patent**  
**Holtzapple et al.**

(10) **Patent No.:** **US 9,670,924 B2**  
(45) **Date of Patent:** **Jun. 6, 2017**

(54) **GEROTOR APPARATUS HAVING OUTER GEROTOR WITH STRENGTHENING MEMBERS**

*19/085* (2013.01); *F01C 21/008* (2013.01);  
*F01C 21/04* (2013.01); *F01C 21/06* (2013.01);  
*F04C 2/10* (2013.01); *F04C 15/003* (2013.01)

(71) Applicant: **Texas A&M University System**,  
College Station, TX (US)

(58) **Field of Classification Search**

(72) Inventors: **Mark T. Holtzapple**, College Station,  
TX (US); **George A. Rabroker**,  
College Station, TX (US); **Michael K. Ross**, Bryan, TX (US)

CPC ..... F04C 11/003; F04C 2/10; F04C 15/003;  
F01C 1/104; F01C 11/004; F01C 17/04;  
F01C 17/06; F01C 19/085; F01C 21/008;  
F01C 21/04; F01C 21/06  
USPC ..... 418/61.3, 104, 125, 140-141, 143, 166,  
418/171; 277/303, 358, 412, 415  
See application file for complete search history.

(\* ) Notice: Subject to any disclaimer, the term of this patent is extended or adjusted under 35 U.S.C. 154(b) by 0 days.

(56) **References Cited**

(21) Appl. No.: **14/305,920**

U.S. PATENT DOCUMENTS

(22) Filed: **Jun. 16, 2014**

3,170,409 A \* 2/1965 McLeod et al. .... 418/133  
3,214,087 A \* 10/1965 Luck ..... 418/171

(65) **Prior Publication Data**

US 2014/0348683 A1 Nov. 27, 2014  
US 2016/0138590 A9 May 19, 2016

(Continued)

**Related U.S. Application Data**

OTHER PUBLICATIONS

(63) Continuation of application No. 12/978,220, filed on Dec. 23, 2010, now Pat. No. 8,753,099, which is a (Continued)

Final Office Action issued for U.S. Appl. No. 14/098,272 dated Feb. 1, 2016, 9 pgs.

*Primary Examiner* — Theresa Trieu

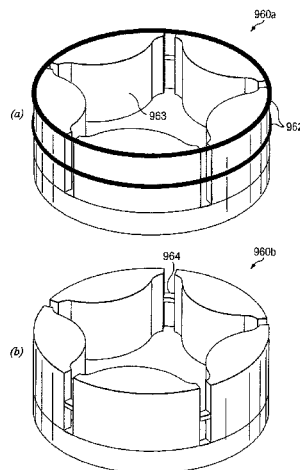
(51) **Int. Cl.**  
*F03C 2/00* (2006.01)  
*F03C 4/00* (2006.01)  
*F04C 2/00* (2006.01)  
*F04C 11/00* (2006.01)  
*F01C 1/10* (2006.01)  
*F01C 11/00* (2006.01)  
*F01C 17/04* (2006.01)

(57) **ABSTRACT**

According to one embodiment of the invention, a gerotor apparatus includes a first gerotor, a second gerotor, and a synchronizing system operable to synchronize a rotation of the first gerotor with a rotation of the second gerotor. The synchronizing system includes a cam plate coupled to the first gerotor, wherein the cam plate includes a plurality of cams, and an alignment plate coupled to the second gerotor. The alignment plate includes at least one alignment member, wherein the plurality of cams and the at least one alignment member interact to synchronize a rotation of the first gerotor with a rotation of the second gerotor.

(52) **U.S. Cl.**  
CPC ..... *F04C 11/003* (2013.01); *F01C 1/104* (2013.01); *F01C 11/004* (2013.01); *F01C 17/04* (2013.01); *F01C 17/06* (2013.01); *F01C*

**20 Claims, 92 Drawing Sheets**



**Related U.S. Application Data**

continuation of application No. 11/041,011, filed on Jan. 21, 2005, now abandoned, application No. 14/305,920, which is a continuation-in-part of application No. 14/098,272, filed on Dec. 5, 2013, now Pat. No. 9,382,872, which is a continuation of application No. 12/761,432, filed on Apr. 16, 2010, now Pat. No. 8,821,138, which is a continuation of application No. 11/681,877, filed on Mar. 5, 2007, now Pat. No. 7,726,959, which is a continuation of application No. 10/359,487, filed on Feb. 5, 2003, now Pat. No. 7,186,101.

(60) Provisional application No. 60/538,747, filed on Jan. 23, 2004, provisional application No. 60/355,636, filed on Feb. 5, 2002, provisional application No. 60/358,681, filed on Feb. 21, 2002, provisional application No. 60/397,193, filed on Jul. 18, 2002.

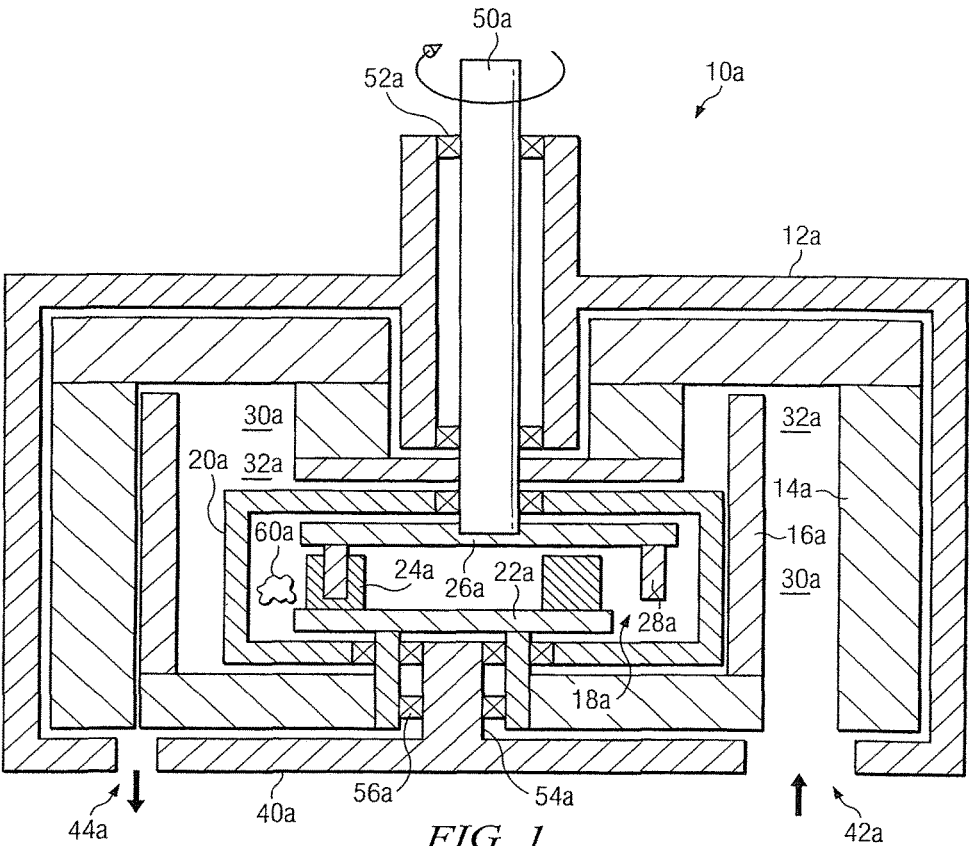
- (51) **Int. Cl.**
- F01C 17/06* (2006.01)
- F01C 19/08* (2006.01)
- F01C 21/00* (2006.01)
- F01C 21/04* (2006.01)
- F01C 21/06* (2006.01)
- F04C 2/10* (2006.01)
- F04C 15/00* (2006.01)

(56) **References Cited**

U.S. PATENT DOCUMENTS

4,127,364	A	11/1978	Eiermann et al.	
4,793,781	A *	12/1988	Wankel .....	F01C 1/103 418/168
5,044,907	A	9/1991	Hirosawa et al.	
6,336,317	B1 *	1/2002	Holtzapple .....	F01C 1/103 418/166
2003/0215345	A1 *	11/2003	Holtzapple et al. ....	418/171
2003/0228237	A1 *	12/2003	Holtzapple et al. ....	418/171

\* cited by examiner



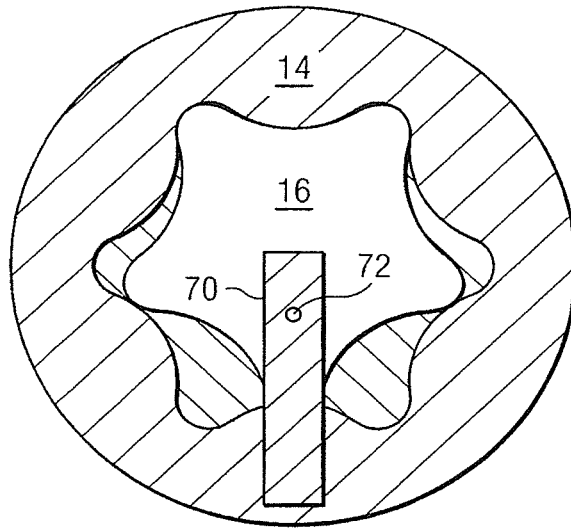


FIG. 2

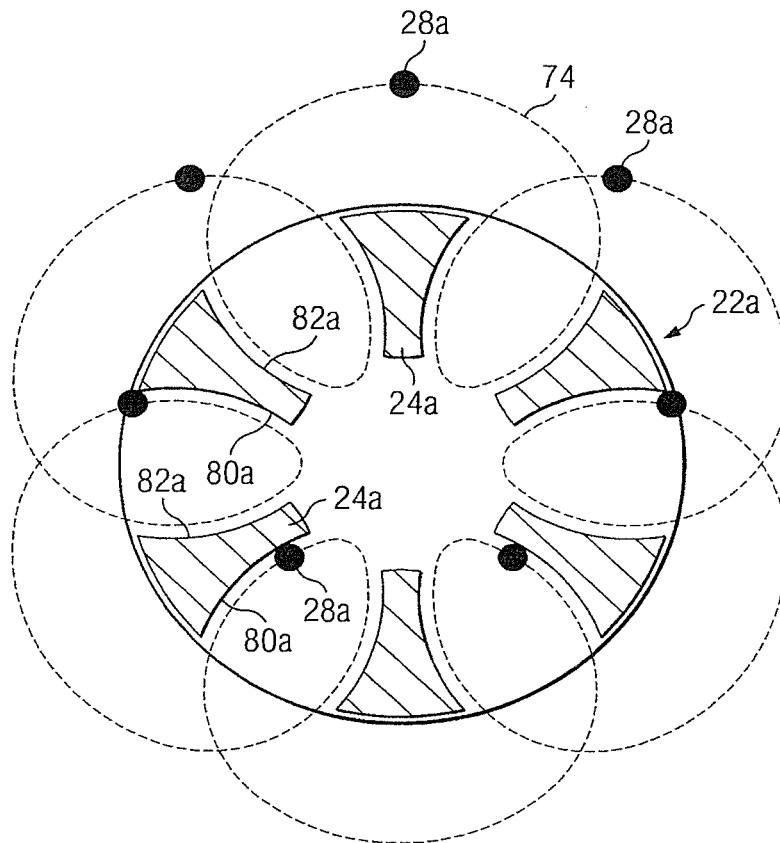
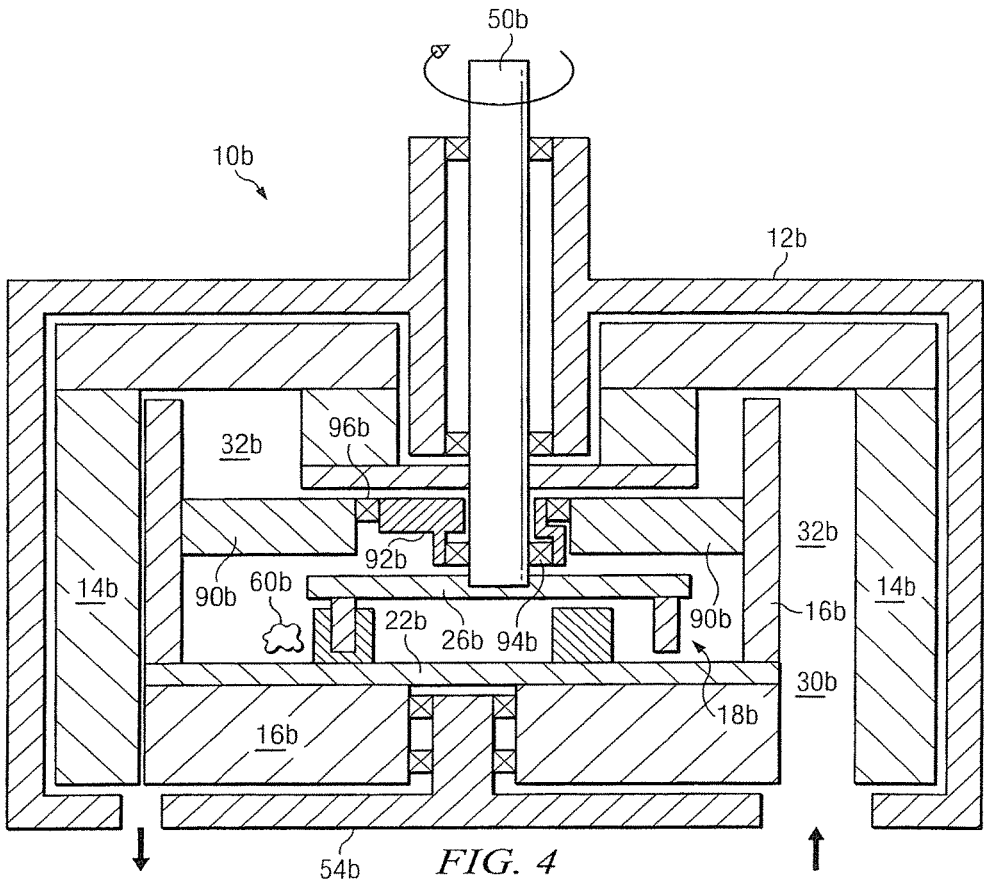


FIG. 3



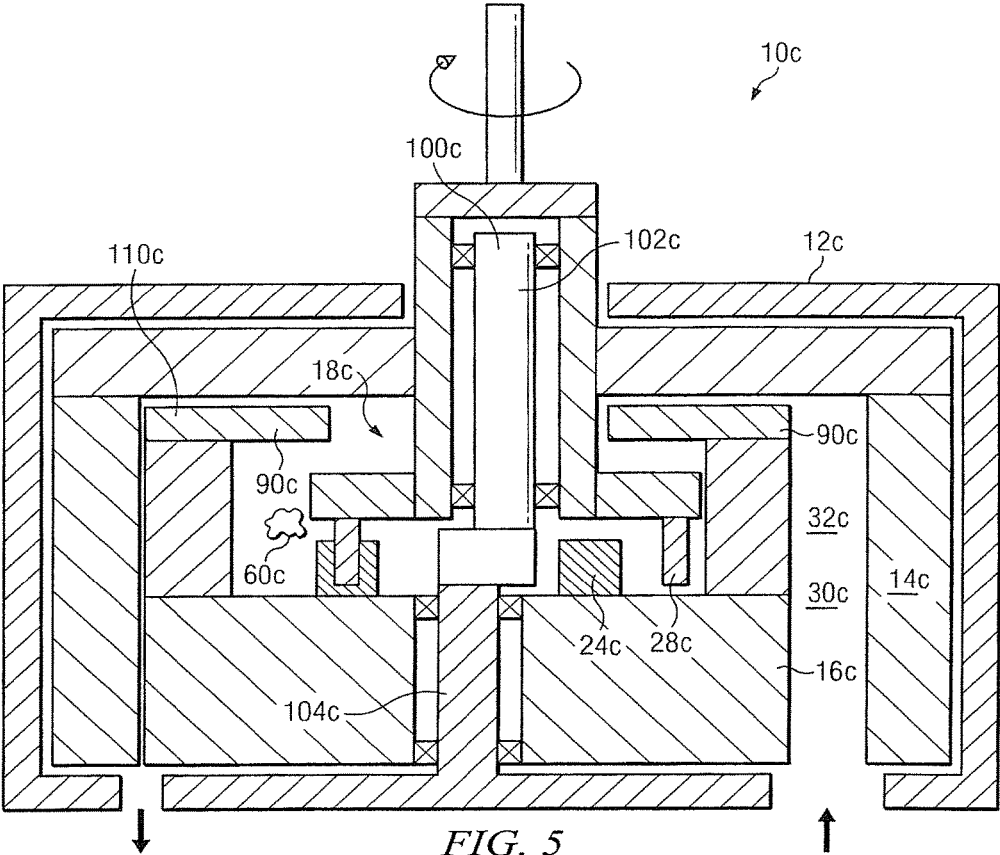


FIG. 5

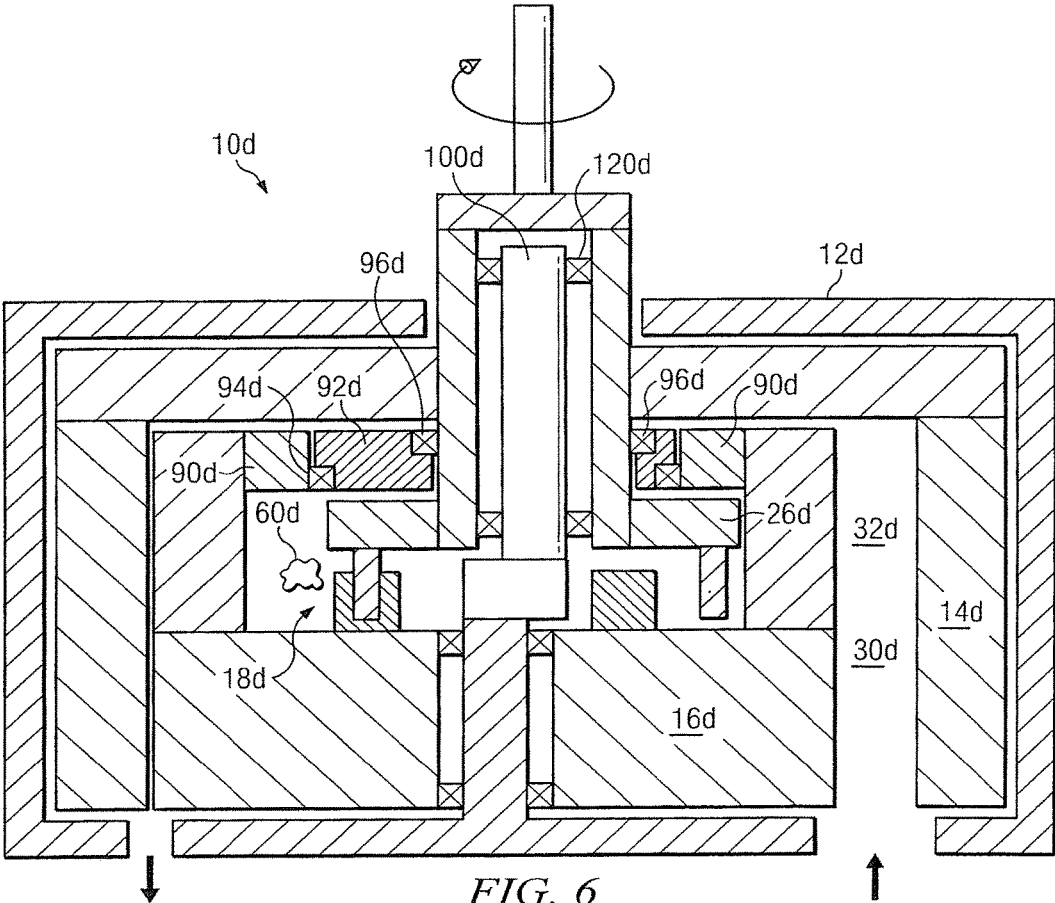


FIG. 6

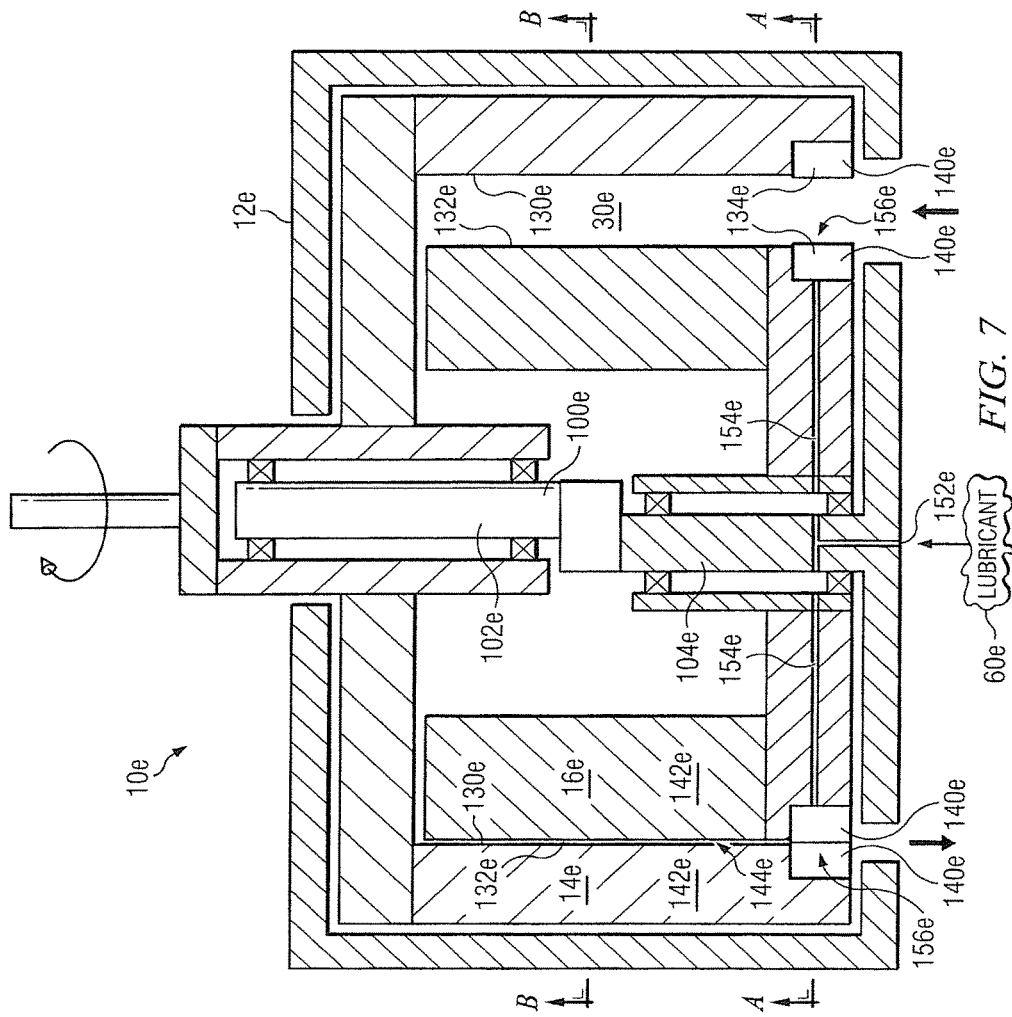


FIG. 7



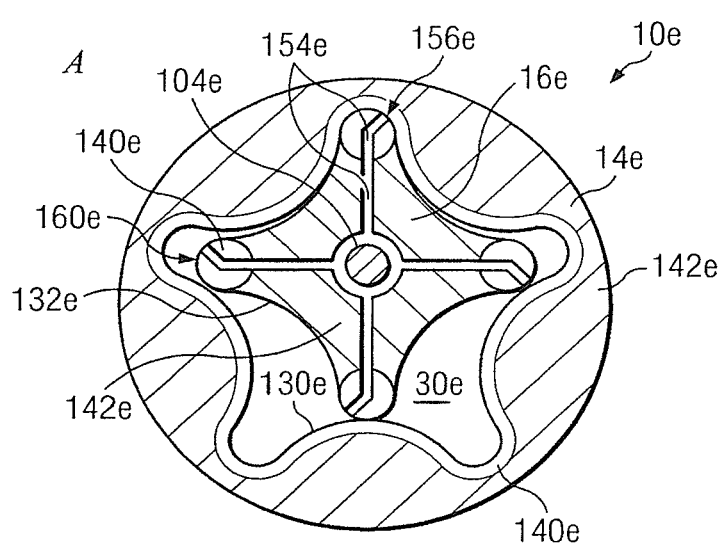
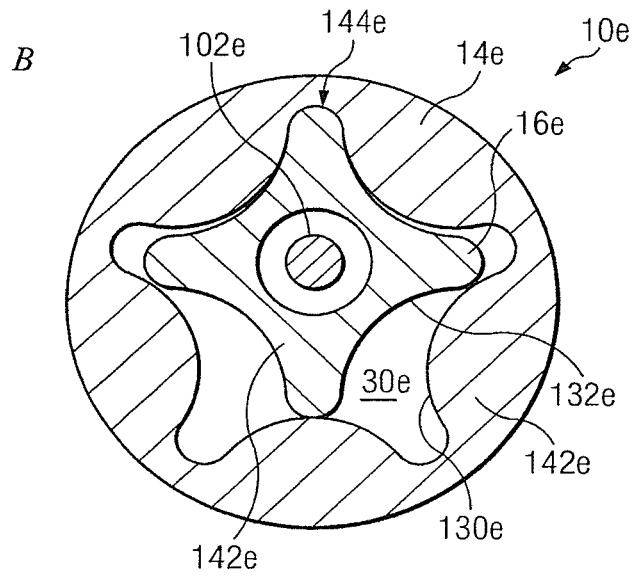
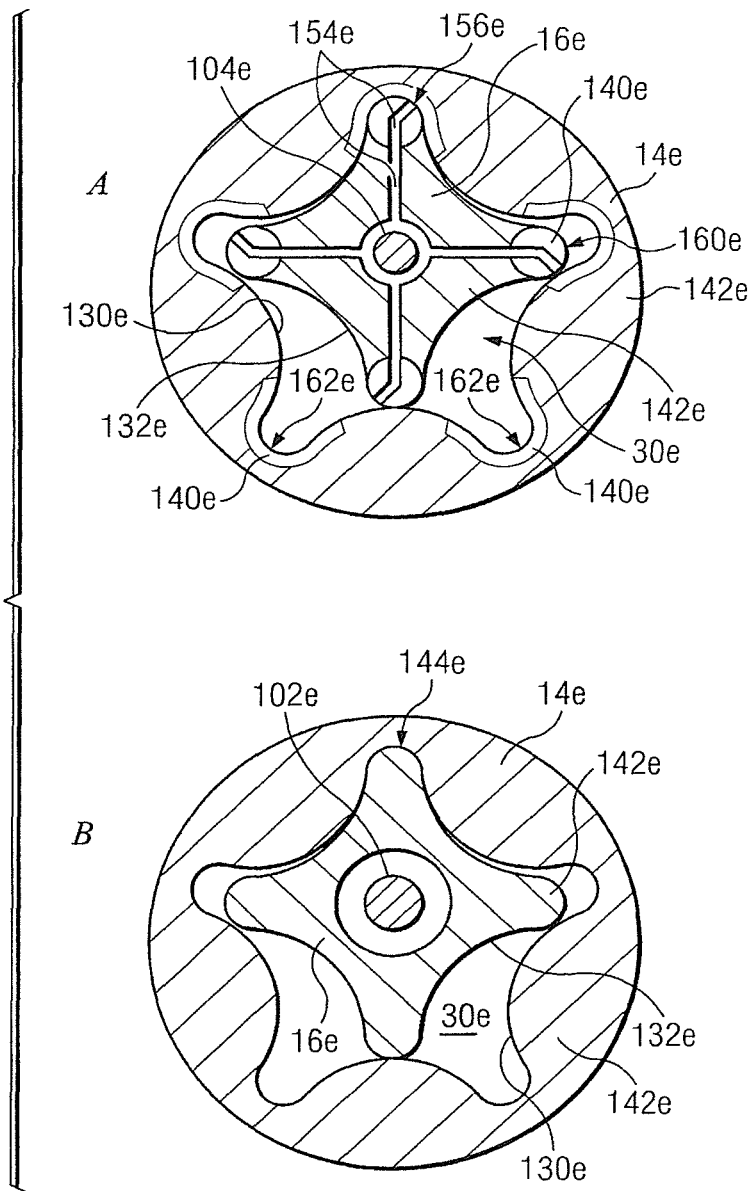
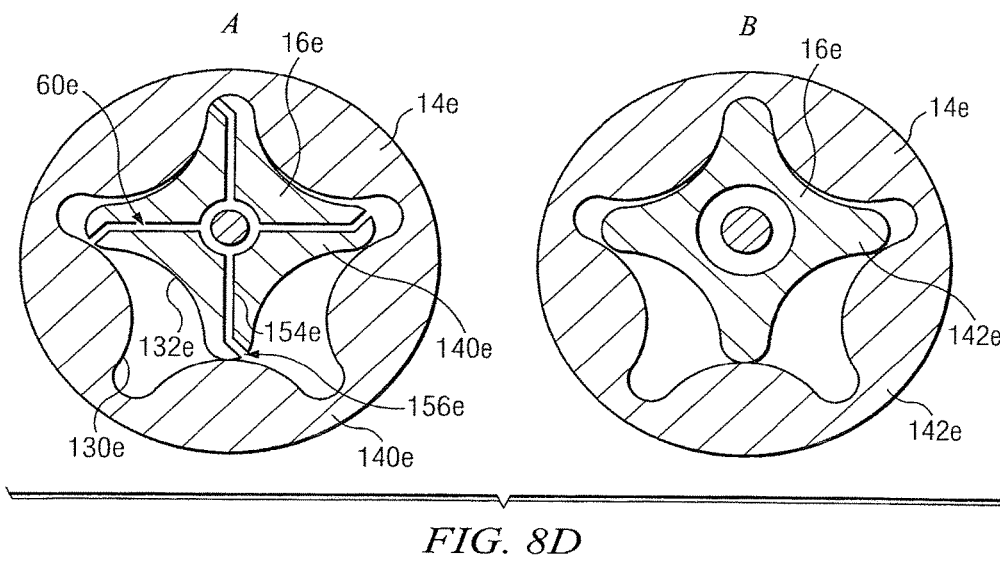
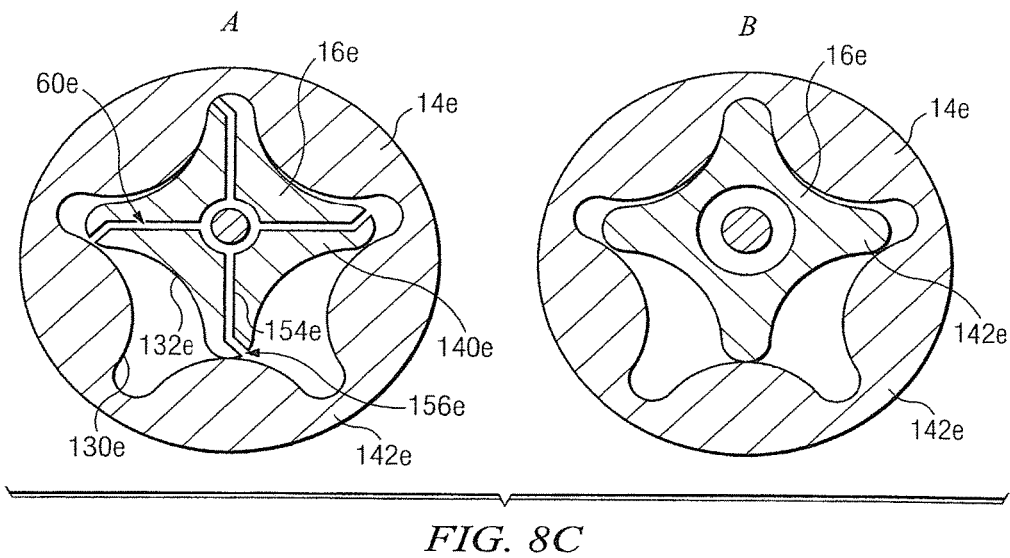


FIG. 8A







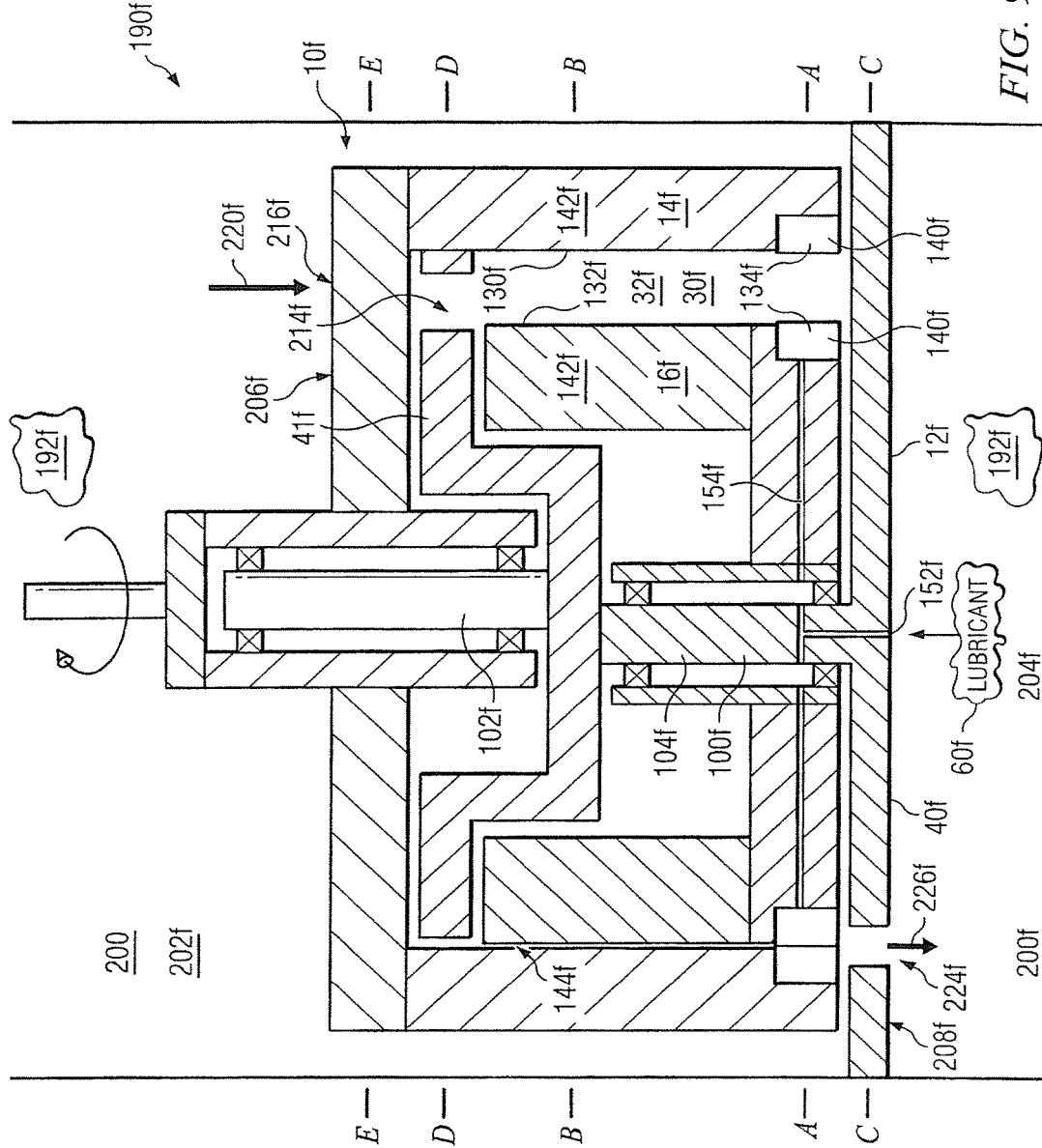


FIG. 9

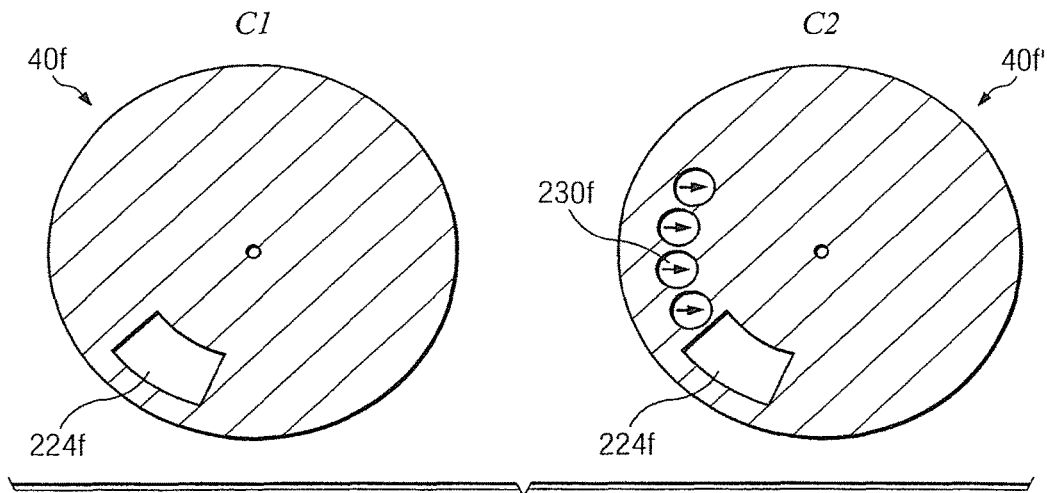


FIG. 10

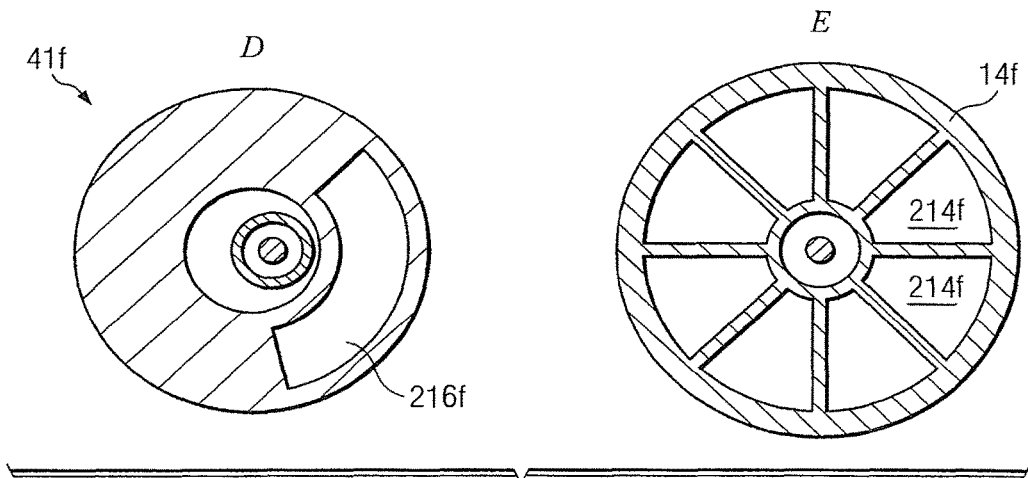


FIG. 11

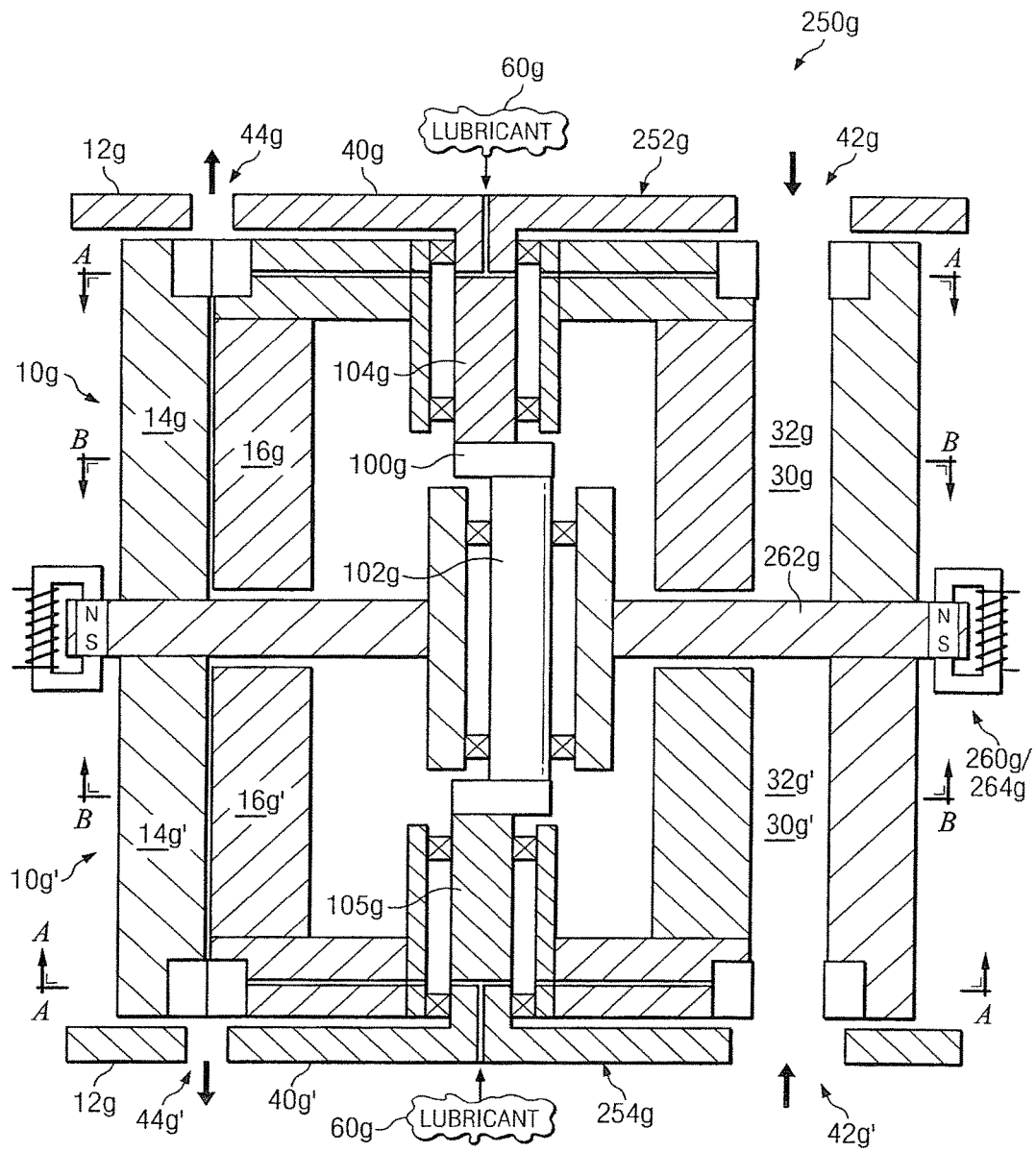


FIG. 12

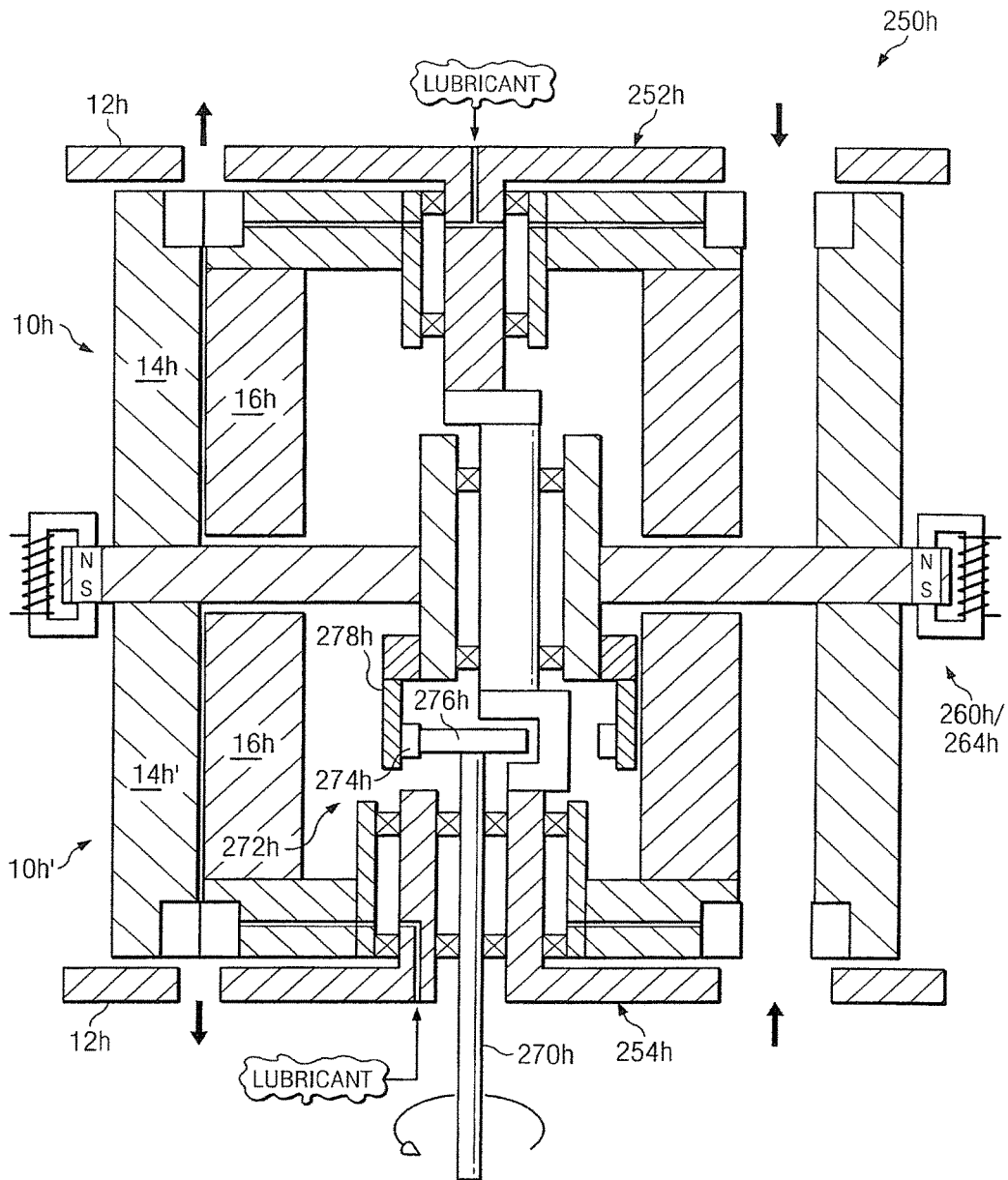


FIG. 13

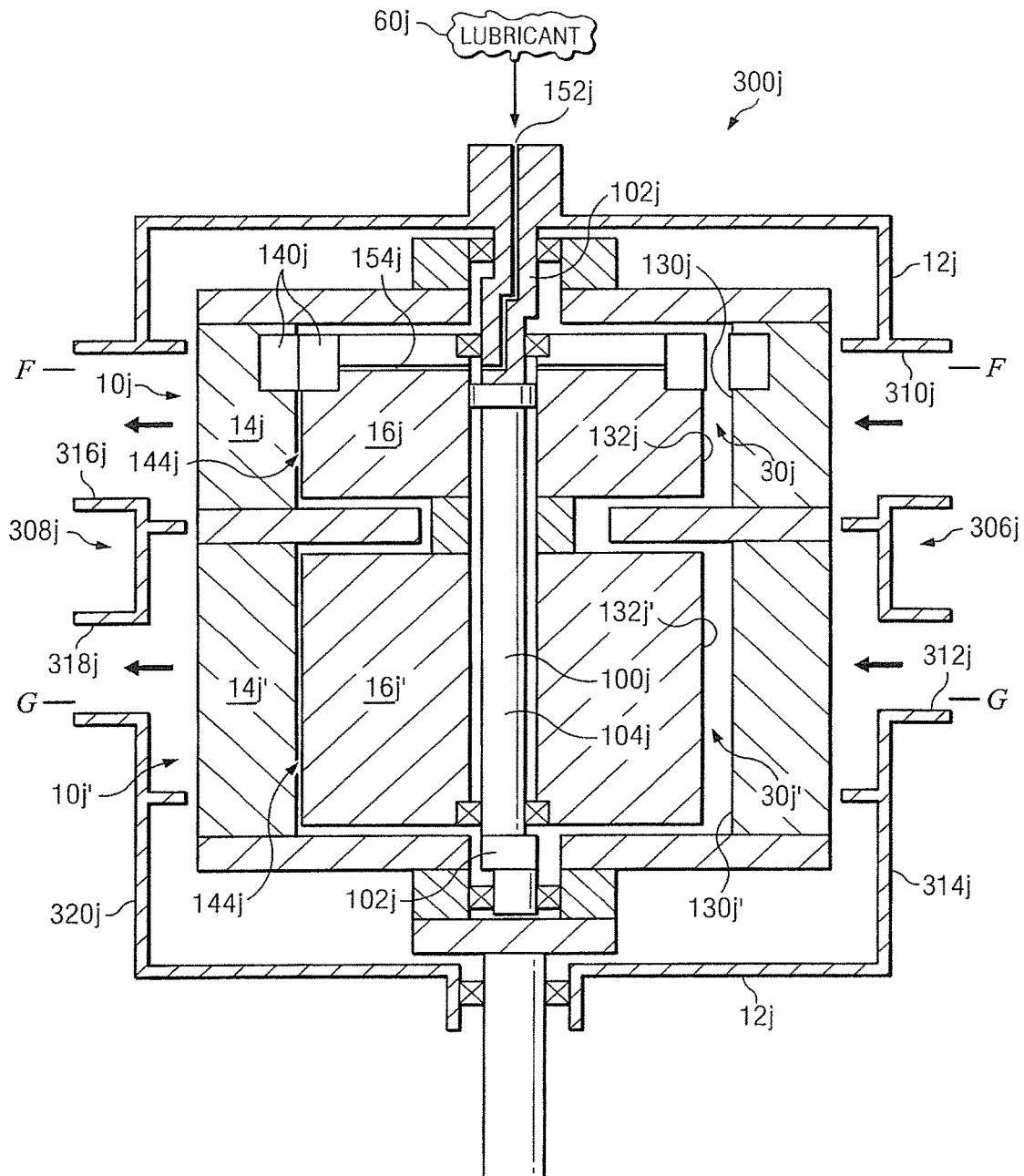
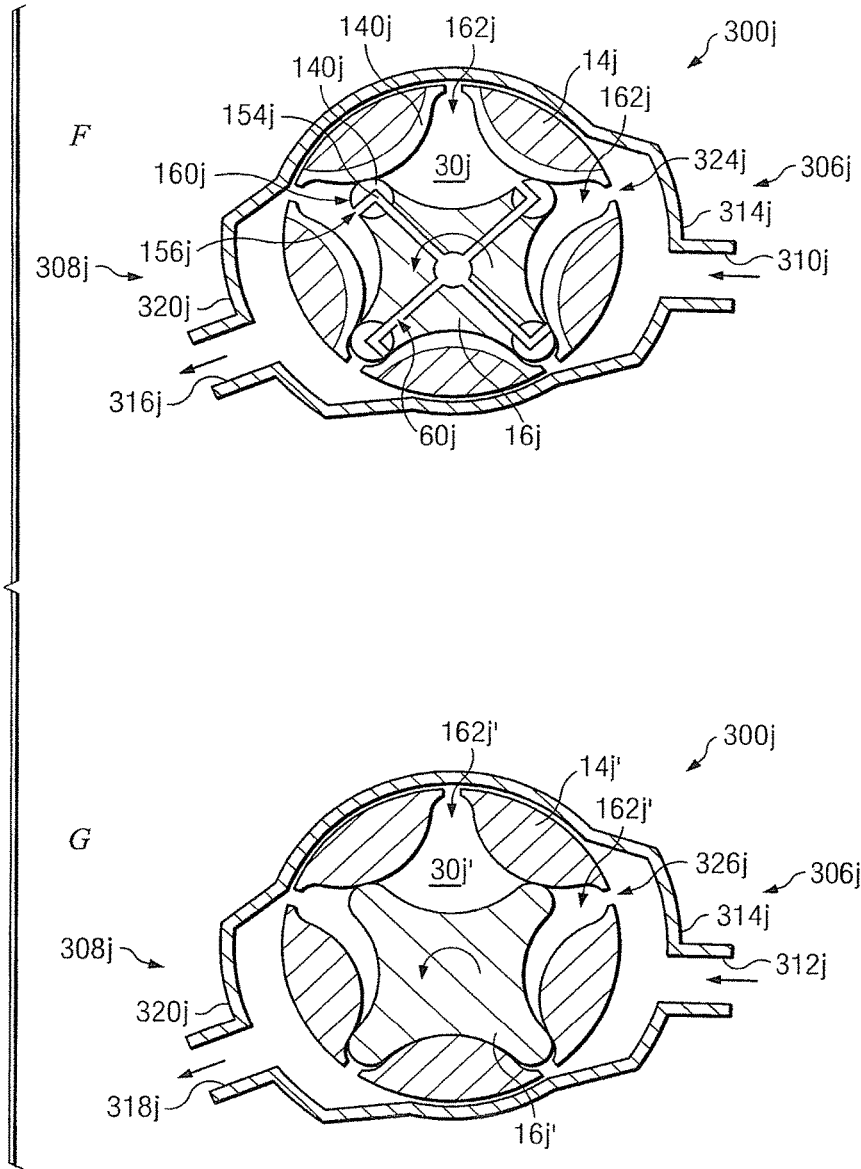


FIG. 14





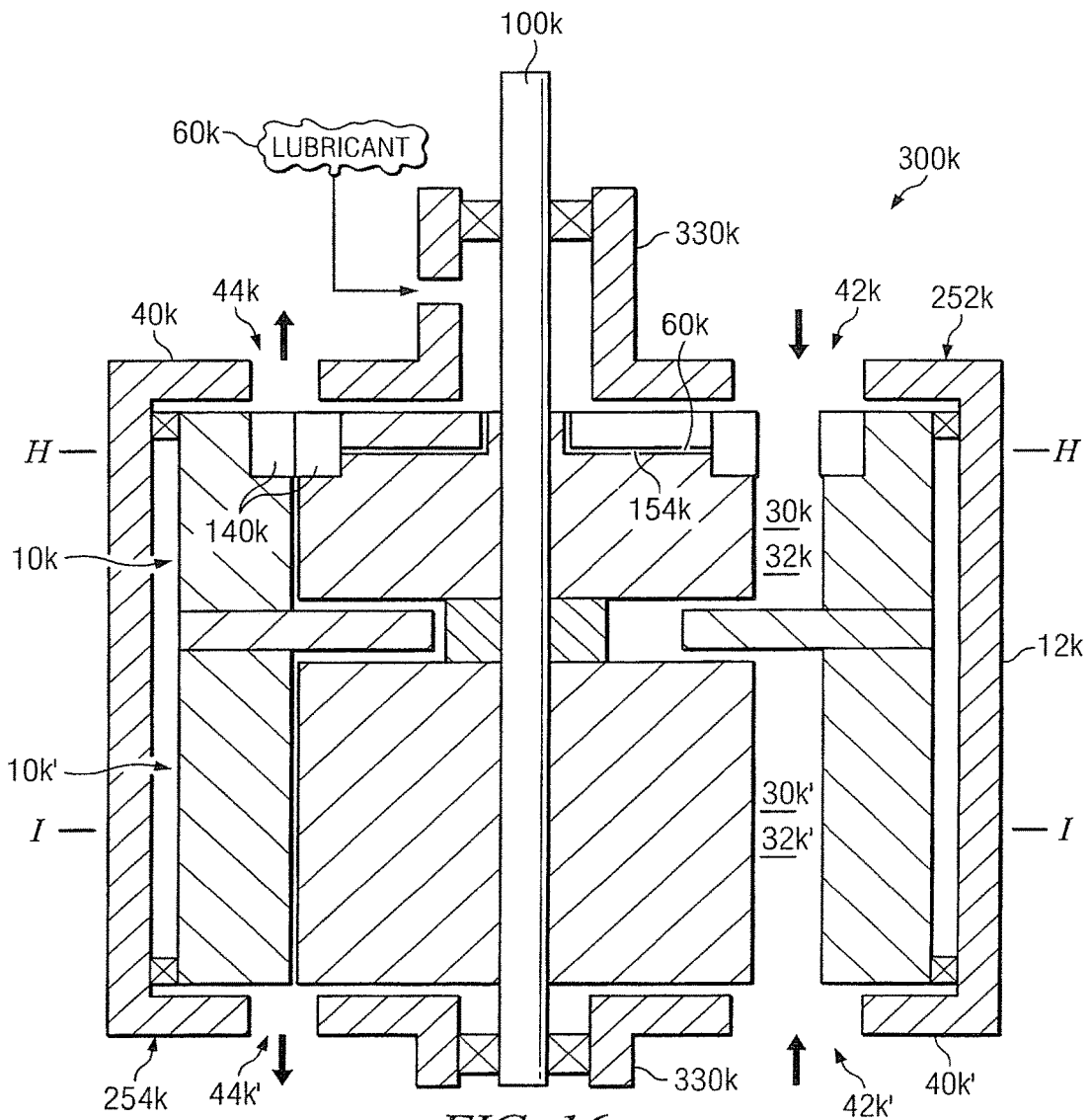


FIG. 16

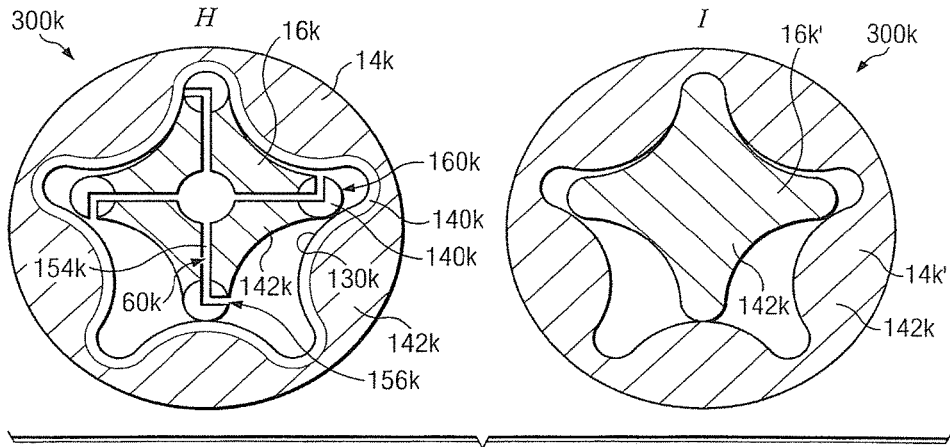


FIG. 17A

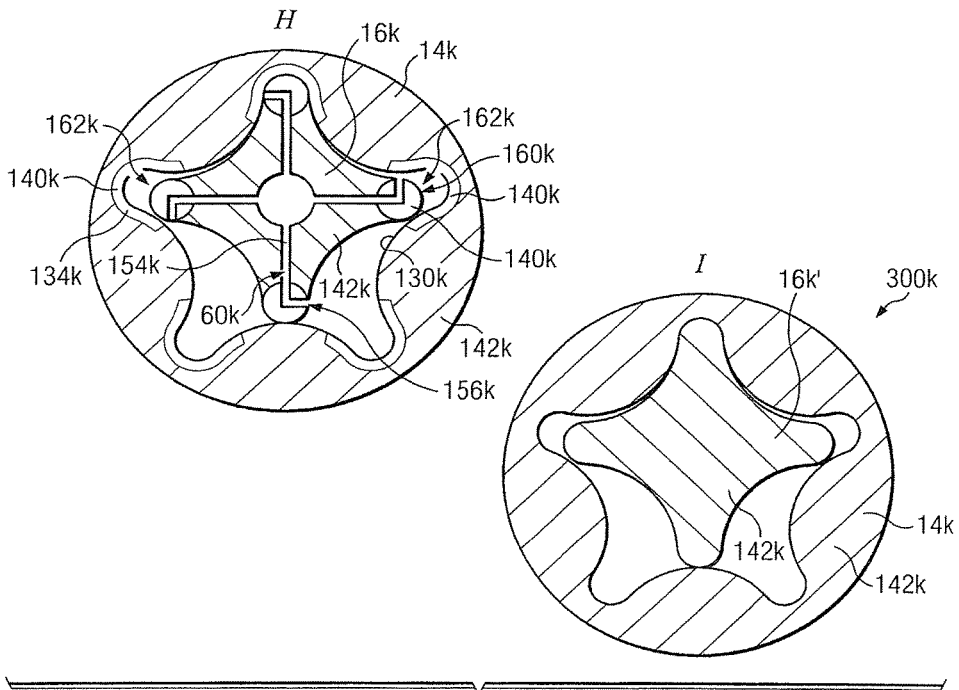


FIG. 17B

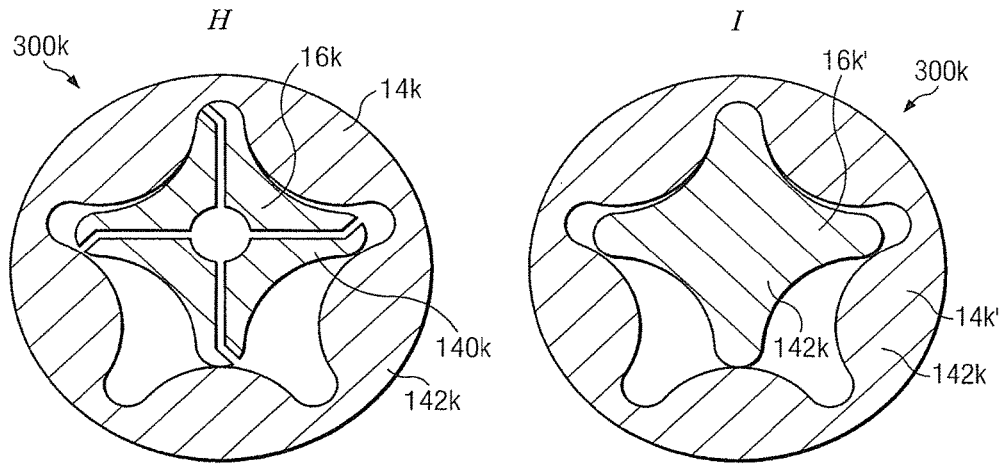


FIG. 17C

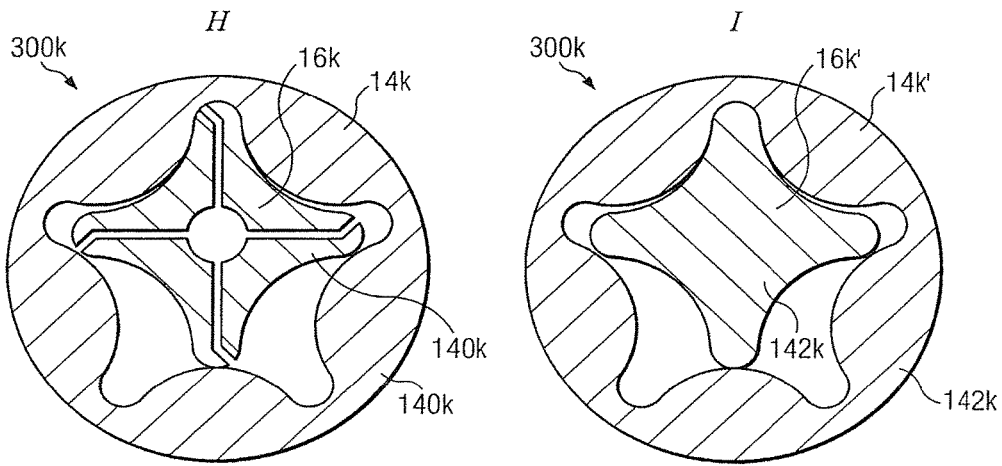


FIG. 17D

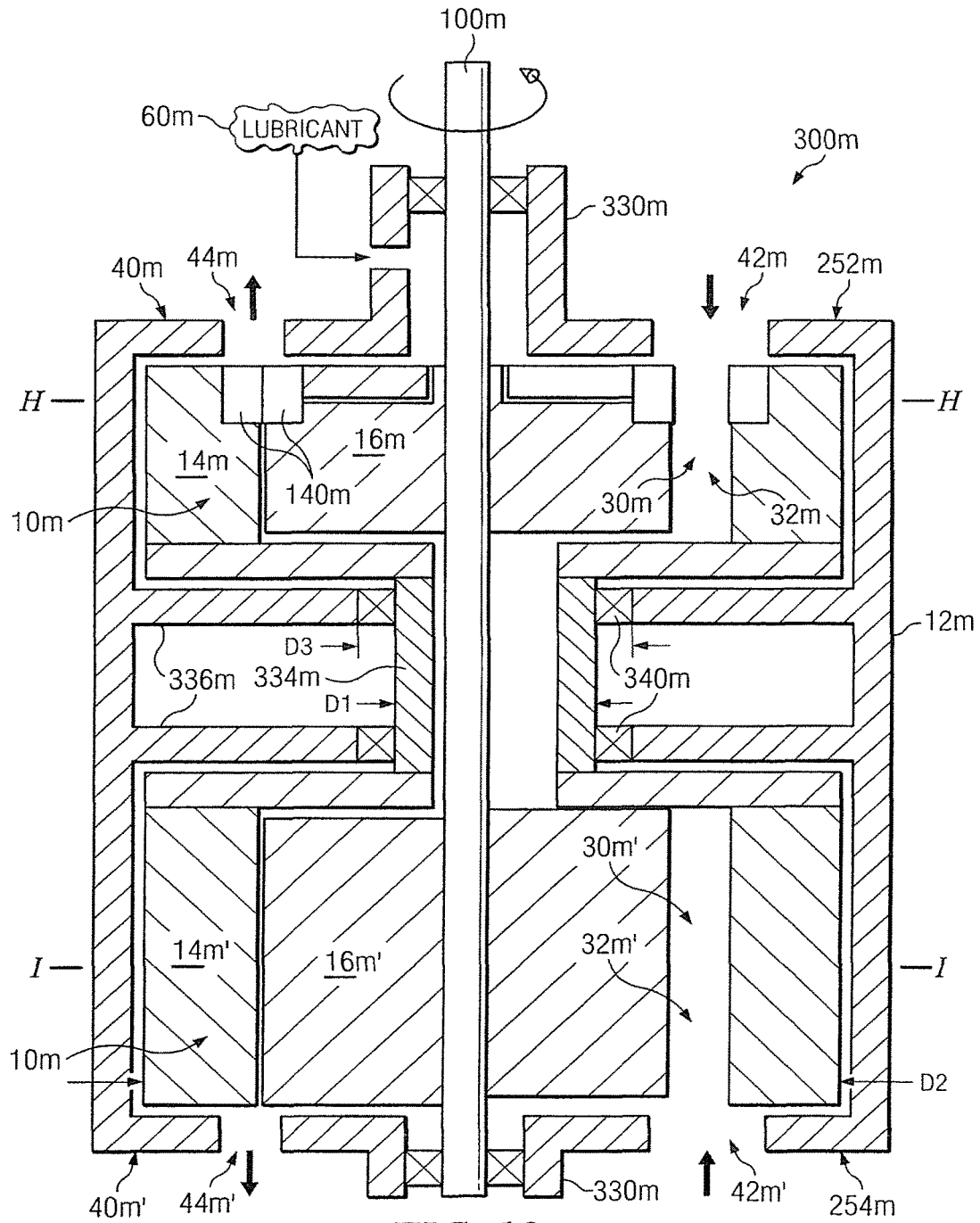


FIG. 18

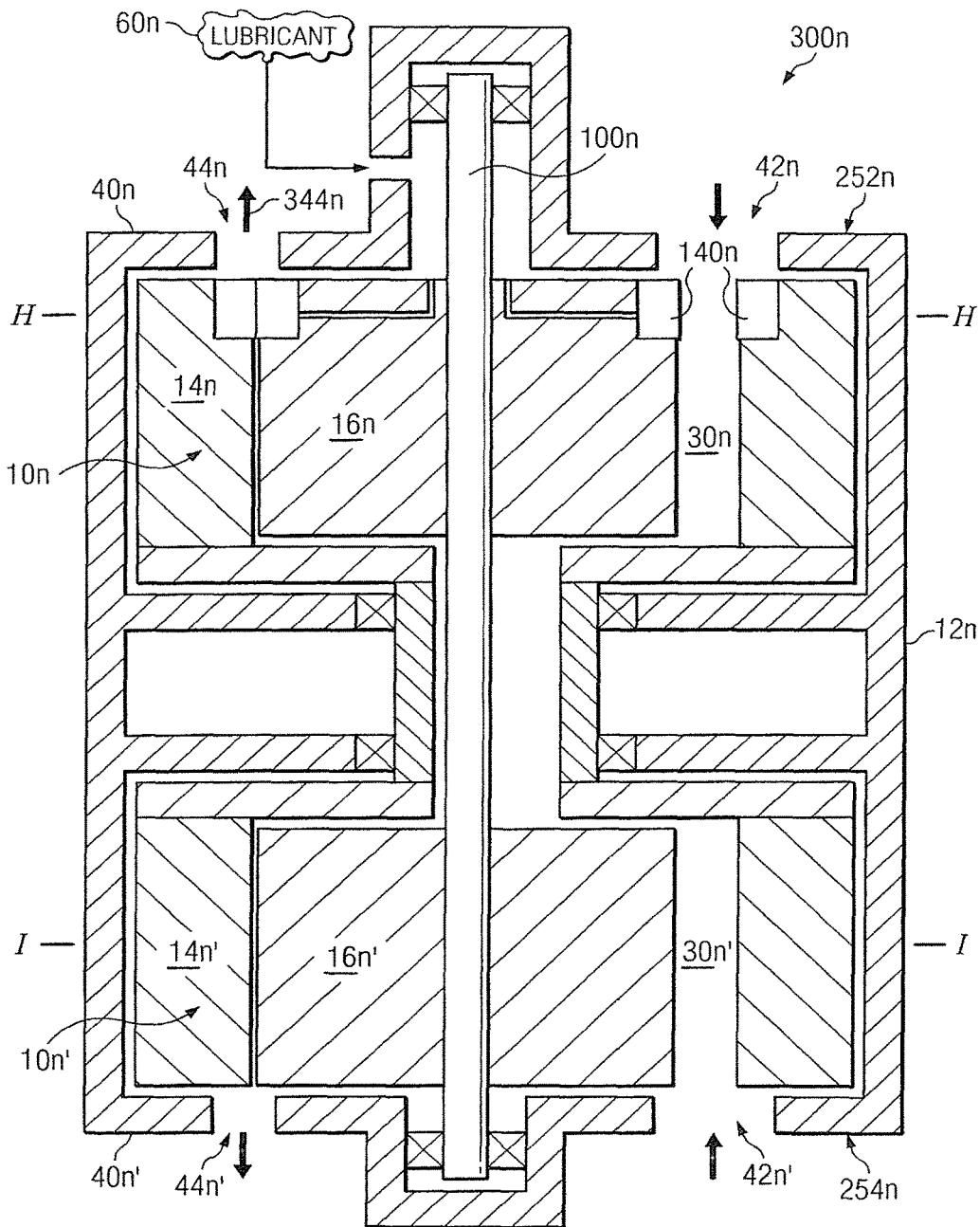


FIG. 19

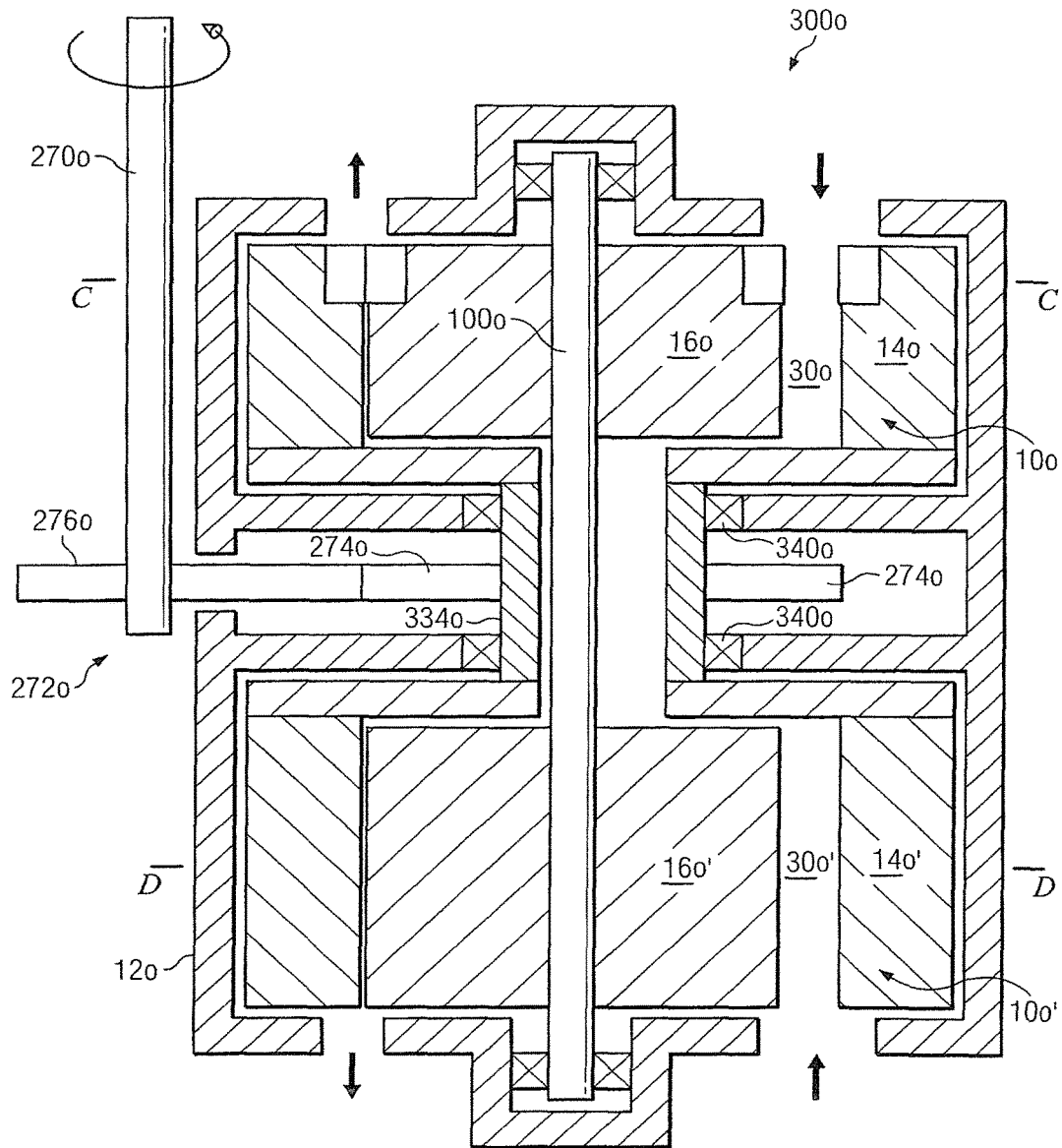


FIG. 20

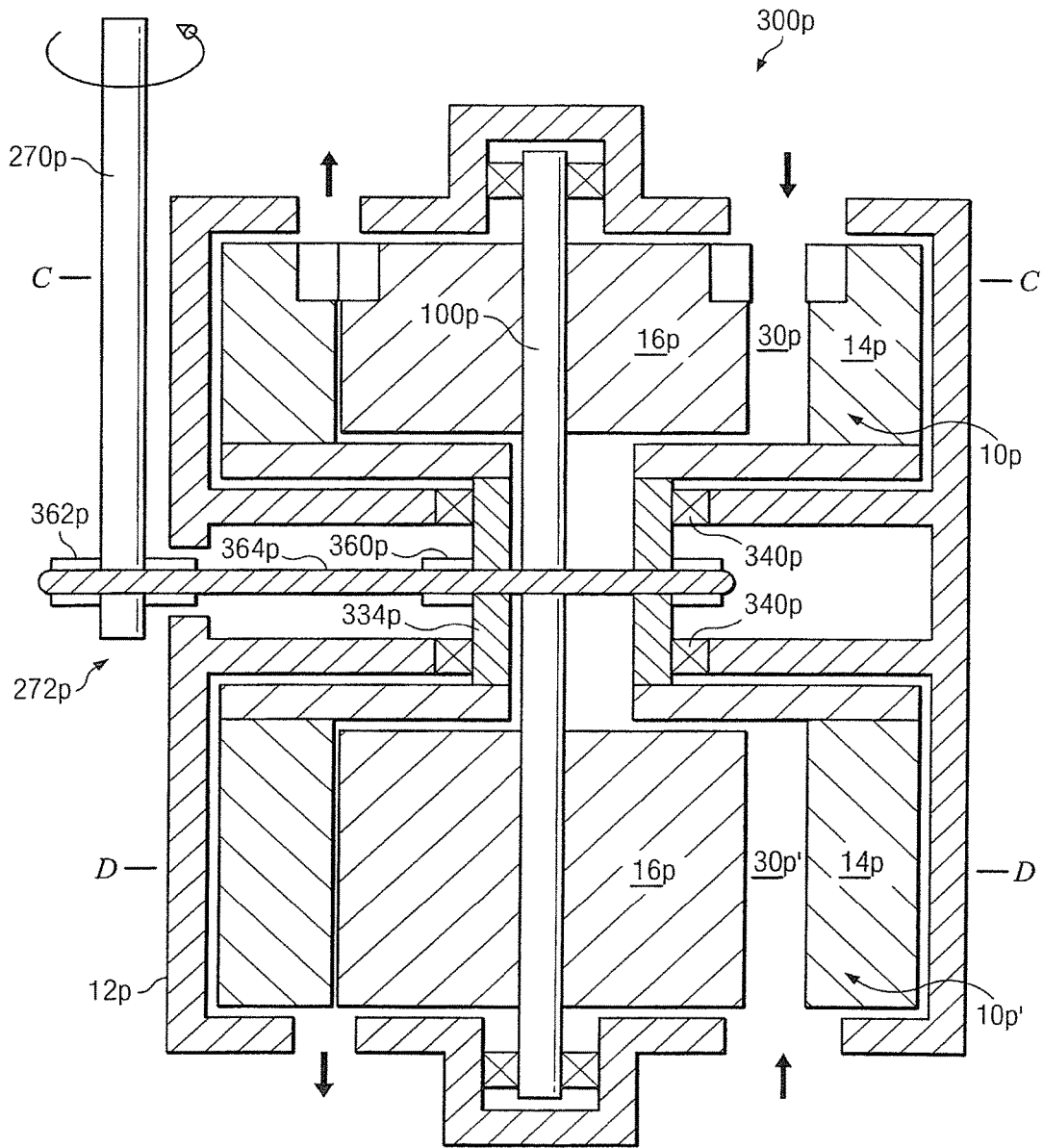


FIG. 21



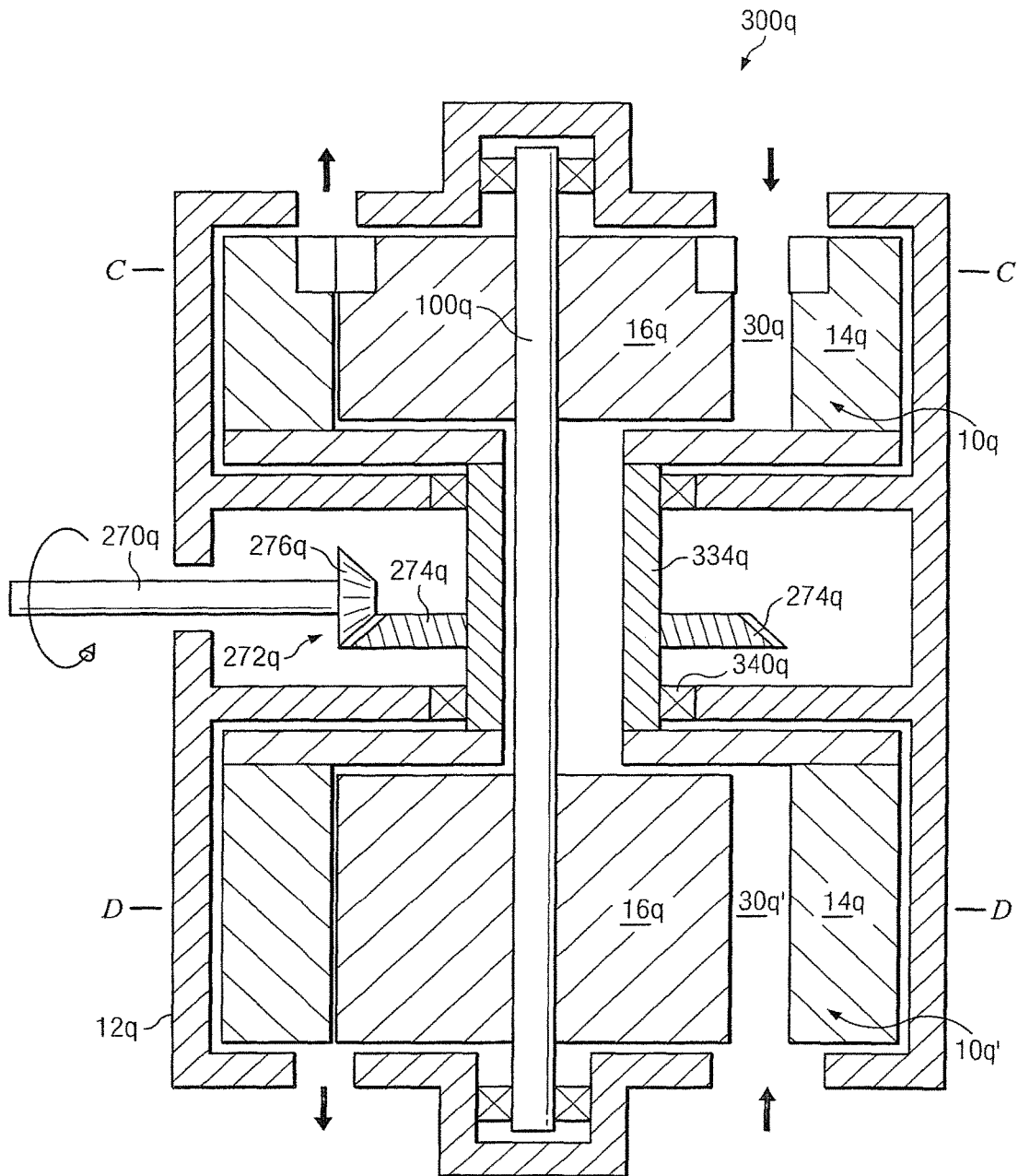


FIG. 22

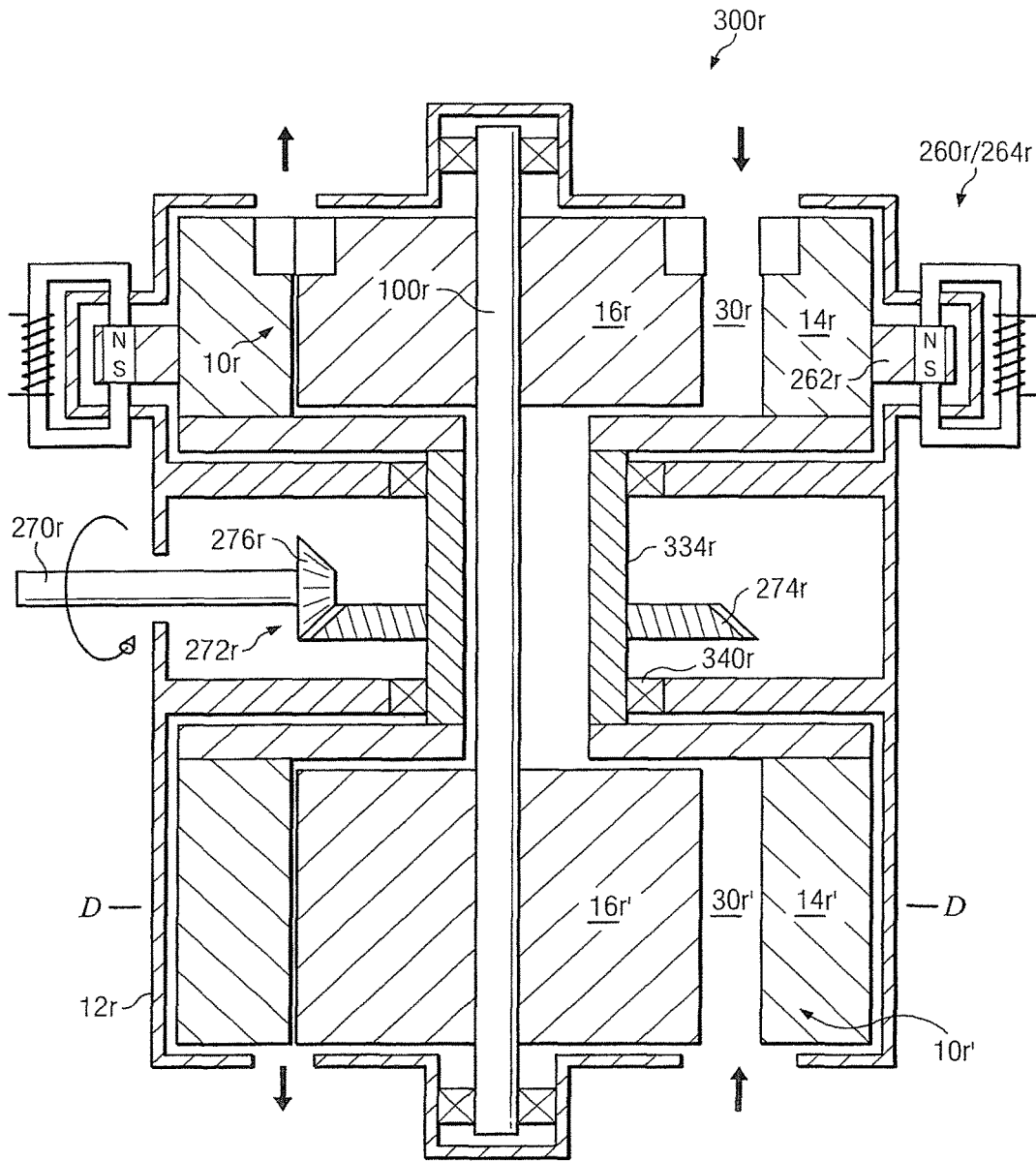


FIG. 23

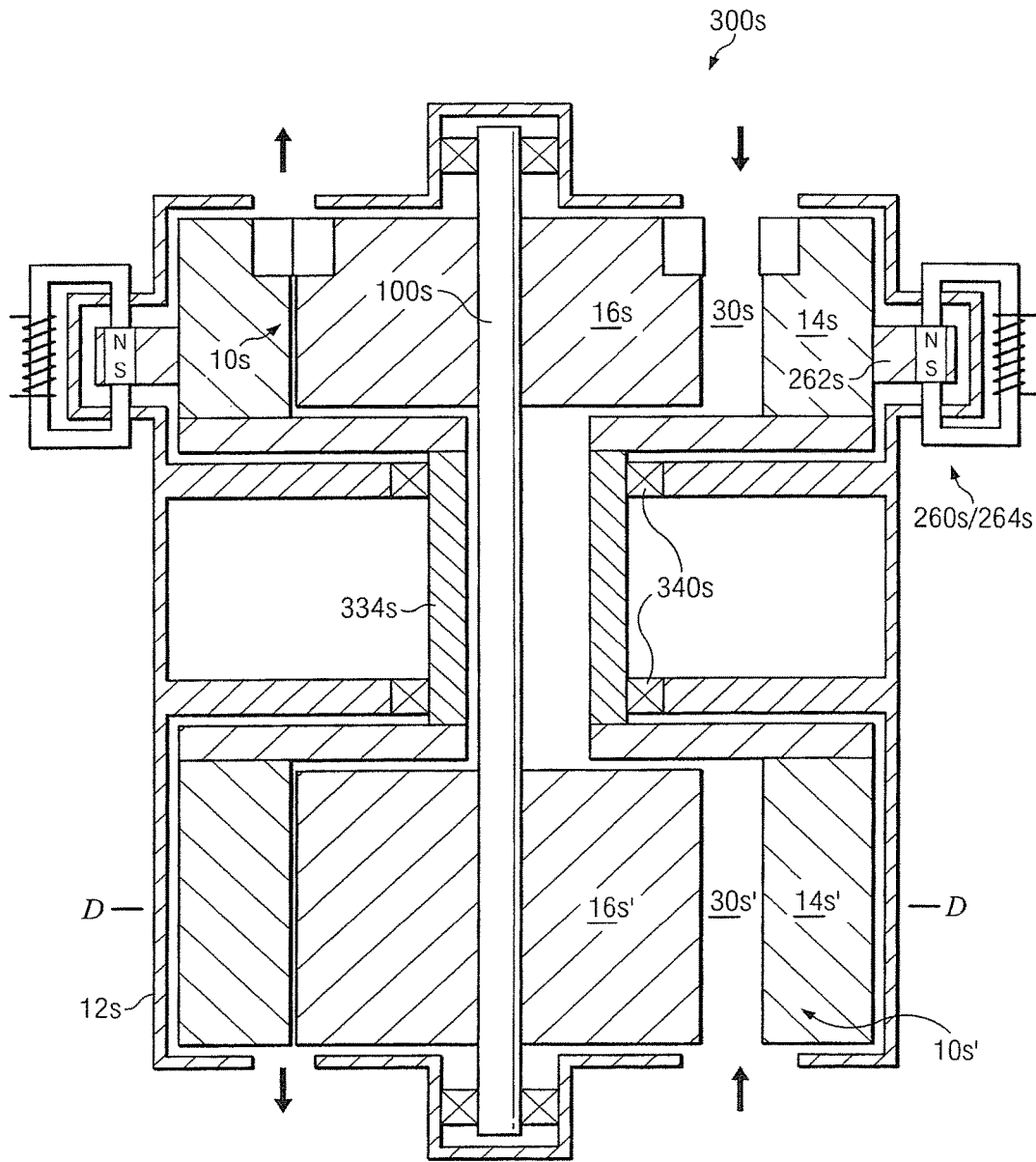


FIG. 24

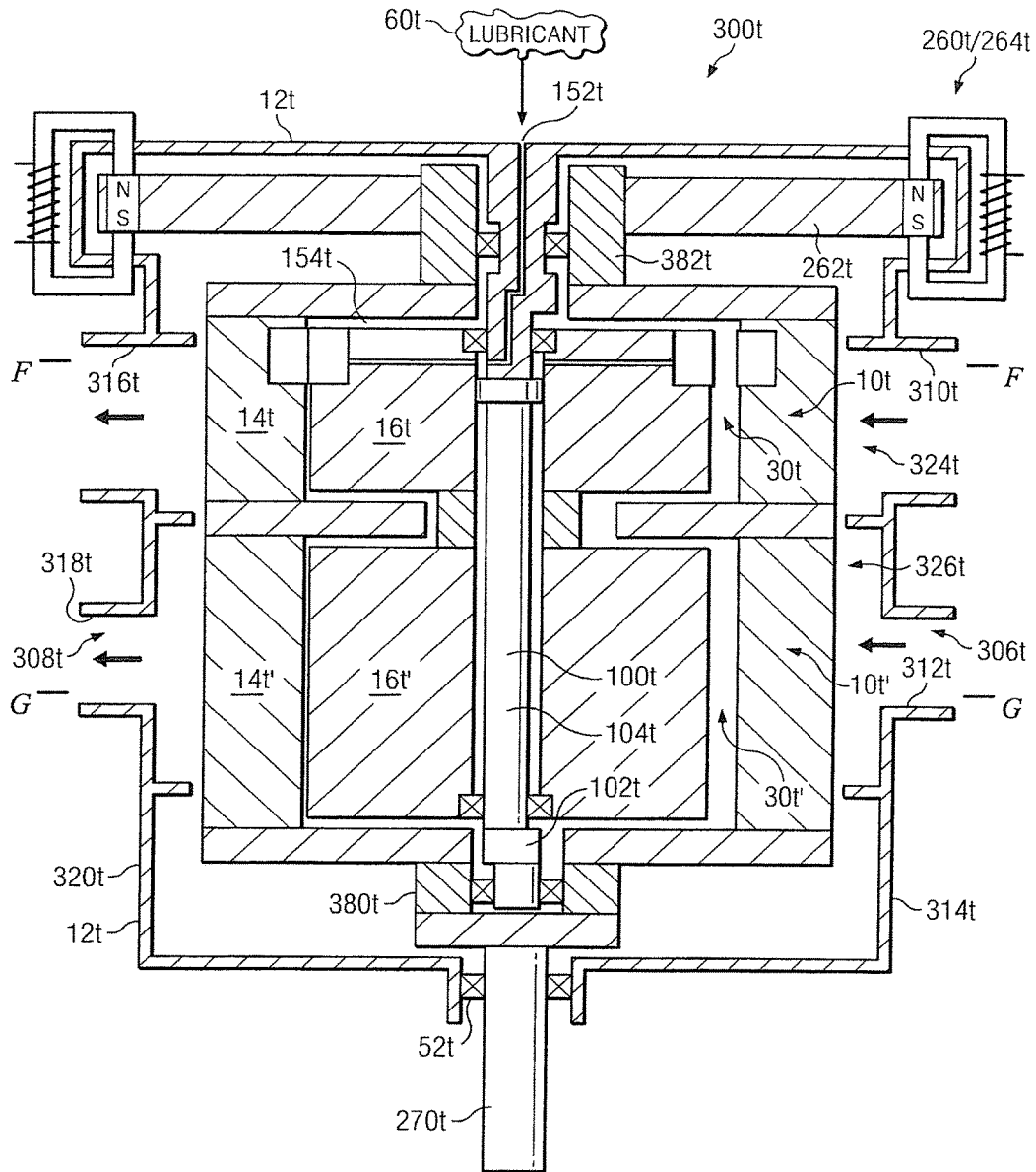


FIG. 25

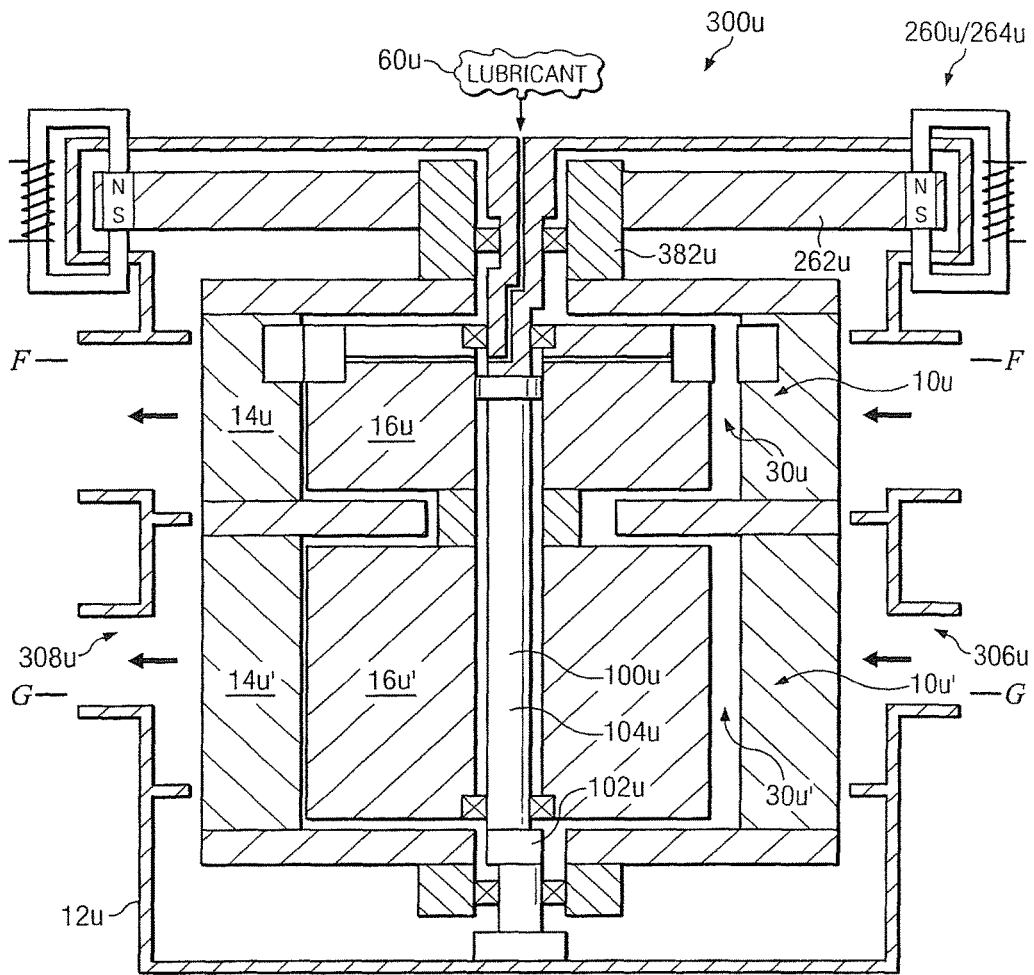
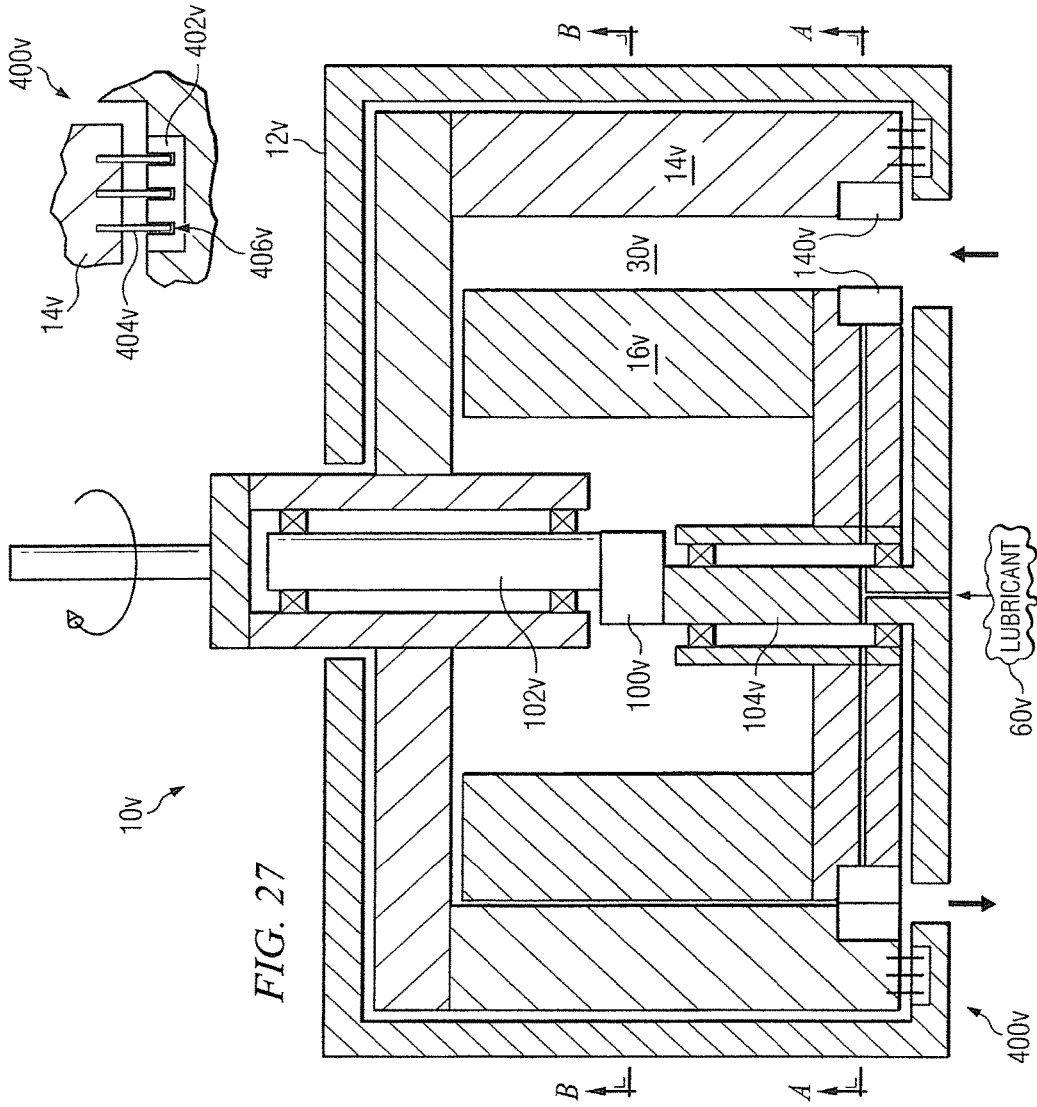
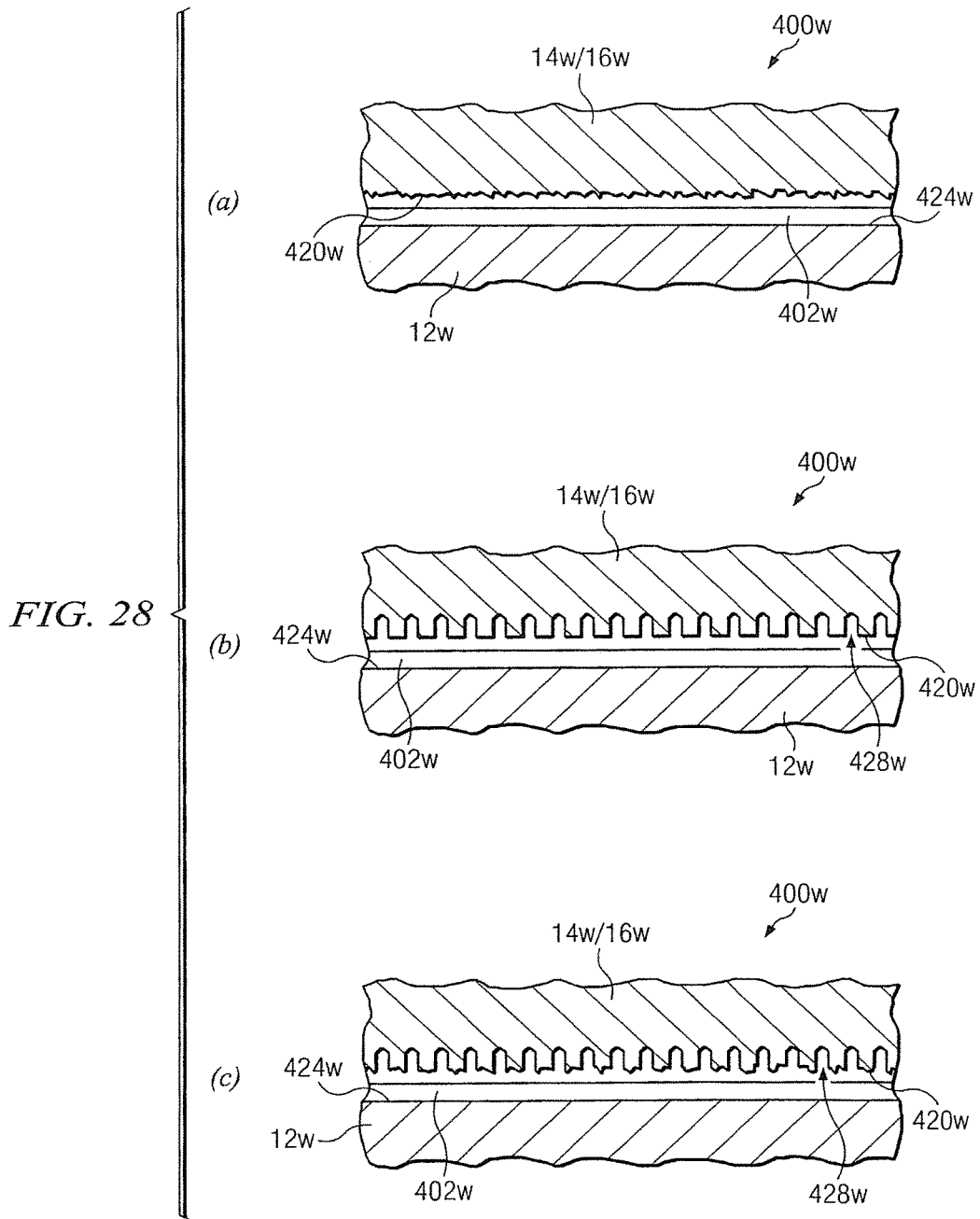


FIG. 26





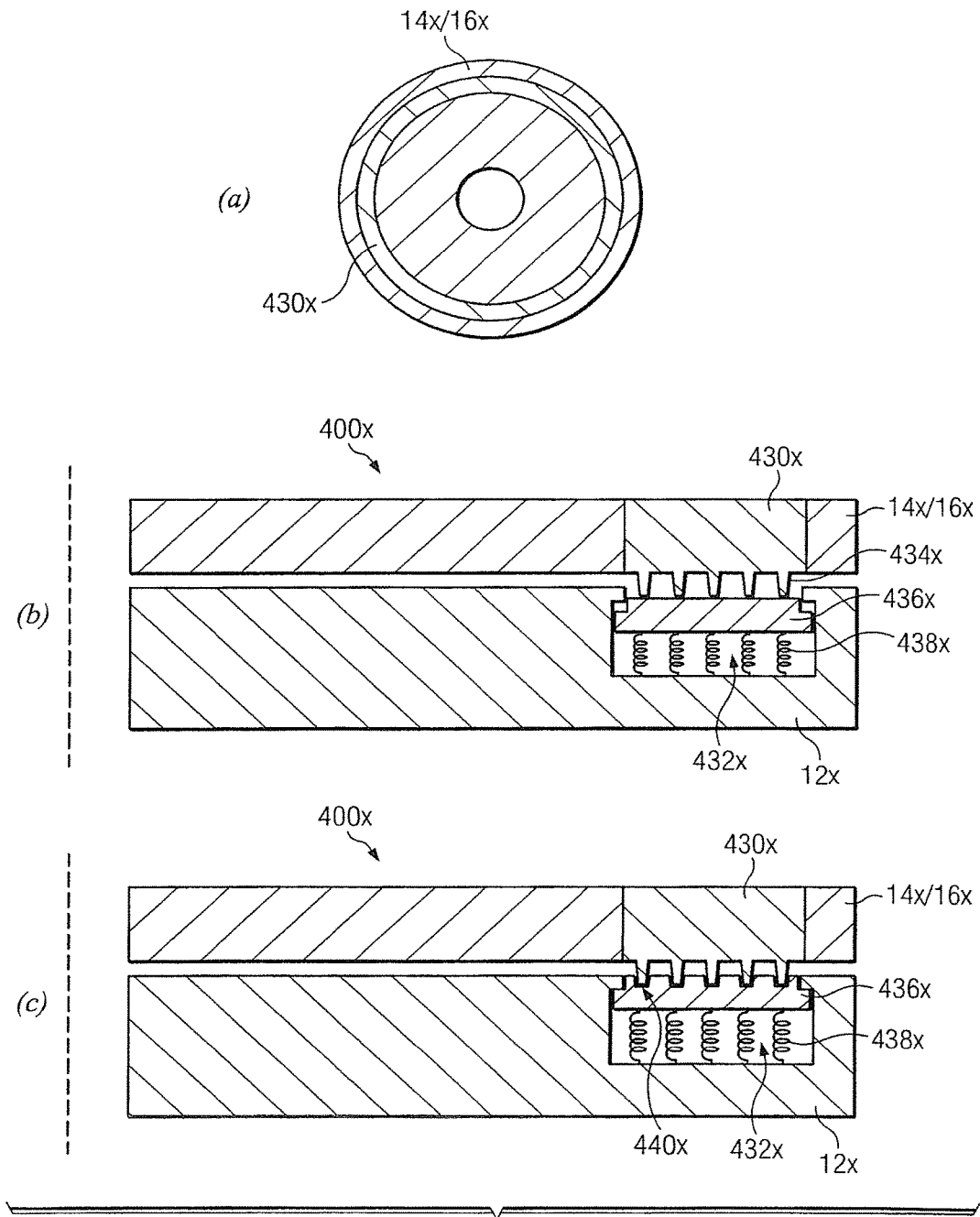


FIG. 29



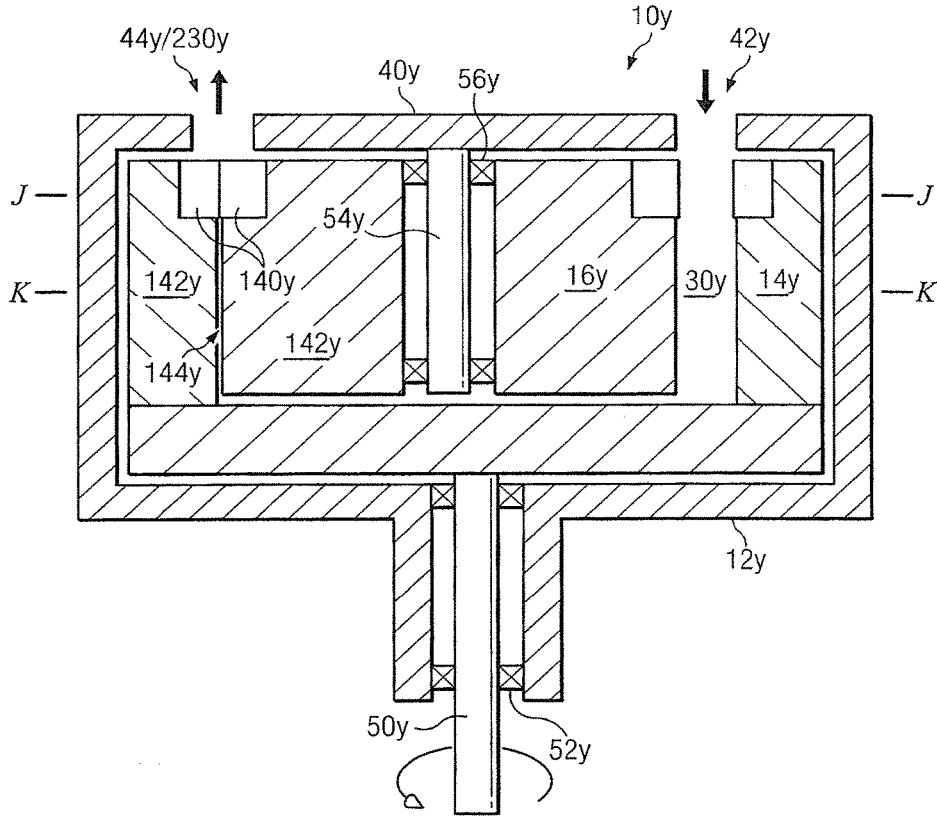


FIG. 30

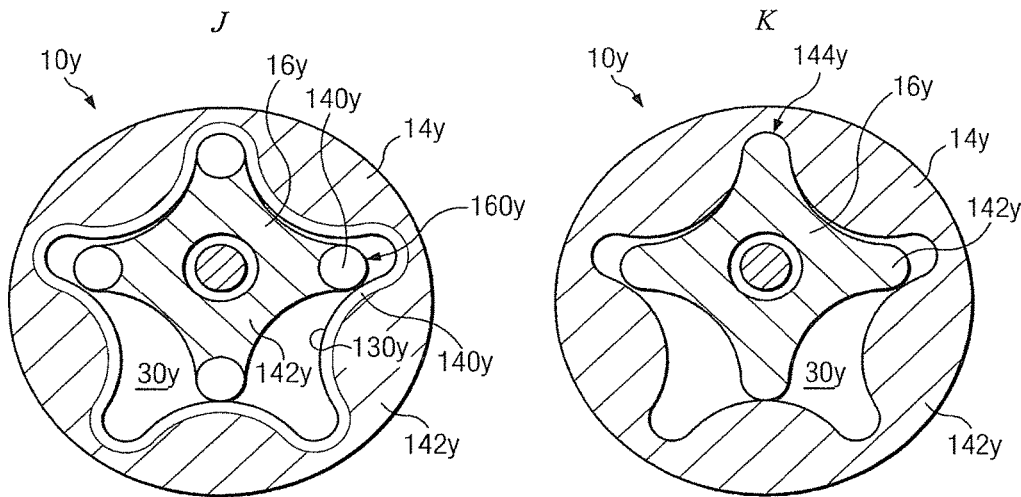


FIG. 31A

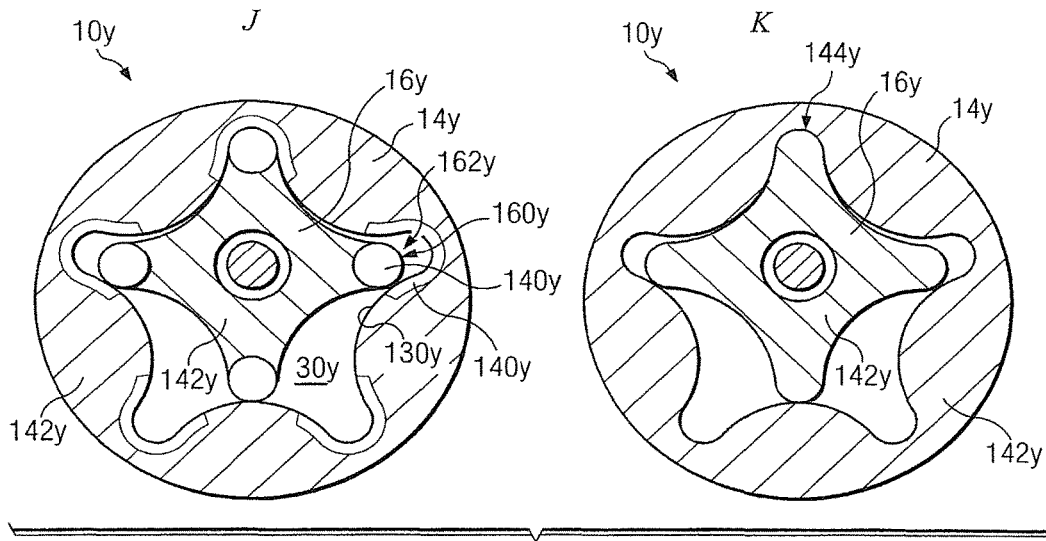


FIG. 31B

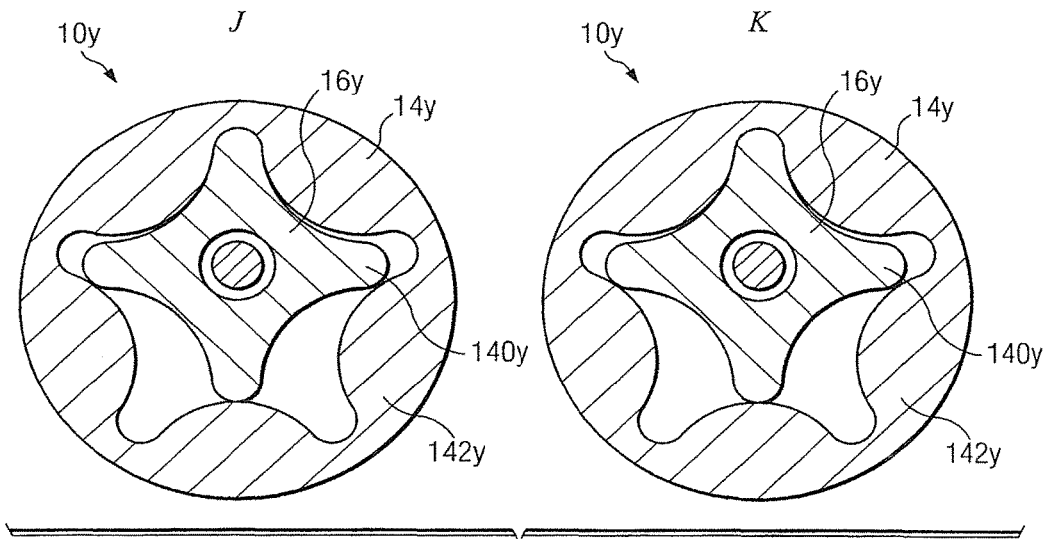


FIG. 31C

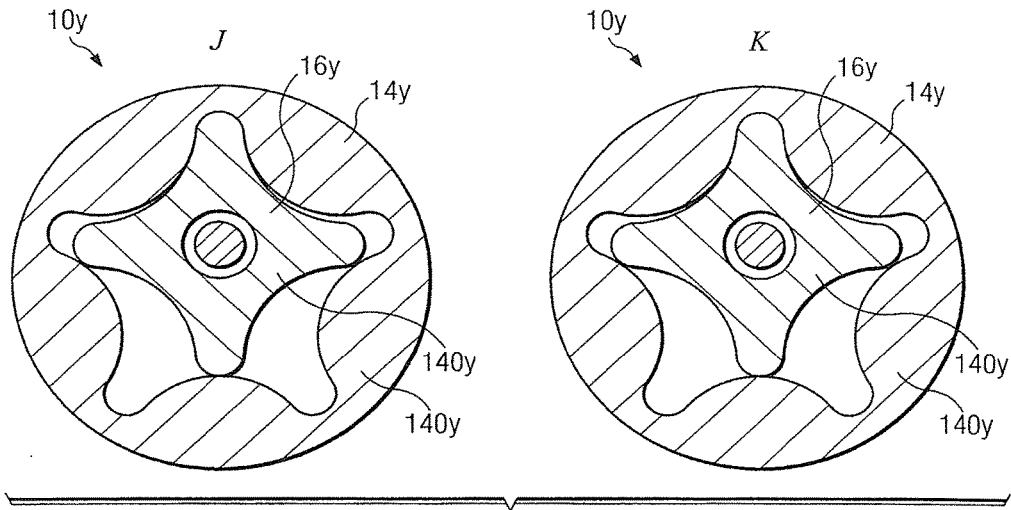


FIG. 31D

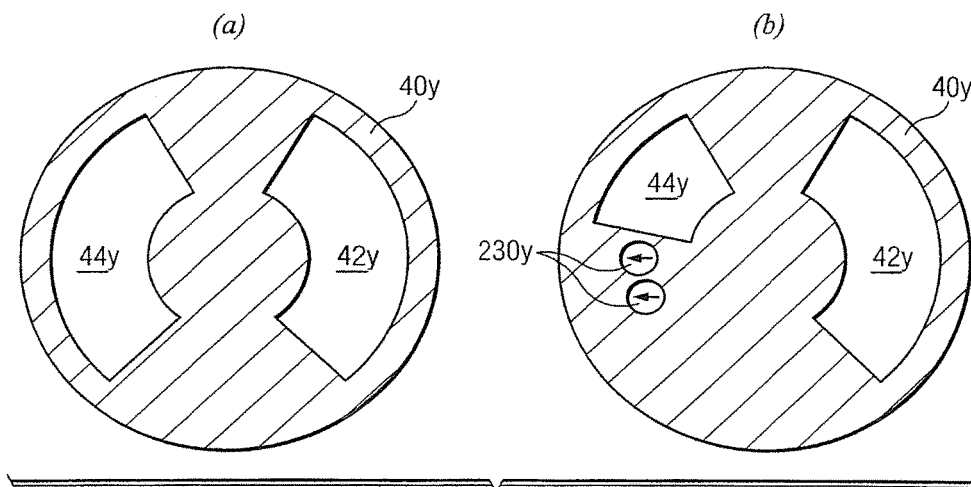


FIG. 32

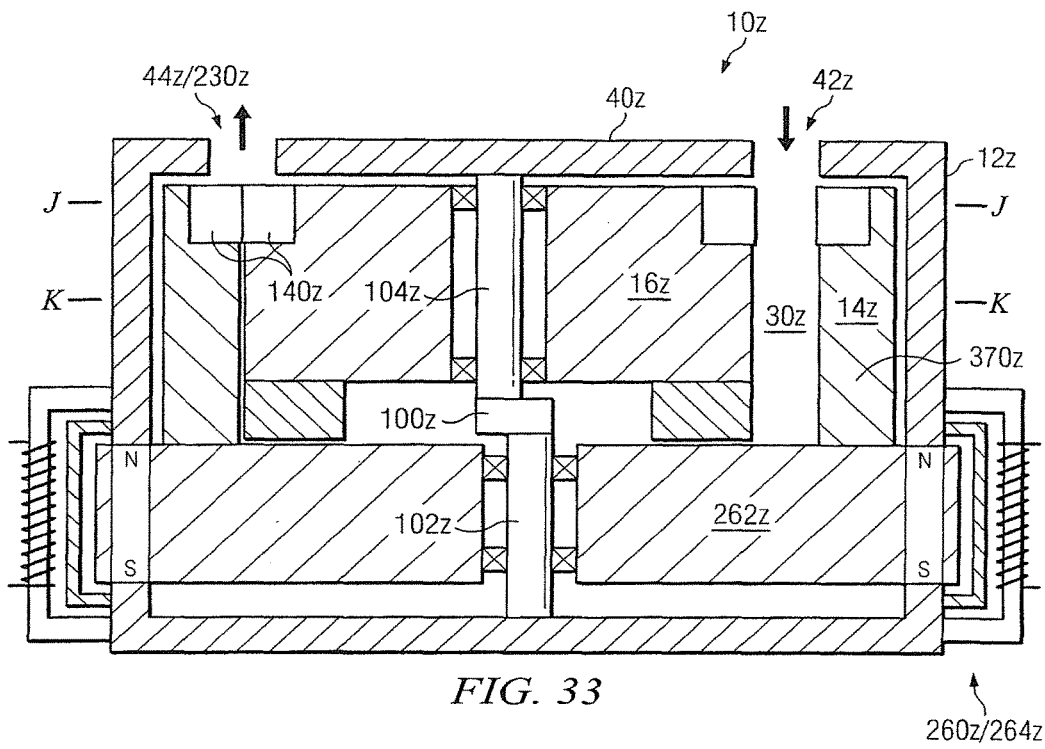


FIG. 33

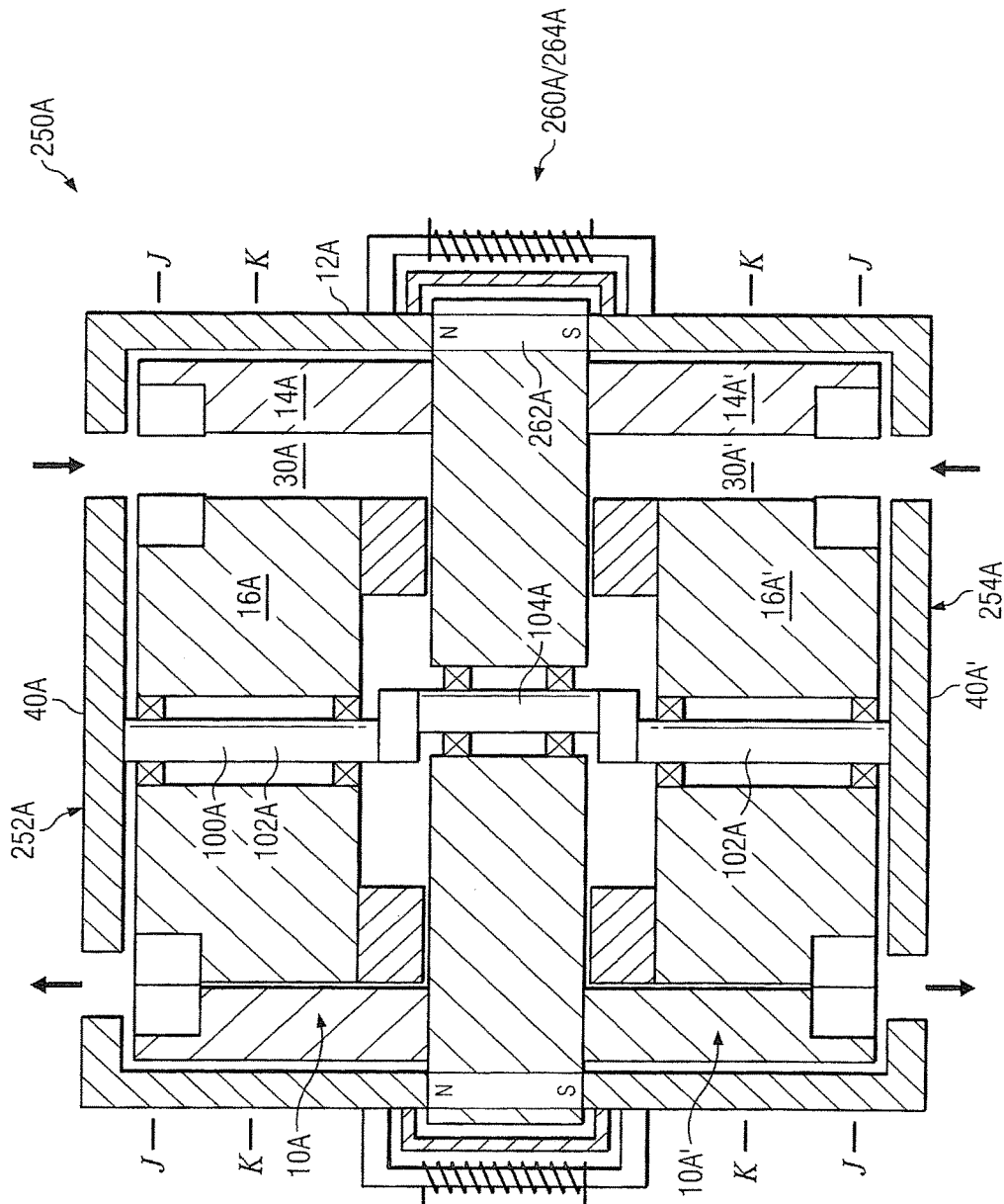


FIG. 34

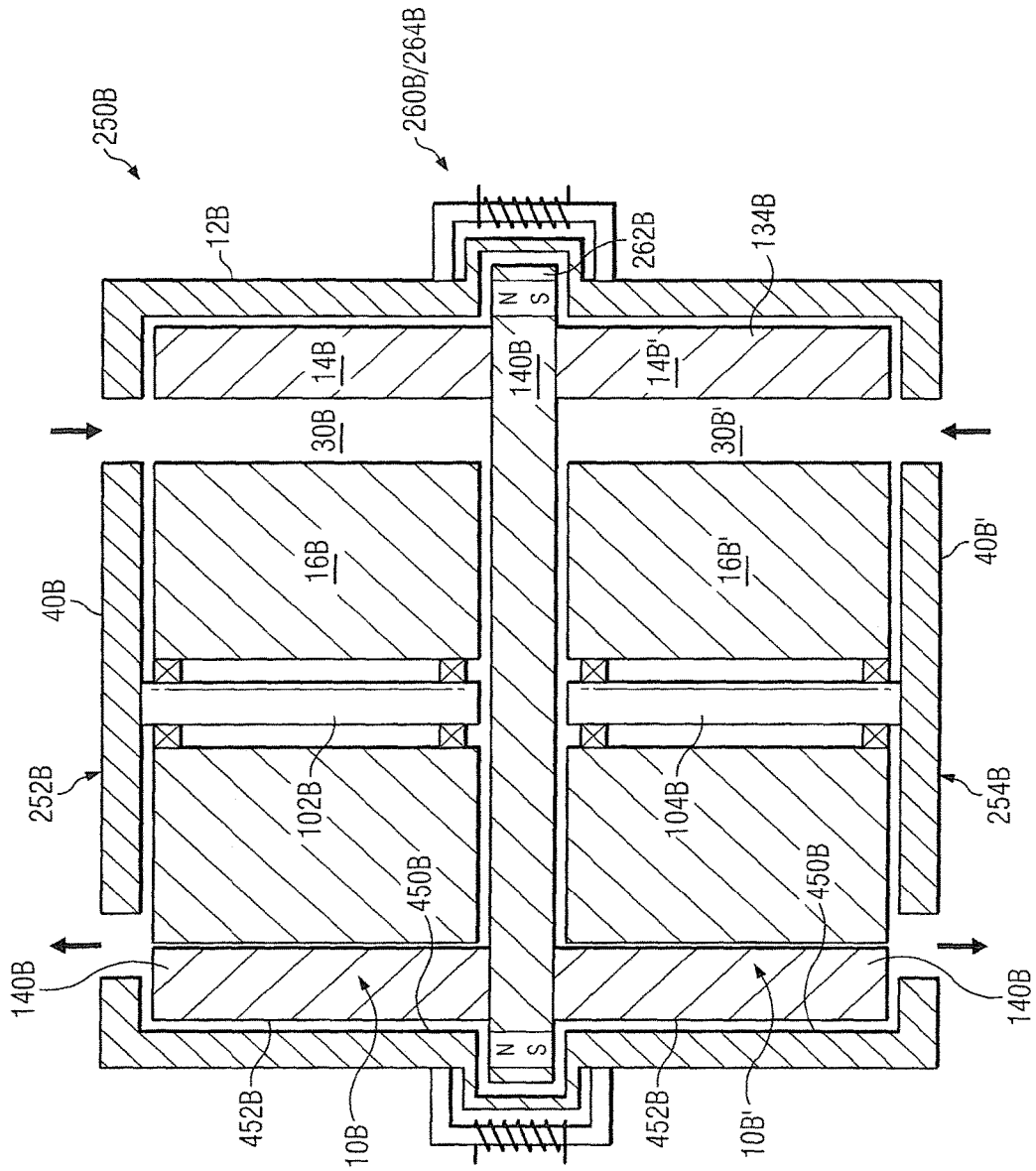


FIG. 35A

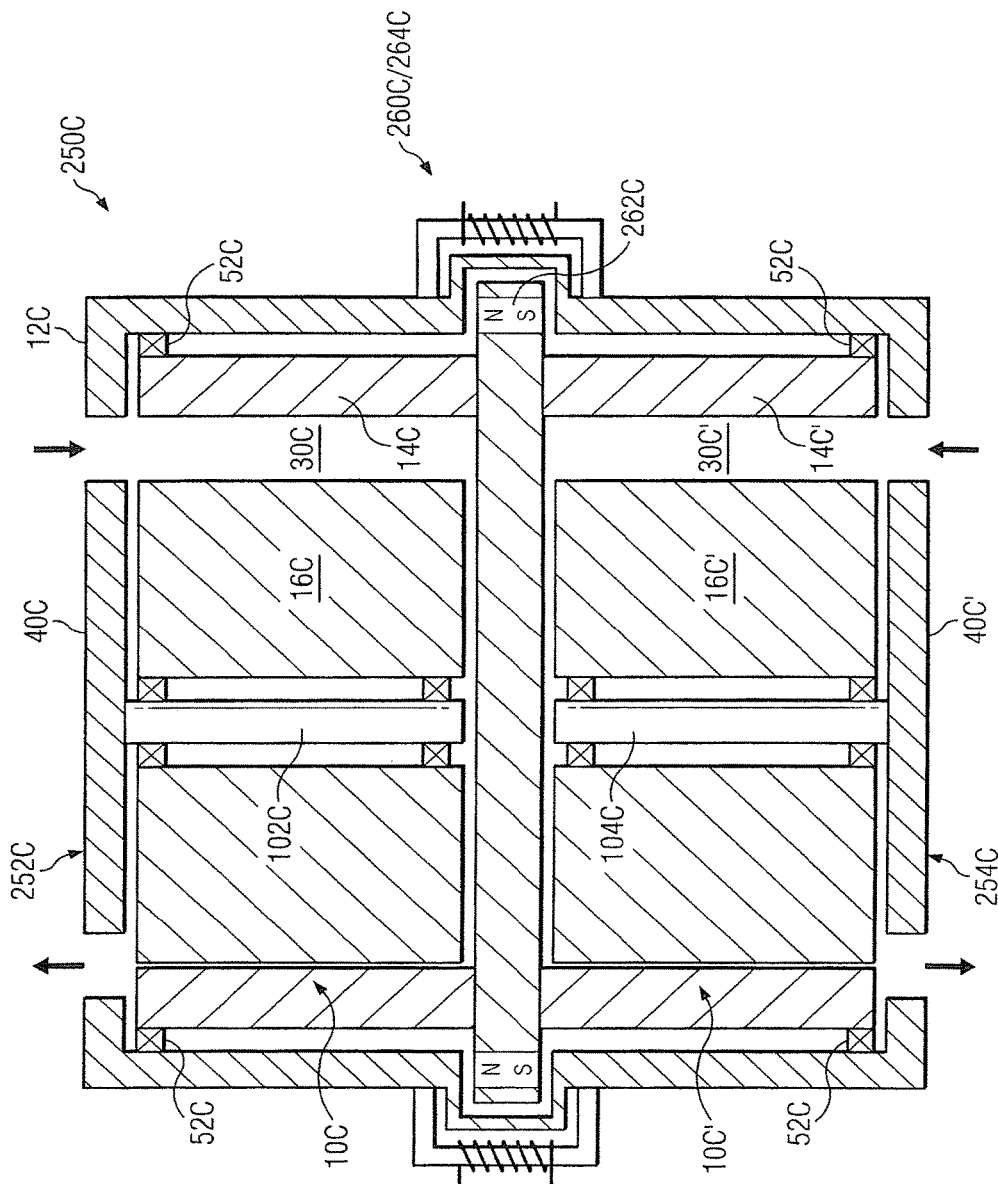


FIG. 35B

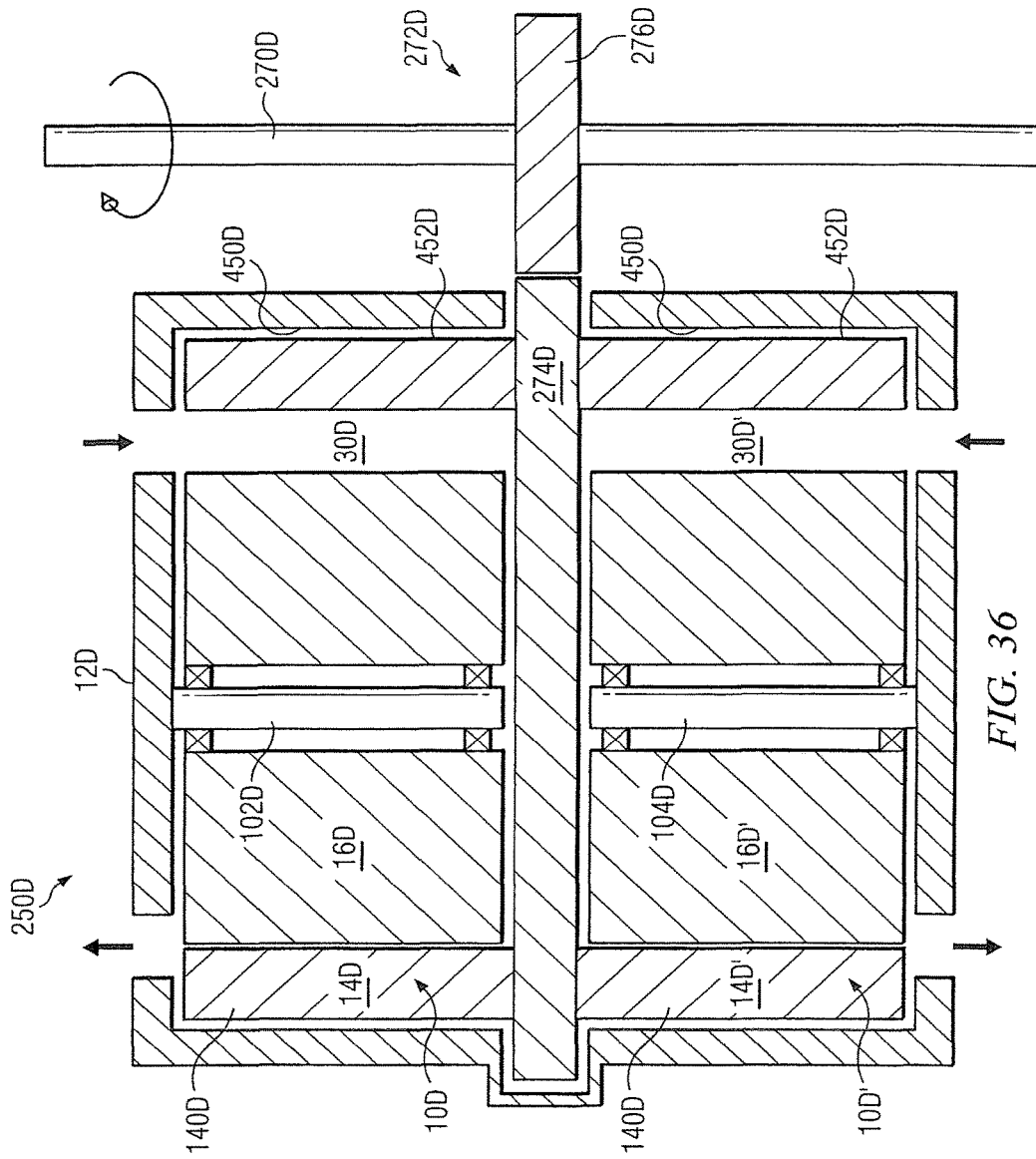
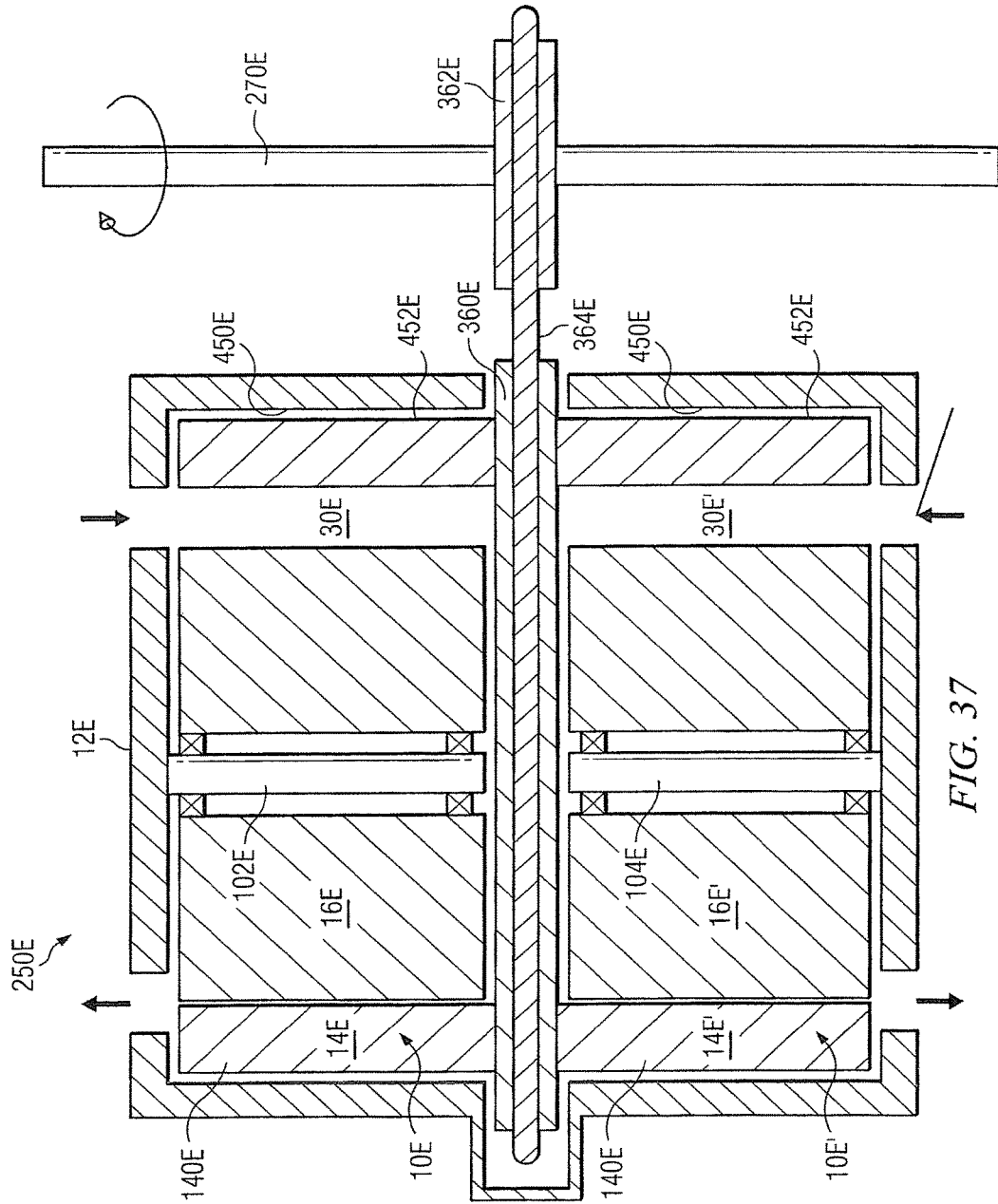


FIG. 36





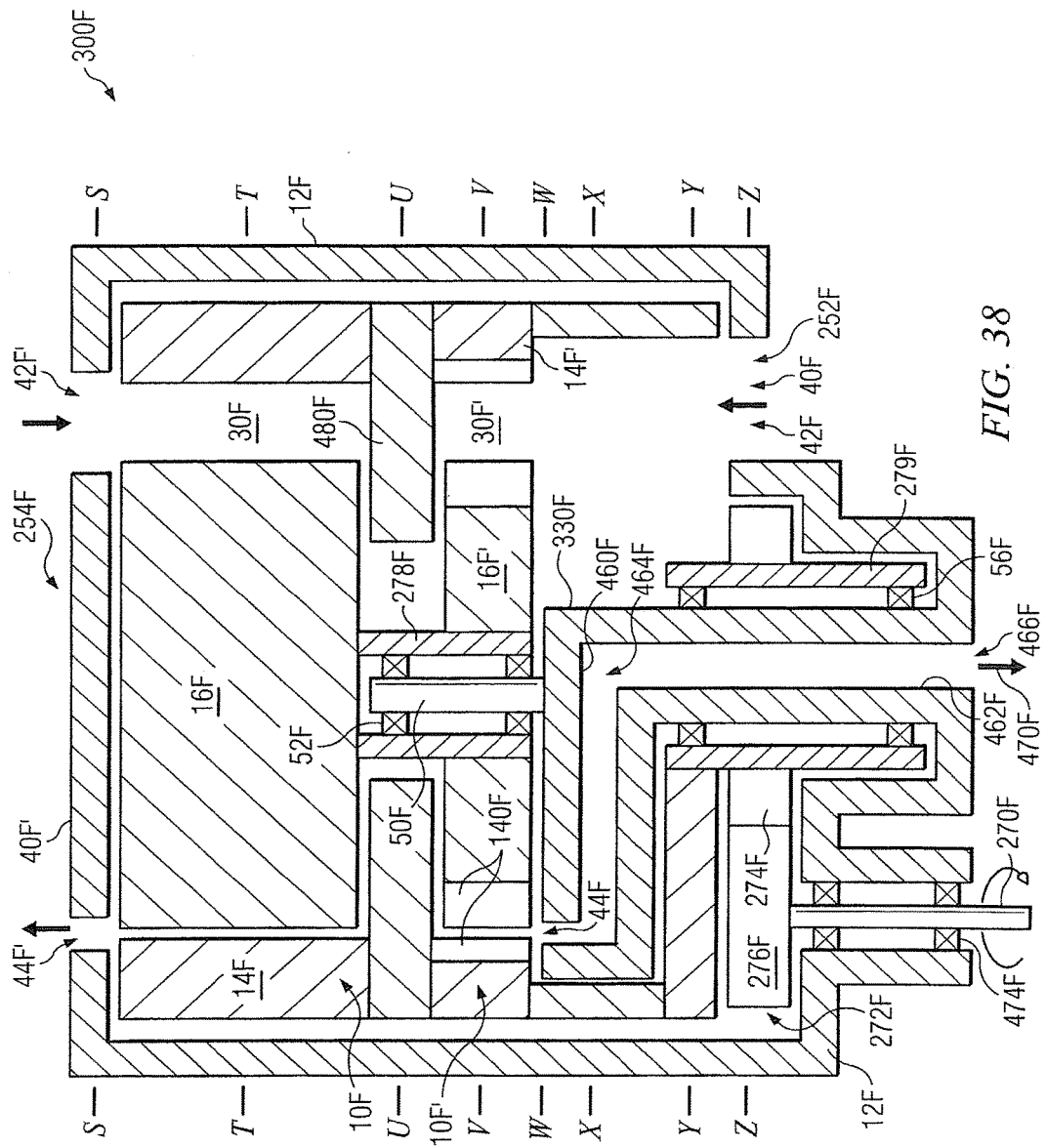


FIG. 38

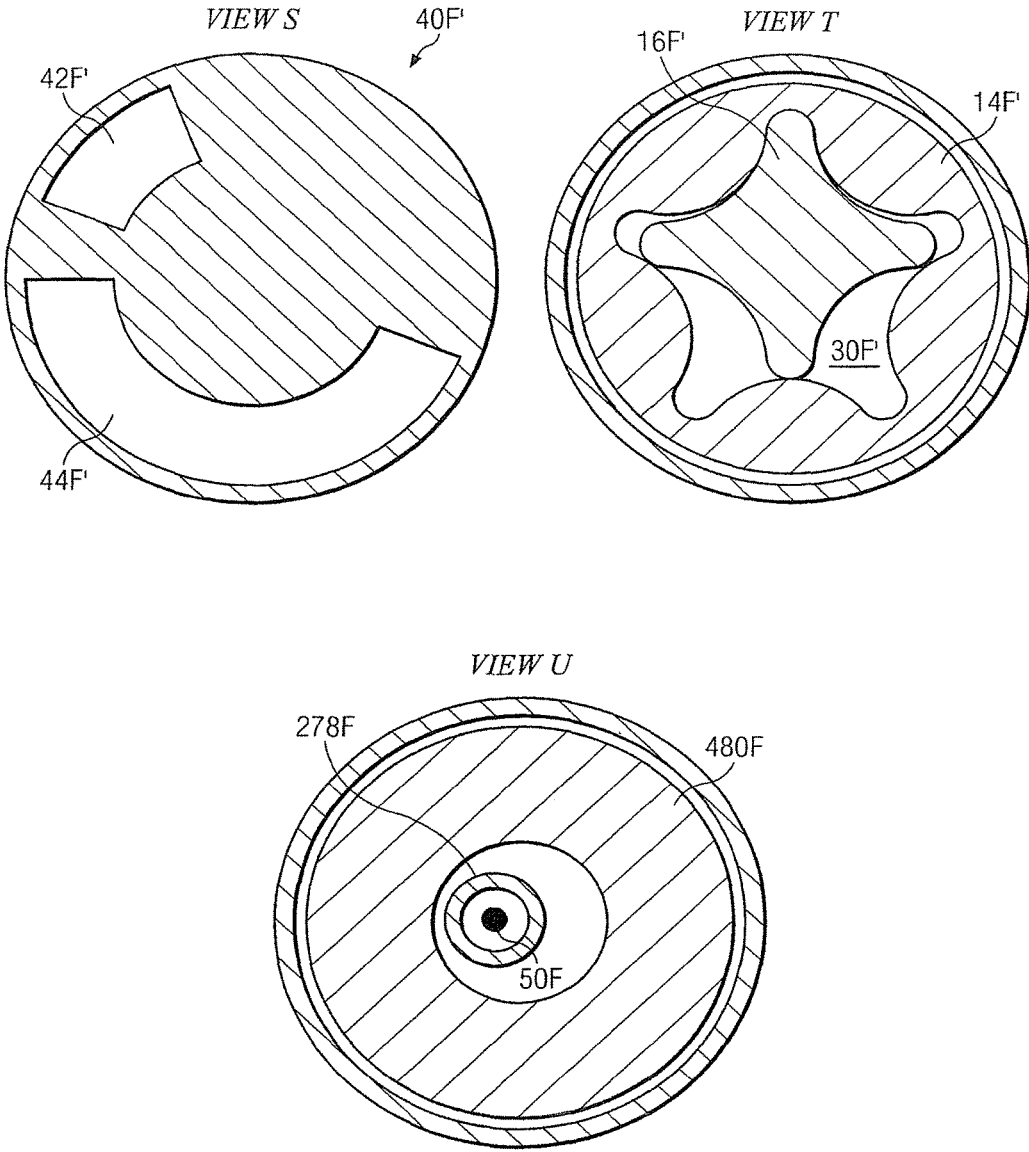
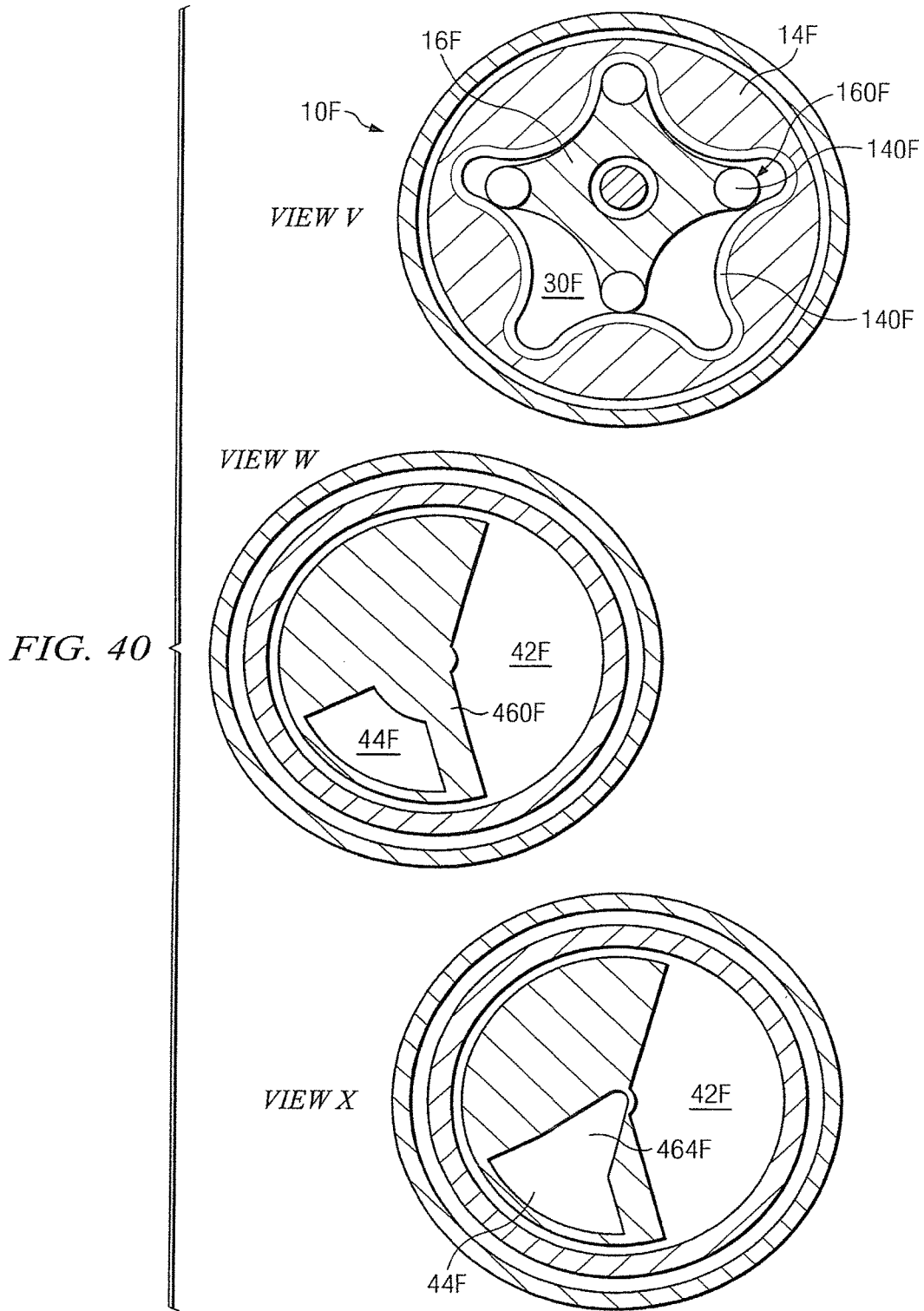
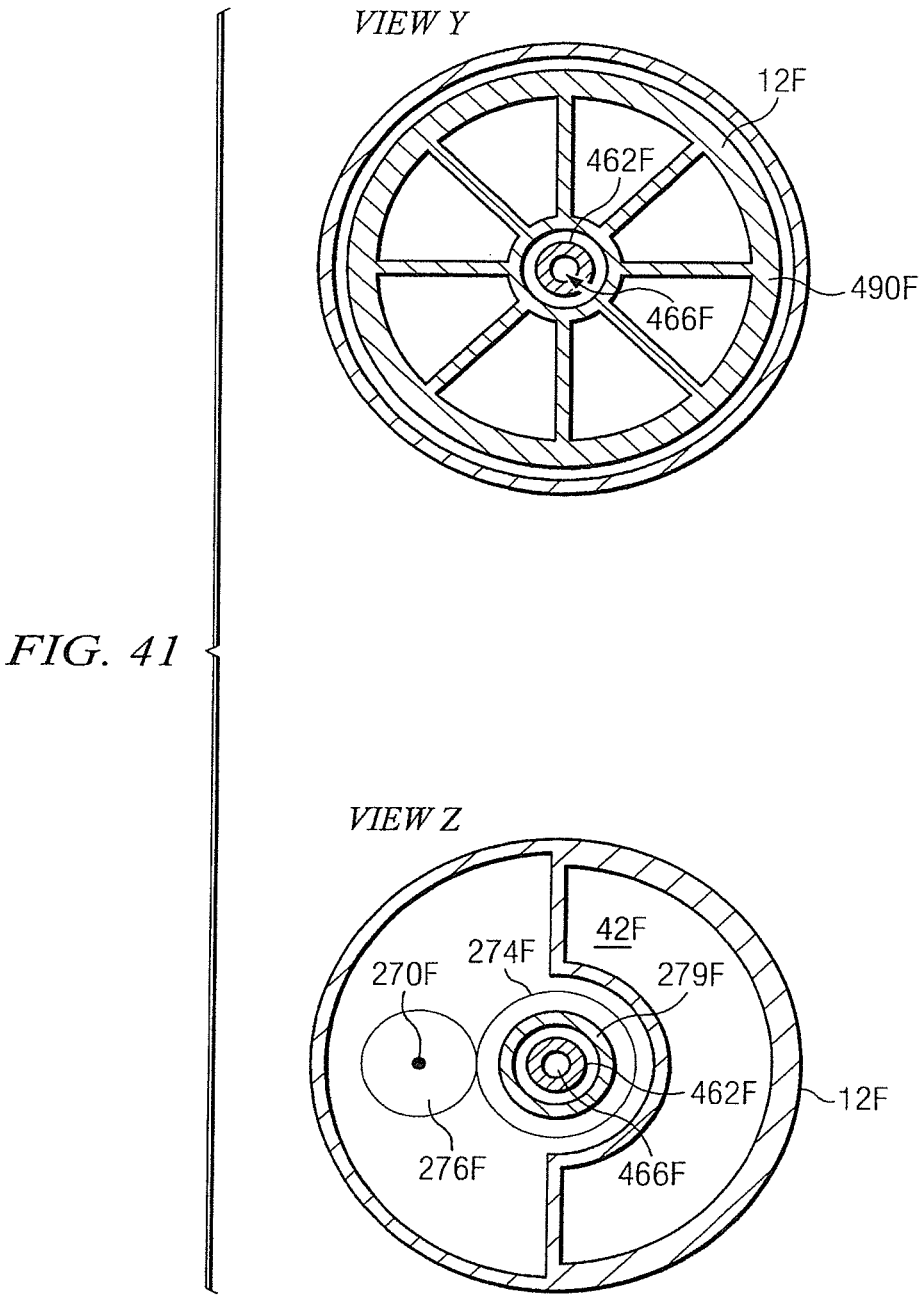


FIG. 39





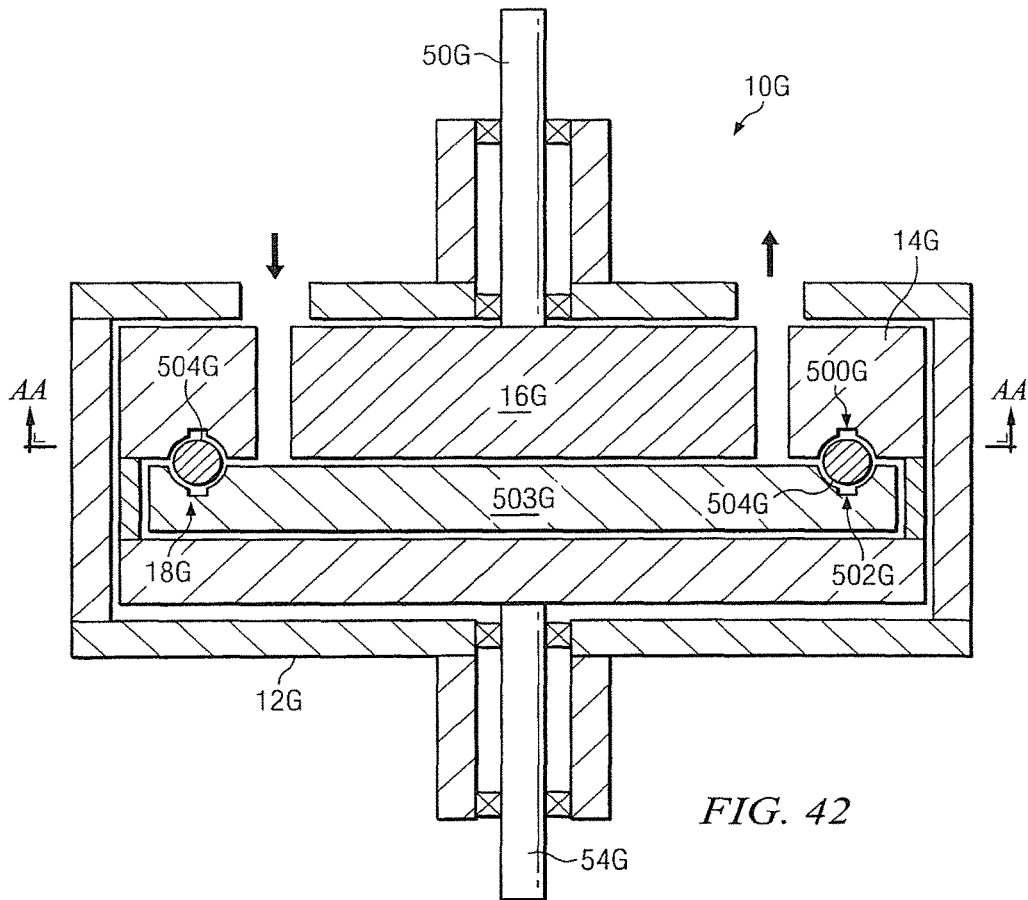


FIG. 42

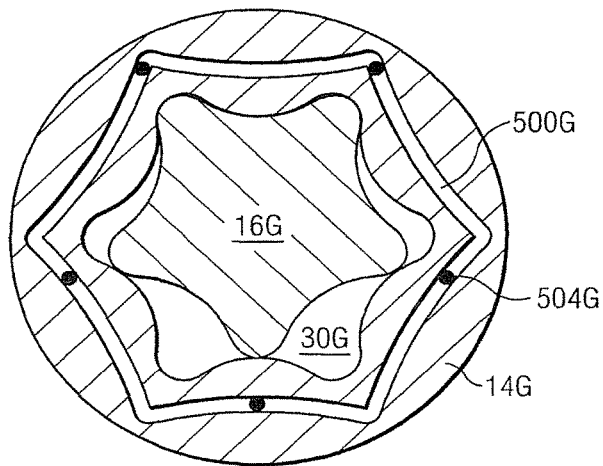


FIG. 43

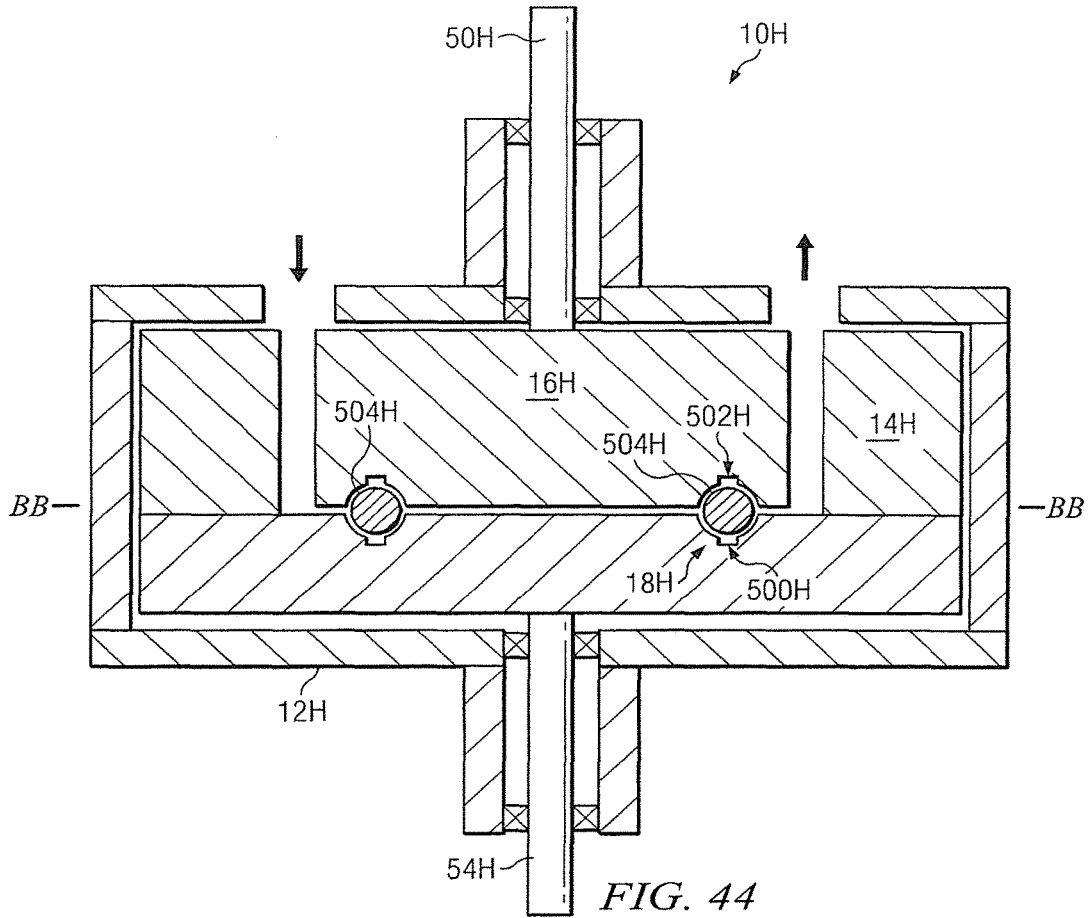


FIG. 44

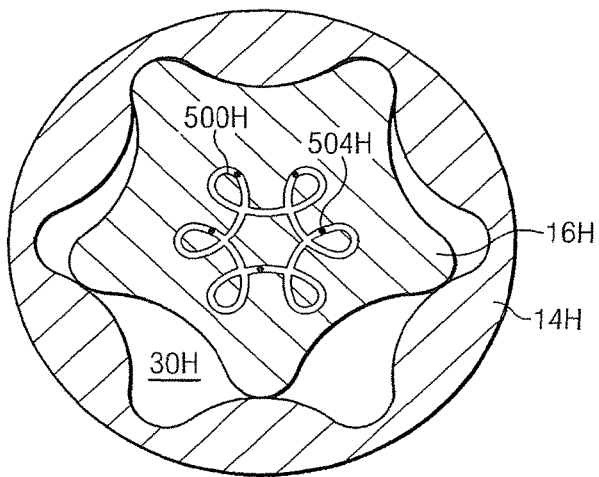


FIG. 45

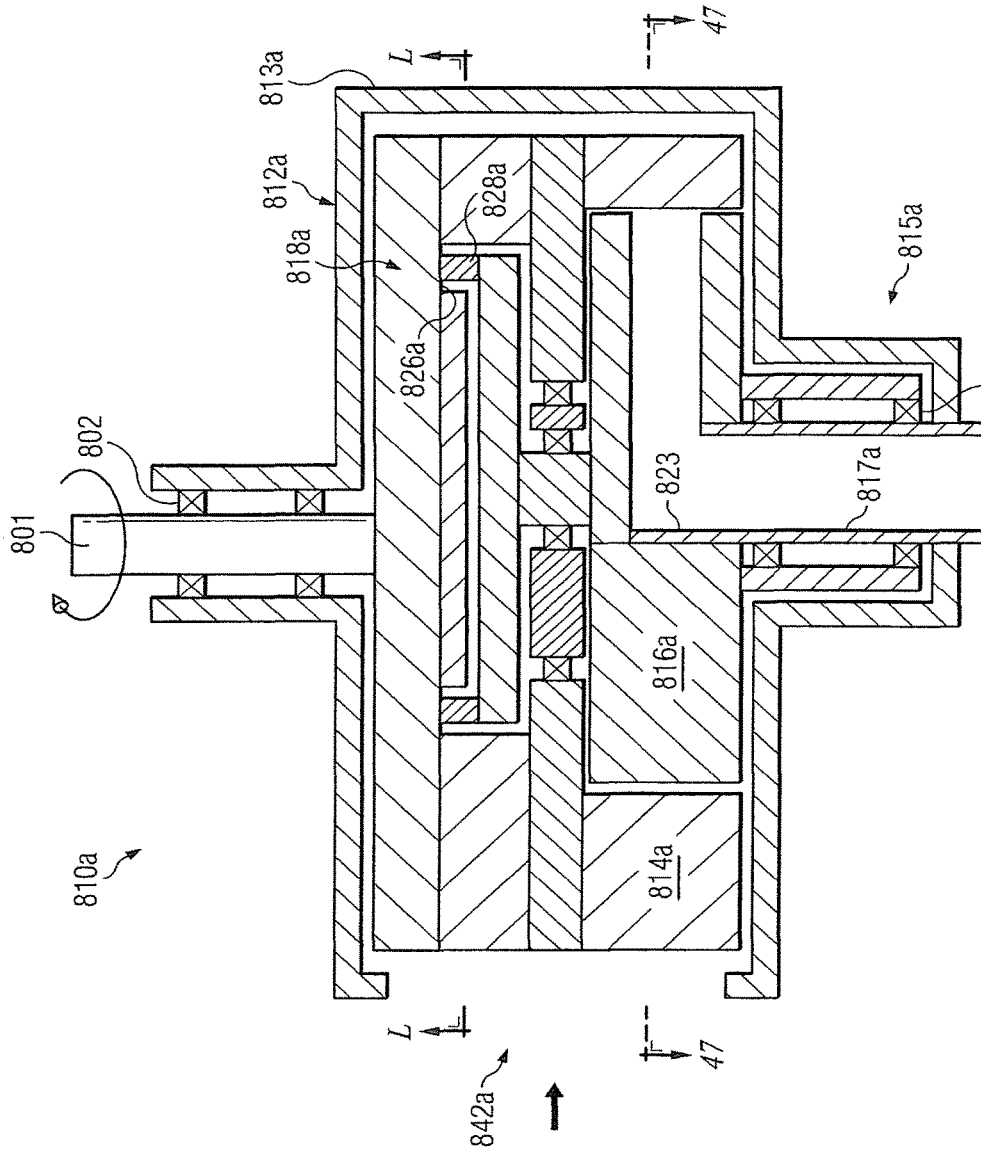


FIG. 46



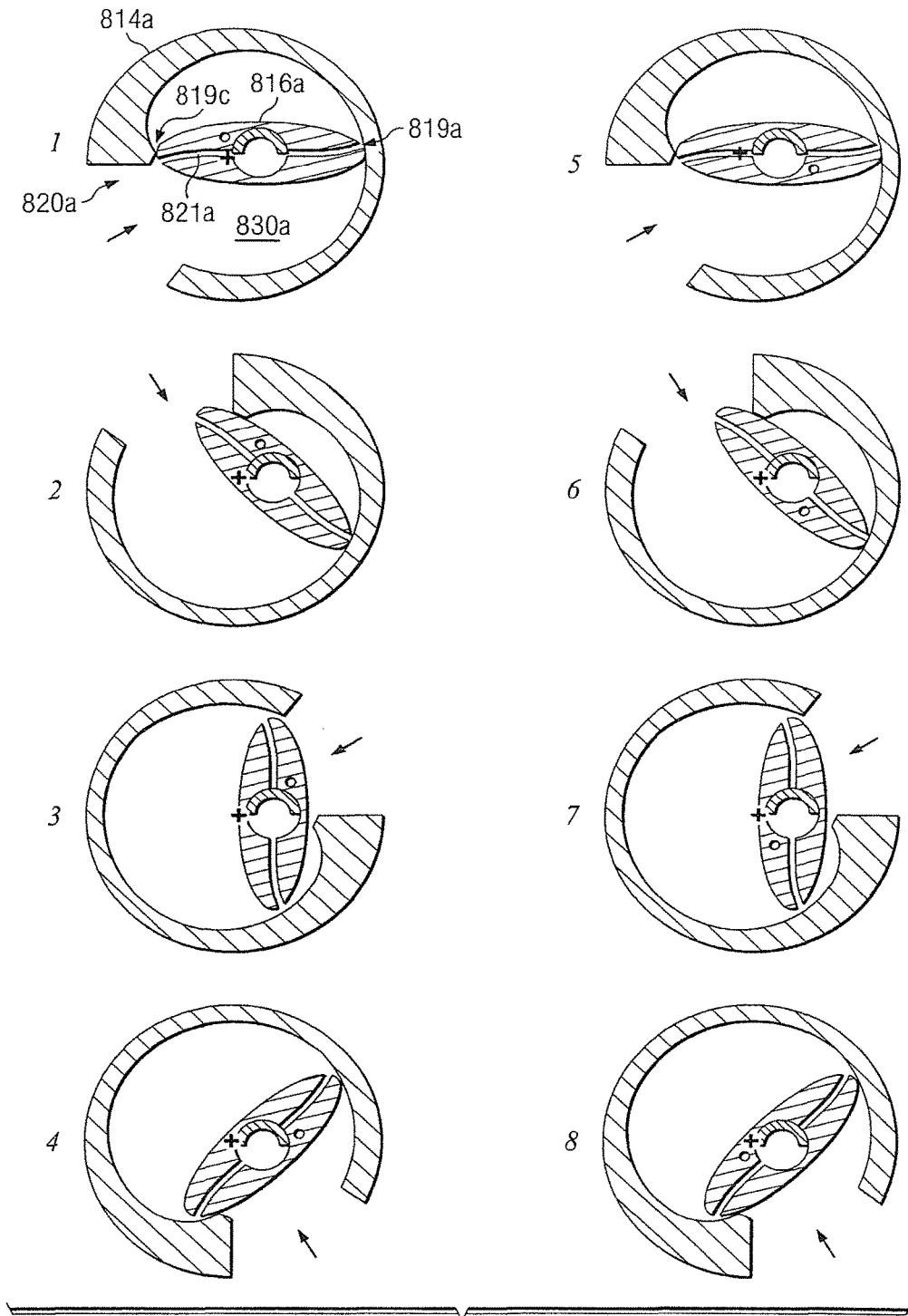


FIG. 47

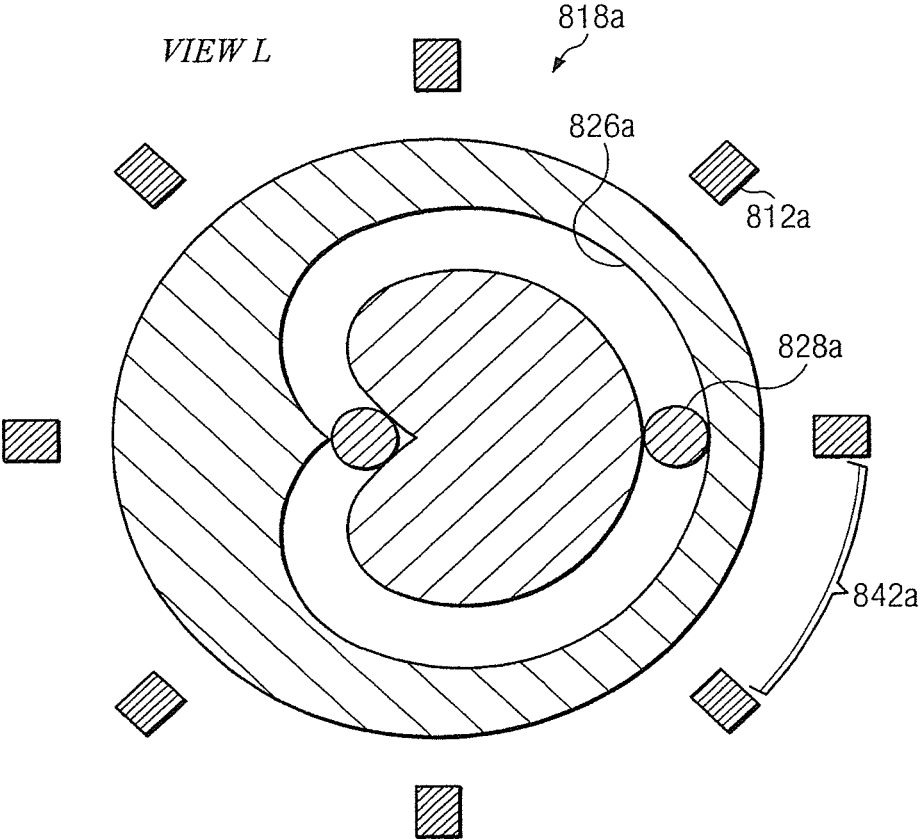


FIG. 48

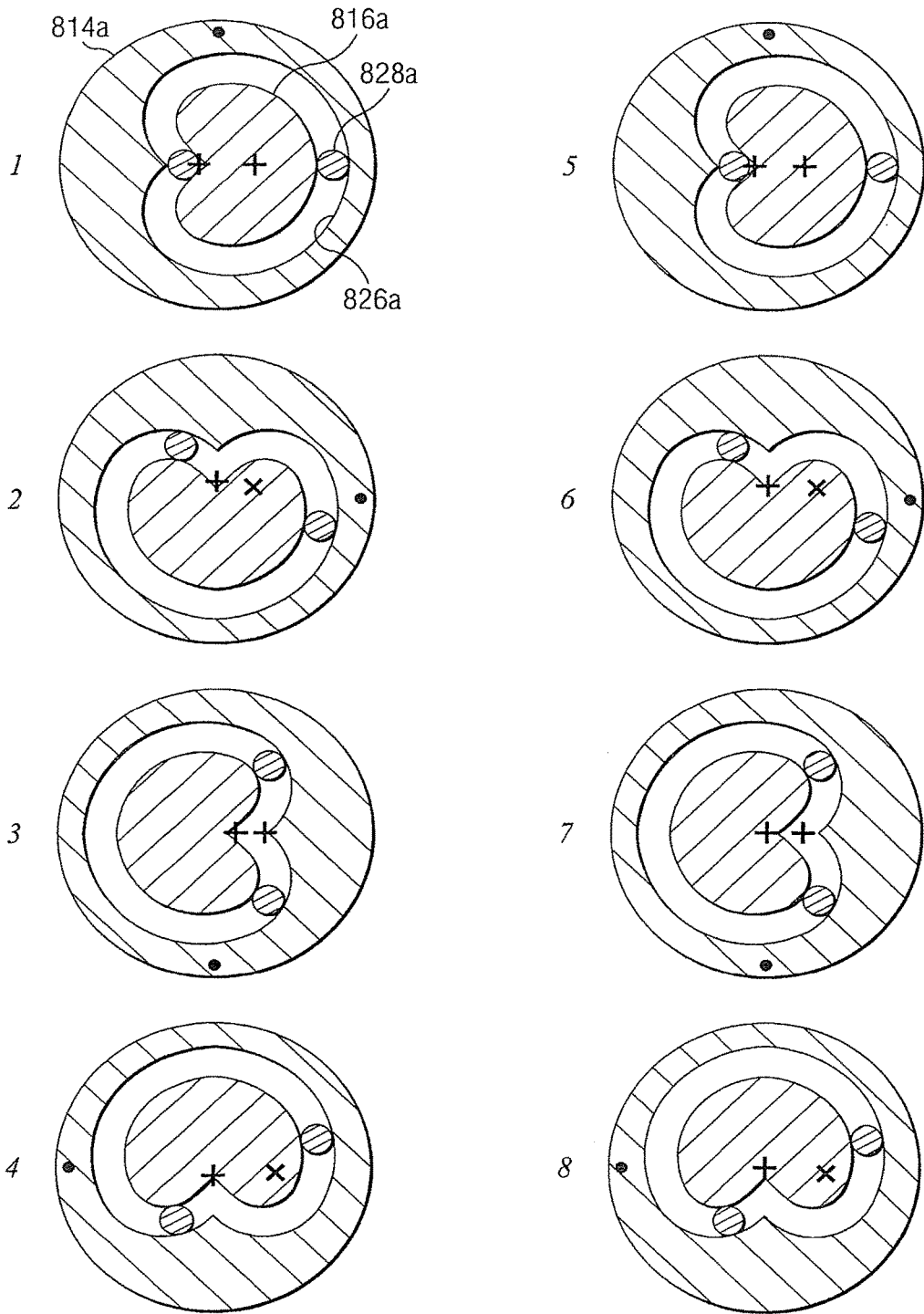


FIG. 49

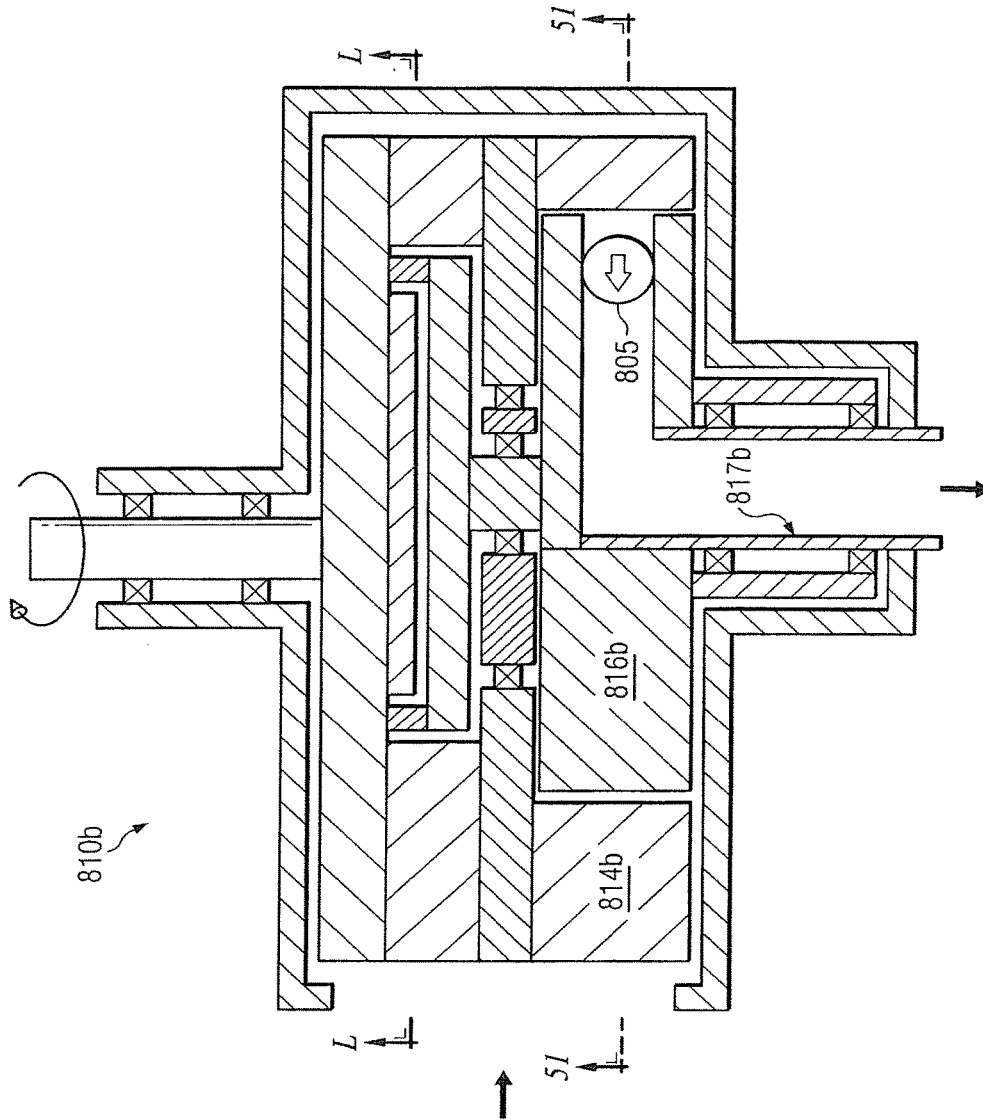


FIG. 50

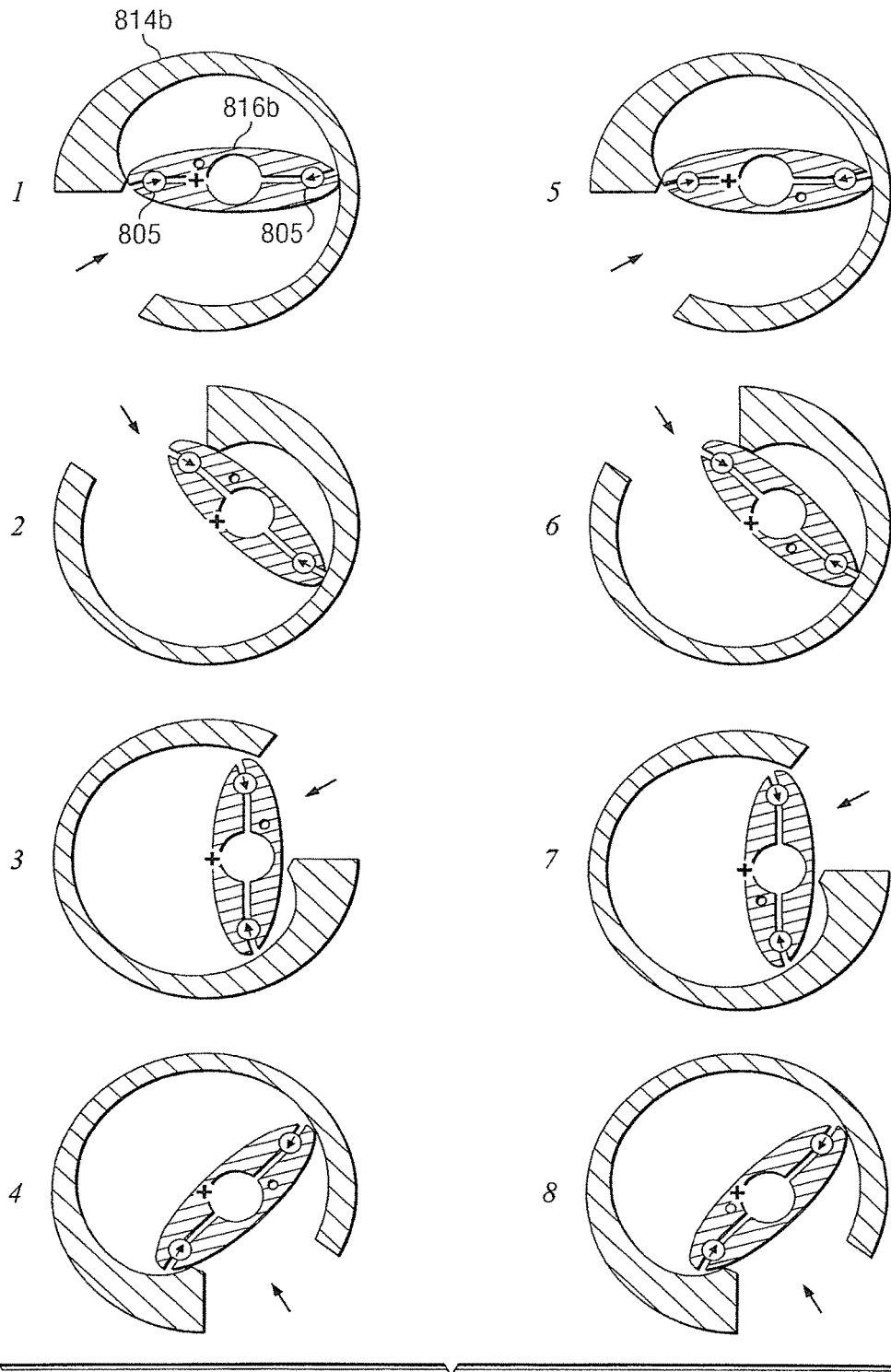


FIG. 51

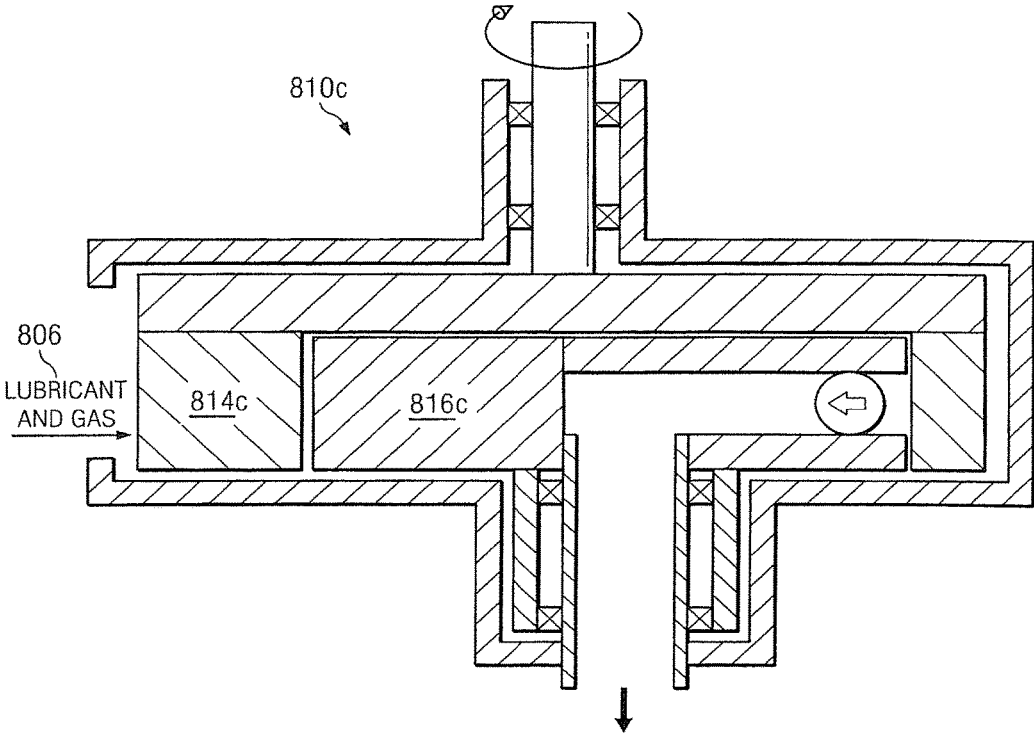
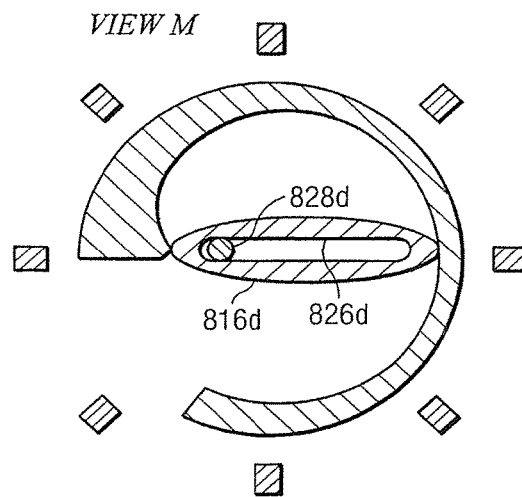
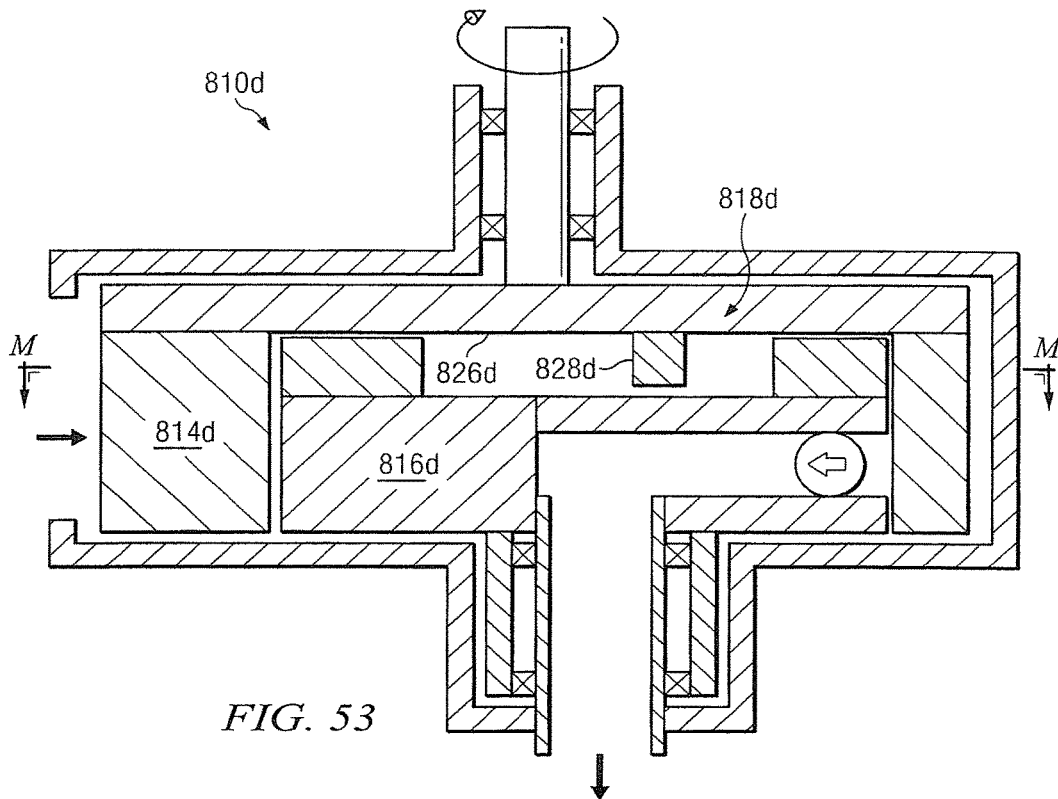


FIG. 52



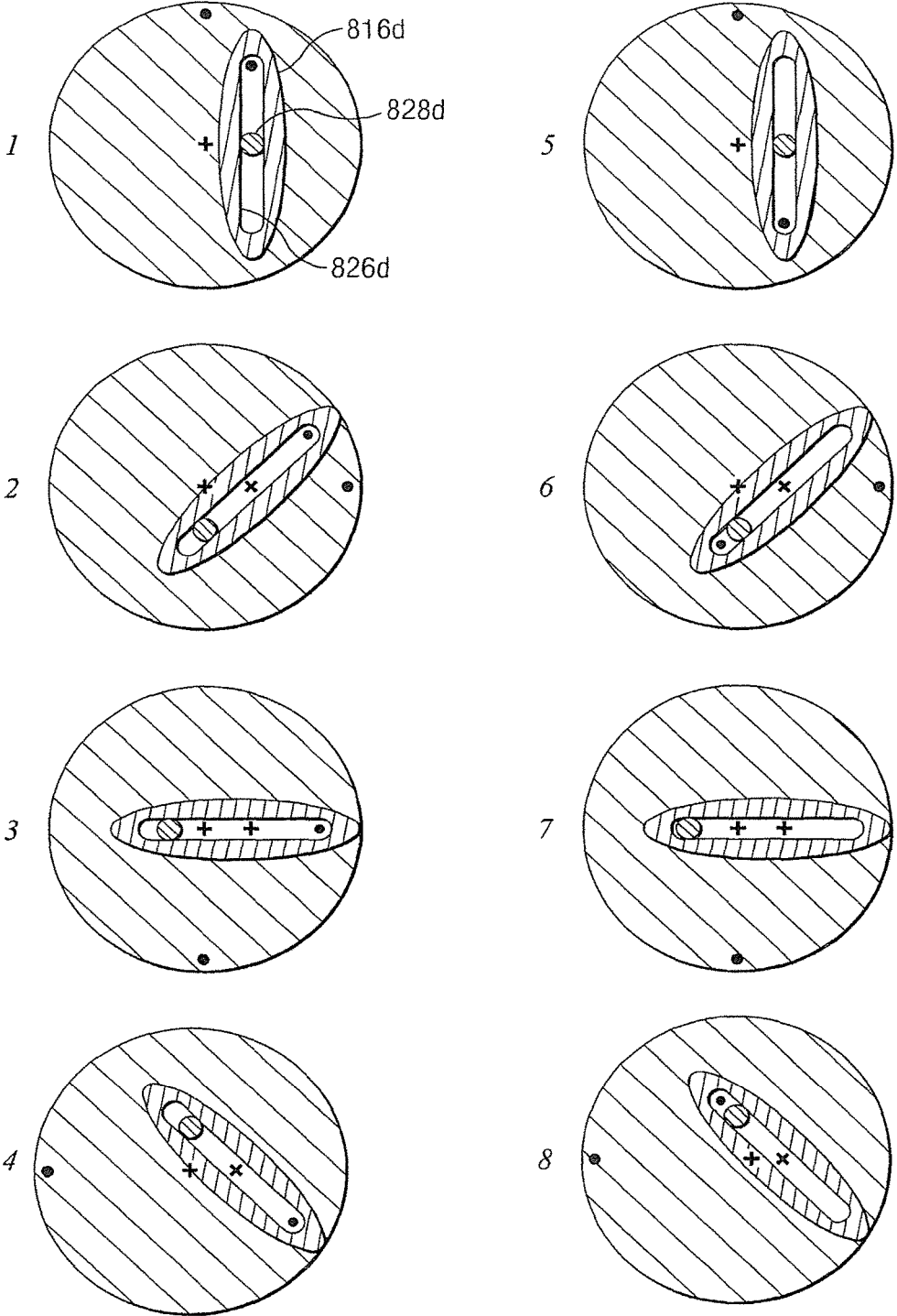


FIG. 55



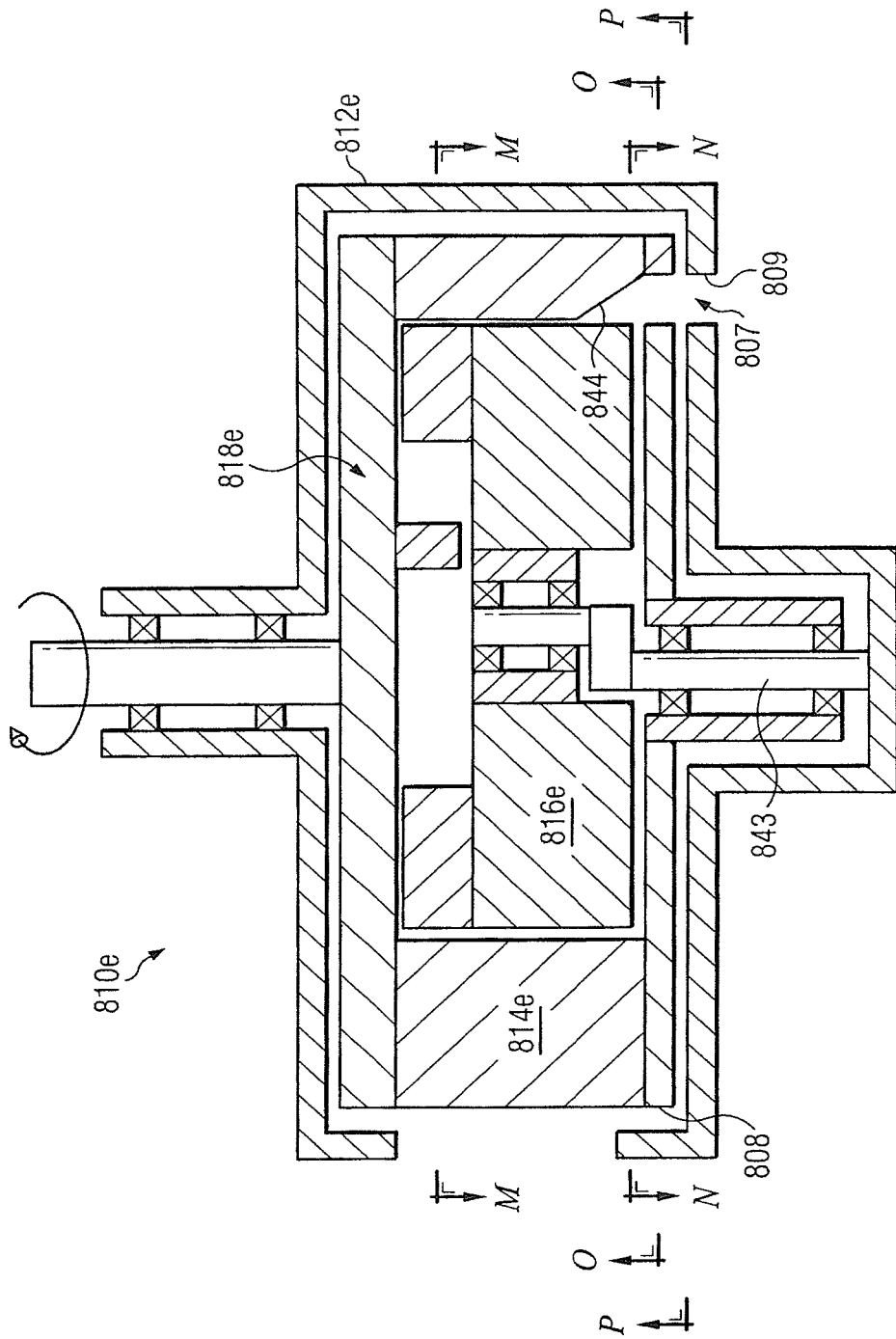


FIG. 56

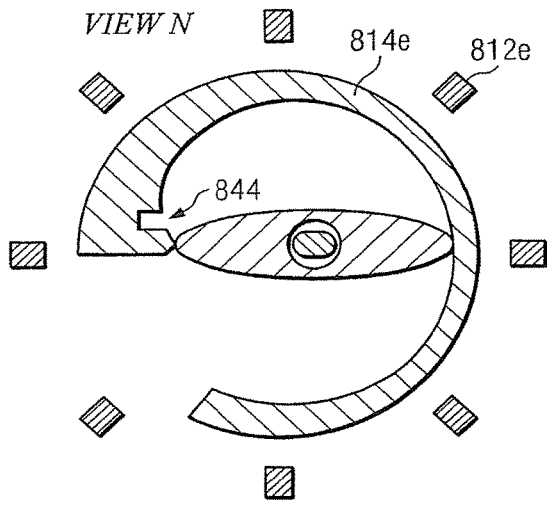


FIG. 57

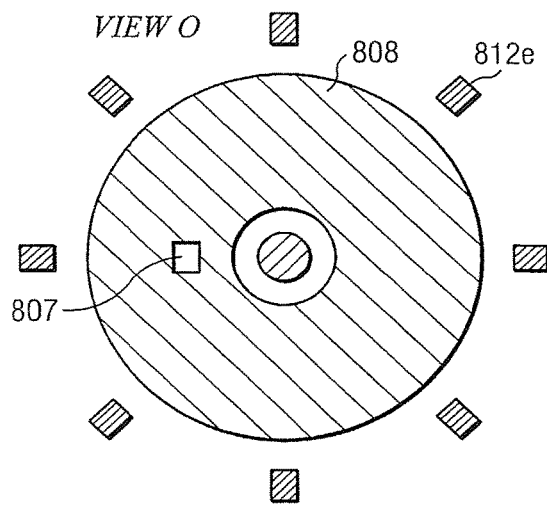


FIG. 58

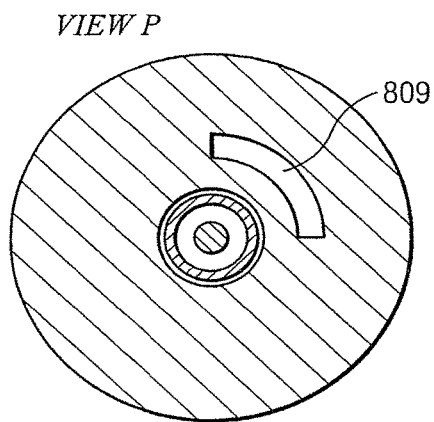


FIG. 59

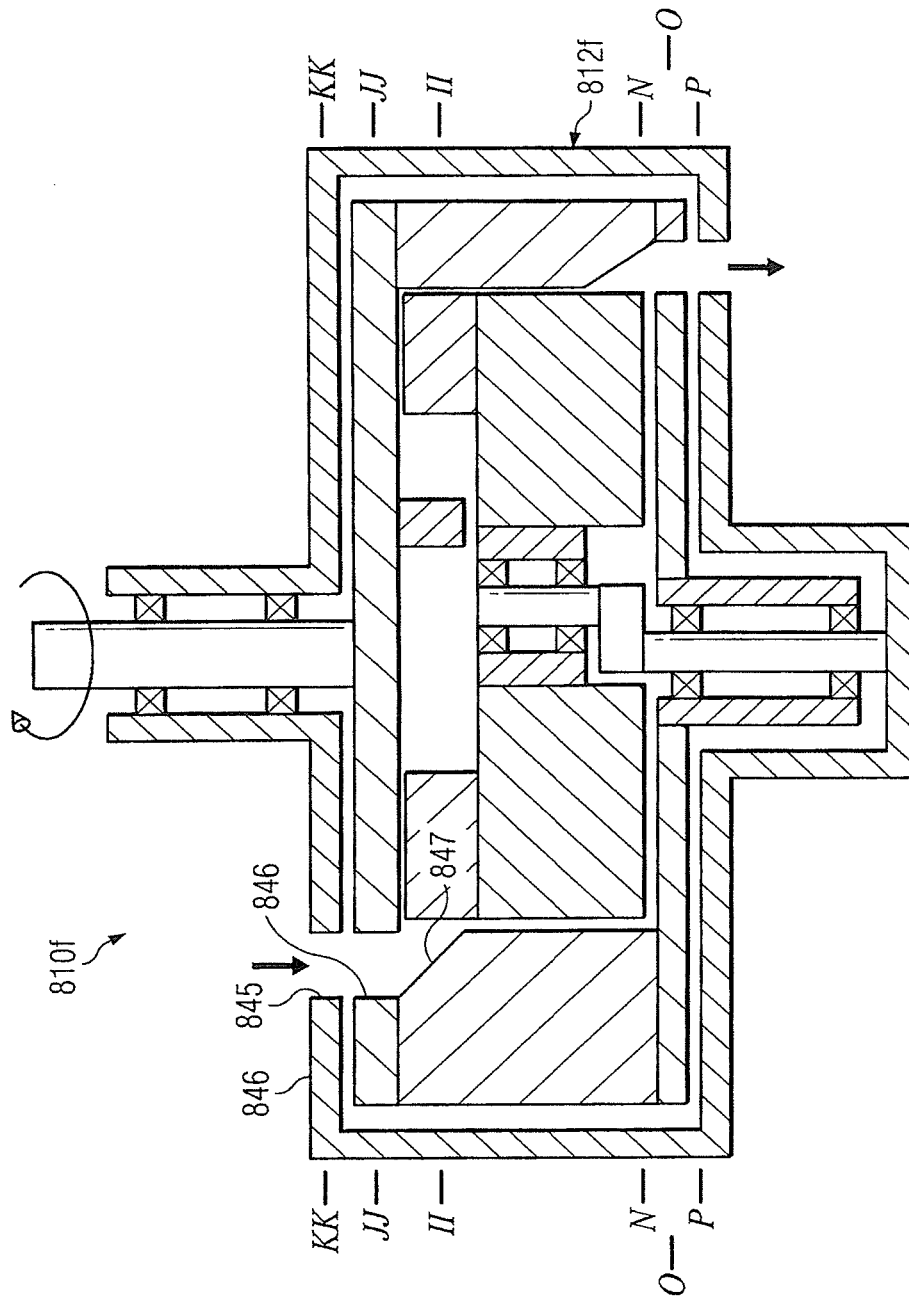
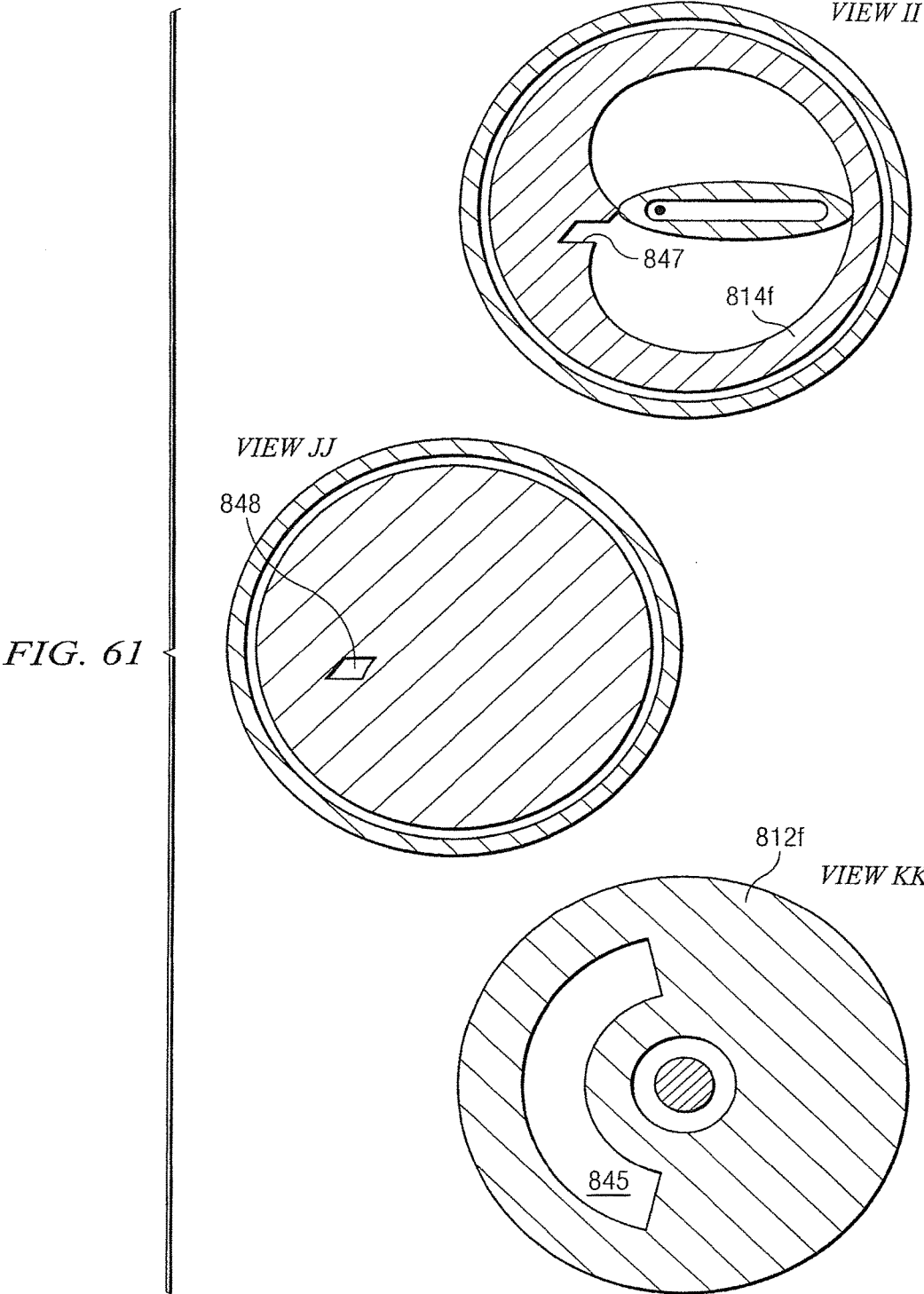


FIG. 60



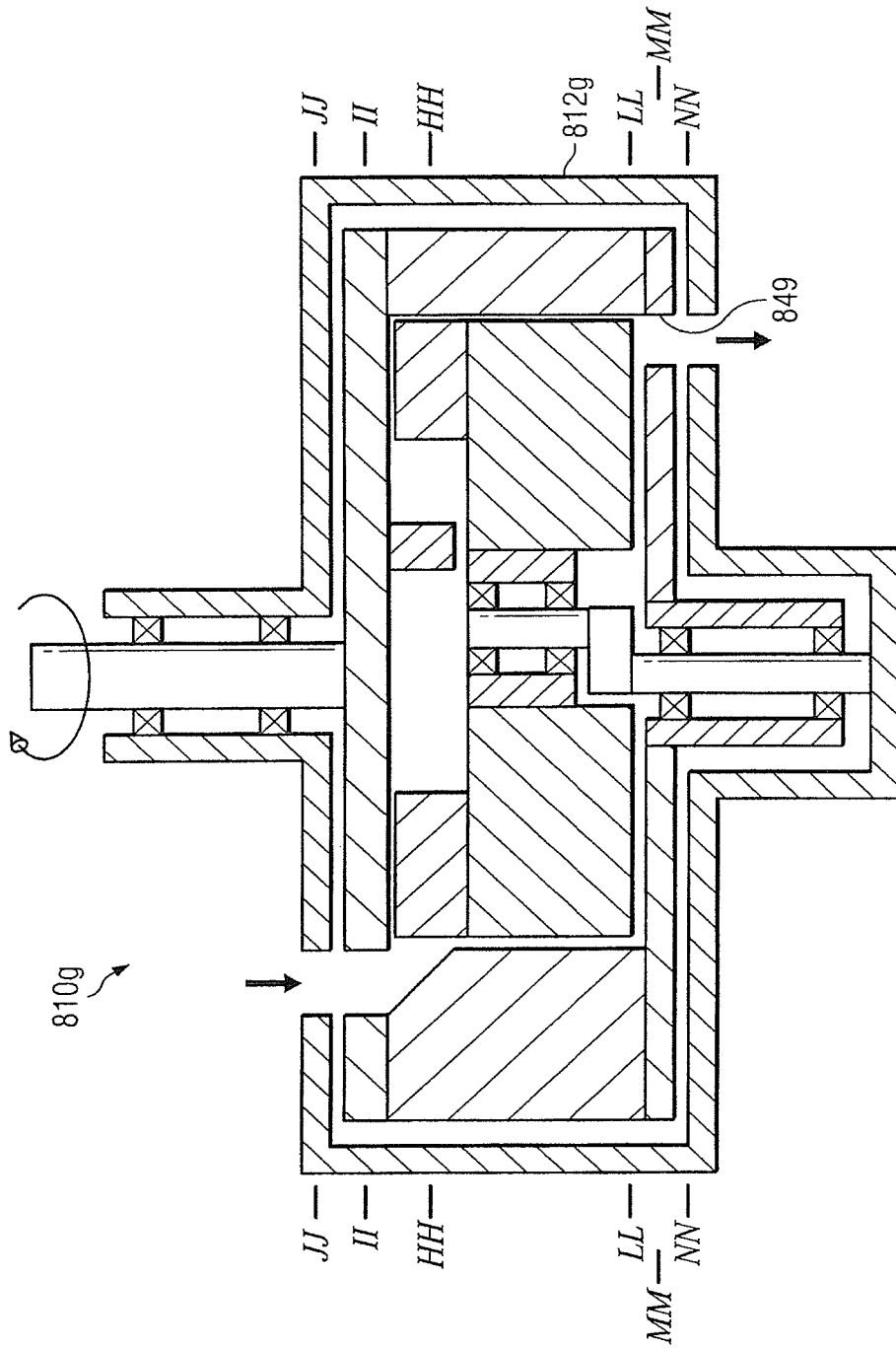
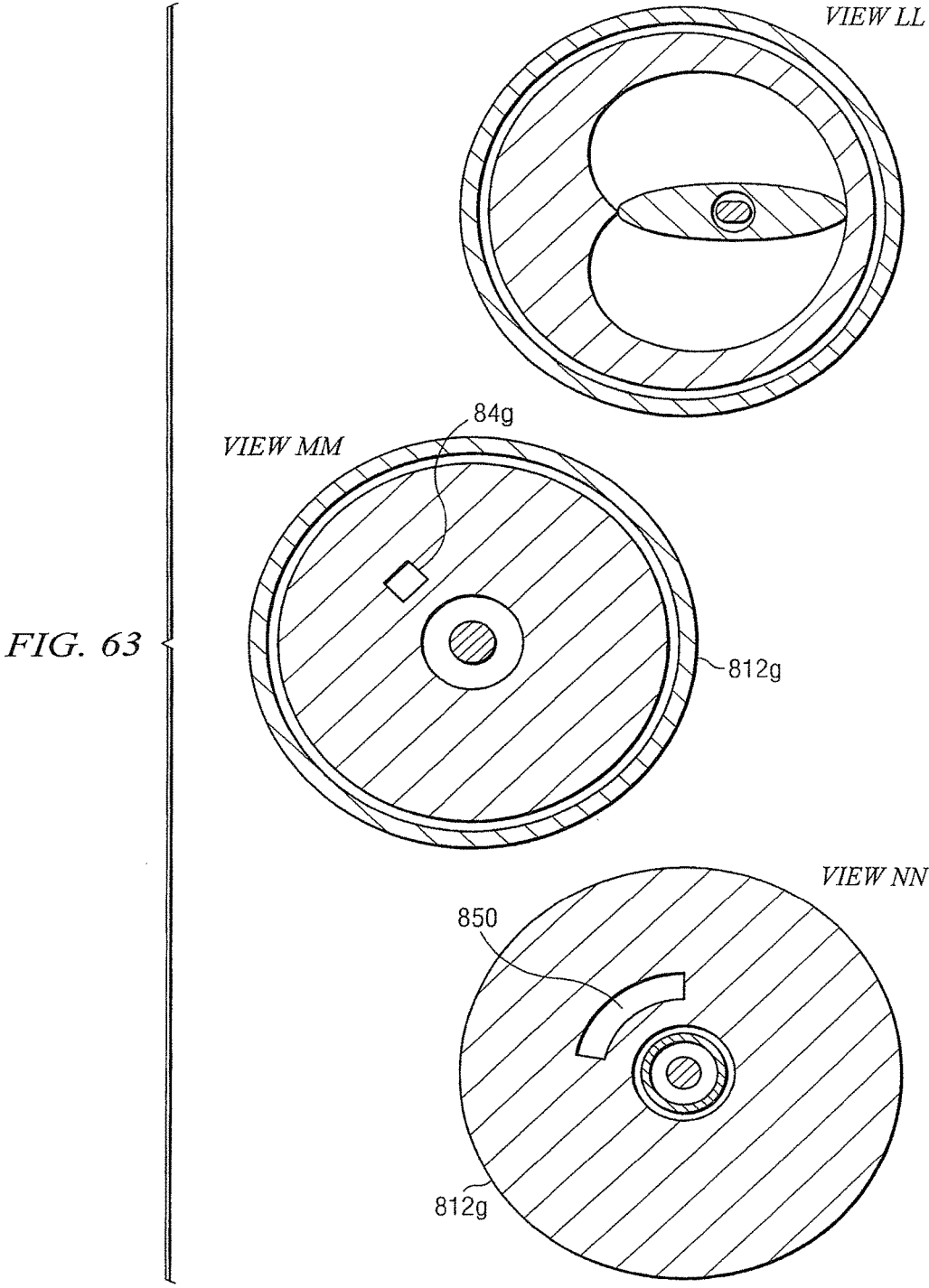


FIG. 62



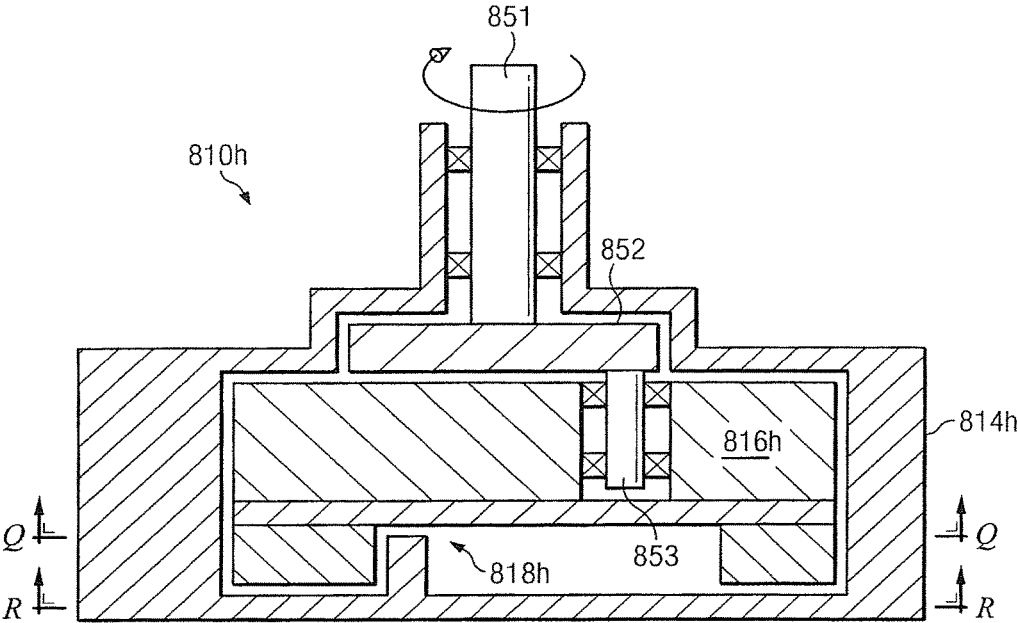


FIG. 64

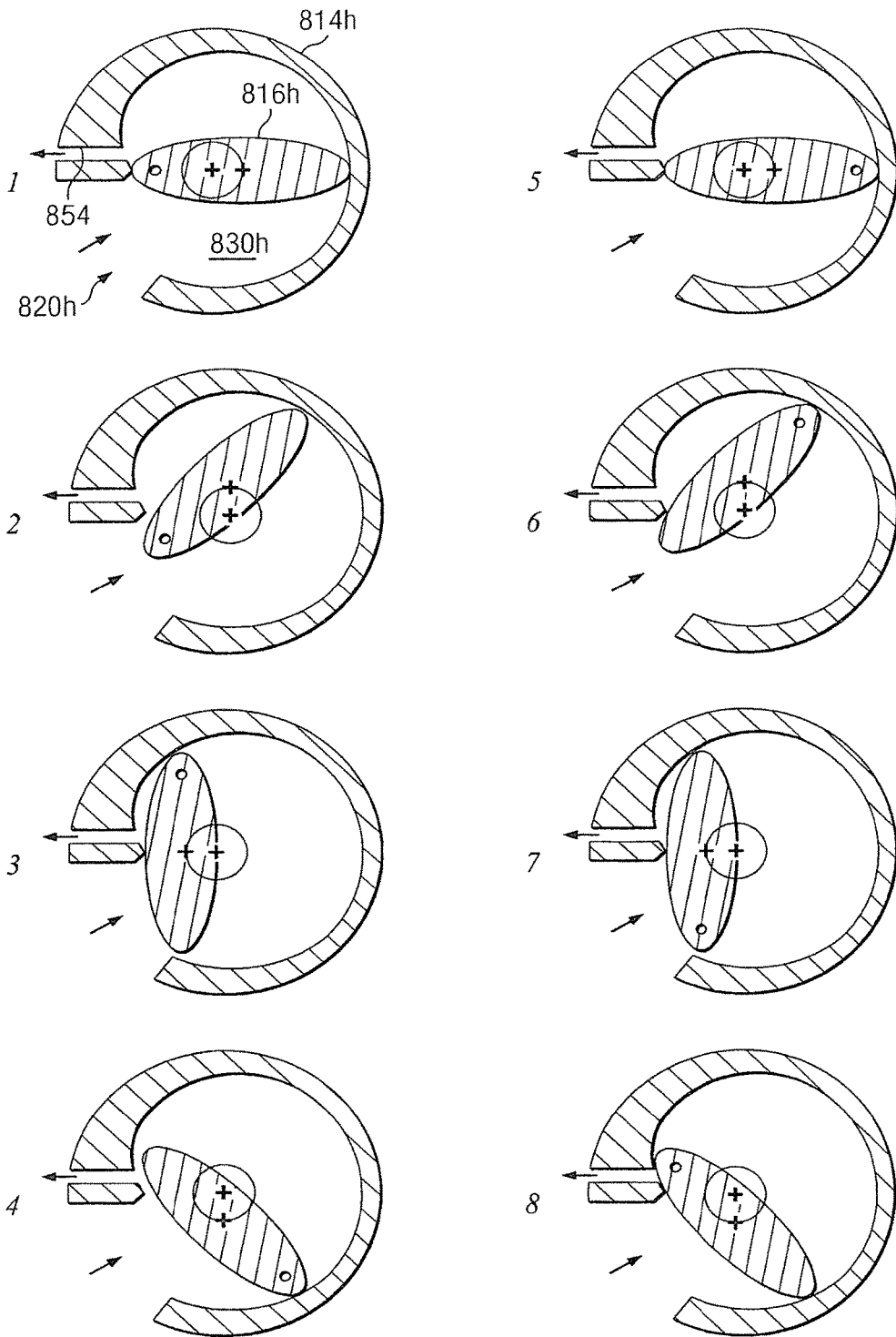


FIG. 65



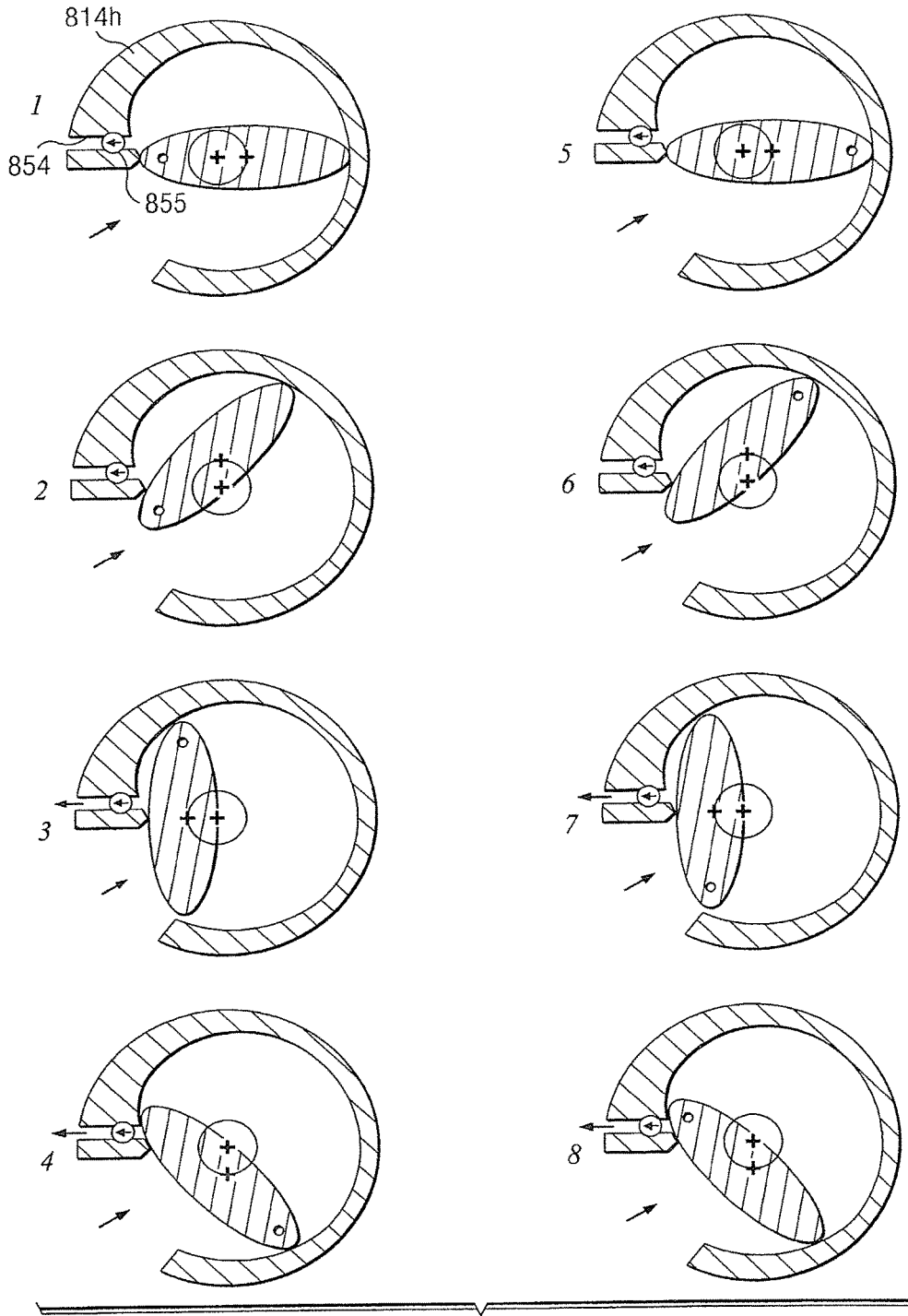
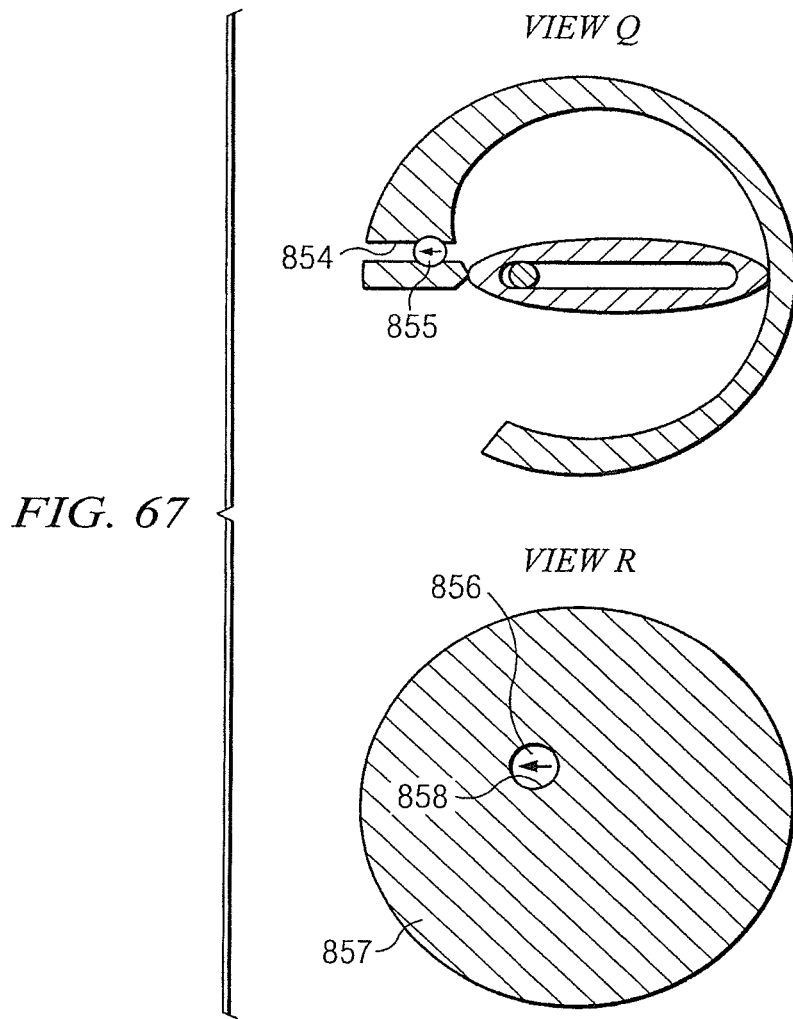


FIG. 66



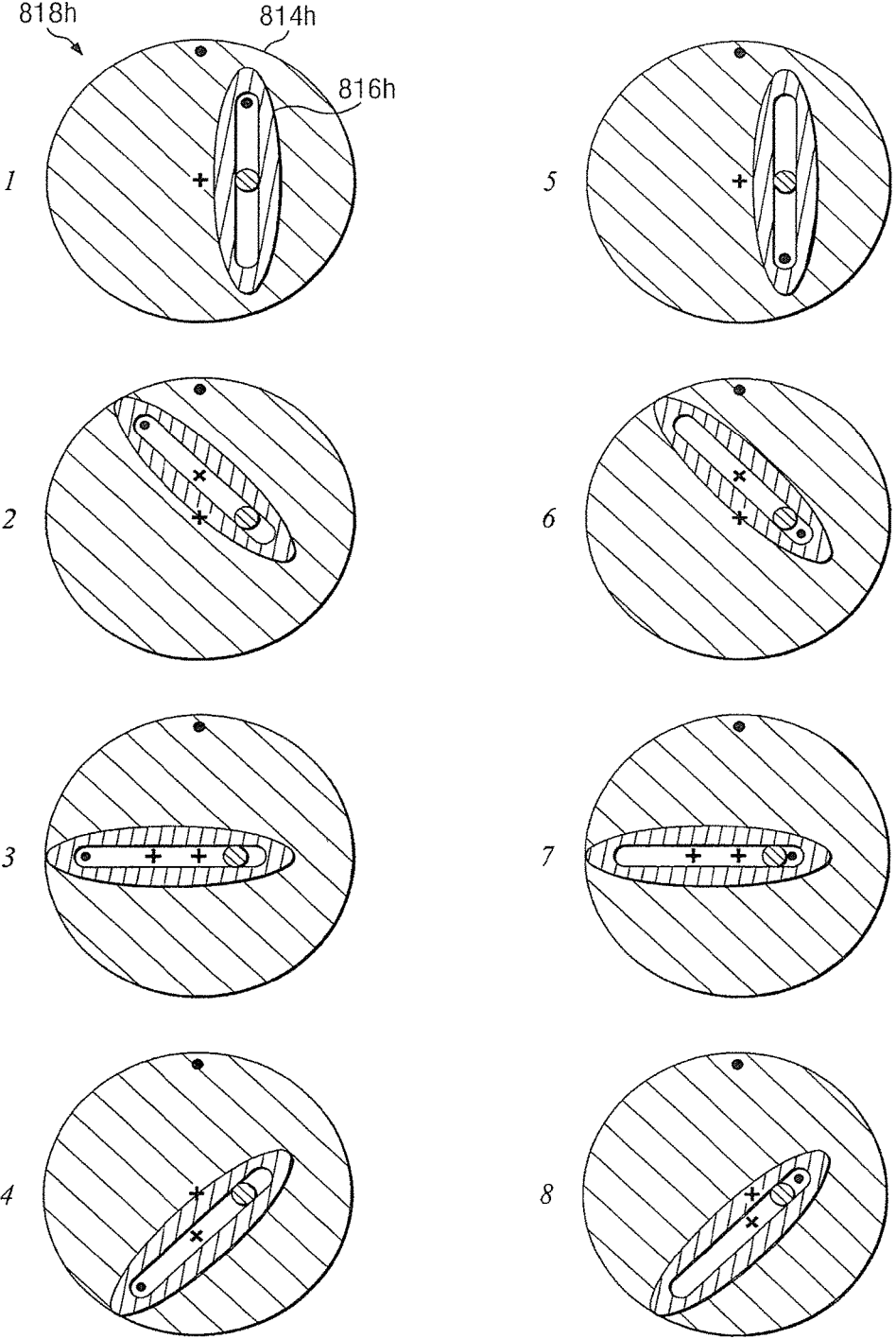


FIG. 68

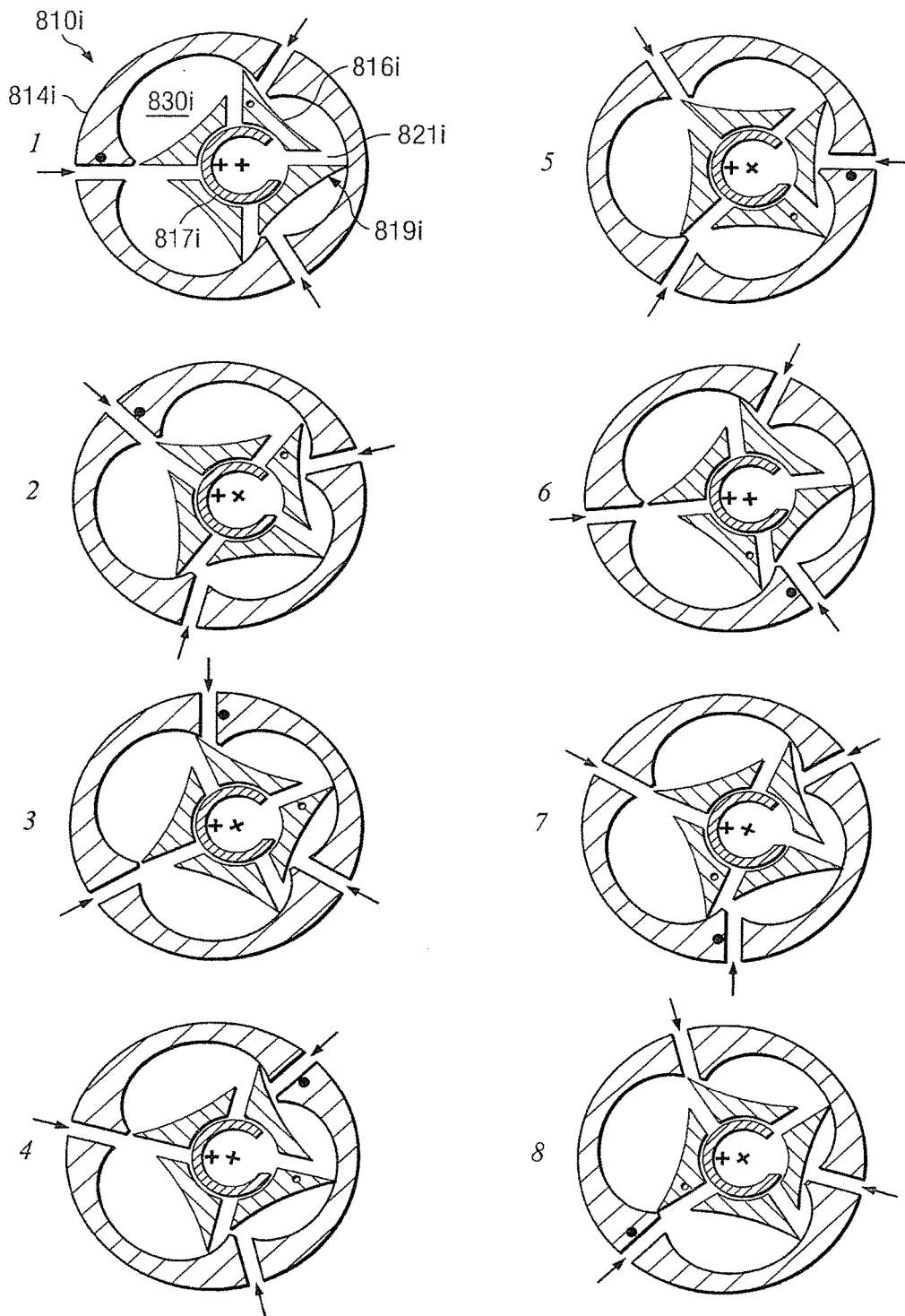


FIG. 69

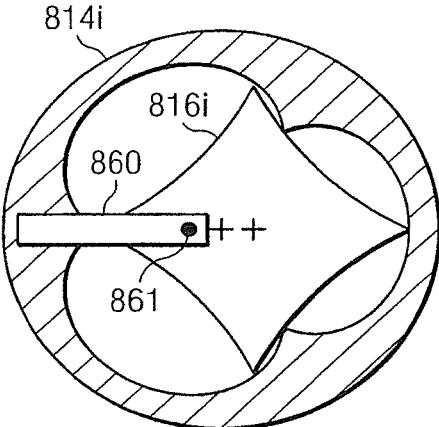


FIG. 70

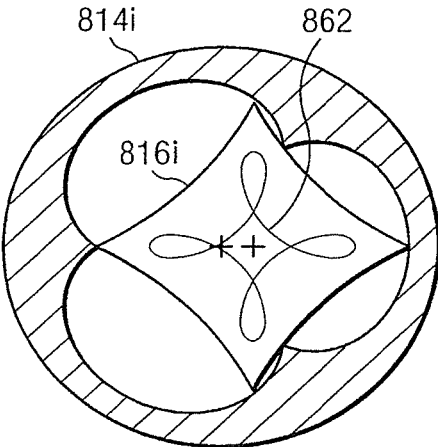
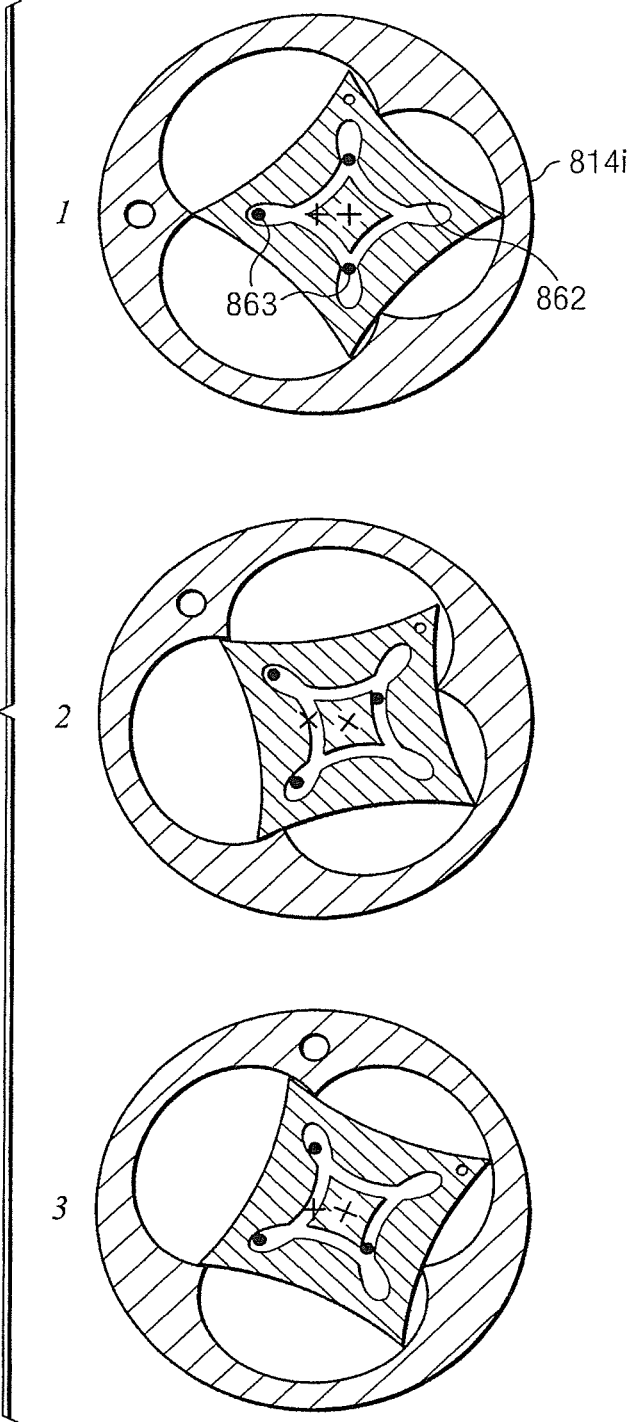


FIG. 71

FIG. 72



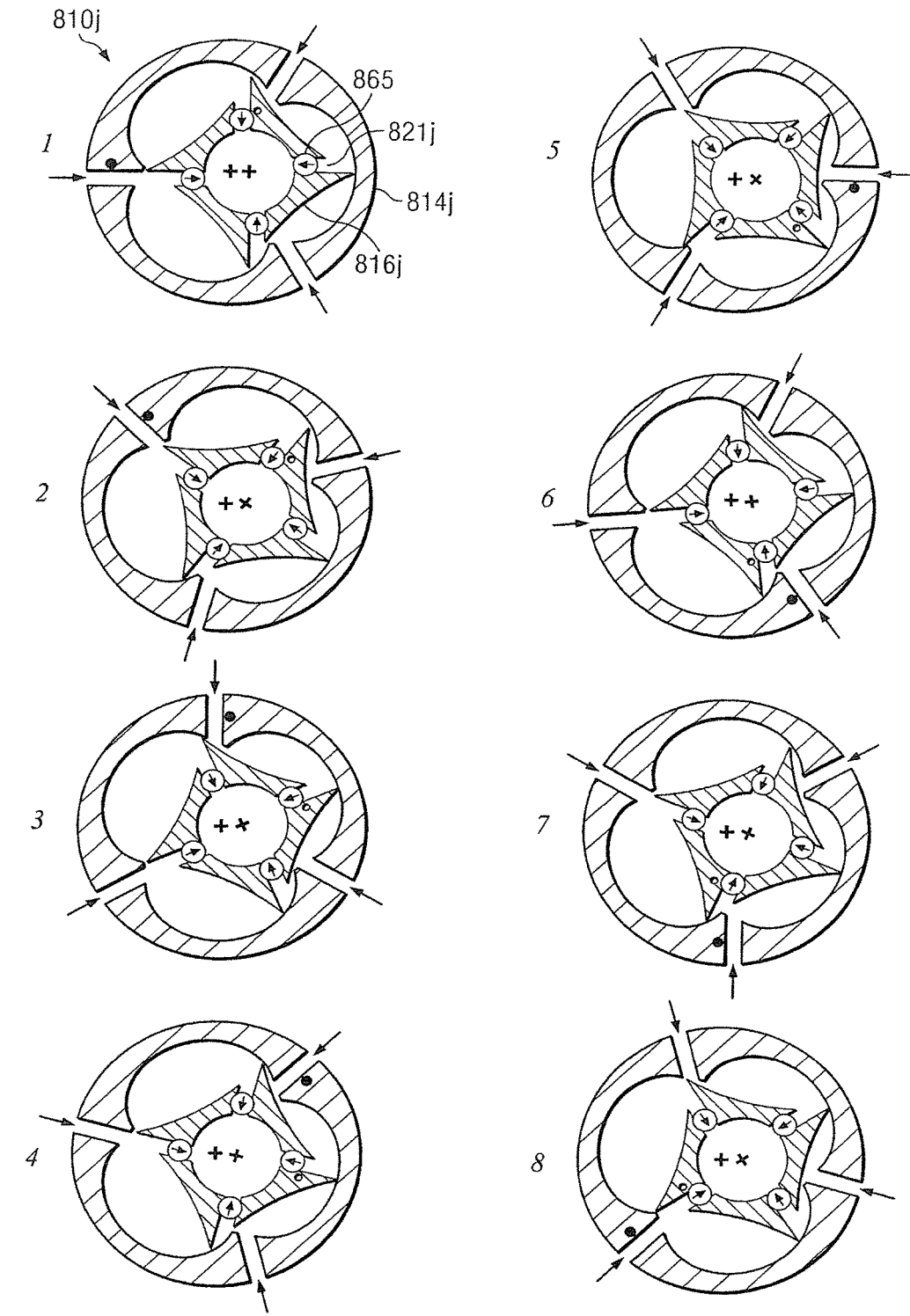


FIG. 73

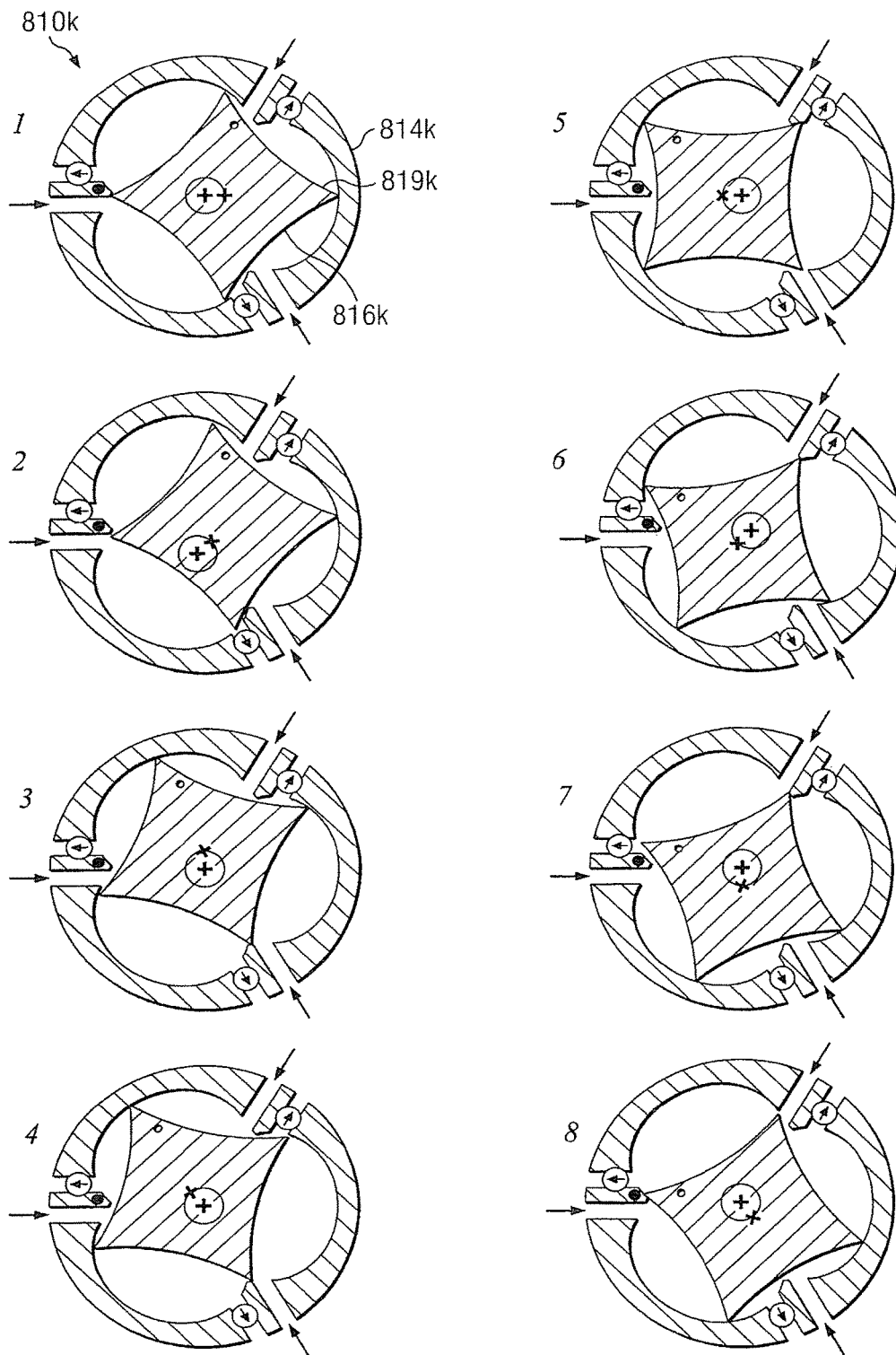
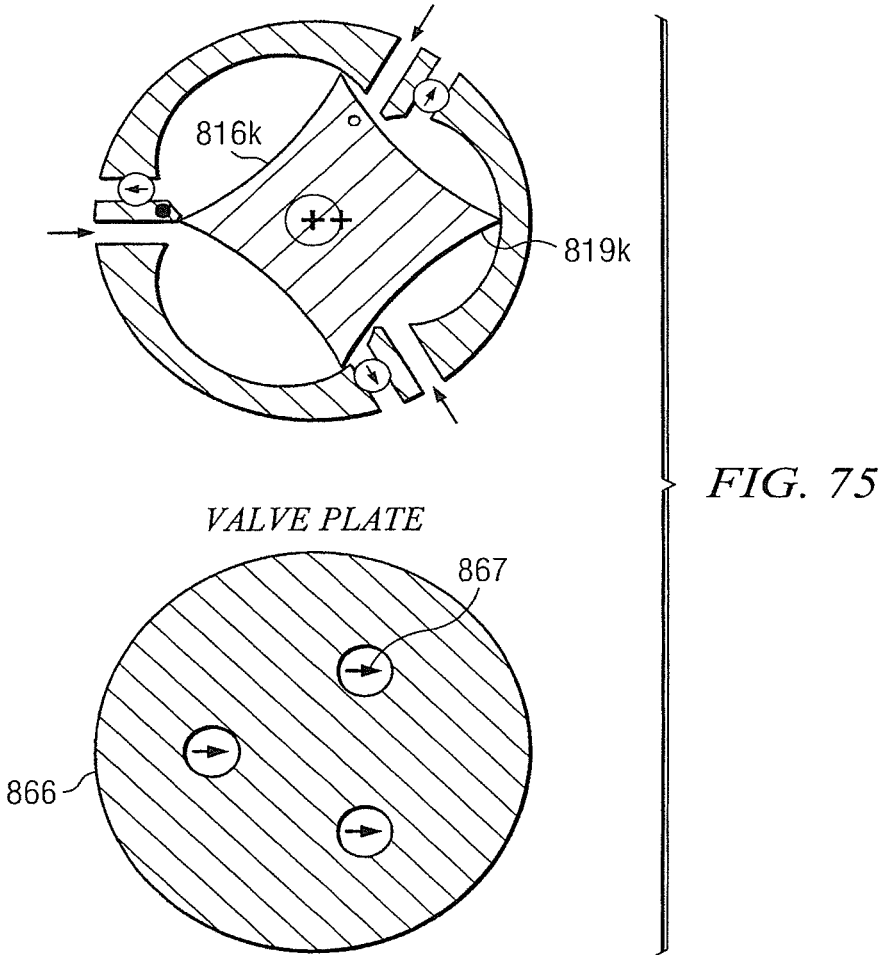


FIG. 74





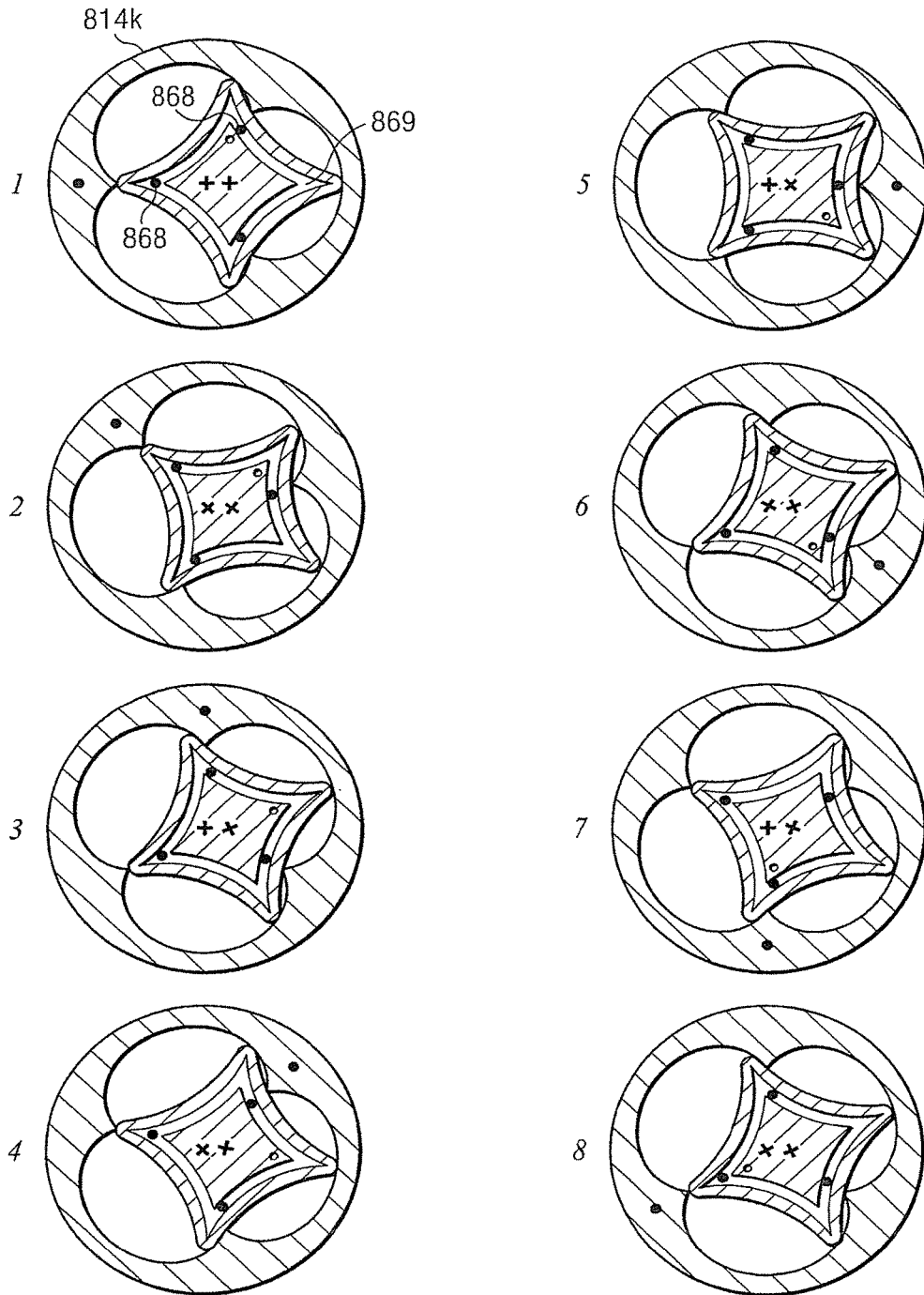
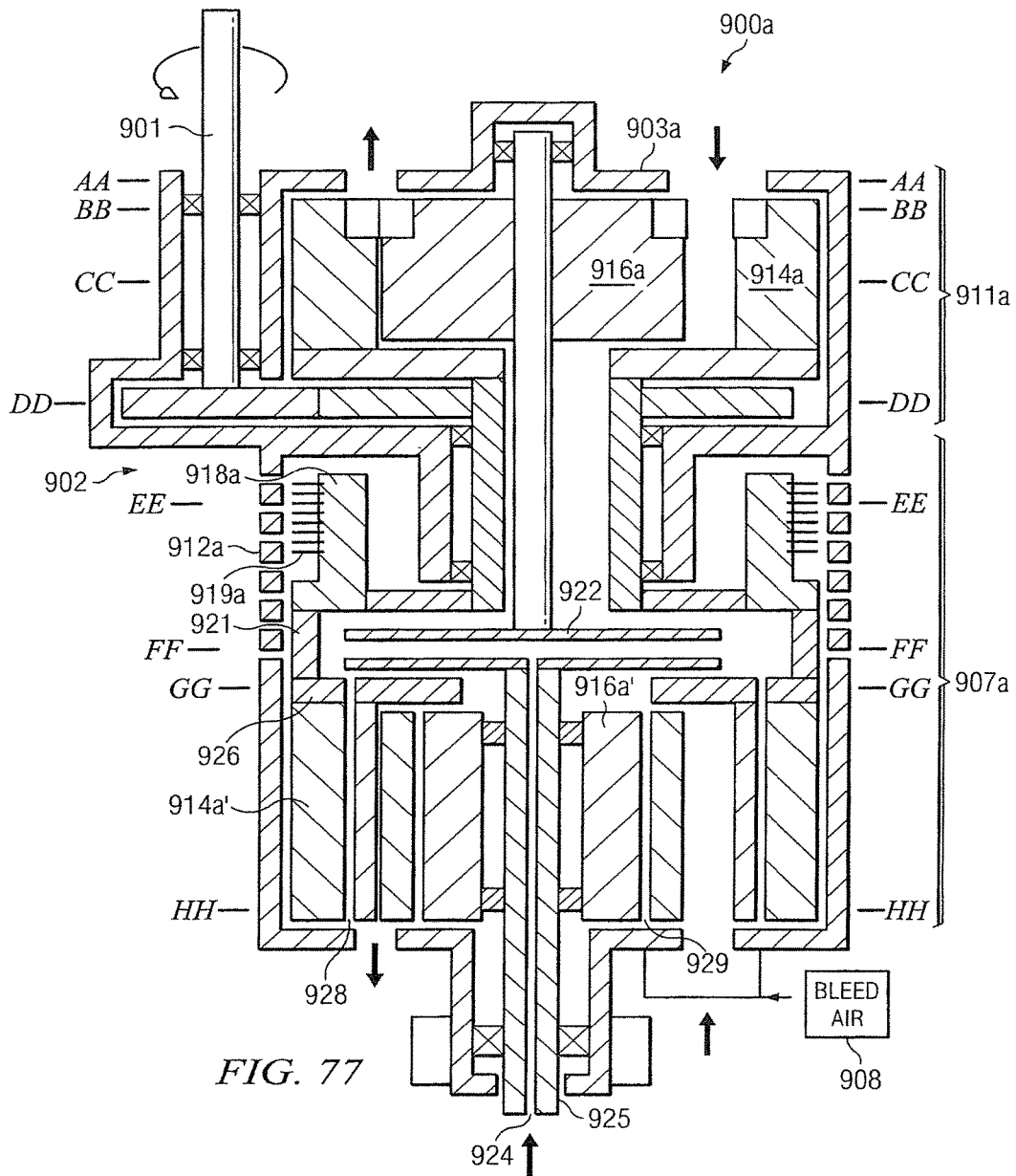
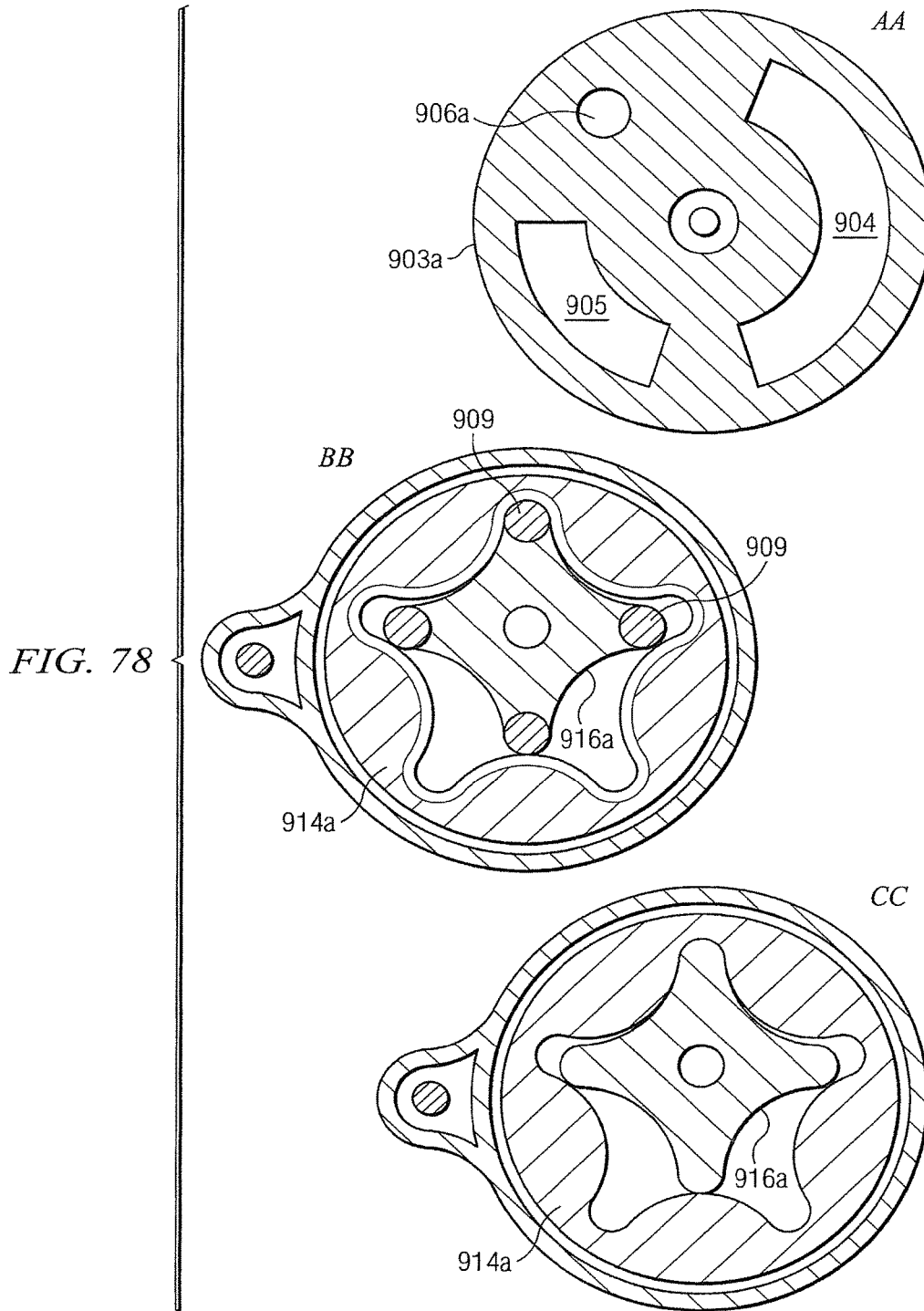
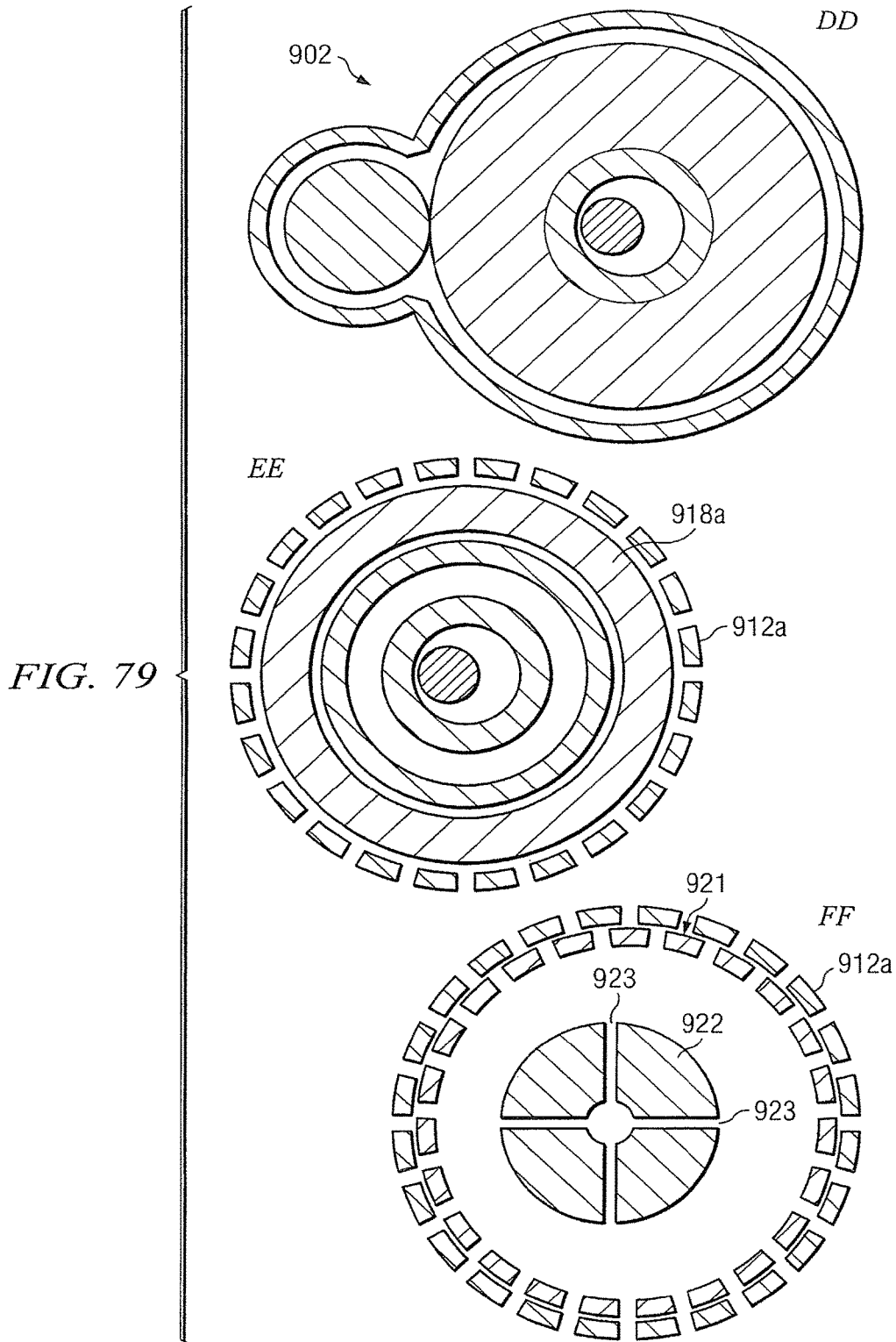
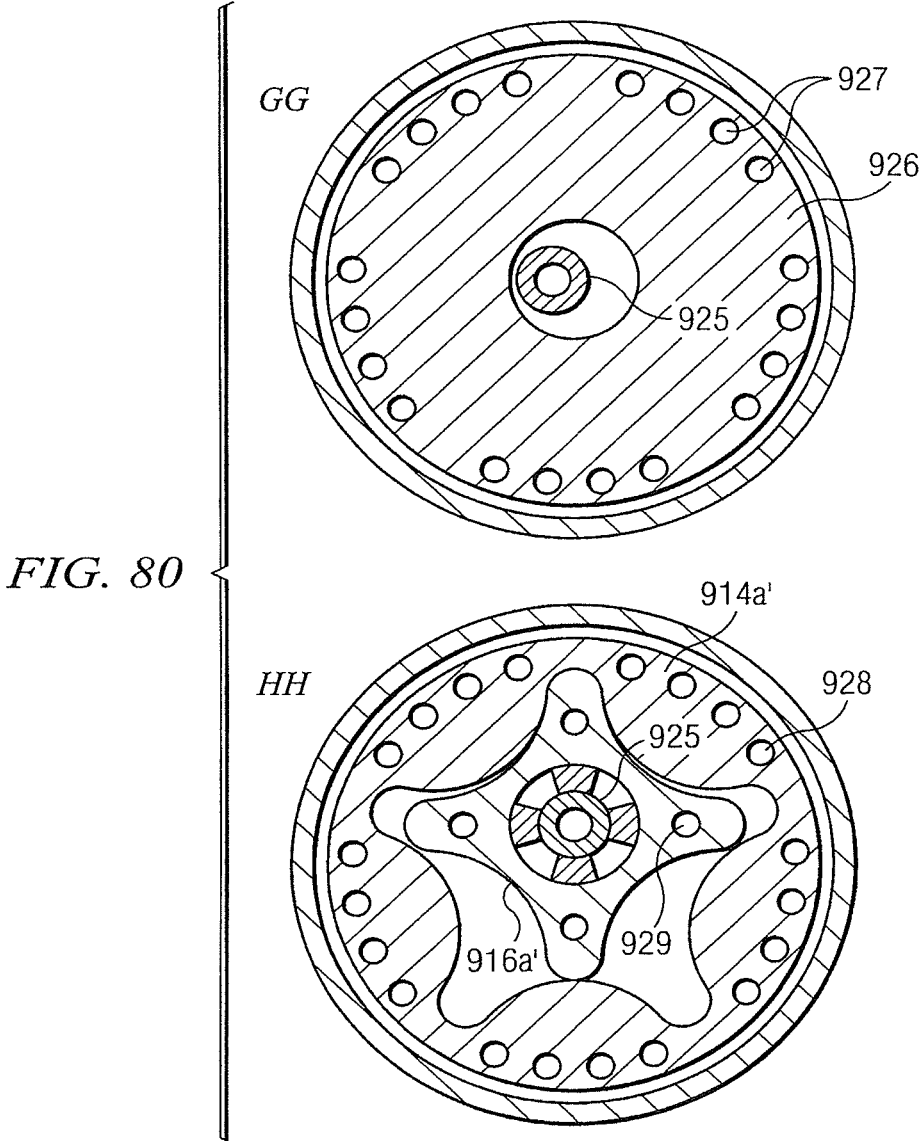


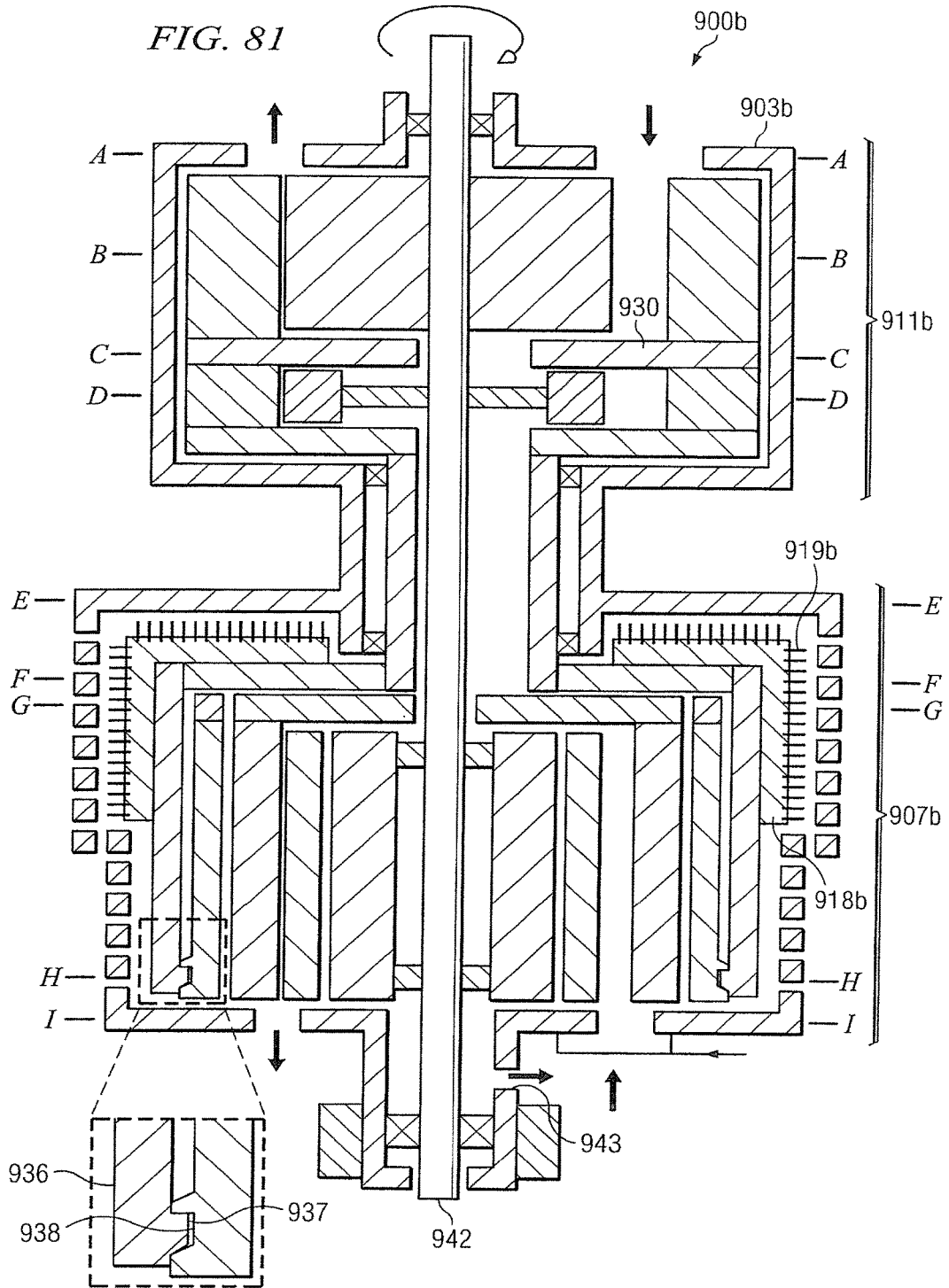
FIG. 76











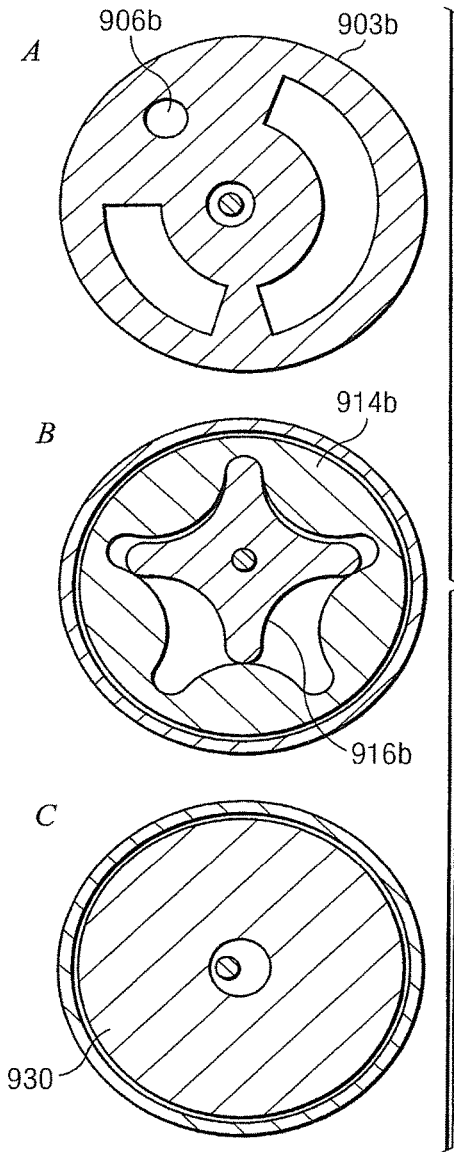


FIG. 82

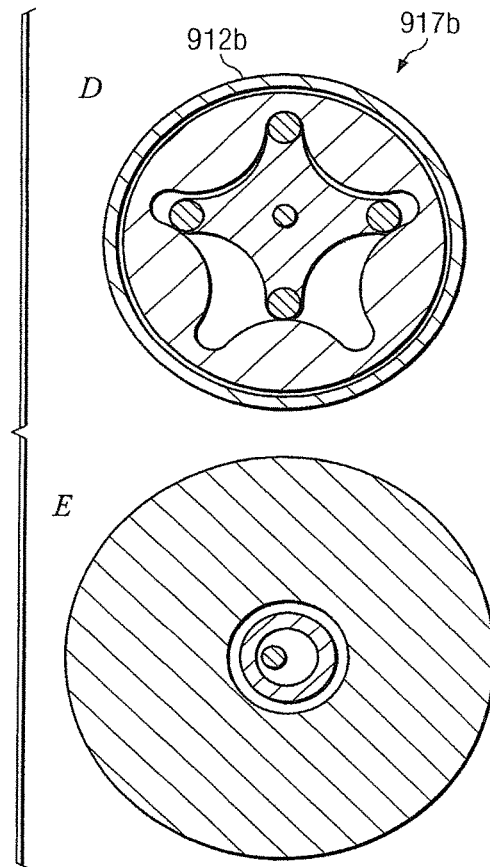


FIG. 83



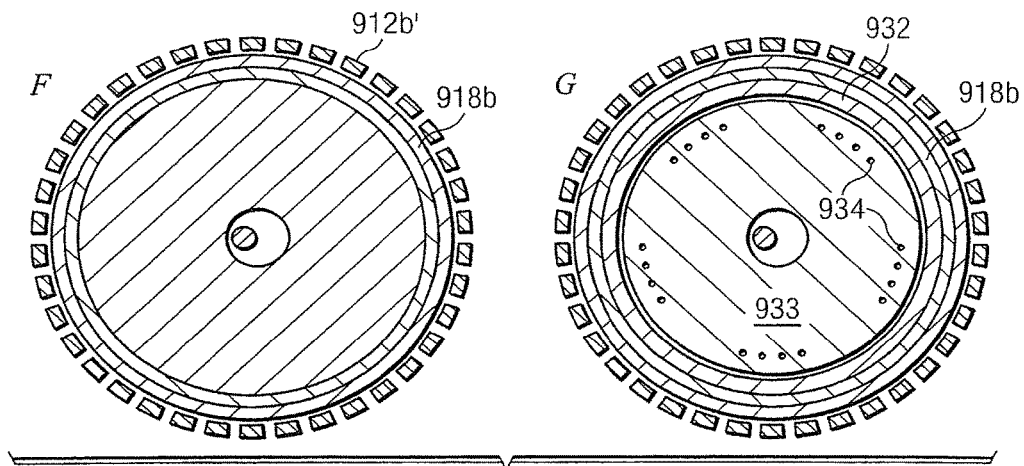


FIG. 84

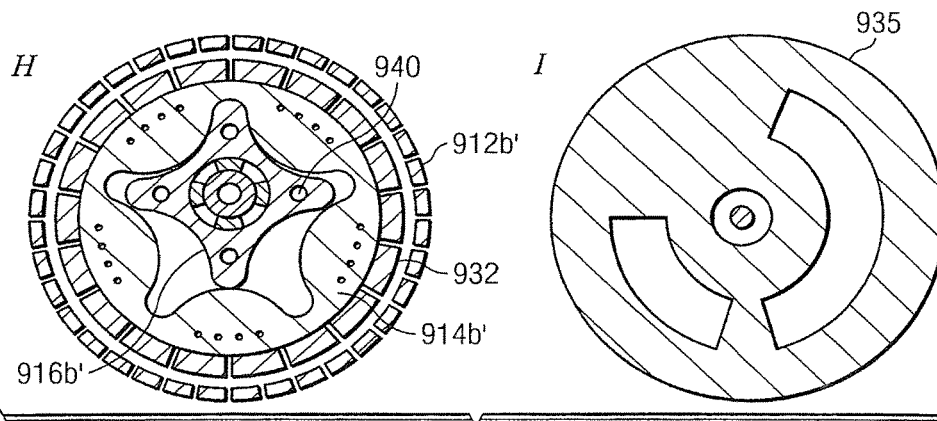


FIG. 85

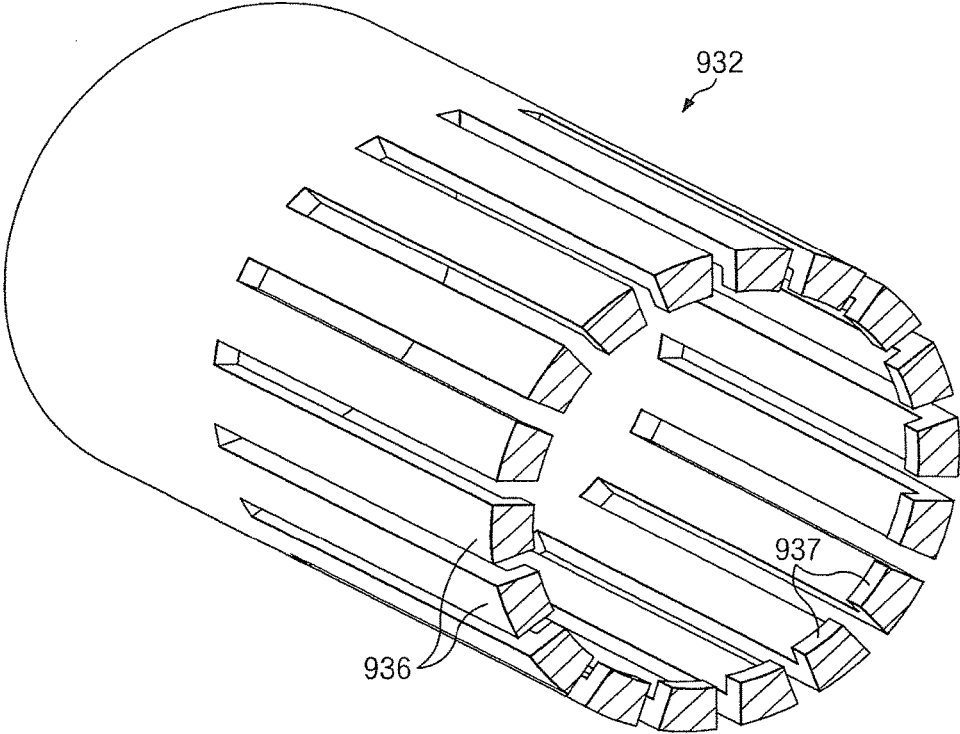


FIG. 86

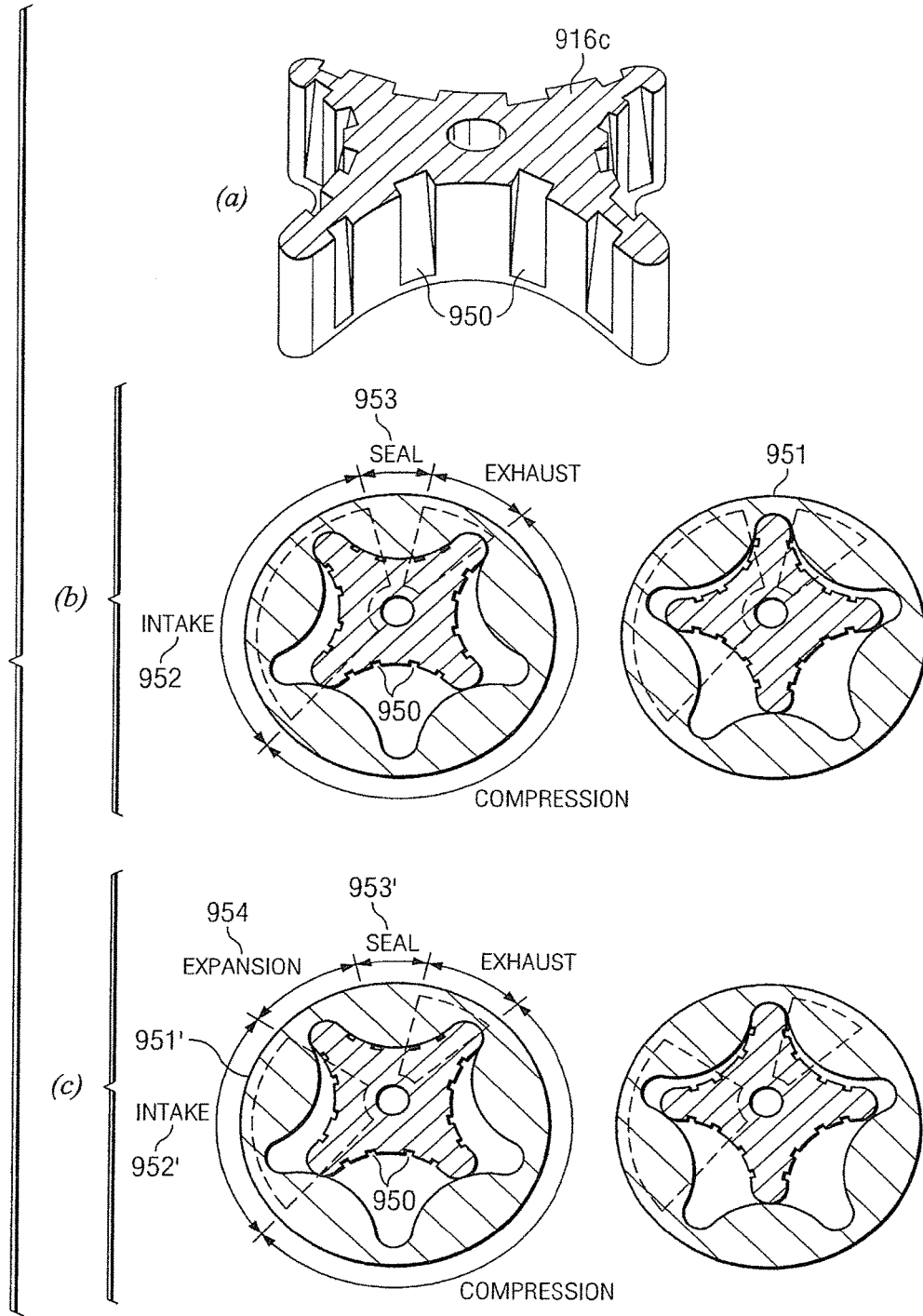
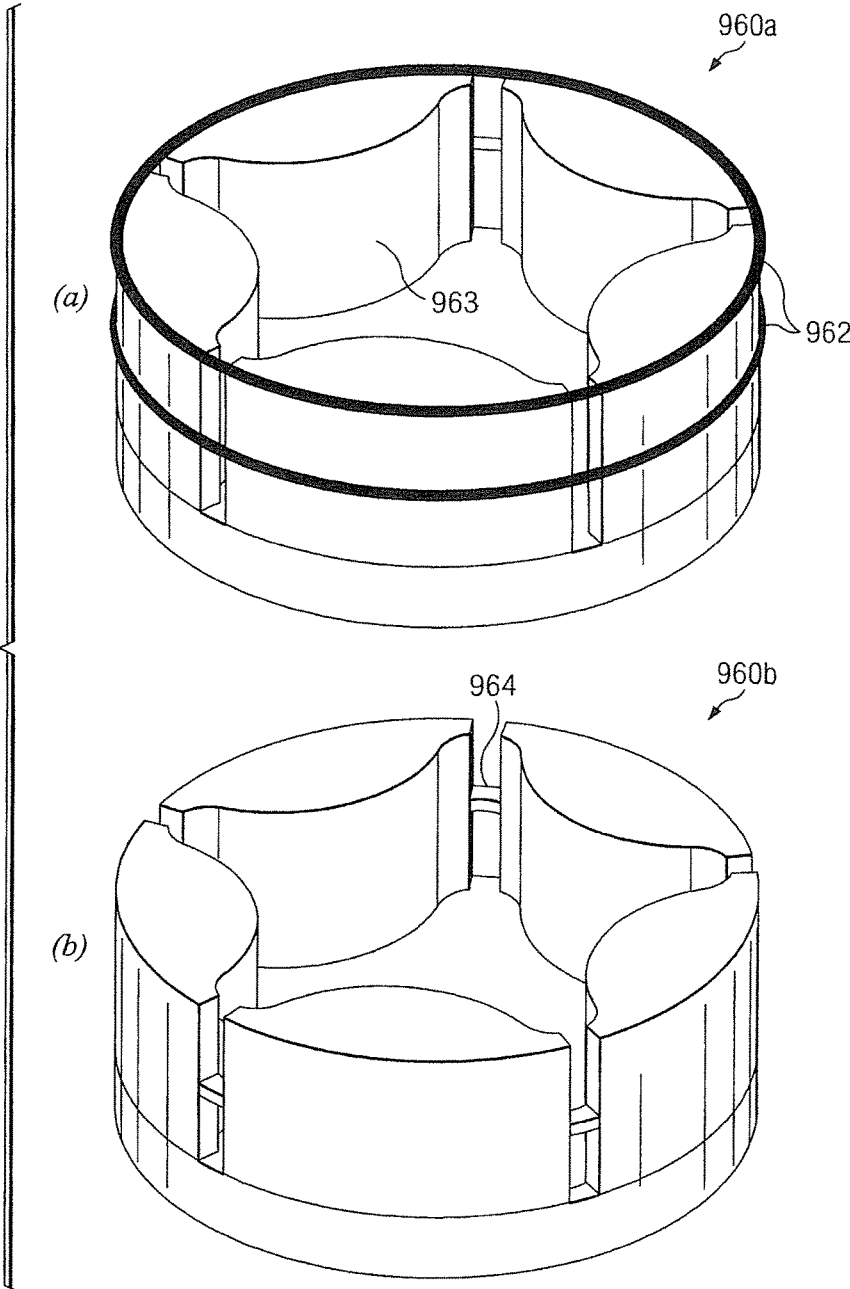
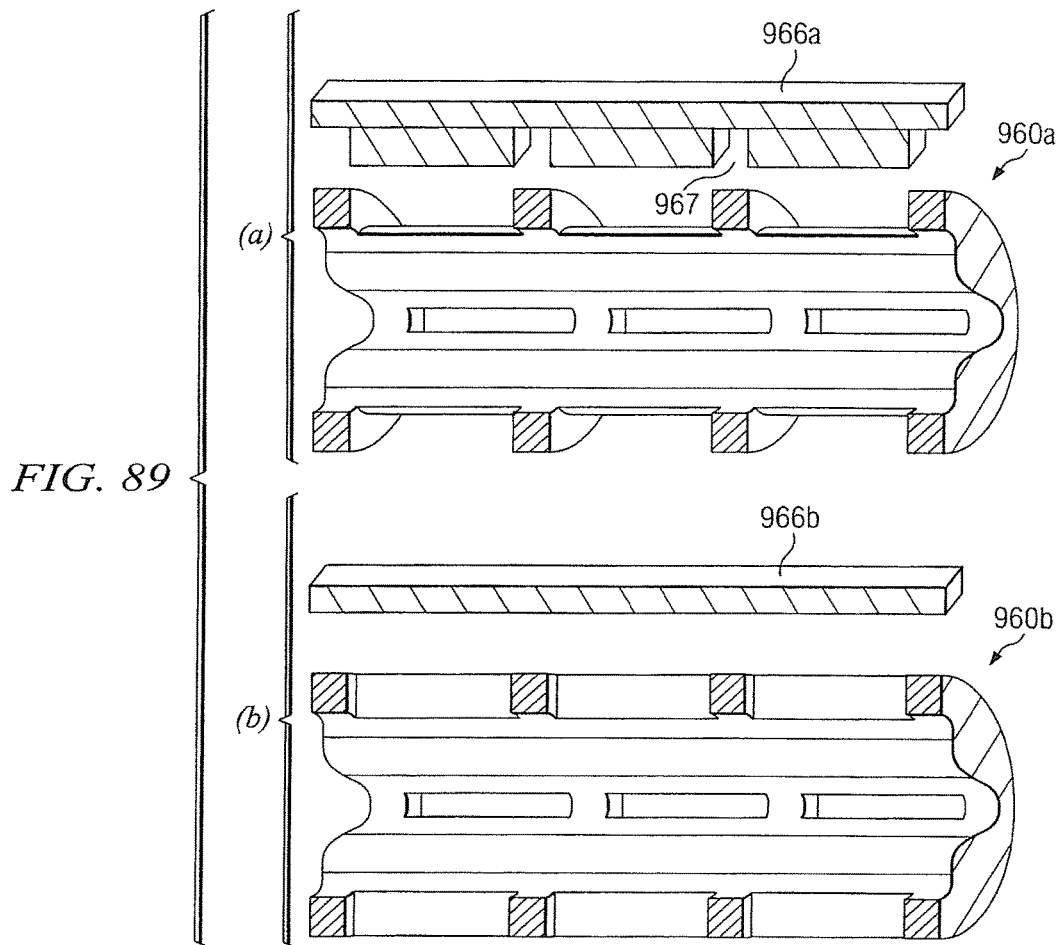
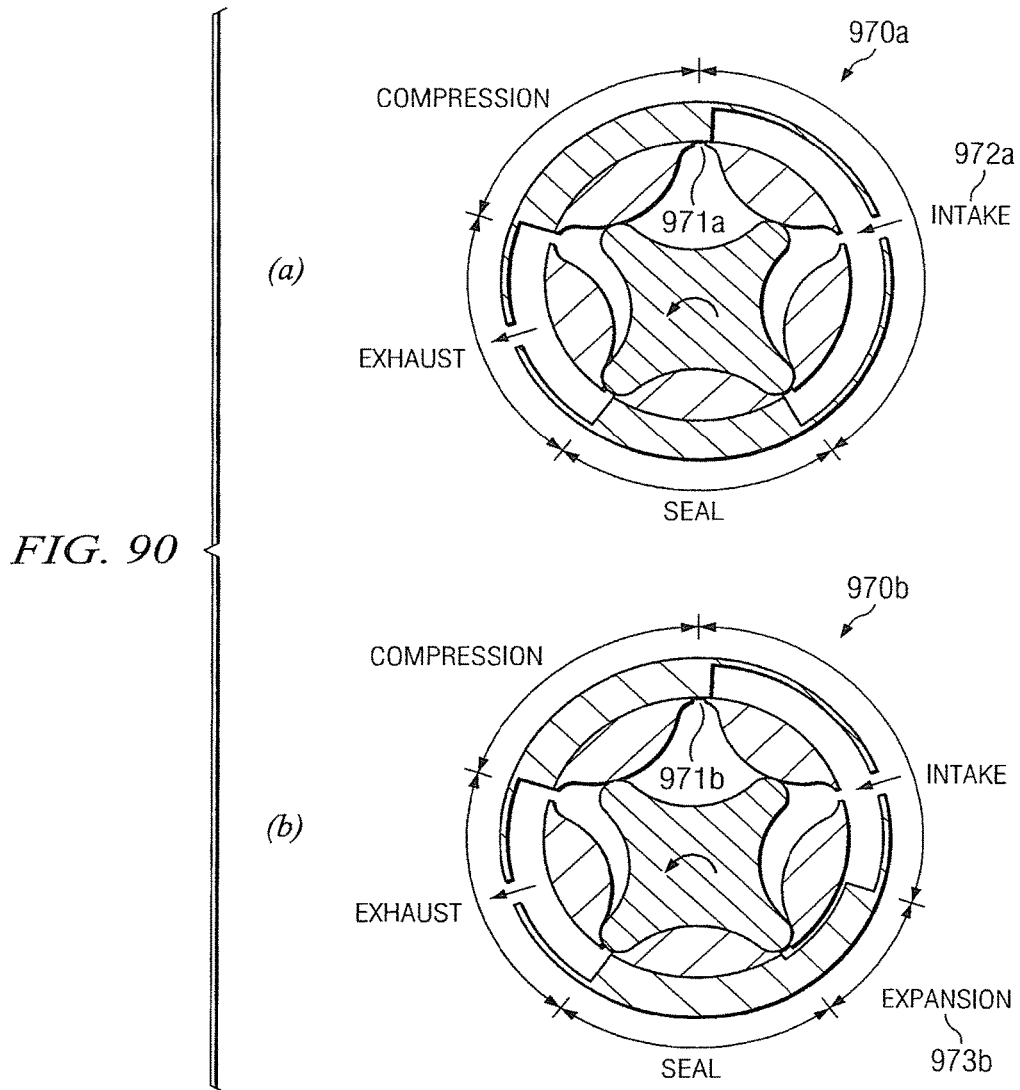


FIG. 87

FIG. 88







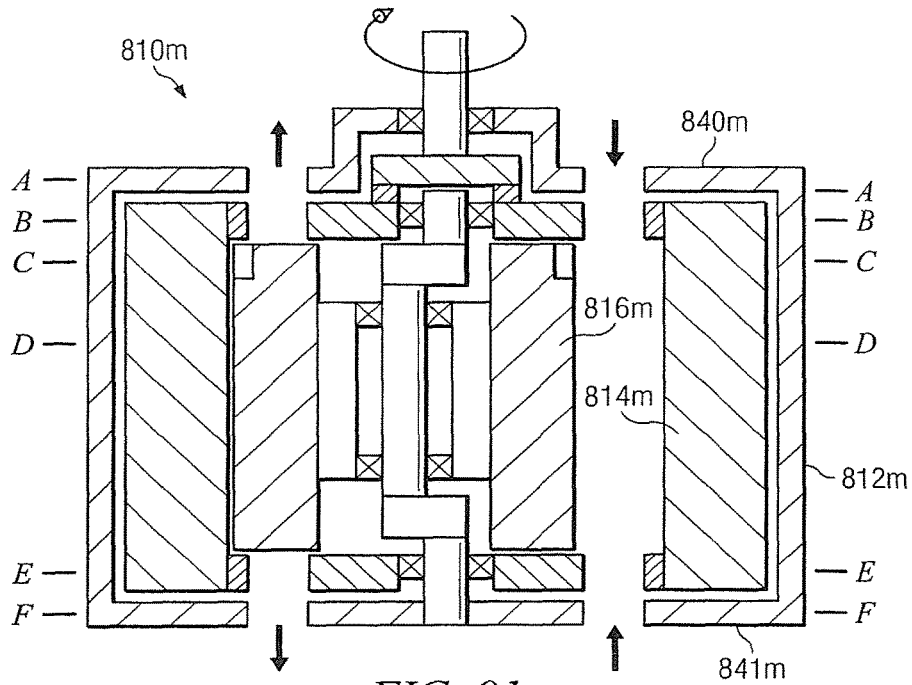


FIG. 91

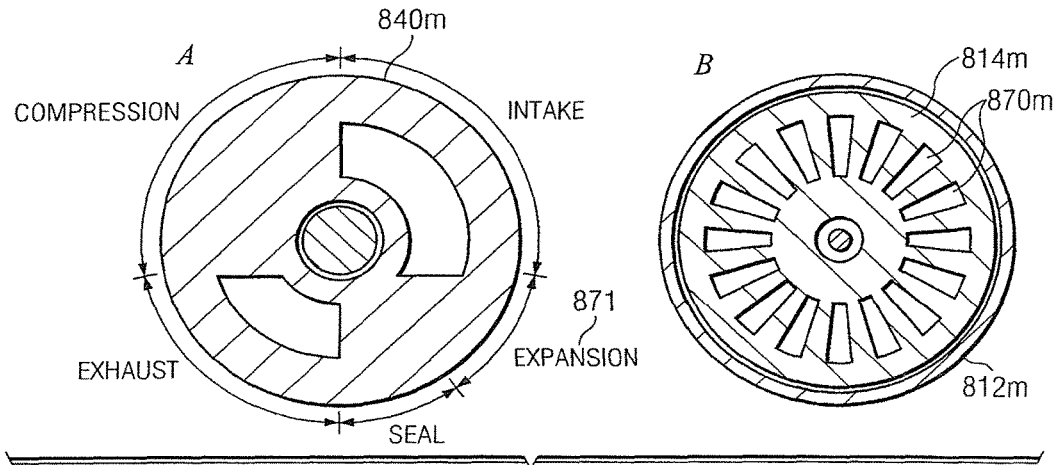


FIG. 92

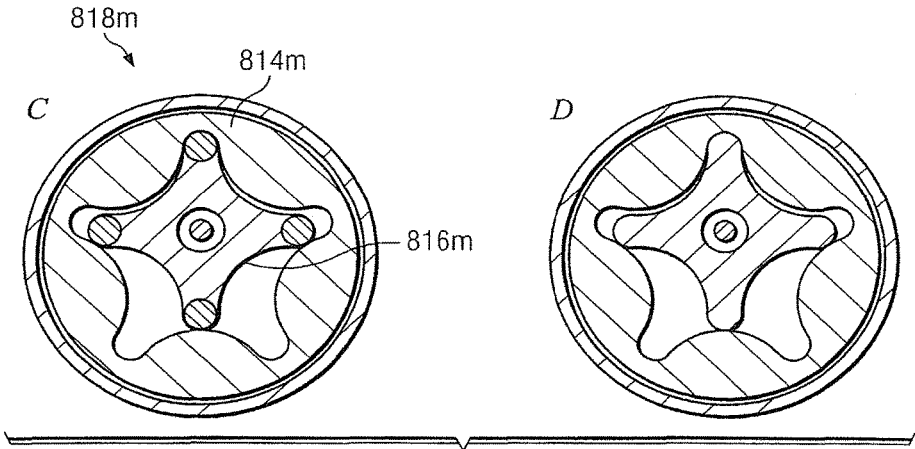


FIG. 93

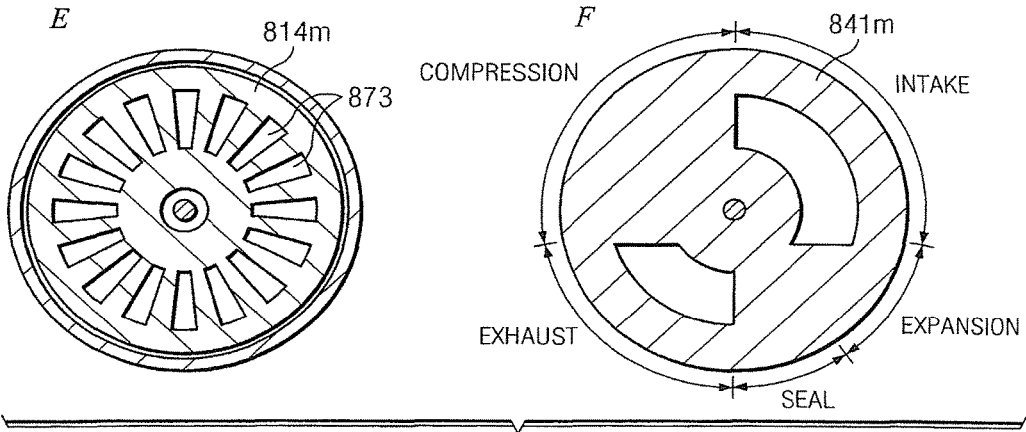


FIG. 94



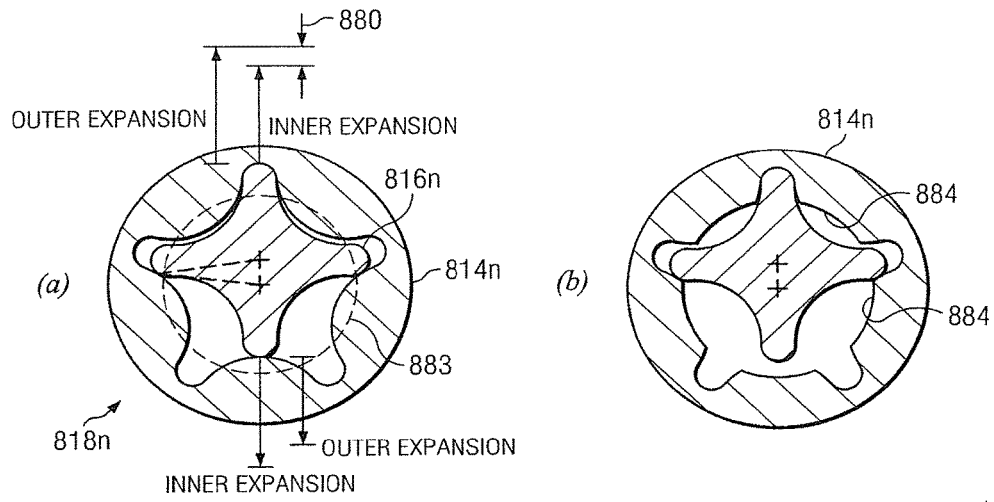


FIG. 95

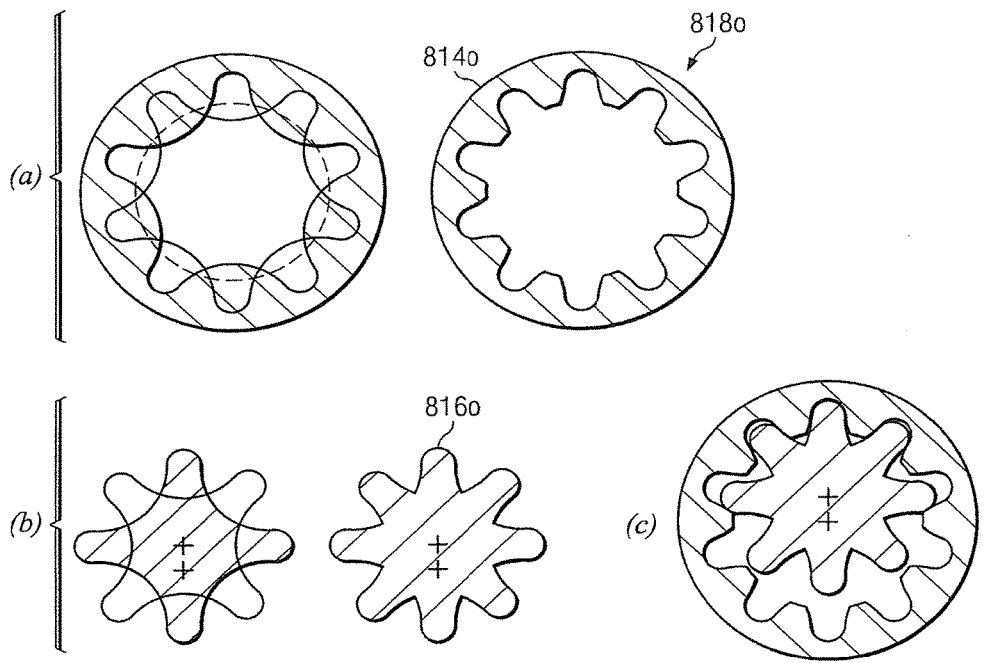


FIG. 96

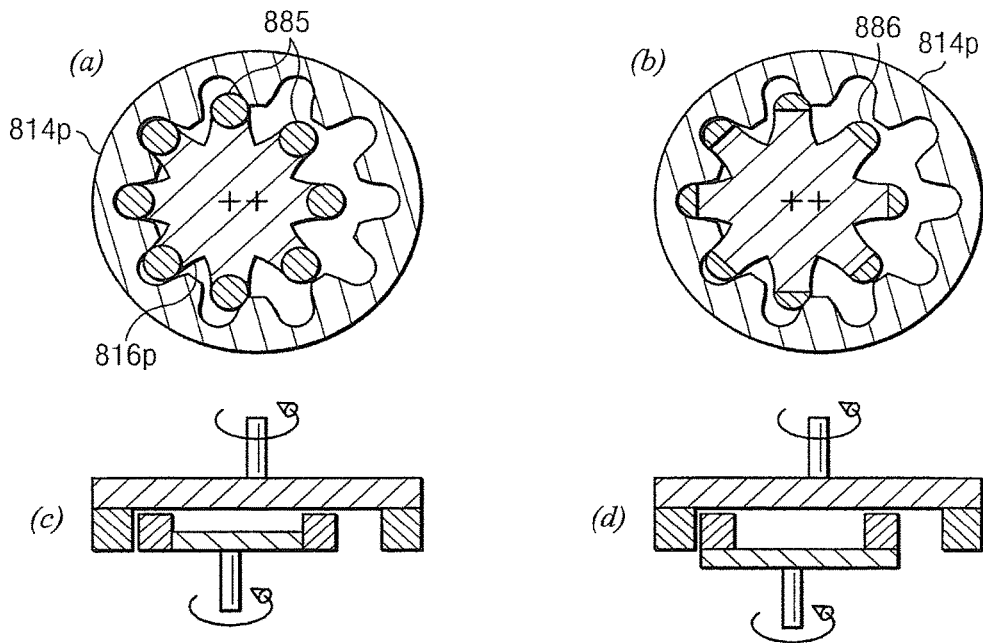


FIG. 97

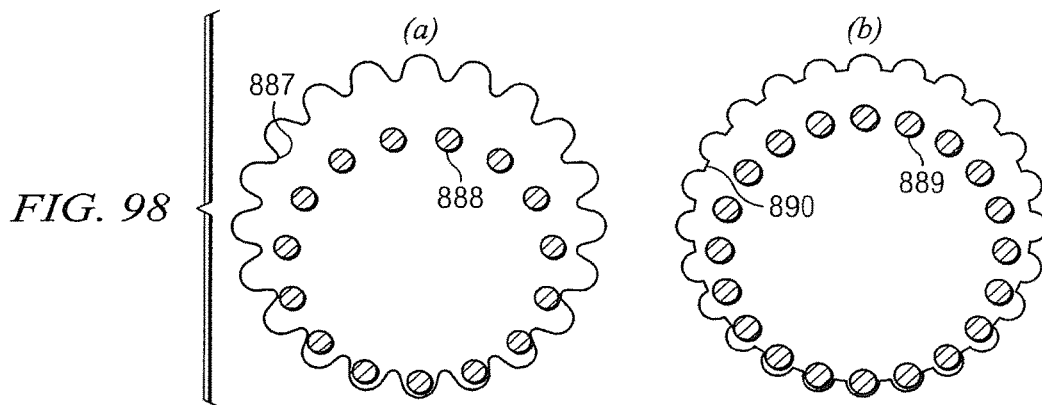
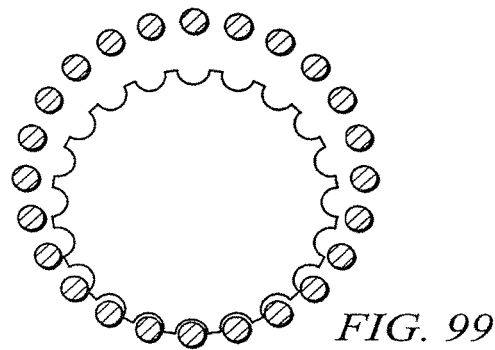


FIG. 98



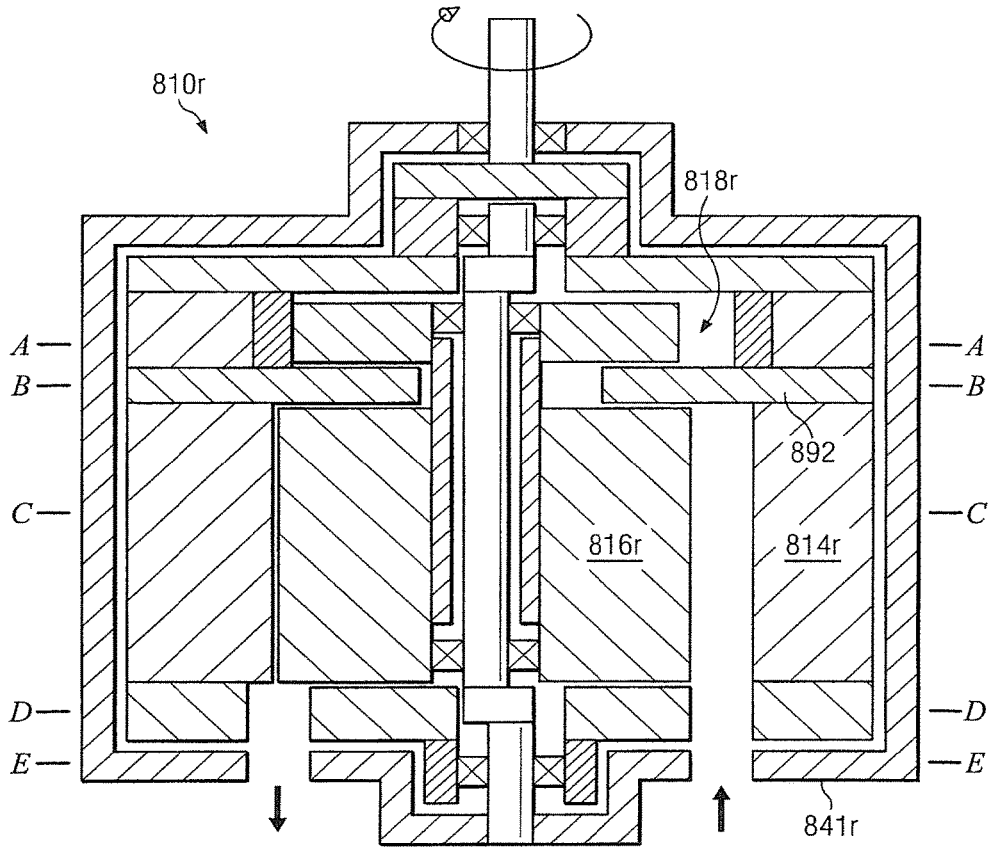


FIG. 100

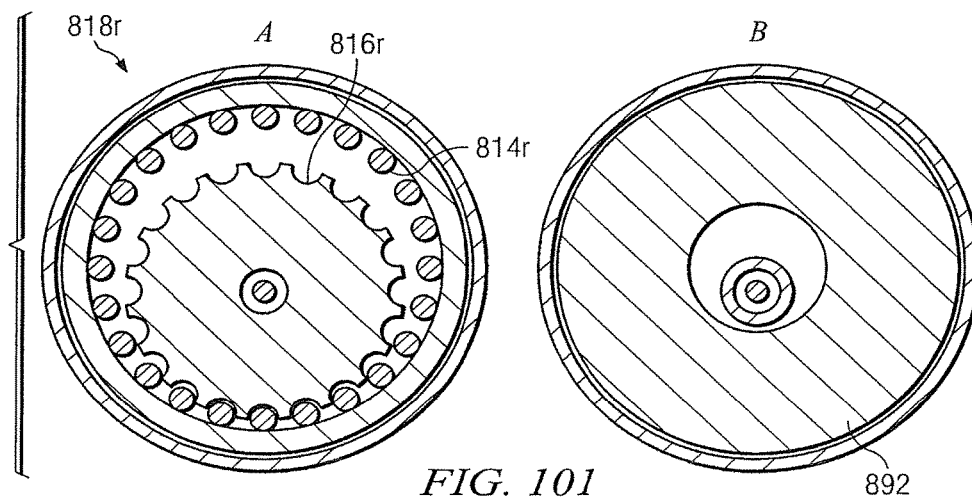


FIG. 101

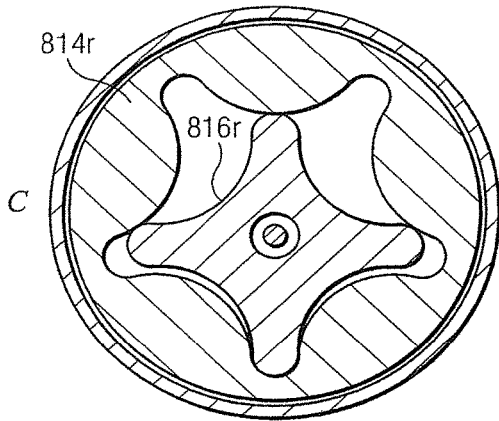


FIG. 102

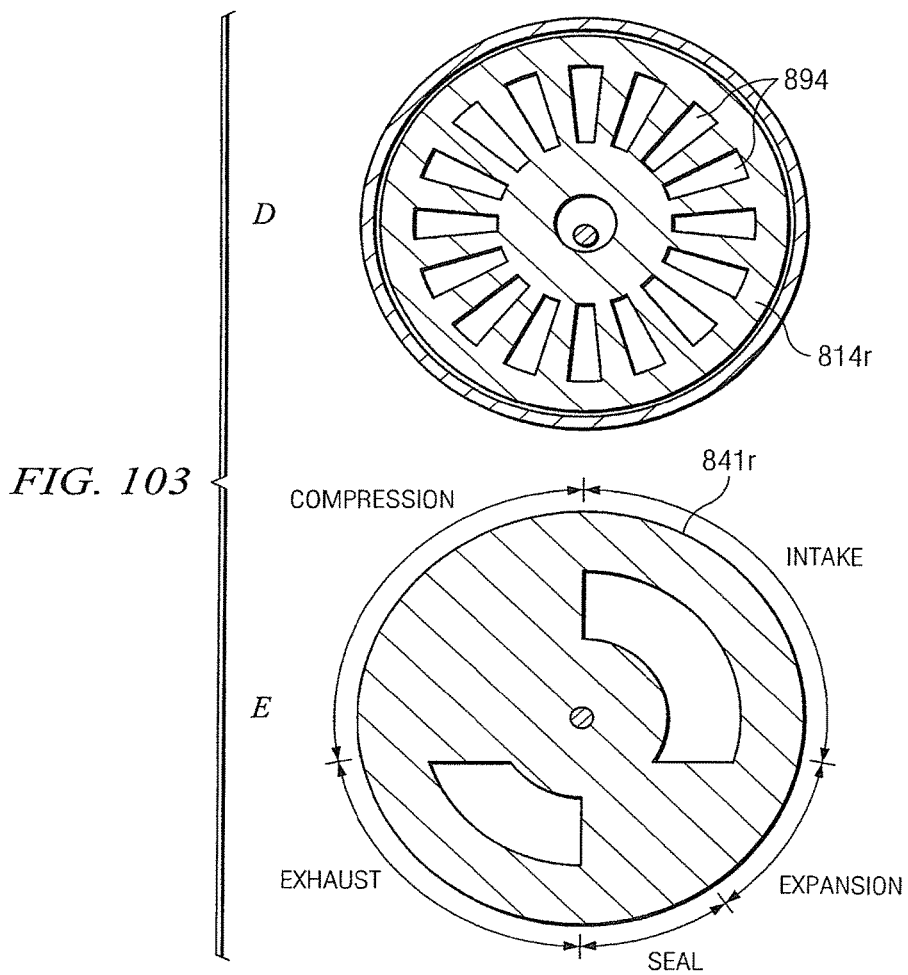


FIG. 103

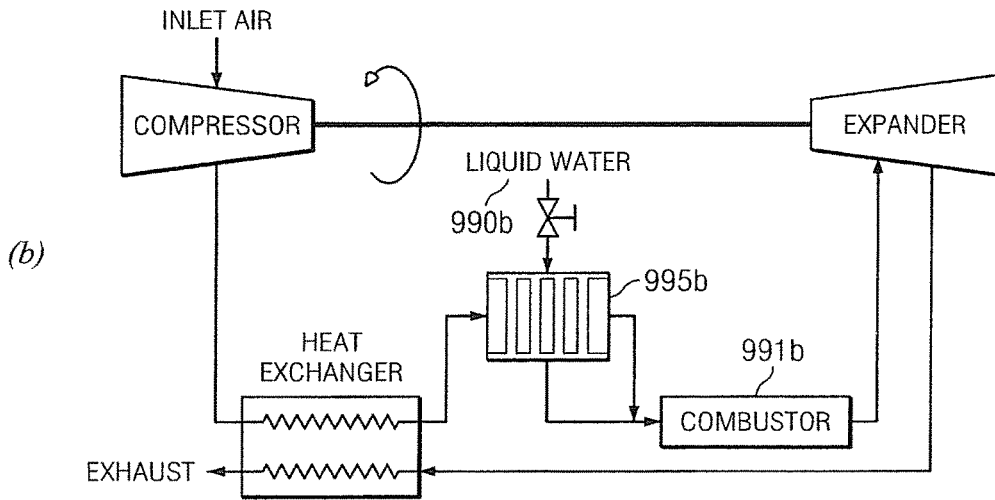
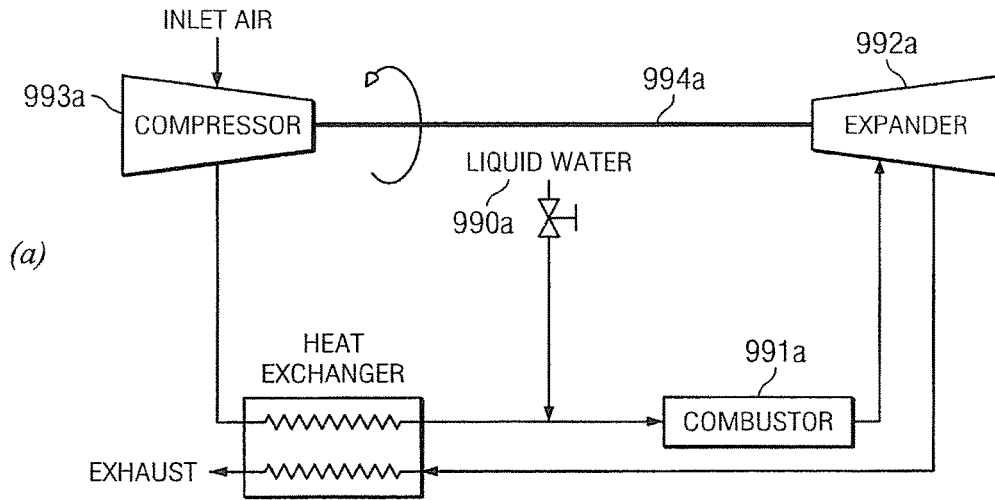


FIG. 104

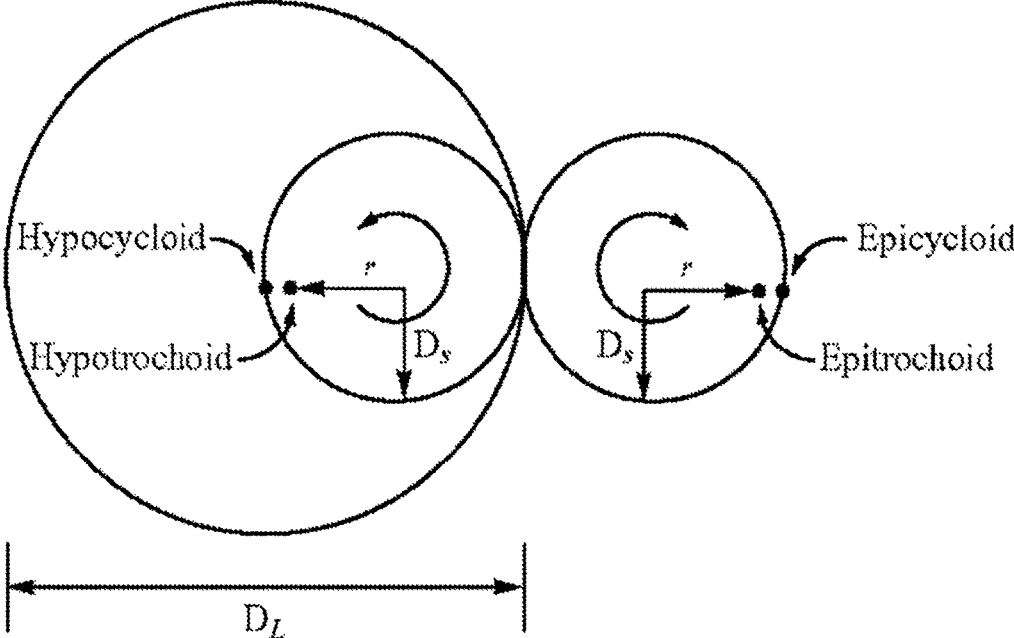


FIG. 105

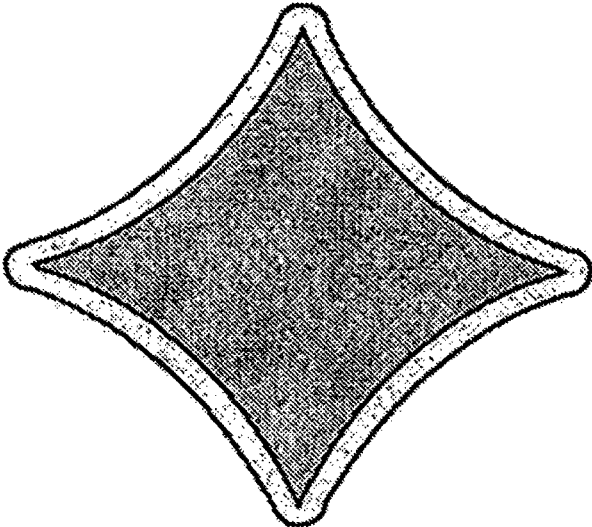


FIG. 106

1

## GEROTOR APPARATUS HAVING OUTER GEROTOR WITH STRENGTHENING MEMBERS

### CROSS-REFERENCE TO RELATED APPLICATIONS AND PRIORITY CLAIM

This application is a continuation of U.S. patent application Ser. No. 12/978,220 filed Dec. 23, 2010, entitled "SEALING SYSTEM FOR GEROTOR APPARATUS", which claims priority to U.S. patent application Ser. No. 11/041,011, filed Jan. 21, 2005, entitled "GEROTOR APPARATUS FOR A QUASI-ISOTHERMAL BRAYTON CYCLE ENGINE," which claims priority from U.S. Provisional Application Ser. No. 60/538,747, entitled "QUASI-ISOTHERMAL BRAYTON CYCLE ENGINE," filed Jan. 23, 2004.

This application is also a continuation-in-part of U.S. patent application Ser. No. 14/098,272 filed on Dec. 5, 2013, which claims priority to U.S. patent application Ser. No. 12/761,432 filed on Apr. 16, 2010 (now U.S. Pat. No. 8,821,138), which claims priority to U.S. patent application Ser. No. 11/681,877 filed on Mar. 5, 2007 (now U.S. Pat. No. 7,726,959), which claims priority to U.S. patent application Ser. No. 10/359,487 filed on Feb. 5, 2003 (now U.S. Pat. No. 7,186,101), which claims benefit and/or priority under 35 U.S.C. 119(e) to (i) U.S. Provisional Application No. 60/355,636 filed on Feb. 5, 2002, (ii) U.S. Provisional Application No. 60/358,681 filed on Feb. 21, 2002, and (iii) U.S. Provisional Application No. 60/397,193 filed on Jul. 18, 2002.

### TECHNICAL FIELD OF THE INVENTION

The present invention relates to a gerotor apparatus that functions as a compressor or expander. The gerotor apparatus may be applied generally to Brayton cycle engines and, more particularly, to a quasi-isothermal Brayton cycle engine.

### BACKGROUND OF THE INVENTION

For mobile applications, such as an automobile or truck, it is generally desirable to use a heat engine that has the following characteristics: internal combustion to reduce the need for heat exchangers; complete expansion for improved efficiency; isothermal compression and expansion; high power density; high-temperature expansion for high efficiency; ability to efficiently "throttle" the engine for part-load conditions; high turn-down ratio (i.e., the ability to operate at widely ranging speeds and torques); low pollution; uses standard components with which the automotive industry is familiar; multifuel capability; and regenerative braking.

There are currently several types of heat engines, each with their own characteristics and cycles. These heat engines include the Otto Cycle engine, the Diesel Cycle engine, the Rankine Cycle engine, the Stirling Cycle engine, the Erickson Cycle engine, the Carnot Cycle engine, and the Brayton Cycle engine. A brief description of each engine is provided below.

The Otto Cycle engine is an inexpensive, internal combustion, low-compression engine with a fairly low efficiency. This engine is widely used to power automobiles.

The Diesel Cycle engine is a moderately expensive, internal combustion, high-compression engine with a high efficiency that is widely used to power trucks and trains.

2

The Rankine Cycle engine is an external combustion engine that is generally used in electric power plants. Water is the most common working fluid.

The Erickson Cycle engine uses isothermal compression and expansion with constant-pressure heat transfer. It may be implemented as either an external or internal combustion cycle. In practice, a perfect Erickson cycle is difficult to achieve because isothermal expansion and compression are not readily attained in large, industrial equipment.

The Carnot Cycle engine uses isothermal compression and expansion and adiabatic compression and expansion. The Carnot Cycle may be implemented as either an external or internal combustion cycle. It features low power density, mechanical complexity, and difficult-to-achieve constant-temperature compressor and expander.

The Stirling Cycle engine uses isothermal compression and expansion with constant-volume heat transfer. It is almost always implemented as an external combustion cycle. It has a higher power density than the Carnot cycle, but it is difficult to perform the heat exchange, and it is difficult to achieve constant-temperature compression and expansion.

The Stirling, Erickson, and Carnot cycles are as efficient as nature allows because heat is delivered at a uniformly high temperature,  $T_{hot}$  during the isothermal expansion, and rejected at a uniformly low temperature,  $T_{cold}$  during the isothermal compression. The maximum efficiency,  $\eta_{max}$  of these three cycles is:

$$\eta_{max} = 1 - \frac{T_{cold}}{T_{hot}}$$

This efficiency is attainable only if the engine is "reversible," meaning that the engine is frictionless, and that there are no temperature or pressure gradients. In practice, real engines have "irreversibilities," or losses, associated with friction and temperature/pressure gradients.

The Brayton Cycle engine is an internal combustion engine that is generally implemented with turbines and is generally used to power aircraft and some electric power plants. The Brayton cycle features very high power density, normally does not use a heat exchanger, and has a lower efficiency than the other cycles. When a regenerator is added to the Brayton cycle, however, the cycle efficiency increases. Traditionally, the Brayton cycle is implemented using axial-flow, multi-stage compressors and expanders. These devices are generally suitable for aviation in which aircraft operate at fairly constant speeds; they are generally not suitable for most transportation applications, such as automobiles, buses, trucks, and trains, which must operate over widely varying speeds.

The Otto cycle, the Diesel cycle, the Brayton cycle, and the Rankine cycle all have efficiencies less than the maximum because they do not use isothermal compression and expansion steps. Further, the Otto and Diesel cycle engines lose efficiency because they do not completely expand high-pressure gases, and simply throttle the waste gases to the atmosphere.

Reducing the size and complexity, as well as the cost, of Brayton cycle engines is important. In addition, improving the efficiency of Brayton cycle engines and/or their components is important. Manufacturers of Brayton cycle engines are continually searching for better and more economical ways of producing Brayton cycle engines.

## SUMMARY OF THE INVENTION

According to one embodiment of the invention, a gerotor apparatus includes a first gerotor, a second gerotor, and a synchronizing system operable to synchronize a rotation of the first gerotor with a rotation of the second gerotor. The synchronizing system includes a cam plate coupled to the first gerotor, wherein the cam plate includes a plurality of cams, and an alignment plate coupled to the second gerotor. The alignment plate includes at least one alignment member, wherein the plurality of cams and the at least one alignment member interact to synchronize a rotation of the first gerotor with a rotation of the second gerotor.

Embodiments of the invention provide a number of technical advantages. Embodiments of the invention may include all, some, or none of these advantages. One technical advantage is a more compact and lightweight Brayton cycle engine having simpler gas flow paths, less loads on bearings, and lower power consumption. Some embodiments have fewer parts than previous Brayton cycle engines. Another advantage is that the present invention introduces a simpler method for regulating leakage from gaps. An additional advantage is that the oil path is completely separated from the high-pressure gas preventing heat transfer from the gas to the oil, or entrainment of oil into the gas. A further advantage is that precision alignment between the inner and outer gerotors may be achieved through a single part (e.g., a rigid shaft). A still further advantage is that drive mechanisms disclosed herein have small backlash and low wear.

Other technical advantages are readily apparent to one skilled in the art from the following figures, descriptions, and claims.

## BRIEF DESCRIPTION OF THE DRAWINGS

For a more complete understanding of example embodiments of the present invention and its advantages, reference is now made to the following description, taken in conjunction with the accompanying drawings, in which:

FIG. 1 illustrates a cross-section of an example gerotor apparatus having an integrated synchronizing system in accordance with one embodiment of the invention;

FIG. 2 illustrates an example method for determining the shape of cam plates according to one embodiment of the present invention;

FIG. 3 is a cross-sectional view of a synchronizing system taken through cams and alignment members;

FIG. 4 illustrates a cross-section of an example gerotor apparatus having an integrated synchronizing system in accordance with another embodiment of the invention;

FIG. 5 illustrates a cross-section of an example gerotor apparatus having an integrated synchronizing system in accordance with another embodiment of the invention;

FIG. 6 illustrates a cross-section of an example gerotor apparatus having an integrated synchronizing system in accordance with another embodiment of the invention;

FIG. 7 illustrates a cross-section of an example self-synchronizing gerotor apparatus in accordance with another embodiment of the invention;

FIGS. 8A-8D illustrate cross-sectional views A and B of an outer gerotor and an inner gerotor taken along line A and line B, respectively, shown in FIG. 7, according to various embodiments of the invention;

FIG. 9 illustrates a cross-section of a system including a gerotor apparatus located within a chamber such that a portion of chamber on one side of gerotor apparatus is at a

higher pressure than a portion of chamber on the other side of gerotor apparatus, in accordance with one embodiment of the invention;

FIG. 10 illustrates example cross-sections of outlet valve plate taken along line C of FIG. 9 according to two embodiments of the invention;

FIG. 11 illustrates example cross-sections of inlet valve plate and outer gerotor taken along lines D and E, respectively, shown in FIG. 9 according to one embodiment of the invention;

FIG. 12 illustrates an example cross-section of a dual gerotor apparatus according to one embodiment of the invention;

FIG. 13 illustrates an example cross-section of a dual gerotor apparatus having a motor (or generator) according to another embodiment of the invention;

FIG. 14 illustrates an example cross-section of a side-breathing engine system 300j in accordance with one embodiment of the invention;

FIG. 15 illustrates example cross-sections of engine system taken along lines F and G, respectively, shown in FIG. 14 according to one embodiment of the invention;

FIG. 16 illustrates an example cross-section of a face-breathing engine system in accordance with one embodiment of the invention;

FIGS. 17 A-17D illustrate example cross-sections of an engine system taken along lines H and I, respectively, shown in FIG. 16, according to various embodiments of the invention;

FIG. 18 illustrates an example cross-section of a face-breathing engine system in accordance with another embodiment of the invention;

FIG. 19 illustrates an example cross-section of a face-breathing engine system in accordance with another embodiment of the invention;

FIGS. 20-22 illustrates example cross-sections of face-breathing engine systems in accordance with three other embodiments of the invention;

FIG. 23 illustrates an example cross-section of an engine system in accordance with another embodiment of the invention;

FIG. 24 illustrates an example cross-section of an engine system in accordance with another embodiment of the invention;

FIG. 25 illustrates an example cross-section of an engine system in accordance with another embodiment of the invention;

FIG. 26 illustrates an example cross-section of a compressor-expander system in accordance with another embodiment of the invention;

FIG. 27 illustrates an example cross-section of a gerotor apparatus having a sealing system to reduce fluid (e.g., gas) leakage in accordance with one embodiment of the invention;

FIG. 28 illustrates example cross-sections of three alternative embodiments of a sealing system similar to sealing system shown in FIG. 27;

FIG. 29 illustrates a method of forming a sealing system in accordance with one embodiment of the invention;

FIG. 30 illustrates an example cross-section of a liquid-processing gerotor apparatus in accordance with one embodiment of the invention;

FIGS. 31A-31D illustrate example cross-sections of a liquid-processing gerotor apparatus taken along lines J and K, respectively, shown in FIG. 30, according to various embodiments of the invention;



5

FIG. 32 illustrates example cross-sections of valve plate of liquid-processing gerotor apparatus shown in FIG. 30 according to two different embodiments of the invention;

FIG. 33 illustrates an example cross-section of a liquid-processing gerotor apparatus in accordance with another embodiment of the invention;

FIG. 34 illustrates an example cross-section of a dual gerotor apparatus having an integrated motor or generator, according to another embodiment of the invention;

FIG. 35A illustrates an example cross-section of a dual gerotor apparatus having an integrated motor or generator, according to another embodiment of the invention;

FIG. 35B illustrates an example cross-section of a dual gerotor apparatus having an integrated motor or generator, according to another embodiment of the invention;

FIG. 36 illustrates example cross-sections of dual gerotor apparatuses, according to other embodiments of the invention;

FIG. 37 illustrates example cross-sections of dual gerotor apparatuses, according to other embodiments of the invention;

FIG. 38 illustrates an example cross-section of a face-breathing engine system in accordance with one embodiment of the invention;

FIG. 39 illustrates example cross-sectional views S, T and D of engine system taken along lines S, T and D, respectively, shown in FIG. 38 according to one embodiment of the invention;

FIG. 40 illustrates example cross-sectional views V, Wand X of engine system taken along lines V, Wand X, respectively, shown in FIG. 38 according to one embodiment of the invention;

FIG. 41 illustrates example cross-sectional views Y and Z of engine system taken along lines Y and Z, respectively, shown in FIG. 38 according to one embodiment of the invention;

FIG. 42 illustrates an example cross-section of a gerotor apparatus including a synchronizing system in accordance with one embodiment of the invention;

FIG. 43 illustrates a cross-section view of gerotor apparatus taken through line AA shown in FIG. 42;

FIG. 44 illustrates an example cross-section of a gerotor apparatus including a synchronizing system in accordance with one embodiment of the invention;

FIG. 45 illustrates a cross-section view of gerotor apparatus taken through line BB shown in FIG. 44;

FIGS. 46-49 illustrate a gerotor apparatus according to one embodiment of the invention that is based upon;

FIG. 50 illustrates a gerotor apparatus according to another embodiment of the invention, which may only function as a compressor;

FIG. 51 illustrates a gerotor apparatus according to another embodiment of the invention, which may only function as a compressor;

FIG. 52 illustrates a gerotor apparatus according to another embodiment of the invention;

FIGS. 53-55 illustrate a gerotor apparatus according to another embodiment of the invention;

FIG. 56 illustrates a gerotor apparatus according to another embodiment of the invention;

FIG. 57 illustrates a gerotor apparatus according to another embodiment of the invention;

FIG. 58 illustrates a gerotor apparatus according to another embodiment of the invention;

FIG. 59 illustrates a gerotor apparatus according to another embodiment of the invention;

6

FIG. 60 illustrates a gerotor apparatus according to another embodiment of the invention;

FIG. 61 illustrates a gerotor apparatus according to another embodiment of the invention;

FIG. 62 illustrates a gerotor apparatus according to another embodiment of the invention;

FIG. 63 illustrates a gerotor apparatus according to another embodiment of the invention;

FIG. 64 illustrates a gerotor apparatus according to another embodiment of the invention;

FIG. 65 illustrates a gerotor apparatus according to another embodiment of the invention;

FIG. 66 illustrates a gerotor apparatus according to another embodiment of the invention;

FIG. 67 illustrates a gerotor apparatus according to another embodiment of the invention;

FIG. 68 illustrates a gerotor apparatus according to another embodiment of the invention;

FIG. 69 illustrates a gerotor apparatus according to another embodiment of the invention;

FIG. 70 shows a method by which a track may be scribed onto an inner gerotor, such as inner gerotor, according to an embodiment of the invention;

FIG. 71 illustrates a gerotor apparatus according to another embodiment of the invention;

FIG. 72 shows pegs located on outer gerotor sliding along track, according to an embodiment of the invention;

FIG. 73 illustrates a gerotor apparatus according to another embodiment of the invention;

FIG. 74 illustrates a gerotor apparatus according to another embodiment of the invention;

FIG. 75 illustrates a gerotor apparatus according to another embodiment of the invention;

FIG. 76 shows a plurality of pegs and a track for gerotor apparatus, according to an embodiment of the invention;

FIGS. 77-80 illustrate a face-breathing engine system in accordance with one embodiment of the invention;

FIGS. 81-86 illustrate a face-breathing engine system in accordance with another embodiment of the invention;

FIG. 87 shows an inner gerotor having a plurality of notches that provide extra area for gases to leave through the exhaust port allowing for more efficient breathing, according to an embodiment of the invention;

FIG. 88 shows support rings or strengthening bands that wrap around an outer gerotor that provide support to the wall of outer gerotor, according to an embodiment of the invention;

FIG. 89 shows that seals require notches to accommodate strengthening bands, according to an embodiment of the invention;

FIG. 90 shows a conventional sealing system for a tip-breathing gerotor, according to an embodiment of the invention;

FIG. 91 illustrates a face-breathing gerotor apparatus according to one embodiment of the invention that allows for an upper valve plate and a lower valve plate at opposite ends thereof;

FIG. 92 illustrates a face-breathing gerotor apparatus according to one embodiment of the invention that allows for an upper valve plate and a lower valve plate at opposite ends thereof;

FIG. 93 illustrates a face-breathing gerotor apparatus according to one embodiment of the invention that allows for an upper valve plate and a lower valve plate at opposite ends thereof;

FIG. 94 illustrates a face-breathing gerotor apparatus according to one embodiment of the invention that allows for an upper valve plate and a lower valve plate at opposite ends thereof;

FIG. 95 shows that a gap opens up at the top tip of inner gerotor, according to an embodiment of the invention;

FIG. 96 shows that a phase-shifted set of tips may be added to an outer gerotor of a synchronization system thereby giving additional contacting surfaces which spread the load over a wider surface area, according to an embodiment of the invention;

FIG. 97 shows that a plurality of tips of an inner synchronization gerotor may be comprised of full cylinders, according to an embodiment of the invention;

FIG. 98 shows even more phase-shifted sets of tips may be added to both the outer gerotor and inner gerotor, respectively, according to an embodiment of the invention;

FIG. 99 shows that this may be reversed; the male tips may be on the outer gerotor and the female tips on the inner gerotor, according to an embodiment of the invention;

FIG. 100 illustrates a face-breathing gerotor apparatus according to another embodiment of the invention;

FIG. 101 illustrates a face-breathing gerotor apparatus according to another embodiment of the invention;

FIG. 102 illustrates a face-breathing gerotor apparatus according to another embodiment of the invention;

FIG. 103 illustrates a face-breathing gerotor apparatus according to another embodiment of the invention;

FIG. 104 shows that liquid water may be added to a combustor when a power boost is desired;

FIG. 105 illustrates the reference point traces of a hypocycloid, hypotrochoid, epicycloid, and epitrochoids; and

FIG. 106 illustrates an example of adding an offset to hypocycloid, hypotrochoid, epicycloid, and epitrochoids to strengthen tips.

#### DETAILED DESCRIPTION OF EXAMPLE EMBODIMENTS OF THE INVENTION

FIGS. 1 through 104 below illustrate example embodiments of a gerotor apparatus within the teachings of the present invention. Generally, the following detailed description describes gerotor apparatuses as being used in the context of a gerotor compressor; however, some of the following gerotor apparatuses may function equally as well as gerotor expanders or other suitable gerotor apparatuses. In addition, the present invention contemplates that the gerotor apparatuses described below may be utilized in any suitable application; however, the gerotor apparatuses described below are particularly suitable for a quasi-isothermal Brayton cycle engine, such as the one described in U.S. Pat. No. 6,336,317 B1 ("the '317 patent") issued Jan. 8, 2002. The '317 patent, which is herein incorporated by reference, describes the general operation of a gerotor compressor and/or a gerotor expander. Hence, the operation of some of the gerotor apparatuses described below may not be described in detail.

Embodiments of the invention may provide a number of technical advantages, such as a more compact and lightweight design of a gerotor compressor or expander having simpler gas flow paths, less loads on bearings, and lower power consumption. In addition, some embodiments of the invention introduce a simpler method for regulating leakage from gaps, provide for precision alignment between the inner and outer gerotors, and introduce drive mechanisms that have small backlash and low wear. These technical advantages may be facilitated by all, some, or none of the

embodiments described below. In addition, in some embodiments, the technology described herein may be utilized in conjunction with the technology described in U.S. patent application Ser. No. 10/359,487, which is herein incorporated by reference.

FIG. 1 illustrates a cross-section of an example gerotor apparatus 10a having an integrated synchronizing system 18a in accordance with one embodiment of the invention. Gerotor apparatus 10a includes a housing 12a, an outer gerotor 14a disposed within housing 12a, an inner gerotor 16a at least partially disposed within outer gerotor 14a, and a synchronizing system 18a at least partially housed within a synchronizing system housing 20a. More particularly, outer gerotor 14a at least partially defines an outer gerotor chamber 30a, and inner gerotor 16a is at least partially disposed within outer gerotor chamber 30a. Gerotor apparatus 10a may be designed as either a compressor or an expander, depending on the embodiment or intended application.

Housing 12a includes a valve plate 40a that includes one or more fluid inlets 42a and one or more fluid outlets 44a. Fluid inlets 42a generally allow fluids, such as gasses, liquids, or liquid-gas mixtures, to enter outer gerotor chamber 30a. Likewise, fluid outlets 44a generally allow fluids within outer gerotor chamber 30a to exit from outer gerotor chamber 30a. Fluid inlets 42a and fluid outlets 44a may have any suitable shape and size. In some embodiments, such as embodiments in which apparatus 10a is used for communicating compressible fluids, such as gasses or liquid-gas mixtures, the total area of the one or more fluid inlets 42a is different than the total area of the one or more fluid outlets 44a. In embodiments in which apparatus 10a is a compressor, the total area of fluid inlets 42a may be greater than the total area of fluid outlets 44a. Conversely, in embodiments in which apparatus 10a is an expander, the total area of fluid inlets 42a may be less than the total area of fluid outlets 44a.

As shown in FIG. 1, outer gerotor 14a may be rigidly coupled to a first shaft 50a having a first axis, which shaft 50a may be rotatably coupled to a hollow cylindrical portion of housing 12a, such as by one or more ring-shaped bearings 52a. Thus, first shaft 50a and outer gerotor 14a may rotate together about the first axis relative to housing 12a and inner gerotor 16a. In some embodiments, first shaft 50a is a drive shaft operable to drive the operation of gerotor apparatus 10a. Inner gerotor 16a may be rotatably coupled to a second shaft 54a having a second axis offset from (i.e., not aligned with) the first axis. Second shaft 54a may be rigidly coupled to, or integral with, housing 12a, such as by one or more ring-shaped bearings 56a. Thus, inner gerotor 16a may rotate together about the second axis relative to housing 12a and outer gerotor 14a.

In this embodiment, synchronizing system 18a includes a cam plate 22a including one or more cams 24a interacting with an alignment plate 26a including one or more alignment members 28a. Cam plate 22a is rigidly coupled to inner gerotor 16a, and alignment plate 26a is rigidly coupled to outer gerotor 14a via first shaft 50a. In alternative embodiments, cam plate 22a may be coupled to outer gerotor 14a and alignment plate 26a may be coupled to inner gerotor 16a. Cam plate 22a and alignment plate 26a cooperate to synchronize the relative motion of outer gerotor 14a and inner gerotor 16a. During operation of gerotor apparatus 10a, alignment members 28a ride against the surfaces of cams 24a, which synchronizes the relative motion of outer gerotor 14a and inner gerotor 16a. Alignment members 28a may include pegs or any other suitable members that may

interact with cams **24a**. Synchronizing system **18a** may include a lubricant **60a** operable to reduce friction between cams **24a** and alignment members **28a**. Synchronizing system **18a** is discussed in greater detail below with reference to FIGS. 2 and 3.

As discussed above, synchronizing system **18a** may be partially or substantially housed within synchronizing system housing **20a**. In this embodiment, synchronizing system housing **20a** is coupled to first axis **50a** and second axis **54a** and, because first axis **50a** and second axis **54a** are offset from each other, synchronizing system housing **20a** is restricted from rotating relative to housing **12a**. Synchronizing system housing **20a** may be operable to restrict lubricant **60a** from flowing into the portions of outer gerotor chamber **30a** though which fluids are communicated during the operation of gerotor apparatus **10a**. Such portions of outer gerotor chamber **30a** are indicated in FIG. 1 as fluid-flow passageways **32a**. Thus, synchronizing system housing **20a** may substantially prevent lubricant **60a** from mixing with fluids flowing through fluid-flow passageways **32a**, and vice versa.

FIG. 2 illustrates an example method for determining the shape of cams **24a** of cam plate **22a** according to one embodiment of the present invention. As shown in FIG. 2, a rigid bar **70** is attached to an outer gerotor **14**. As inner gerotor **16** and outer gerotor **14** rotate, a point **72** located on bar **70** traces a path **74** (or scribes a line) on inner gerotor **16**, the shape of which path **74** is shown in FIG. 3 as a dashed line.

FIG. 3 is a cross-sectional view of synchronizing system **18a** taken through cams **24a** and alignment members (here, pegs) **28a**. In some embodiments, the number of cams **24a** on cam plate **22a** is different than the number of alignment members **28a** on alignment plate **26a**. For example, in a particular embodiment, cam plate **22a** includes seven cams **24a**, while alignment plate **26a** includes six alignment members **28a**. The shape of cams **24a** corresponds with the path **74** determined as described above. In this embodiment, each cam **24a** has a “dog bone” shape including a first surface **80a** and a second surface **82a** that guide alignment members **28a** along portions of path **74** as outer gerotor **14a** and inner gerotor **16a** rotate relative to each other, thus keeping outer gerotor **14a** and inner gerotor **16a** in alignment. The “dog bone” shape may have a narrower width across an inner portion than the width at either end of the shape.

In the embodiment shown in FIG. 3, at any instant during the rotation of outer gerotor **14a** and inner gerotor **16a**, at least two alignment members **28a** are touching the first surface **80a** or second surface **82a** of one of the cams **24a**. If cam plate **22a** is held rigid, one alignment member **28a** prevents alignment plate **26a** from rotating clockwise, and another alignment member **28a** prevents alignment plate **26a** from rotating counter-clockwise. When cam plate **22a** rotates about its center, cams **24a** and alignment members **28a** cooperate to synchronize the motion of outer gerotor **14a** and inner gerotor **16a**.

FIG. 4 illustrates a cross-section of an example gerotor apparatus **10b** having an integrated synchronizing system **18b** in accordance with another embodiment of the invention. Like gerotor apparatus **10a** shown in FIG. 1, gerotor apparatus **10b** includes a housing **12b**, an outer gerotor **14b** disposed within housing **12b**, an inner gerotor **16b** at least partially disposed within outer gerotor **14b**, and a synchronizing system **18b** including a cam plate **22b** and an alignment plate **26b**. Outer gerotor **14b** at least partially defines an outer gerotor chamber **30b**, and inner gerotor **16b** is at

least partially disposed within outer gerotor chamber **30b**. Outer gerotor **14b** is rigidly coupled to a first shaft **50b**, which is rotatably coupled to housing **12b**, and inner gerotor **16b** is rotatably coupled to a second shaft **54b** rigidly coupled to, or integral with, housing **12b**. Gerotor apparatus **10b** may be designed as either a compressor or an expander, depending on the embodiment or intended application.

However, unlike gerotor apparatus **10a**, synchronizing system **18b** of gerotor apparatus **10b** is partially or substantially enclosed by a dam **90b** and a plug **92b**. Dam **90b** may comprise a cylindrical member rigidly coupled to, or integral with, inner gerotor **16b**, and plug **92b** may also comprise a cylindrical member. Plug **92b** may be coupled to dam **90b** and shaft **50b**, such as by one or more bearings, such that plug **92b** forms a seal between inner gerotor **16b** and shaft **50b**. In the embodiment shown in FIG. 4, plug **92b** is coupled to shaft **50b** by a first, smaller bearing **94b** and to dam **90b** by a second, larger bearing **96b**. Dam **90b** and plug **92b** may be operable to restrict a lubricant **60b** from flowing into fluid-flow passageways **32b** of outer gerotor chamber **30b**. Thus, dam **90b** and plug **92b** may substantially prevent lubricant **60b** from mixing with fluids flowing through fluid-flow passageways **32b**, and vice versa.

FIG. 5 illustrates a cross-section of an example gerotor apparatus **10c** having an integrated synchronizing system **18c** in accordance with another embodiment of the invention. Like gerotor apparatus **10a** shown in FIG. 1, gerotor apparatus **10c** includes a housing **12c**, an outer gerotor **14c** disposed within housing **12c**, an inner gerotor **16c** at least partially disposed within outer gerotor **14c**, and a synchronizing system **18c** including a number of cams **24c** interacting with a number of alignment members **28c**. Outer gerotor **14c** at least partially defines an outer gerotor chamber **30c**, and inner gerotor **16c** is at least partially disposed within outer gerotor chamber **30c**. Outer gerotor **14c** and inner gerotor **16c** are rotatably coupled to a single shaft **100c** rigidly coupled to housing **12c**. In particular, outer gerotor **14c** is rotatably coupled to a first portion **102c** of shaft **100c** having a first axis about which outer gerotor **14c** rotates, and inner gerotor **16c** is rotatably coupled to a second portion **104c** of shaft **100c** having a second axis about which inner gerotor **16c** rotates, the second axis being offset from the first axis. Gerotor apparatus **10c** may be designed as either a compressor or an expander, depending on the embodiment or intended application.

Synchronizing system **18c** is partially enclosed by a dam **90c**. Dam **90c** may comprise a cylindrical member rigidly coupled to, or integral with, inner gerotor **16c** proximate a first end **110c** of inner gerotor **16c**. In this embodiment, dam **90c** does not completely seal synchronizing system **18c** from portions of outer gerotor chamber **30c** though which fluids are communicated during the operation of gerotor apparatus **10c**, indicated in FIG. 5 as fluid-flow passageways **32c**. A lubricant **60c** may be used to lubricate synchronizing system **18c**. In this embodiment, lubricant **60c** may be grease or a similar lubricant. Dam **90c** may help keep lubricant **60c** from escaping into fluid-flow passageways **32c**, thus preventing or reducing the amount of lubricant **60c** mixing with fluids flowing through fluid-flow passageways **32b**, and vice versa.

FIG. 6 illustrates a cross-section of an example gerotor apparatus **10d** having an integrated synchronizing system **18d** in accordance with another embodiment of the invention. Gerotor apparatus **10d** is similar to gerotor apparatus **10c** shown in FIG. 5, including a housing **12d**, an outer gerotor **14d**, an inner gerotor **16d**, and a synchronizing system **18d**. Synchronizing system **18d** includes an align-

ment plate **26d** rigidly coupled to outer gerotor **14d** by a cylindrical member **120d**. Gerotor apparatus **10d** further includes a dam **90d** coupled to, or integral with, inner gerotor **16d**, and a plug **92d** that cooperates with dam **90d** to substantially enclose synchronizing system **18d**. Plug **92d** may comprise a cylindrical member, and may be coupled to dam **90d** and shaft **100d**, such as by one or more bearings, such that plug **92d** forms a substantial seal between inner gerotor **16d** and shaft **100d**. In the embodiment shown in FIG. 6, plug **92d** is coupled to cylindrical member **120d** (and thus to outer gerotor **14d**) by a first, smaller bearing **94d**, and to dam **90d** by a second, larger bearing **96d**. Dam **90d** and plug **92d** may restrict a lubricant **60d** from flowing into fluid-flow passageways **32d** of outer gerotor chamber **30b**. Thus, dam **90d** and plug **92d** may substantially prevent lubricant **60d** from mixing with fluids flowing through fluid-flow passageways **32d**, and vice versa.

FIG. 7 illustrates a cross-section of an example self-synchronizing gerotor apparatus **10e** in accordance with another embodiment of the invention. Like gerotor apparatus **10a** shown in FIG. 1, gerotor apparatus **10e** includes a housing **12e**, an outer gerotor **14e** disposed within housing **12e**, an outer gerotor chamber **30e** at least partially defined by outer gerotor **14e**, and an inner gerotor **16e** at least partially disposed within outer gerotor chamber **30e**. Outer gerotor **14e** and inner gerotor **16e** are rotatably coupled to a single shaft **100e** rigidly coupled to housing **12e**. In particular, outer gerotor **14e** is rotatably coupled to a first portion **102e** of shaft **100e** having a first axis about which outer gerotor **14e** rotates, and inner gerotor **16e** is rotatably coupled to a second portion **104e** of shaft **100e** having a second axis about which inner gerotor **16e** rotates, the second axis being offset from the first axis. Gerotor apparatus **10e** may be designed as either a compressor or an expander, depending on the embodiment or intended application.

Outer gerotor **14e** includes an inner surface **130e** extending around the inner perimeter of outer gerotor **14e** and at least partially defining outer gerotor chamber **30e**. Inner gerotor **16e** includes an outer surface **132e** extending around the outer perimeter of inner gerotor **16e**. As inner gerotor **16e** and outer gerotor **14e** rotate relative to each other, at least portions of outer surface **132e** of inner gerotor **16e** contacts at least portions of inner surface **130e** of outer gerotor **14e**, which synchronizes the rotation of inner gerotor **16e** and outer gerotor **14e**. Thus, as shown in FIG. 7, outer surface **132e** of inner gerotor **16e** and inner surface **130e** of outer gerotor **14e** may provide the synchronization function that is provided by separate synchronization mechanisms **18** discussed herein with regard to other embodiments.

In order to reduce friction and wear between inner gerotor **16e** and outer gerotor **14e**, at least a portion of (a) outer surface **132e** of inner gerotor **16e** and/or (b) inner surface **130e** of outer gerotor **14e** is formed from one or more relatively low-friction materials **134e**, which portions may be referred to as low-friction regions **140e**. Such low-friction materials **134e** may include, for example, a polymer (phenolics, nylon, polytetrafluoroethylene, acetyl, polyimide, polysulfone, polyphenylene sulfide, ultrahigh-molecular-weight polyethylene), graphite, or oil-impregnated sintered bronze. In some embodiments, such as embodiments in which water is provided as a lubricant between outer surface **132e** of inner gerotor **16e** and inner surface **130e** of outer gerotor **14e**, low-friction materials **134e** may comprise VESCONITE.

Low-friction regions **140e** may include portions (or all) of inner gerotor **16e** and/or outer gerotor **14e**, or low-friction

implants coupled to, or integral with, inner gerotor **16e** and/or outer gerotor **14e**. Depending on the particular embodiment, such low-friction regions **140e** may extend around the inner perimeter of outer gerotor **14e** and/or the outer perimeter of inner gerotor **16e**, or may be located only at particular locations around the inner perimeter of outer gerotor **14e** and/or the outer perimeter of inner gerotor **16e**, such as proximate the tips of inner gerotor **16e** and/or outer gerotor **14e** as discussed below with respect to FIG. 8B. As shown in FIG. 7, low-friction regions **140e** may extend a slight distance beyond the outer surface **132e** of inner gerotor **16e** and/or inner surface **130e** of outer gerotor **14e** such that only the low-friction regions **140e** of inner gerotor **16e** and/or outer gerotor **14e** contact each other. Thus, there may be a narrow gap between the remaining, higher-friction regions **142e** of inner gerotor **16e** and outer gerotor **14e**, as indicated by arrow **144e** in FIG. 7. Higher-friction regions **142e** may have a higher coefficient of friction than corresponding low-friction regions **134e**.

In some embodiments, low-friction regions **140e** of inner gerotor **16e** and/or outer gerotor **14e** may sufficiently reduce friction and wear such that gerotor apparatus **10e** may be run dry, or without lubrication. However, in some embodiments, a lubricant **60e** is provided to further reduce friction and wear between inner gerotor **16e** and outer gerotor **14e**. As shown in FIG. 7, shaft **100e** may include a shaft lubricant channel **152e** and inner gerotor **16e** may include one or more inner gerotor lubricant channels **154e** terminating at one or more lubricant channel openings **156e** in the outer surface **132e** of inner gerotor **16e**. Lubricant channels **152e** and **154e** may provide a path for communicating a lubricant **60e** through lubricant channel openings **156e** such that lubricant **60e** may provide lubrication between outer surface **132e** of inner gerotor **16e** and inner surface **130e** of outer gerotor **14e**.

Lubricant **60e**, as well as any other lubricant discussed here, may include any one or more suitable substances suitable to provide lubrication between multiple surfaces, such as oils, graphite, grease, water, or any other suitable lubricants.

FIGS. 8A-8D illustrate cross-sectional views A and B of outer gerotor **14e** and inner gerotor **16e** taken along line A and line B, respectively, shown in FIG. 7, according to various embodiments of the invention. In the embodiment shown in FIG. 8A, view A, inner gerotor **16e** includes low-friction regions **140e** at each tip **160e** of inner gerotor **16e**. Lubricant channels **154e** provide passageways for communicating lubricant **60e** through lubricant channel openings **156e** such that lubricant **60e** may provide lubrication between outer surface **132e** of inner gerotor **16e** and inner surface **130e** of outer gerotor **14e**. Outer gerotor **14e** includes a low-friction region **140e** extending around the inner perimeter of outer gerotor **14e** and defining inner surface **130e** of outer gerotor **14e**. As discussed above, as inner gerotor **16e** and outer gerotor **14e** rotate relative to each other, at least portions of outer surface **132e** of inner gerotor **16e** contact inner surface **130e** of outer gerotor **14e**, which synchronizes the rotation of inner gerotor **16e** and outer gerotor **14e**.

View B of FIG. 8A is a cross-section taken through the portion of inner gerotor **16e** and outer gerotor **14e** not including low-friction region **140e**. As discussed above regarding FIG. 7, a narrow gap **144e** may be maintained between outer surface **132e** of inner gerotor **16e** and inner surface **130e** of outer gerotor **14e**. Thus, contact (and thus

## 13

friction and wear) between higher-friction regions 142e of inner gerotor 16e and outer gerotor 14e may be substantially reduced or eliminated.

In the embodiment shown in FIG. 8B, view A, inner gerotor 16e includes low-friction regions 140e at each tip 160e of inner gerotor 16e. Lubricant channels 154e provide passageways for communicating lubricant 60e through lubricant channel openings 156e such that lubricant 60e may provide lubrication between outer surface 132e of inner gerotor 16e and inner surface 130e of outer gerotor 14e. Outer gerotor 14e includes a low-friction region 140e proximate each tip 162e of inner surface 130e of outer gerotor 14e. Because a large portion of friction and wear between inner gerotor 16e and outer gerotor 14e occurs at tips 160e and 162e of inner gerotor 16e and outer gerotor 14e, respectively, limiting low-friction regions 140e to areas near tips 160e and 162e may reduce costs where low-friction materials 134e are relatively expensive and/or provide additional structural integrity where low-friction regions 140e are less durable than higher-friction regions 142e. View B of FIG. 8B is similar or identical to View B of FIG. 8A, wherein the complete cross-sections of both inner gerotor 16e and outer gerotor 14e at section B are higher-friction regions 142e.

In the embodiment shown in FIG. 8C, view A, the complete cross-section of inner gerotor 16e at section A is a low-friction region 140e formed from a low-DALOI friction material 134e. Again, lubricant channels 154e provide passageways for communicating lubricant 60e through lubricant channel openings 156e such that lubricant 60e may provide lubrication between outer surface 132e of inner gerotor 16e and inner surface 130e of outer gerotor 14e. Outer gerotor 14e is a higher-friction region 140e formed from a higher-friction material. Providing inner gerotor 16e having a complete cross-section formed from a low-friction material 134e may provide manufacturing advantages over other embodiments that include both low-friction regions 140e and higher-friction regions 142e at a particular cross-section. View B of FIG. 8C is similar or identical to View B of FIG. 8A, wherein the complete cross-sections of both inner gerotor 16e and outer gerotor 14e at section B are higher-friction regions 142e.

In the embodiment shown in FIG. 8D, view A, the complete cross-sections of both inner gerotor 16e and outer gerotor 14e at section A are low-friction regions 140e formed from one or more low-friction materials 134e. Again, lubricant channels 154e provide passageways for communicating lubricant 60e through lubricant channel openings 156e such that lubricant 60e may provide lubrication between outer surface 132e of inner gerotor 16e and inner surface 130e of outer gerotor 14e. View B of FIG. 8D is similar or identical to View B of FIG. 8A, wherein the complete cross-sections of both inner gerotor 16e and outer gerotor 14e at section B are higher-friction regions 142e.

FIG. 9 illustrates a cross-section of a system 190f including a gerotor apparatus 10f located within a chamber 200f such that a portion of chamber 200f on one side of gerotor apparatus 10f is at a higher pressure than a portion of chamber 200f on the other side of gerotor apparatus 10f, in accordance with one embodiment of the invention. Gerotor apparatus 10f is generally located between a first chamber portion 202f and a second chamber portion 204f of chamber 200f, such that gas or other fluids may pass from first chamber portion 202f, through a first face 206f of gerotor apparatus 10f, though one or more fluid flow passageways

## 14

32f defined by gerotor apparatus 10f, and through a second face 208f of gerotor apparatus 10f and into second chamber portion 204f.

Gerotor apparatus 10f may be designed as either a compressor or an expander, depending on the embodiment or intended application. A compressible fluid 192f, such as a gas or gas-liquid mixture, may be run through system 190f, including through first chamber portion 202f, gerotor apparatus 10f, and second chamber portion 204f. In embodiments in which gerotor apparatus 10f is a compressor, compressible fluid 192f may flow through first chamber portion 202f at a first pressure, become compressed within gerotor apparatus 10f, and flow through second chamber portion 204f at a second pressure higher than the first pressure. Conversely, in embodiments in which gerotor apparatus 10f is an expander, the compressible fluid 192f may flow through first chamber portion 202f at a first pressure, expand within gerotor apparatus 10f, and flow through second chamber portion 204f at a second pressure lower than the first pressure. In some embodiments, chamber 200f is a vacuum chamber. In some embodiments, system 190f may be a portion of an air conditioning system. In a particular embodiment, system 190f is part of a water-based air conditioning system.

Like gerotor apparatus 10e shown in FIG. 7, gerotor apparatus 10f includes a housing 12f, an outer gerotor 14f disposed within housing 12f, an outer gerotor chamber 30f at least partially defined by outer gerotor 14f, and an inner gerotor 16f at least partially disposed within outer gerotor chamber 30f. Outer gerotor 14f and inner gerotor 16f are rotatably coupled to a single shaft 100f rigidly coupled to housing 12f. In particular, outer gerotor 14f is rotatably coupled to a first portion 102f of shaft 100f having a first axis about which outer gerotor 14f rotates, and inner gerotor 16f is rotatably coupled to a second portion 104f of shaft 100f having a second axis about which inner gerotor 16f rotates, the second axis being offset from the first axis.

Housing 12f includes a fluid outlet plate 40f and a fluid inlet plate 41f. Fluid inlet plate 41f includes at least one inlet opening 214f (see FIG. 11, discussed below) allowing fluids to pass through. Outer gerotor 14f also includes at least one inlet opening 216f (see FIG. 11, discussed below) allowing fluids to pass through during the rotation of outer gerotor 14f. Together, openings 214f and 216f comprise a fluid inlet port 218f allowing fluids (such as gas or water, for example) to flow from first chamber portion 202f into fluid flow passageways 32f of gerotor apparatus 10f, as indicated by arrow 220f. Fluid outlet plate 40f includes at least one outlet opening 224f and/or check valve 230f (see FIG. 10, discussed below) allowing fluids to flow from fluid flow passageways 32f of gerotor apparatus 10f into second chamber portion 204f, as indicated by arrow 226f.

In this particular embodiment, gerotor apparatus 10f is a self-synchronizing gerotor apparatus 10f similar to gerotor apparatus 10e shown in FIG. 7 as discussed above. For example, at least a portion of (a) outer surface 132f of inner gerotor 16f and/or (b) inner surface 130f of outer gerotor 14f of gerotor apparatus 10f may include one or more low-friction regions 140f formed from low-friction materials 134f in order to reduce friction and wear between inner gerotor 16f and outer gerotor 14f, thus allowing outer surface 132f of inner gerotor 16f and inner surface 130f of outer gerotor 14f to synchronize the rotation of inner gerotor 16f and outer gerotor 14f. Low-friction regions 140f may extend a slight distance beyond the outer surface 132f of inner gerotor 16f and/or inner surface 130f of outer gerotor 14f to provide a narrow gap 144f between remaining,

15

higher-friction regions 142f of inner gerotor 16f and outer gerotor 14f such that only the low-friction regions 140f of inner gerotor 16f and/or outer gerotor 14f contact each other. In other embodiments, gerotor apparatus 10f may include a synchronizing system 18f, such as shown in FIGS. 1-6, for example. In addition, in some embodiments, as shown in FIG. 9, a lubricant 60f may be communicated through lubricant channels 152f and 154f to provide lubrication between outer surface 132f of inner gerotor 16f and inner surface 130f of outer gerotor 14f.

FIG. 10 illustrates example cross-sections of outlet valve plate 40f taken along line C of FIG. 9 according to two embodiments of the invention. In the first embodiment, C1, outlet valve plate 40f includes an outlet opening 224f allowing fluids to exit fluid flow passageways 32f into second chamber portion 204f. In some embodiments in which gerotor apparatus 10f is a compressor, the area of outlet opening 224f is smaller than the total area of inlet opening(s) 214f formed in inlet valve plate 41f (see FIG. 11, discussed below).

In the second embodiment, C2, outlet valve plate 40f includes an outlet opening 224f, as well as one or more check valves 230f, allowing fluids to exit fluid flow passageways 32f into second chamber portion 204f. Providing one or more check valves 230f allows various types of fluids 192f to be run through gerotor apparatus 10f, such as gasses, liquids (e.g., water), and gas-liquid mixtures. The area of outlet opening 224f may be smaller than the total area of inlet opening(s) 214f formed in inlet valve plate 41f (see FIG. 11, discussed below). The total area of outlet opening 224f and check valves 230f may be approximately equal to the total area of inlet opening(s) 214f formed in inlet valve plate 41f. The appropriate check valves 230f may open to discharge the particular fluid 192f running through gerotor apparatus 10f. For example, if a low compression ratio is required for the application, all of the check valves 230f may open. If a high compression ratio is required, none of the check valves 230f may open. If an intermediate compression ratio is required, then some of the check valves 230f may open. Check valves 230f may open or close slowly, which is particularly useful for applications that operate at low pressures, such as water-based air conditioning. At low pressures, there may be insufficient force available to rapidly move the mass of the check valve 230f. Check valves 230f may be particularly valuable for protecting compressor apparatus 10f from damage from liquids. For instance, if there is relatively large amount of liquid in the compressor, it may have difficulty exiting outlet opening 224f. In this case, the pressure would rise allowing check valves 230f to pop open and release the liquid, which is non-compressible, which may protect compressor apparatus 10f from damage.

FIG. 11 illustrates example cross-sections of inlet valve plate 41f and outer gerotor 14e taken along lines D and E, respectively, shown in FIG. 9 according to one embodiment of the invention. Inlet valve plate 41f includes one or more inlet opening 214f allowing fluids to enter fluid flow passageways 32f from first chamber portion 202f. In some embodiments in which gerotor apparatus 10f is a compressor, the area of inlet opening 214f is larger than the total area of outlet opening(s) 224f formed in outlet valve plate 40f (see FIG. 10, discussed above). As discussed above, at cross-section E, outer gerotor 14f includes at least one inlet opening 214f (see FIG. 11, discussed below) allowing fluids to pass through during the rotation of outer gerotor 14f. In this embodiment, outer gerotor 14f has a spoked hub shape at cross-section E, forming a plurality of inlet openings 214f. However, the portion of outer gerotor 14f interfacing first

16

chamber portion 202f may be otherwise configured to provide one or more inlet openings 214f allowing fluids to enter fluid flow passageways 32f from first chamber portion 202f.

FIG. 12 illustrates an example cross-section of a dual gerotor apparatus 250g according to one embodiment of the invention. Dual gerotor apparatus 250g includes a housing 12g and an integrated pair of gerotor apparatuses, including a first gerotor apparatus 10g proximate a first face 252g of apparatus 250g and a second gerotor apparatus 10g' proximate a second face 254g of apparatus 250g generally opposite first face 252g. First gerotor apparatus 10g and second gerotor apparatus 10g' may both be compressors, may both be expanders, or may include one expander and one compressor, depending on the particular embodiment or application. Each gerotor apparatus 10g and 10g' may be partially or substantially similar to those otherwise described herein, such as gerotor apparatus 10e shown in FIG. 7 and discussed above, for example.

Like gerotor apparatus 10e shown in FIG. 7, gerotor apparatus 10g includes an outer gerotor 14g disposed within housing 12g, an outer gerotor chamber 30g at least partially defined by outer gerotor 14g, and an inner gerotor 16g at least partially disposed within outer gerotor chamber 30g. Outer gerotor 14g and inner gerotor 16g are rotatably coupled to a single shaft 100g rigidly coupled to housing 12g. In particular, outer gerotor 14g is rotatably coupled to a first portion 102g of shaft 100g having a first axis about which outer gerotor 14g rotates, and inner gerotor 16g is rotatably coupled to a second portion 104g of shaft 100g having a second axis about which inner gerotor 16g rotates, the second axis being offset from the first axis.

Similarly, gerotor apparatus 10g' includes an outer gerotor 14g' disposed within housing 12g, an outer gerotor chamber 30g' at least partially defined by outer gerotor 14g', and an inner gerotor 16g' at least partially disposed within outer gerotor chamber 30g'. Outer gerotor 14g' may be rigidly coupled to, or integral with, outer gerotor 14g of gerotor apparatus 10g. In alternative embodiments, inner gerotor 16g' may be rigidly coupled to, or integral with, inner gerotor 16g of gerotor apparatus 10g. Outer gerotor 14g' and inner gerotor 16g' are rotatably coupled to shaft 100g rigidly coupled to housing 12g. In particular, outer gerotor 14g' is rotatably coupled to first portion 102g of shaft 100g, and inner gerotor 16g' is rotatably coupled to a third portion 105g of shaft 100g having a third axis about which inner gerotor 16g' rotates, the third axis being offset from the first axis. The third axis about which inner gerotor 16g' rotates may be co-axial with the second axis about which inner gerotor 16g rotates.

Housing 12g includes a first valve plate 40g proximate first face 252g of apparatus 250g and operable to control the flow of fluids through first gerotor apparatus 10g, and a second valve plate 40g' proximate second face 254g of apparatus 250g and operable to control the flow of fluids through second gerotor apparatus 10g'. First valve plate 40g includes at least one fluid inlet 42g allowing fluids to enter fluid flow passageways 32g of gerotor apparatus 10g, and at least one fluid outlet 44g allowing fluids to exit fluid flow passageways 32g of gerotor apparatus 10g. Similarly, second valve plate 40g' includes at least one fluid inlet 42g' allowing fluids to enter fluid flow passageways 32g' of gerotor apparatus 10g', and at least one fluid outlet 44g' allowing fluids to exit fluid flow passageways 32g' of gerotor apparatus 10g'. Having fluid inlets 42g and 42g' and fluid outlets 44g and 44g' at each face 252g and 254g of apparatus 250g doubles the porting area into and out of dual gerotor apparatus 250g, which may provide more efficient fluid flow

17

and/or reduce or minimize porting losses as compared to an apparatus with a single gerotor apparatus 10.

In the embodiment shown in FIG. 12, each of gerotor apparatus 10g and 10g' is a self-synchronizing gerotor apparatus similar to gerotor apparatus 10e shown in FIG. 7 as discussed above. In other embodiments, gerotor apparatus 10g may include a synchronizing system 18g, such as shown in FIGS. 1-6, for example. In addition, in some embodiments, as shown in FIG. 12, a lubricant 60g may be communicated through appropriate lubricant channels to provide lubrication between inner gerotor 16g and outer gerotor 14g, such as described above with reference to FIG. 7.

As shown in FIG. 12, an imbedded motor 260g may drive dual gerotor apparatus 250g by driving rigidly coupled, or integrated, outer gerotors 14g and 14g', which may in turn drive inner gerotors 16g and 16g'. For example, motor 260g may drive one or more magnetic elements 262g coupled to, or integrated with, outer gerotors 14g and 14g'. Motor 260g may comprise any suitable type of motor, such as a permanent magnet motor, a switched reluctance motor (SRM), or an inductance motor, for example. In alternative embodiments, dual gerotor apparatus 250g may include an electric generator 264g (instead of a motor), which may be powered by the rotation of outer gerotors 14g and 14g'.

FIG. 13 illustrates an example cross-section of a dual gerotor apparatus 250h having a motor 260h (or generator 264h) according to another embodiment of the invention. Like dual gerotor apparatus 250g shown in FIG. 12, dual gerotor apparatus 250h includes a housing 12h and an integrated pair of gerotor apparatuses, including a first gerotor apparatus 10h proximate a first face 252h of apparatus 250h and a second gerotor apparatus 10h' proximate a second face 254h of apparatus 250h generally opposite first face 252h. First gerotor apparatus 10h and second gerotor apparatus 10h' may both be compressors, may both be expanders, or may include one expander and one compressor, depending on the particular embodiment or application. Gerotor apparatuses 10h and 10h' may be partially or substantially similar to gerotor apparatuses 10g and 10g' shown in FIG. 12 and described above.

However, unlike dual gerotor apparatus 250g shown in FIG. 12, dual gerotor apparatus 250h includes a rotatable shaft 270h coupled to the rigidly coupled outer gerotors 14h and 14h' by a coupling system 272h such that rotation of rigidly coupled outer gerotors 14h and 14h' causes rotation of shaft 270h and/or vice-versa. In the embodiment shown in FIG. 13, coupling system 272h includes a first gear 274h interacting with a second gear 276h. First gear 274h is rigidly coupled to a cylindrical member 278h rigidly coupled to outer gerotors 14h and 14h'. Second gear 276h is rigidly coupled to rotatable shaft 270h. In other embodiments, coupling system 272h may include a flexible coupling device, such as a chain or belt.

Thus, embodiments in which dual gerotor apparatus 250h includes a motor 260h and gerotor apparatuses 10h and 10h' are compressors, motor 260h may not only power the compressors, but also power rotating shaft 270h, which power may be used for other purposes, such as to power auxiliary devices. For example, where dual gerotor apparatus 250h is used in a water-based air conditioner, rotating shaft 270h may be used to power one or more pumps.

FIG. 14 illustrates an example cross-section of a side-breathing engine system 300j in accordance with one embodiment of the invention. Side-breathing engine system 300j includes a housing 12j, a compressor gerotor apparatus 10j, and an expander gerotor apparatus 10j'. Compressor

18

gerotor apparatus 10j includes a compressor outer gerotor 14j disposed within housing 12j, a compressor outer gerotor chamber 30j at least partially defined by compressor outer gerotor 14j, and a compressor inner gerotor 16j at least partially disposed within compressor outer gerotor chamber 30j. Similarly, expander gerotor apparatus 10j' includes an expander outer gerotor 14j' disposed within housing 12j, an expander outer gerotor chamber 30j' at least partially defined by expander outer gerotor 14j', and an expander inner gerotor 16j' at least partially disposed within expander outer gerotor chamber 30j'.

Compressor outer gerotor 14j may be rigidly coupled to, or integral with, expander outer gerotor 14j'. Similarly, compressor inner gerotor 16j may be rigidly coupled to, or integral with, expander inner gerotor 16j'. Compressor and expander outer gerotors 14j and 14j' and compressor and expander inner gerotors 16j and 16j' may be rotatably coupled to a single shaft 100j rigidly coupled to housing 12j. In the embodiment shown in FIG. 14, compressor and expander outer gerotors 14j and 14j' are rotatably coupled to first portions 102j of shaft 100j having a first axis about which outer gerotors 14j and 14j' rotate, and compressor and expander inner gerotors 16j and 16j' are rotatably coupled to a second portion 104j of shaft 100j having a second axis about which inner gerotors 16j and 16j' rotate, the second axis being offset from the first axis.

Compressor gerotor apparatus 10j and/or expander gerotor apparatus 10j' may be self-synchronizing, such as described above regarding the various gerotor apparatuses shown in FIGS. 7-13. In the embodiment shown in FIG. 14, compressor gerotor apparatus 10j performs the synchronization function for both compressor gerotor apparatus 10j and expander gerotor apparatus 10j'. In particular, at least a portion of (a) an outer surface 132j of compressor inner gerotor 16j and/or (b) an inner surface 130j of compressor outer gerotor 14j may include one or more low-friction regions 140j formed from low-friction materials 134j in order to reduce friction and wear between compressor inner gerotor 16j and compressor outer gerotor 14j, thus allowing outer surface 132j of compressor inner gerotor 16j and inner surface 130j of compressor outer gerotor 14j to synchronize the rotation of compressor inner gerotor 16j and compressor outer gerotor 14j. Further, because expander inner gerotor 16j' and expander outer gerotor 14j' are rigidly coupled to compressor inner gerotor 16j and compressor outer gerotor 14j, respectively, the rotation of expander inner gerotor 16j' and expander outer gerotor 14j' is also synchronized.

Low-friction regions 140j of compressor inner gerotor 16j and/or compressor outer gerotor 14j may extend a slight distance beyond the outer surface 132j of compressor inner gerotor 16j and/or inner surface 130j of compressor outer gerotor 14j to provide a narrow gap 144j between remaining, higher-friction regions 142j of compressor inner gerotor 16j and compressor outer gerotor 14j such that only the low-friction regions 140j contact each other. The narrow gap 144j may similarly exist between expander inner gerotor 16j' and expander outer gerotor 14j' (which may include only higher-friction regions 142j) such that expander inner gerotor 16j' and expander outer gerotor 14j' do not touch each other (or touch each other only slightly or occasionally), thus reducing or eliminating friction and wear between expander inner gerotor 16j' and expander outer gerotor 14j'. In addition, as shown in FIG. 14, a lubricant 60j may be communicated through lubricant channels 152j and 154j to provide lubrication between outer surface 132j of compressor inner gerotor 16j and inner surface 130j of compressor outer gerotor 14j.

In alternative embodiments, expander inner gerotor **16j'** and expander outer gerotor **14j'** may also include low-friction regions **140j** to provide further synchronization or mechanical support. In general, none, portions, or all of each of compressor inner gerotor **16j**, compressor outer gerotor **14j**, expander inner gerotor **16j'** and/or expander outer gerotor **14j'** may include low-friction regions **140j**. In addition, in some alternative embodiments, compressor gerotor apparatus **10j** and/or expander gerotor apparatus **10j'** may include a synchronizing system **18j**, such as shown in FIGS. 1-6, for example.

As shown in FIGS. 14 and 15, fluid flows through the sides **306j** and **308j** (rather than the faces) of compressor gerotor apparatus **10j** and expander gerotor apparatus **10j'**. Thus, a first fluid inlet **310j** and a second fluid inlet **312j** are formed in a first side **314j** of housing **12j**, and a first fluid outlet **316j** and a second fluid outlet **318j** are formed in a second side **320j** of housing **12j**. One or more compressor gerotor openings **324j** are formed in the outer perimeter of compressor outer gerotor **14j**, and one or more expander gerotor openings **326j** are formed in the outer perimeter of expander outer gerotor **14j'**. First fluid inlet **310j** is operable to communicate fluid into compressor outer gerotor chamber **30j** through compressor gerotor openings **324j**, and first fluid outlet **316j** is operable to communicate the fluid out of compressor outer gerotor chamber **30j** through compressor gerotor openings **324j**. Similarly, second fluid inlet **312j** is operable to communicate fluid into expander outer gerotor chamber **30j'** through expander gerotor openings **324j'**, and second fluid outlet **318j** is operable to communicate the fluid out of expander outer gerotor chamber **30j'** through expander gerotor openings **326j**.

FIG. 15 illustrates example cross-sections of engine system **300j** taken along lines F and G, respectively, shown in FIG. 14 according to one embodiment of the invention. As shown in FIG. 15, section F, compressor gerotor openings **324j** may be formed in the perimeter of compressor outer gerotor **14j** at each tip **162j** of compressor outer gerotor chamber **30j**. Low-friction regions **140j** are formed at each tip **160j** of compressor inner gerotor **16j**, and around the inner perimeter of compressor outer gerotor **14j** defining inner surface **130j** of compressor outer gerotor **14j**. Lubricant channels **154j** provide passageways for communicating lubricant **60j** through lubricant channel openings **156j** at each tip **160j** such that lubricant **60j** may provide lubrication between compressor inner gerotor **16j** and compressor outer gerotor **14j**. As shown in FIG. 15, section G, expander gerotor openings **326j** may be formed in the perimeter of expander outer gerotor **14j'** at each tip **162j'** of expander outer gerotor chamber **30j'**.

FIG. 16 illustrates an example cross-section of a face-breathing engine system **300k** in accordance with one embodiment of the invention. Engine system **300k** includes a housing **12k**, a compressor gerotor apparatus **10k** and an expander gerotor apparatus **10k'**. Compressor gerotor apparatus **10k** includes a compressor outer gerotor **14k** disposed within housing **12k**, a compressor outer gerotor chamber **30k** at least partially defined by compressor outer gerotor **14k**, and a compressor inner gerotor **16k** at least partially disposed within compressor outer gerotor chamber **30k**. Similarly, expander gerotor apparatus **10k'** includes an expander outer gerotor **14k'** disposed within housing **12k**, an expander outer gerotor chamber **30k'** at least partially defined by expander outer gerotor **14k'**, and an expander inner gerotor **16k'** at least partially disposed within expander outer gerotor chamber **30k'**.

Compressor outer gerotor **14k** may be rigidly coupled to, or integral with, expander outer gerotor **14k'**. Similarly, compressor inner gerotor **16k** may be rigidly coupled to, or integral with, expander inner gerotor **16k'**. Compressor and expander inner gerotors **16k** and **16k'** may be rigidly coupled to a shaft **100k** that is rotatably coupled to the inside of a cylindrical portion **330k** of housing **12k** by one or more bearings. Compressor and expander outer gerotors **14k** and **14k'** may be rotatably coupled to an inner perimeter of housing **12k** by one or more bearings.

Unlike side-breathing engine system **300j** shown in FIGS. 14-15, face-breathing engine system **300k** shown in FIG. 16 breathes through a first face **252k** and second face **254k** of system **300k**. Housing **12k** includes a compressor valve plate **40k** proximate first face **252k** of system **300k** and operable to control the flow of fluids through compressor gerotor apparatus **10k**, and an expander valve plate **40k'** proximate second face **254k** of system **300k** and operable to control the flow of fluids through expander gerotor apparatus **10k'**. Compressor valve plate **40k** includes at least one compressor fluid inlet **42k** allowing fluids to enter fluid flow passageways **32k** of compressor gerotor apparatus **10k**, and at least one compressor fluid outlet **44k** allowing fluids to exit fluid flow passageways **32k** of compressor gerotor apparatus **10k**. Similarly, expander valve plate **40k'** includes at least one expander fluid inlet **42k'** allowing fluids to enter fluid flow passageways **32k'** of expander gerotor apparatus **10k'**, and at least one expander fluid outlet **44k'** allowing fluids to exit fluid flow passageways **32k'** of expander gerotor apparatus **10k'**.

Compressor gerotor apparatus **10k** and/or expander gerotor apparatus **10k'** of engine system **300k** shown in FIG. 16 may be self-synchronizing, such as described above regarding the various gerotor apparatuses shown in FIGS. 7-13. Instead or in addition, compressor gerotor apparatus **10k** and/or expander gerotor apparatus **10k'** may include a synchronizing system **18**, such as discussed above regarding FIGS. 1-6, for example. As discussed above regarding engine system **300j**, compressor gerotor apparatus **10k** of engine system **300k** may include one or more low-friction regions **140k** operable to perform the synchronization function for both compressor gerotor apparatus **10k** and expander gerotor apparatus **10k'**. In addition, as shown in FIG. 16, a lubricant **60k** may be communicated through lubricant channels **154k** to provide lubrication between compressor inner gerotor **16k** and compressor outer gerotor **14k**.

FIGS. 17A-17D illustrate example cross-sections of engine system **300k** taken along lines H and I, respectively, shown in FIG. 16, according to various embodiments of the invention. As shown in FIG. 17A, section H, low-friction regions **140k** are formed at each tip **160k** of compressor inner gerotor **16k**, and around the inner perimeter of compressor outer gerotor **14k** defining inner surface **130k** of compressor outer gerotor **14k**. Remaining portions of compressor inner gerotor **16k** and compressor outer gerotor **14k** may include higher-friction regions **142k**. Lubricant channels **154k** provide passageways for communicating lubricant **60k** through lubricant channel openings **156k** at each tip **160k** of compressor inner gerotor **16k** such that lubricant **60k** may provide lubrication between compressor inner gerotor **16k** and compressor outer gerotor **14k**. As shown in FIG. 17A, section I, all of expander inner gerotor **16k'** and expander outer gerotor **14k'** may be a higher-friction region **142k**.

As shown in FIG. 17B, section H, low-friction regions **140k** are formed at each tip **160k** of compressor inner gerotor **16k**. Lubricant channels **154k** provide passageways for com-



21

municating lubricant 60k through lubricant channel openings 156k at each tip 160k of compressor inner gerotor 16k, such that lubricant 60k may provide lubrication between compressor inner gerotor 16k and compressor outer gerotor 14k. Compressor outer gerotor 14k includes a low-friction region 140k proximate each tip 162k of inner surface 130k of compressor outer gerotor 14k. Because a large portion of friction and wear between compressor inner gerotor 16k and compressor outer gerotor 14k occurs at the tips 160k and 162k of compressor inner gerotor 16k and compressor outer gerotor 14k, respectively, limiting low-friction regions 140k to areas near such tips 160k and 162k may reduce costs associated where low-friction materials 134k are relatively expensive and/or provide additional structural integrity where low-friction regions 140k are less durable than higher-friction regions 142k. As shown in FIG. 17B, section I, all of expander inner gerotor 16k' and expander outer gerotor 14k' may be a higher-friction region 142k.

As shown in FIG. 17C, section H, the complete cross-section of compressor inner gerotor 16k is a low-friction region 140k, while the complete cross-section of compressor outer gerotor 14k is a higher-friction region 142k. As shown in FIG. 17C, section I, all of expander inner gerotor 16k' and expander outer gerotor 14k' may be a higher-friction region 142k.

As shown in FIG. 17D, section H, the complete cross-section of both compressor inner gerotor 16k and compressor outer gerotor 14k is a low-friction region 140k. As shown in FIG. 17D, section I, all of expander inner gerotor 16k' and expander outer gerotor 14k' may be a higher-friction region 142k.

FIG. 18 illustrates an example cross-section of a face-breathing engine system 300m in accordance with another embodiment of the invention. Like engine system 300k shown in FIG. 16, engine system 300m includes a housing 12m, a compressor gerotor apparatus 10m and an expander gerotor apparatus 10m'. Compressor gerotor apparatus 10m includes a compressor outer gerotor 14m disposed within housing 12m, a compressor outer gerotor chamber 30m at least partially defined by compressor outer gerotor 14m, and a compressor inner gerotor 16m at least partially disposed within compressor outer gerotor chamber 30m. Similarly, expander gerotor apparatus 10m' includes an expander outer gerotor 14m' disposed within housing 12m, an expander outer gerotor chamber 30m' at least partially defined by expander outer gerotor 14m', and an expander inner gerotor 16m' at least partially disposed within expander outer gerotor chamber 30m'.

In this embodiment, compressor inner gerotor 16m is rigidly coupled to, or integral with, expander inner gerotor 16m'. In particular, compressor and expander inner gerotors 16m and 16m' are rigidly coupled to a shaft 100m that is rotatably coupled to the inside of a cylindrical portion 330m of housing 12m by one or more bearings. In addition, compressor outer gerotor 14m is rigidly coupled to, or integral with, expander outer gerotor 14m'. In particular, compressor and expander outer gerotors 14m and 14m' are rigidly coupled to, or integral with, a cylindrical outer gerotor support member 334m having an outer diameter, indicated as D1, that is smaller than the outer diameter of the compressor and expander outer gerotors 14m and 14m', indicated as D2. In some embodiments, D1 is less than 1/2 of D2. In particular embodiments, D1 is less than 1/3 of D2. Outer gerotor support member 334m is rotatably coupled to one or more extension members 336m of housing 12m by one or more ring-shaped bearings 340m. As shown in FIG. 18, ring-shaped bearings 340m have an outer diameter,

22

indicated as D3, that is smaller than the outer diameter, D2, of outer gerotors 14m and 14m'. In some embodiments, D3 is less than 1/2 of D2. Using bearings 340m having smaller diameters than that of outer gerotors 14m and 14m' reduces the amount of power lost by bearings 340m during operation of system 300m, and thus the amount of heat generated by bearings 340m. The smaller the diameter of bearings 340m, the less power lost and heat generated by bearings 340m.

Like face-breathing engine system 300k shown in FIG. 16, face-breathing engine system 300m shown in FIG. 18 breathes through a first face 252m and second face 254m of system 300m. Housing 12m includes a compressor valve plate 40m proximate first face 252m of system 300m operable to control the flow of fluids through compressor gerotor apparatus 10m, and an expander valve plate 40m' proximate second face 254m of system 300m operable to control the flow of fluids through expander gerotor apparatus 10m'. Compressor valve plate 40m includes at least one compressor fluid inlet 42m allowing fluids to enter fluid flow passageways 32m of compressor gerotor apparatus 10m, and at least one compressor fluid outlet 44m allowing fluids to exit fluid flow passageways 32m of gerotor apparatus 10m. Similarly, expander valve plate 40m' includes at least one expander fluid inlet 42m' allowing fluids to enter fluid flow passageways 32m' of expander gerotor apparatus 10m', and at least one expander fluid outlet 44m' allowing fluids to exit fluid flow passageways 32m' of expander gerotor apparatus 10m'.

Compressor gerotor apparatus 10m and/or expander gerotor apparatus 10m' of engine system 300m shown in FIG. 18 may be self-synchronizing, such as described above regarding the various gerotor apparatuses shown in FIGS. 7-16. Instead or in addition, compressor gerotor apparatus 10m and/or expander gerotor apparatus 10m' may include a synchronizing system 18, such as discussed above regarding FIGS. 1-6, for example. As discussed above regarding engine system 300j, compressor gerotor apparatus 10m of engine system 300m may include one or more low-friction regions 140m operable to perform the synchronization function for both compressor gerotor apparatus 10m and expander gerotor apparatus 10m'. In addition, as shown in FIG. 16, a lubricant 60m may be communicated through lubricant channels to provide lubrication between compressor inner gerotor 16m and compressor outer gerotor 14m.

In operation, torque generated by system 300m is transmitted from outer gerotors 14m and 14m' to inner gerotors 16m and 16m', and then to the rotating output shaft 100m, which shaft power may be used to power any suitable device or devices. As with various other engine systems 300 shown and described herein, in some embodiments, the same mechanical arrangement of engine system 300m could be used in a reverse-Brayton cycle heat pump in which power is input to shaft 100m.

FIG. 19 illustrates an example cross-section of a face-breathing engine system 300n in accordance with another embodiment of the invention. Like engine system 300m shown in FIG. 18, engine system 300n includes a housing 12n, a compressor gerotor apparatus 10n and an expander gerotor apparatus 10n'. Compressor gerotor apparatus 10n includes a compressor outer gerotor 14n disposed within housing 12n, a compressor outer gerotor chamber 30n at least partially defined by compressor outer gerotor 14n, and a compressor inner gerotor 16n at least partially disposed within compressor outer gerotor chamber 30n. Similarly, expander gerotor apparatus 10n' includes an expander outer gerotor 14n' disposed within housing 12n, an expander outer gerotor chamber 30n' at least partially defined by expander

outer gerotor **14n'**, and an expander inner gerotor **16n'** at least partially disposed within expander outer gerotor chamber **30n'**.

Like engine system **300m** shown in FIG. **18**, compressor and expander inner gerotors **16n** and **16n'** are rigidly coupled to a shaft **100n** that is rotatably coupled to housing **12n** by one or more bearings, and compressor and expander outer gerotors **14n** and **14n'** are rigidly coupled to, or integral with, a cylindrical outer gerotor support member **334n** that is rotatably coupled to housing **12n** by one or more ring-shaped bearings **340n**.

Like face-breathing engine system **300m** shown in FIG. **18**, face-breathing engine system **300n** shown in FIG. **19** breathes through at least one compressor fluid inlet **42n** and at least one compressor fluid outlet **44n** at a first face **252n** of system **300n**, and through at least one expander fluid inlet **42n'** and at least one expander fluid outlet **44n'** at a second face **254n** of system **300n**. Compressor gerotor apparatus **10n** and/or expander gerotor apparatus **10n'** of engine system **300n** shown in FIG. **19** may be self-synchronizing, such as described above regarding the various gerotor apparatuses shown in FIGS. **7-18**. Instead or in addition, compressor gerotor apparatus **10n** and/or expander gerotor apparatus **10n'** may include a synchronizing system **18**, such as discussed above regarding FIGS. **1-6**, for example. In addition, as shown in FIG. **19**, a lubricant **60n** may be communicated through lubricant channels to provide lubrication between compressor inner gerotor **16n** and compressor outer gerotor **14n**.

Unlike engine system **300m** shown in FIG. **18**, engine system **300n** does not provide shaft output power (to shaft **100m** or otherwise). Instead, compressor gerotor apparatus **10n** of engine system **300n** is oversized such that power generated by system **300n** is output in the form of compressed fluid (such as compressed air, for example) exiting compressor outer gerotor chamber **30n** through compressor fluid outlet **44n**, as indicated by arrow **344n**. Thus, this embodiment may be useful for applications in which compressed air or other gas is the desired product, such as a fuel-powered compressor or jet engine, for example. In some embodiments, a similar mechanical arrangement of engine system **300n** could be used in a reverse-Brayton cycle heat pump in which power is input to shaft **100n**.

FIGS. **20-22** illustrates example cross-sections of face-breathing engine systems **300o**, **300p**, and **300q** in accordance with three other embodiments of the invention. Engine systems **300o/300p/300q** are similar to engine system **300m** shown in FIG. **18**, except that power is transmitted to an external shaft **270** rather than to internal shaft **100**, as discussed in greater detail below.

Like engine system **300** shown in FIG. **18**, each of engine systems **300o/300p/300q** shown in FIGS. **20-22** include a housing **12o/12p/12q**, a compressor gerotor apparatus **10o/10p/10q** and an expander gerotor apparatus **10o/10p/10q'**. Compressor gerotor apparatus **10o/10p/10q** includes a compressor outer gerotor **14o/14p/14q** disposed within housing **12o/12p/12q**, a compressor outer gerotor chamber **30o/30p/30q** at least partially defined by compressor outer gerotor **14o/14p/14q**, and a compressor inner gerotor **16o/16p/16q** at least partially disposed within compressor outer gerotor chamber **30o/30p/30q**. Similarly, expander gerotor apparatus **10o/10p/10q'** includes an expander outer gerotor **14o'/14p'/14q'** disposed within housing **12o/12p/12q**, an expander outer gerotor chamber **30o'/30p'/30q'** at least partially defined by expander outer gerotor **14o'/14p'/14q'**, and an expander inner gerotor **16o'/16p'/16q'** at least partially disposed within expander outer gerotor chamber **30o'/30p'/30q'**.

Compressor and expander inner gerotors **16o/16p/16q** and **16o'/16p'/16q'** are rigidly coupled to a shaft **100o/100p/100q** that is rotatably coupled to housing **12o/12p/12q** by one or more bearings, and compressor and expander outer gerotors **14o/14p/14q** and **14o'/14p'/14q'** are rigidly coupled to, or integral with, a cylindrical outer gerotor support member **334o/334p/334q** that is rotatably coupled to housing **12o/12p/12q** by one or more ring-shaped bearings **340o/340p/340q**.

As discussed above, unlike engine system **300m** shown in FIG. **18**, engine systems **300o/300p/300q** shown in FIGS. **20-22** output power to an external drive shaft **270o/270p/270q** rather than to internal shaft **100o/100p/100q**. In general, each engine system **300o/300p/300q** includes a rotatable shaft **270o/270p/270q** coupled to the rigidly coupled outer gerotors **14o/14p/14q** and **14o'/14p'/14q'** by a coupling system **272o/272p/272q** such that rotation of outer gerotors **14o/14p/14q** and **14o'/14p'/14q'** causes rotation of shaft **270o/270p/270q** and/or vice-versa, as described below.

First, in the embodiment shown in FIG. **20**, coupling system **272o** includes a first gear **274o** interacting with a second gear **276o**. First gear **274o** is rigidly coupled to cylindrical outer gerotor support member **334o** rigidly coupled to outer gerotors **14o** and **14o'**. Second gear **276o** is rigidly coupled to rotatable drive shaft **270o**.

Thus, power generated by engine system **300o** is withdrawn from first gear **274o** mounted to outer gerotors **14o** and **14o'** and transferred to drive shaft **270o**. One advantage of this embodiment is that torque is transmitted directly from outer gerotors **14o** and **14o'** to drive shaft **270o** without involving inner gerotors **16o** or **16o'**, thereby reducing friction and wear at the low-friction regions **140o** of compressor outer gerotor **14o** and/or inner gerotor **16o**, such as low-friction regions **140o** at each tip **160o** of compressor inner gerotor **16o** and proximate the inner perimeter of compressor outer gerotor **14o**. At a steady rotational speed, there is negligible torque transmitted through the low-friction regions **140o** at tips **160o** of compressor inner gerotor **16o** and proximate the inner perimeter of compressor outer gerotor **14o** because there is little net torque acting on inner gerotors **16o** or **16o'**. The pressure forces acting on inner gerotors **16o** or **16o'** that would cause inner gerotors **16o** and **16o'** to rotate clockwise are substantially counterbalanced by the pressure forces acting to rotate inner gerotors **16o** and **16o'** counterclockwise. In essence, inner gerotors **16o** and **16o'** act as an idler.

It should be noted that lubrication channels are omitted to simplify FIG. **20**. In practice, lubricant could be supplied to the low-friction regions **140o**, such as described herein regarding other embodiments. In addition, as with various other engine systems **300** shown and described herein, in some embodiments, the same mechanical arrangement of engine system **300o** could be used in a reverse-Brayton cycle heat pump in which power is input to shaft **270o**.

Second, in the embodiment shown in FIG. **21**, coupling system **272p** includes a first coupler **360p** interacting with a second coupler **362p**. First coupler **360p** is rigidly coupled to cylindrical outer gerotor support member **334p** rigidly coupled to outer gerotors **14p** and **14p'**. Second coupler **362p** is rigidly coupled to rotatable drive shaft **270p**. A flexible coupling device **364p**, such as a chain or belt, couples first coupler **360p** and second coupler **362p** such that rotation of outer gerotor support member **334p** causes rotation of drive shaft **270p**, and vice versa.

Thus, power generated by engine system **300p** is withdrawn from first coupler **360p** mounted to outer gerotors **14p** and **14p'** and transferred to drive shaft **270p**. As discussed

above, one advantage of such embodiment is that torque is transmitted directly from outer gerotors **14p** and **14p'** to drive shaft **270p** without involving inner gerotors **16p** or **16p'**, thereby reducing friction and wear at the low-friction regions **140p** of compressor outer gerotor **14p** and/or inner gerotor **16p**. Also, at a steady rotational speed, there is negligible torque transmitted through the low-friction regions **140p** at tips **160p**, as inner gerotors **16p** and **16p'** essentially act as an idler.

Again, it should be noted that lubrication channels are omitted to simplify FIG. 21. In practice, lubricant could be supplied to the low-friction regions **140p**, such as described herein regarding other embodiments. In addition, as with various other engine systems **300** shown and described herein, in some embodiments, the same mechanical arrangement of engine system **300p** could be used in a reverse-Brayton cycle heat pump in which power is input to shaft **270p**.

Third, in the embodiment shown in FIG. 22, coupling system **272q** includes a first gear **274q** interacting with a second gear **276q**. First gear **274q** is a bevel gear rigidly coupled to cylindrical outer gerotor support member **334q** rigidly coupled to outer gerotors **14q** and **14q'**. Second gear **276q** is a bevel gear rigidly coupled to rotatable drive shaft **270q**, which is oriented generally perpendicular to shaft **100q**. Thus, power generated by engine system **300q** is withdrawn from first bevel gear **274q** mounted to outer gerotors **14q** and **14q'** and transferred to drive shaft **270q**. As discussed above, one advantage of such embodiment is that torque is transmitted directly from outer gerotors **14q** and **14q'** to drive shaft **270q** without involving inner gerotors **16q** or **16q'**, thereby reducing friction and wear at the low-friction regions **140q** of compressor outer gerotor **14q** and/or inner gerotor **16q**. Also, at a steady rotational speed, there is negligible torque transmitted through the low-friction regions **140q** at tips **160q**, as inner gerotors **16q** and **16q'** essentially act as an idler.

Again, it should be noted that lubrication channels are omitted to simplify FIG. 22. In practice, lubricant could be supplied to the low-friction regions **140q**, such as described herein regarding other embodiments. In addition, as with various other engine systems **300** shown and described herein, in some embodiments, the same mechanical arrangement of engine system **300q** could be used in a reverse-Brayton cycle heat pump in which power is input to shaft **270q**.

FIG. 23 illustrates an example cross-section of an engine system **300r** in accordance with another embodiment of the invention. Engine system **300r** is substantially similar to engine system **300q** shown in FIG. 22, except that engine system **300r** includes a motor **260r** or a generator **264r** integrated with the engine, as discussed in greater detail below.

Like engine system **300q** shown in FIG. 22, engine system **300r** includes a housing **12r**, a compressor gerotor apparatus **10r** and an expander gerotor apparatus **10r'**. Compressor gerotor apparatus **10r** includes a compressor outer gerotor **14r** disposed within housing **12r**, a compressor outer gerotor chamber **30r** at least partially defined by compressor outer gerotor **14r**, and a compressor inner gerotor **16r** at least partially disposed within compressor outer gerotor chamber **30r**. Similarly, expander gerotor apparatus **10r'** includes an expander outer gerotor **14r'** disposed within housing **12r**, an expander outer gerotor chamber **30r'** at least partially defined by expander outer gerotor **14r'**, and an expander inner gerotor **16r'** at least partially disposed within expander outer gerotor chamber **30r'**. Compressor and expander inner

gerotors **16r** and **16r'** are rigidly coupled to a shaft **100r** that is rotatably coupled to housing **12r** by one or more bearings, and compressor and expander outer gerotors **14r** and **14r'** are rigidly coupled to, or integral with, a cylindrical outer gerotor support member **334r** that is rotatably coupled to housing **12r** by one or more ring-shaped bearings **340r**.

In addition, like face-breathing engine system **300q** shown in FIG. 22, face-breathing engine system **300r** shown in FIG. 23 breathes through a first face **252r** and a second face **254r** of system **300r**. In addition, compressor gerotor apparatus **10r** and/or expander gerotor apparatus **10r'** of engine system **300r** shown in FIG. 23 may be self-synchronizing, such as described above regarding the various gerotor apparatuses shown in FIGS. 7-22. Instead or in addition, compressor gerotor apparatus **10r** and/or expander gerotor apparatus **10r'** may include a synchronizing system **18**, such as discussed above regarding FIGS. 1-6, for example. Also, although not shown in order to simplify FIG. 23, engine system **300q** may include a lubricant communicated through lubricant channels to provide lubrication between compressor inner gerotor **16r** and compressor outer gerotor **14r**. Further, like engine system **300q** shown in FIG. 22, engine system **300r** shown in FIG. 23 outputs power to an external rotatable drive shaft **270r** oriented generally perpendicular to shaft **100r** and coupled to outer gerotors **14r** and **14r'** by a coupling system **272r** including a first gear **274r** interacting with a second gear **276r**.

As discussed above, engine system **300r** includes a motor **260r** or a generator **264r** integrated with the engine. As shown in FIG. 23, motor **260r** or generator **264r** may be coupled to, or integrated with, housing **12r**. In embodiments including a motor **260r**, motor **260r** may drive engine system **300r** by driving rigidly coupled, or integrated, outer gerotors **14r** and **14r'**, which may in turn drive inner gerotors **16r** and **16r'**. For example, motor **260r** may drive one or more magnetic elements **262r** coupled to, or integrated with, an outer perimeter surface **370r** of outer gerotor **14r** (or, in an alternative embodiment, an outer perimeter surface of outer gerotor **14r'**). A portion of the power generated by motor **260r** may be transferred to drive shaft **270r**. In some applications, motor **260r** may be used as a starter, or it may be used to provide supplemental torque in applications such as hybrid electric vehicles.

In embodiments including a generator **264r**, generator **264r** may be powered by the rotation of outer gerotors **14r** and **14r'**. Thus, rotation of outer gerotors **14r** and **14r'** may supply output power to both generator **264r** and drive shaft **270r**, which output power may be used for any suitable purpose. Motor **260r**/generator **264r** may comprise any suitable type of motor or generator, such as a permanent magnet motor or generator, a switched reluctance motor (SRM) or generator, or an inductance motor or generator, for example.

FIG. 24 illustrates an example cross-section of an engine system **300s** in accordance with another embodiment of the invention. Engine system **300s** is substantially similar to engine system **300r** shown in FIG. 23, except that engine system **300s** does not include an external drive shaft **270**, and thus all the engine power output may be transferred to a generator **264s** (or where engine system **300s** includes a motor **260s**, all the power generated by motor **260s** may be used by engine system **300s**), as discussed in greater detail below. Because there is no shaft output or input, the system is best viewed as a reverse Brayton cycle heat pump rather than an engine.

Like engine system **300r** shown in FIG. 23, engine system **300s** includes a housing **12s**, a compressor gerotor apparatus

10s and an expander gerotor apparatus 10s'. Compressor gerotor apparatus 10s includes a compressor outer gerotor 14s disposed within housing 12s, a compressor outer gerotor chamber 30s at least partially defined by compressor outer gerotor 14s, and a compressor inner gerotor 16s at least partially disposed within compressor outer gerotor chamber 30s. Similarly, expander gerotor apparatus 10s' includes an expander outer gerotor 14s' disposed within housing 12s, an expander outer gerotor chamber 30s' at least partially defined by expander outer gerotor 14s', and an expander inner gerotor 16s' at least partially disposed within expander outer gerotor chamber 30s'. Compressor and expander inner gerotors 16s and 16s' are rigidly coupled to a shaft 100s that is rotatably coupled to housing 12s by one or more bearings, and compressor and expander outer gerotors 14s and 14s' are rigidly coupled to, or integral with, a cylindrical outer gerotor support member 334s that is rotatably coupled to housing 12s by one or more ring-shaped bearings 340s. In addition, like engine system 300r shown in FIG. 22, engine system 300s shown in FIG. 23 is a face-breathing system, may be self-synchronizing, and may use lubricant (not shown) to provide lubrication between compressor inner gerotor 16s and compressor outer gerotor 14s.

As discussed above, engine system 300s includes an integrated motor 260s or generator 264s, which may be coupled to, or integrated with, housing 12s. In embodiments including a motor 260s, motor 260s may drive engine system 300s by driving rigidly coupled, or integrated, outer gerotors 14s and 14s', which may in turn drive inner gerotors 16s and 16s'. For example, motor 260s may drive one or more magnetic elements 262s coupled to, or integrated with, an outer perimeter surface 370s of outer gerotor 14s (or, in an alternative embodiment, an outer perimeter surface of outer gerotor 14s'). For example, during starting, all of the power generated by motor 260s may be used by engine system 300s. Once the engine has started, there is no way to take energy out of the system. Again, in the case of an electric motor, the compressor/expander system is best viewed as a reverse Brayton cycle heat pump. In embodiments including a generator 264s, all of the engine power output generated by the rotation of outer gerotors 14s and 14s' may be used by generator 264s to make electricity. Motor 260s/generator 264s may comprise any suitable type of motor or generator, such as a permanent magnet motor or generator, a switched reluctance motor (SRM) or generator, or an inductance motor or generator, for example.

FIG. 25 illustrates an example cross-section of an engine system 300t in accordance with another embodiment of the invention. Engine system 300t is substantially similar to side-breathing engine system 300j shown in FIGS. 14-15, except that engine system 300t includes a motor 260t or a generator 264t integrated with the engine, as discussed in greater detail below.

Like engine system 300j, engine system 300t includes a housing 12t, a compressor gerotor apparatus 10t and an expander gerotor apparatus 10t'. Compressor gerotor apparatus 10t includes a compressor outer gerotor 14t disposed within housing 12t, a compressor outer gerotor chamber 30t at least partially defined by compressor outer gerotor 14t, and a compressor inner gerotor 16t at least partially disposed within compressor outer gerotor chamber 30t. Similarly, expander gerotor apparatus 10t' includes an expander outer gerotor 14t' disposed within housing 12t, an expander outer gerotor chamber 30t' at least partially defined by expander outer gerotor 14t', and an expander inner gerotor 16t' at least partially disposed within expander outer gerotor chamber 30t'.

Compressor outer gerotor 14t may be rigidly coupled to, or integral with, expander outer gerotor 14t'. Similarly, compressor inner gerotor 16t may be rigidly coupled to, or integral with, expander inner gerotor 16t'. Compressor and expander outer gerotors 14t and 14t' and compressor and expander inner gerotors 16t and 16t' may be rotatably coupled to a single shaft 100t rigidly coupled to housing 12t. In the embodiment shown in FIG. 25, compressor and expander outer gerotors 14t and 14t' are rotatably coupled to first portions 102t of shaft 100t having a first axis about which outer gerotors 14t and 14t' rotate, and compressor and expander inner gerotors 16t and 16t' are rotatably coupled to a second portion 104t of shaft 100t having a second axis about which inner gerotors 16t and 16t' rotate, the second axis being offset from the first axis. In addition, a drive shaft 270t is rigidly coupled to outer gerotors 14t and 14t' by a first cylindrical extension 380t, and rotatably coupled to housing 12t by one or more bearings 52t.

Compressor gerotor apparatus 10t and/or expander gerotor apparatus 10t' may be self-synchronizing, such as described above regarding the various gerotor apparatuses shown in FIGS. 7-24. Instead or in addition, compressor gerotor apparatus 10t and/or expander gerotor apparatus 10t' may include a synchronizing system 18, such as discussed above regarding FIGS. 1-6, for example. In the embodiment shown in FIG. 25, compressor gerotor apparatus 10t performs the synchronization function for both compressor gerotor apparatus 10t and expander gerotor apparatus 10t', such as discussed above regarding FIGS. 14-24. In addition, a lubricant 60t may be communicated through lubricant channels 152t and 154t to provide lubrication between compressor inner gerotor 16t and compressor outer gerotor 14t.

Engine system 300t shown in FIG. 25 is a side-breathing system in which fluid flows through sides 306t and 308t (rather than the faces) of compressor gerotor apparatus 10t and expander gerotor apparatus 10t', such as described above regarding engine system 300j shown in FIGS. 14-15. Thus, regarding compressor gerotor apparatus 10t, fluid may flow from a first fluid inlet 310t, formed in a first side 314t of housing 12t, into compressor outer gerotor chamber 30t through compressor gerotor openings 324t formed in the outer perimeter of compressor outer gerotor 14t, through compressor outer gerotor chamber 30t, and into first fluid outlet 316t formed in a second side 320t of housing 12t through compressor gerotor openings 324t. Similarly, regarding expander gerotor apparatus 10t', fluid may flow from a second fluid inlet 312t, formed in first side 314t of housing 12t, into expander outer gerotor chamber 30t' through expander gerotor openings 326t formed in the outer perimeter of expander outer gerotor 14t', through expander outer gerotor chamber 30t', and into second fluid outlet 318t formed in second side 320t of housing 12t through expander gerotor openings 326t.

As discussed above, engine system 300t includes a motor 260t or a generator 264t integrated with the engine. As shown in FIG. 25, motor 260t or generator 264t may be coupled to, or integrated with, housing 12t. In embodiments including a motor 260t, motor 260t may drive engine system 300t by driving rigidly coupled, or integrated, outer gerotors 14t and 14t', which may in turn drive inner gerotors 16t and 16t'. For example, motor 260t may drive one or more magnetic elements 262t rigidly coupled to, or integrated with, outer gerotors 14t and 14t' by a second cylindrical extension 382t. For example, magnetic elements 262t may include a series of bar magnets arranged in a circular pattern along the periphery of a disc. A portion of the power

29

generated by motor 260*t* may be transferred to drive shaft 270*t*. In some applications, motor 260*t* may be used as a starter, or it may be used to provide supplemental torque in applications such as hybrid electric vehicles.

In embodiments including a generator 264*t*, generator 264*t* may be powered by the rotation of outer gerotors 14*t* and 14*t'*. Thus, rotation of outer gerotors 14*t* and 14*t'* may supply output power to both generator 264*t* and drive shaft 270*t*, which output power may be used for any suitable purpose. Motor 260*t*/generator 264*t* may comprise any suitable type of motor or generator, such as a permanent magnet motor or generator, a switched reluctance motor (SRM) or generator, or an inductance motor or generator, for example.

FIG. 26 illustrates an example cross-section of a compressor-expander system 300*u* in accordance with another embodiment of the invention. Compressor-expander system 300*u* is substantially similar to engine system 300*t* shown in FIG. 25, except that compressor-expander system 300*u* does not include an external drive shaft 270, and thus all the power output may be transferred to a generator 264*u* (or where compressor-expander system 300*u* includes an electric motor 260*u*, all the power generated by motor 260*u* may be used by compressor-expander system 300*u*), as discussed in greater detail below.

Like engine system 300*t*, compressor-expander system 300*u* includes a housing 12*u*, a compressor gerotor apparatus 10*u* and an expander gerotor apparatus 10*u'*. Compressor gerotor apparatus 10*u* includes a compressor outer gerotor 14*u* disposed within housing 12*u*, a compressor outer gerotor chamber 30*u* at least partially defined by compressor outer gerotor 14*u*, and a compressor inner gerotor 16*u* at least partially disposed within compressor outer gerotor chamber 30*u*. Similarly, expander gerotor apparatus 10*u'* includes an expander outer gerotor 14*u'* disposed within housing 12*u*, an expander outer gerotor chamber 30*u'* at least partially defined by expander outer gerotor 14*u'*, and an expander inner gerotor 16*u'* at least partially disposed within expander outer gerotor chamber 30*u'*.

Compressor and expander outer gerotors 14*u* and 14*u'* are rotatably coupled to first portions 102*u* of shaft 100*u* having a first axis about which outer gerotors 14*u* and 14*u'* rotate, and compressor and expander inner gerotors 16*u* and 16*u'* are rotatably coupled to a second portion 104*u* of shaft 100*u* having a second axis about which inner gerotors 16*u* and 16*u'* rotate, the second axis being offset from the first axis. Compressor gerotor apparatus 10*u* and/or expander gerotor apparatus 10*u'* may be self-synchronizing, such as described above regarding the various gerotor apparatuses shown in FIGS. 7-25, and a lubricant 60*u* may be communicated through lubricant channels to provide lubrication between compressor inner gerotor 16*u* and compressor outer gerotor 14*u*. Instead or in addition, compressor gerotor apparatus 10*u* and/or expander gerotor apparatus 10*u'* may include a synchronizing system 18, such as discussed above regarding FIGS. 1-6, for example. In addition, compressor-expander system 300*u* shown in FIG. 26 is a side-breathing system in which fluid flows through sides 306*u* and 308*u* (rather than the faces) of compressor gerotor apparatus 10*u* and expander gerotor apparatus 10*u'*, such as described above regarding engine system 300*t* shown in FIG. 25.

As discussed above, compressor-expander system 300*u* includes a motor 260*u* or a generator 264*u* integrated with the engine. As shown in FIG. 26, motor 260*u* or generator 264*u* may be coupled to, or integrated with, housing 12*u*. In embodiments or situations in which electricity is supplied to compressor-expander system 300*u*, motor 260*u*/generator 264*u* functions as a motor 260*u*, which may drive rigidly

30

coupled, or integrated, outer gerotors 14*u* and 14*u'*, which may in turn drive inner gerotors 16*u* and 16*u'*. For example, motor 260*u* may drive one or more magnetic elements 262*u* rigidly coupled to, or integrated with, outer gerotors 14*u* and 14*u'* by a cylindrical extension 382*u*. In such situations, compressor-expander system 300*u* may function as a reverse Brayton-cycle cooling system, such as for use in an air conditioner, for example.

In embodiments or situations in which fuel is supplied to compressor-expander system 300*u* to rotate outer gerotors 14*u* and 14*u'*, motor 260*u*/generator 264*u* functions as an electric generator 264*u* to produce electricity. In such situations, compressor-expander system 300*u* may function as an engine. Motor 260*u*/generator 264*u* may comprise any suitable type of motor or generator, such as a permanent magnet motor or generator, a switched reluctance motor (SRM) or generator, or an inductance motor or generator, for example.

FIG. 27 illustrates an example cross-section of a gerotor apparatus 10*v* having a sealing system 400*v* to reduce fluid (e.g., gas) leakage in accordance with one embodiment of the invention. Gerotor apparatus 10*v* is substantially similar to gerotor apparatus 10*e* shown in FIG. 7, except that gerotor apparatus 10*v* includes a sealing system 400*v* to reduce fluid (e.g., gas) leakage from outer gerotor chamber 30*v*, as discussed in greater detail below.

Like gerotor apparatus 10*e* shown in FIG. 7, gerotor apparatus 10*v* shown in FIG. 27 includes a housing 12*v*, an outer gerotor 14*v* disposed within housing 12*v*, an outer gerotor chamber 30*v* at least partially defined by outer gerotor 14*v*, and an inner gerotor 16*v* at least partially disposed within outer gerotor chamber 30*v*. Outer gerotor 14*v* and inner gerotor 16*v* are rotatably coupled to a single shaft 100*v* rigidly coupled to housing 12*v*. In particular, outer gerotor 14*v* is rotatably coupled to a first portion 102*v* of shaft 100*v* having a first axis about which outer gerotor 14*v* rotates, and inner gerotor 16*v* is rotatably coupled to a second portion 104*v* of shaft 100*v* having a second axis about which inner gerotor 16*v* rotates, the second axis being offset from the first axis.

Housing 12*v* includes a valve plate 40*v* including one or more fluid inlets 42*v* and one or more fluid outlets 44*v*. Fluid inlets 42*v* generally allow fluids, such as gasses, liquids, or liquid-gas mixtures, to enter outer gerotor chamber 30*v*. Likewise, fluid outlets 44*v* generally allow fluids within outer gerotor chamber 30*v* to exit from outer gerotor chamber 30*v*. Gerotor apparatus 10*v* may be self-synchronized by one or more low-friction regions 140*v*, such as described above regarding the various gerotor apparatuses shown in FIGS. 7-26. Instead or in addition, compressor gerotor apparatus 10*v* and/or expander gerotor apparatus 10*v'* may include a synchronizing system 18, such as discussed above regarding FIGS. 1-6, for example. In addition, a lubricant 60*v* may be communicated through lubricant channels to provide lubrication between compressor inner gerotor 16*v* and compressor outer gerotor 14*v*.

As discussed above, gerotor apparatus 10*v* includes a sealing system 400*v* to reduce leakage of fluid traveling through outer gerotor chamber 30*v*. For example, sealing system 400*v* may reduce leakage of gas between rotating gerotors 14*v* and 16*v* and housing 12*v*. As shown in the enlarged view of sealing system 400*v* in FIG. 27, sealing system 400*v* may include soft material 402*v* (such as a polymer, for example) and one or more seal protrusions 404*v* that form seal tracks 406*v* in the soft material 402*v*. A substantial seal may be provided between the seal protrusions 404*v* and seal tracks 406*v*. Seal protrusions 404*v* may

31

be formed from a relatively hard material, such as metal, for example. In the embodiment shown in FIG. 27, seal protrusions 404<sub>v</sub> comprise hard “blades” that cut into the soft material 402<sub>v</sub>. The blades may be circular and may be coupled to, and extend around the circumference of, outer gerotor 14<sub>v</sub>. As gerotors 14<sub>v</sub> and 16<sub>v</sub> deform due to thermal expansion and centrifugal force, the blades 404<sub>v</sub> may cut into soft material 402<sub>v</sub> to form seal tracks 406<sub>v</sub>, thus providing a customized fit. In some embodiments, the surface of blades 404<sub>v</sub> may be roughened (e.g., by sand blasting) to help cut soft material 402<sub>v</sub>.

FIG. 28 illustrates example cross-sections of three alternative embodiments of a sealing system 400<sub>w</sub> similar to sealing system 400<sub>v</sub> shown in FIG. 27. In particular, FIG. 28 illustrates three embodiments for forming abraded seals between an outer gerotor 14<sub>w</sub> (or an inner gerotor 16<sub>w</sub>) and a housing 12<sub>w</sub>. As shown in FIG. 28, embodiment (a), a surface 420<sub>w</sub> of outer gerotor 14<sub>w</sub> is roughened by sand-blasting or other suitable means. A layer or surface coating of soft material 402<sub>w</sub> is formed on a surface 424<sub>w</sub> of housing 12<sub>w</sub>. The soft material 402<sub>w</sub> may be an abradable material, such as Teflon. When roughened surface 420<sub>w</sub> and the abradable material 402<sub>w</sub> contact each other, roughened surface 420<sub>w</sub> removes a portion of the abradable material 402<sub>w</sub>, thus forming a very tight clearance with very low leakage. Although the illustration of embodiment (a) shows flat surfaces being sealed in this manner, these materials and techniques could also be used on curved surfaces.

FIG. 28, embodiment (b) shows a similar sealing system 400<sub>w</sub> as embodiment (a), except surface 420<sub>w</sub> of outer gerotor 14<sub>w</sub> has numerous indentations or holes 428<sub>w</sub>, such as formed by a drill, rather than being roughened. Alternatively, surface 420<sub>w</sub> may have non-circular holes shaped in a honeycomb or other suitable pattern. The purpose of the indentation or hole 428<sub>w</sub> is to accommodate fine dust that is produced when surface 420<sub>w</sub> and abradable material 402<sub>w</sub> contact each other, as well as to add cutting edges to aid the abrasion process. FIG. 28, embodiment (c) shows a sealing system 400<sub>w</sub> that is a combination of embodiments (a) and (b). Surface 420<sub>w</sub> of outer gerotor 14<sub>w</sub> is both roughened and includes indentations or holes 428<sub>w</sub>.

FIG. 29 illustrates a method of forming a sealing system 400<sub>x</sub> in accordance with one embodiment of the invention. The method may be used to form a labyrinthian seal between two flat surfaces of a gerotor apparatus, one stationary and the other rotating about a fixed center. For example, as discussed below, the method may be used to form a labyrinthian seal between a surface 420<sub>x</sub> of an outer gerotor 14<sub>x</sub> (or an inner gerotor 16<sub>x</sub>) rotating about a fixed center and a surface 424<sub>x</sub> of a stationary housing 12<sub>x</sub>.

FIG. 29, view (a) shows a top view of a ring-shaped portion of a housing 12<sub>x</sub>, including a ring-shaped sealing portion 430<sub>x</sub>. FIG. 29, view (b) shows a partial side view of the ring-shaped portion of housing 12<sub>x</sub> as well as a portion of an outer gerotor 14<sub>x</sub>. Ring-shaped sealing portion 430<sub>x</sub> may interface with a ring-shaped sealing portion 432<sub>x</sub> of outer gerotor 14<sub>x</sub>. Sealing portion 432<sub>x</sub> of outer gerotor 14<sub>x</sub> may be formed from a relatively hard material, such as metal, and may include one or more seal protrusions, or cutters, 434<sub>x</sub> extending from a surface 420<sub>x</sub> of outer gerotor 14<sub>x</sub>. Sealing portion 430<sub>x</sub> of housing 12<sub>x</sub> may include a ring-shaped sealing member 436<sub>x</sub> that is spring loaded by one or more springs 438<sub>x</sub>. Springs 438<sub>x</sub> may push sealing member 436<sub>x</sub> upward such that during assembly and/or operation of the relevant gerotor apparatus, sealing member 436<sub>x</sub> is spring-biased against seal cutters 434<sub>x</sub> of sealing

32

portion 432<sub>x</sub>. Sealing member 436<sub>x</sub> may be formed from a soft, or abradable, material 402<sub>x</sub> such as Teflon, for example.

As outer gerotor 14<sub>x</sub> begins to rotate relative to the stationary housing 12<sub>x</sub>, seal cutters 434<sub>x</sub> abrade one or more ring-shaped seal tracks, or grooves, 440<sub>x</sub> into the abradable, spring-loaded sealing member 436<sub>x</sub>, thus forming a labyrinthian seal extending around the circumference of outer gerotor 14<sub>x</sub> and housing 12<sub>x</sub>, such as shown in view (c). Although FIG. 29 shows the abradable sealing portion 432<sub>x</sub> loaded using springs 438<sub>x</sub>, other suitable loading mechanisms may be used, such as gas or hydraulic pressure, for example.

FIG. 30 illustrates an example cross-section of a liquid-processing gerotor apparatus 10<sub>y</sub> in accordance with one embodiment of the invention. Liquid-processing gerotor apparatus 10<sub>y</sub> may process liquids, liquid/gas mixtures and/or gasses. Gerotor apparatus 10<sub>y</sub> may function as a pump, a compressor, or an expander, depending on the embodiment or application.

Gerotor apparatus 10<sub>y</sub> includes a housing 12<sub>y</sub>, an outer gerotor 14<sub>y</sub> disposed within housing 12<sub>y</sub>, an outer gerotor chamber 30<sub>y</sub> at least partially defined by outer gerotor 14<sub>y</sub>, and an inner gerotor 16<sub>y</sub> at least partially disposed within outer gerotor chamber 30<sub>y</sub>. Outer gerotor 14<sub>y</sub> is rigidly coupled to a first shaft 50<sub>y</sub>, which is rotatably coupled to housing 12<sub>y</sub> by one or more ring-shaped bearings 52<sub>y</sub>, and inner gerotor 16<sub>y</sub> is rotatably coupled to a second shaft 54<sub>y</sub> by one or more ring-shaped bearings 56<sub>y</sub>, which shaft 54<sub>y</sub> is rigidly coupled to, or integral with, housing 12<sub>y</sub>. Outer gerotor 14<sub>y</sub> rotates about a first axis and inner gerotor 16<sub>y</sub> rotates about a second axis offset from the first axis. In situations in which gerotor apparatus 10<sub>y</sub> functions as a pump, power is delivered to gerotor apparatus 10<sub>y</sub> through first shaft 50<sub>y</sub>. In situations in which gerotor apparatus 10<sub>y</sub> functions as an expander, power is output to first shaft 50<sub>y</sub>.

Housing 12<sub>y</sub> includes a valve plate 40<sub>y</sub> that includes one or more fluid inlets 42<sub>y</sub> and one or more fluid outlets 44<sub>y</sub>. Fluid inlets 42<sub>y</sub> generally allow fluids to enter outer gerotor chamber 30<sub>y</sub>. Likewise, fluid outlets 44<sub>y</sub> and check valves 230<sub>y</sub> (if present) generally allow fluids to exit outer gerotor chamber 30<sub>y</sub>. Fluid inlets 42<sub>y</sub> and fluid outlets 44<sub>y</sub> may have any suitable shape and size. Where apparatus 10<sub>y</sub> is used as a liquid pump, such as a water pump for example, the total area of fluid inlets 42<sub>y</sub> may be approximately equal to the total area of fluid outlets 44<sub>y</sub>. Where apparatus 10<sub>y</sub> functions as an expander, the total area of fluid inlets 42<sub>y</sub> may be smaller than the total area of fluid outlets 44<sub>y</sub>. Where apparatus 10<sub>y</sub> functions as a compressor, the total area of fluid inlets 42<sub>y</sub> may be greater than the total area of fluid outlets 44<sub>y</sub>. In some embodiments, valve plate 40<sub>y</sub> may also include one or more check valves 230<sub>y</sub> generally operable to allow fluids to exit from outer gerotor chamber 30<sub>y</sub>, as discussed below regarding FIG. 32, embodiment (b).

Gerotor apparatus 10<sub>y</sub> may be self-synchronizing, such as described above regarding the various gerotor apparatuses shown in FIGS. 7-27. In particular, outer gerotor 14<sub>y</sub> and/or inner gerotor 16<sub>y</sub> may include one or more low-friction regions 140<sub>y</sub> operable to reduce friction between outer gerotor 14<sub>y</sub> and/or inner gerotor 16<sub>y</sub>, thus synchronizing the relative rotation of outer gerotor 14<sub>y</sub> and inner gerotor 16<sub>y</sub>. As discussed above, low-friction regions 140<sub>y</sub> may extend a slight distance beyond the outer surface 132<sub>y</sub> of inner gerotor 16<sub>y</sub> and/or inner surface 130<sub>y</sub> of outer gerotor 14<sub>y</sub> such that only the low-friction regions 140<sub>y</sub> of inner gerotor 16<sub>y</sub> and/or outer gerotor 14<sub>y</sub> contact each other. Thus, there may be a narrow gap 144<sub>y</sub> between the remaining, higher-friction regions 142<sub>y</sub> of inner gerotor 16<sub>y</sub> and outer gerotor

14y. In addition, in some embodiments, a lubricant (not shown) may be communicated through various lubricant channels to provide lubrication between inner gerotor 16y and outer gerotor 14y.

As discussed above, low-friction regions 140y may be formed from a polymer (phenolics, nylon, polytetrafluoroethylene, acetyl, polyimide, polysulfone, polyphenylene sulfide, ultrahigh-molecular-weight polyethylene), graphite, or oil-impregnated sintered bronze, for example. In embodiments in which the fluid flowing through outer gerotor chamber 30y is water (e.g., where gerotor apparatus functions as a water pump), low-friction regions 140y may be formed from VESCONITE.

FIGS. 31A-31D illustrate example cross-sections of liquid-processing gerotor apparatus 10y taken along lines J and K, respectively, shown in FIG. 30, according to various embodiments of the invention. As shown in FIG. 31A, at section J, low-friction regions 140y are formed at each tip 160y of inner gerotor 16y, and around the inner perimeter of outer gerotor 14y defining inner surface 130y of outer gerotor 14y. Remaining portions of inner gerotor 16y and outer gerotor 14y may include higher-friction regions 142y. As shown in FIG. 31A, at section K, all of inner gerotor 16y and outer gerotor 14y may be a higher-friction region 142y. However, as discussed above regarding FIG. 30, a narrow gap 144y may be maintained between higher-friction regions 142y of inner gerotor 16y and outer gerotor 14y.

As shown in FIG. 31B, at section J, low-friction regions 140y are formed at each tip 160y of inner gerotor 16y. Outer gerotor 14y includes a low-friction region 140y proximate each tip 162y of inner surface 130y of outer gerotor 14y. Because a large portion of friction and wear between inner gerotor 16y and outer gerotor 14y occurs at the tips 160y and 162y of inner gerotor 16y and outer gerotor 14y, respectively, limiting low-friction regions 140y to areas near such tips 160y and 162y may reduce costs associated where low-friction materials 134y are relatively expensive and/or provide additional structural integrity where low-friction regions 140y are less durable than higher-friction regions 142y. As shown in FIG. 31B, at section K, all of inner gerotor 16y and outer gerotor 14y may be a higher-friction region 142y. Again, as discussed above, a narrow gap 144y may be maintained between higher-friction region 142y of inner gerotor 16y and outer gerotor 14y.

As shown in FIG. 31C, at section J, the complete cross-section of inner gerotor 16y is a low-friction region 140y, while the complete cross-section of outer gerotor 14y is a higher-friction region 142y. As shown in FIG. 31C, at section K, all of inner gerotor 16y and outer gerotor 14y may be a higher-friction region 142y.

As shown in FIG. 31D, at section J, the complete cross-section of both inner gerotor 16y and outer gerotor 14y is a low-friction region 140y. As shown in FIG. 31D, at section K, all of inner gerotor 16y and outer gerotor 14y may be a higher-friction region 142y.

FIG. 32 illustrates example cross-sections of valve plate 40y of liquid-processing gerotor apparatus 10y shown in FIG. 30 according to two different embodiments of the invention. In embodiment (a), outlet valve plate 40y includes a fluid inlet 42y allowing fluids to enter outer gerotor chamber 30y and a fluid outlet 44y allowing fluids to exit outer gerotor chamber 30y. In this embodiment, which is suitable for non-compressible fluids, such as liquids, the area of fluid inlet 42y is substantially identical to the area of fluid outlet 44y.

In embodiment (b), outlet valve plate 40y includes a fluid inlet 42y allowing fluids to enter outer gerotor chamber 30y,

a fluid outlet 44y allowing fluids to exit outer gerotor chamber 30y, and one or more check valves 230y also allowing fluids to exit outer gerotor chamber 30y. In this embodiment, the area of fluid inlet 42y may be substantially identical to the total area of fluid outlet 44y and check valves 230y. This embodiment is suitable for a pump that is pressurizing a mixture of liquid and gas. As the liquid/gas mixture is compressed within outer gerotor chamber 30y, the appropriate check valves open to discharge the liquid/gas mixture. For example, if the fluid flowing through and exiting outer gerotor chamber 30y consists only of liquid, all check valves 230y open. If the fluid flowing through and exiting outer gerotor chamber 30y contains an intermediate content of gas, a portion of check valves 230y may open. Check valves 230y may open and/or close slowly. This is particularly useful for applications that operate at relatively low pressures, such as water-based air conditioning. At low pressure, there is insufficient force available to rapidly move the mass of check valves 230y.

FIG. 33 illustrates an example cross-section of a liquid-processing gerotor apparatus 10z in accordance with another embodiment of the invention. Gerotor apparatus 10z is similar to gerotor apparatus 10y shown in FIG. 30-32, except that gerotor apparatus 10z includes an integrated motor 260z or generator 264z, as discussed in greater detail below. Liquid-processing gerotor apparatus 10z may process liquids, liquid/gas mixtures and/or gasses. Gerotor apparatus 10z may function as a pump, a compressor, or an expander, depending on the embodiment or application.

Gerotor apparatus 10z includes a housing 12z, an outer gerotor 14z disposed within housing 12z, an outer gerotor chamber 30z at least partially defined by outer gerotor 14z, and an inner gerotor 16z at least partially disposed within outer gerotor chamber 30z. Outer gerotor 14z and inner gerotor 16z are rotatably coupled to a single shaft 100z rigidly coupled to housing 12z. In particular, outer gerotor 14z is rotatably coupled to a first portion 102z of shaft 100z having a first axis about which outer gerotor 14z rotates, and inner gerotor 16z is rotatably coupled to a second portion 104z of shaft 100z having a second axis about which inner gerotor 16z rotates, the second axis being offset from the first axis.

Housing 12z includes a valve plate 40z that includes one or more fluid inlets 42z, one or more fluid outlets 44z and/or one or more check valves 230z. Fluid inlets 42z generally allow fluids to enter outer gerotor chamber 30z, and fluid outlets 44z and/or check valves 230z generally allow fluids within outer gerotor chamber 30z to exit from outer gerotor chamber 30z, such as described above regarding valve plate 40y shown in FIGS. 30 and 30.

Gerotor apparatus 10z may be self-synchronizing, such as described above regarding gerotor apparatus 10y shown in FIGS. 30-32. In particular, outer gerotor 14z and/or inner gerotor 16z may include one or more low-friction regions 140z operable to reduce friction between outer gerotor 14z and/or inner gerotor 16z, thus synchronizing the relative rotation of outer gerotor 14z and inner gerotor 16z. In addition, in some embodiments, a lubricant (not shown) may be communicated through various lubricant channels to provide lubrication between inner gerotor 16z and outer gerotor 14z.

As discussed above, gerotor apparatus 10z includes an integrated motor 260z or generator 264z. As shown in FIG. 33, motor 260z or generator 264z may be coupled to, or integrated with, housing 12z. In embodiments including a motor 260z, motor 260z may drive gerotor apparatus 10z by driving outer gerotor 14z, which may in turn drive inner

35

gerotor 16z. For example, motor 260z may drive one or more magnetic elements 262z coupled to, or integrated with, an outer perimeter surface 370z of outer gerotor 14z. In embodiments including a generator 260y, rotation of outer gerotor 14z may provide power to generator 260y to produce electricity. Motor 260y or generator 264y may comprise any suitable type of motor or generator, such as a permanent magnet motor or generator, a switched reluctance motor (SRM) or generator, or an inductance motor or generator, for example.

FIG. 34 illustrates an example cross-section of a dual gerotor apparatus 250A having an integrated motor 260A or generator 264A according to another embodiment of the invention. Dual gerotor apparatus 250A is similar to gerotor apparatus 250z shown in FIG. 33, but dual gerotor apparatus 250A includes a pair of face-breathing gerotor apparatuses, rather than a single gerotor apparatus, as discussed below.

As shown in FIG. 34, dual gerotor apparatus 250A includes a housing 12A and an integrated pair of gerotor apparatuses, including a first gerotor apparatus 10A proximate a first face 252A of apparatus 250A and a second gerotor apparatus 10A' proximate a second face 254A of apparatus 250A generally opposite first face 252A. First gerotor apparatus 10A and second gerotor apparatus 10A' may both be compressors, may both be expanders, or may include one expander and one compressor, depending on the particular embodiment or application.

Each of gerotor apparatuses 10A and 10A' may be substantially similar to gerotor apparatus 10z shown in FIG. 33 and described above. Gerotor apparatus 10A includes an outer gerotor 14A disposed within housing 12A, an outer gerotor chamber 30A at least partially defined by outer gerotor 14A, and an inner gerotor 16A at least partially disposed within outer gerotor chamber 30A. Similarly, gerotor apparatus 10A' includes an outer gerotor 14A' disposed within housing 12A, an outer gerotor chamber 30A' at least partially defined by outer gerotor 14A', and an inner gerotor 16A' at least partially disposed within outer gerotor chamber 30A'.

Outer gerotor 14A' may be rigidly coupled to, or integral with, outer gerotor 14A of gerotor apparatus 10A. Outer gerotors 14A and 14A' and inner gerotors 16A and 16A' are rotatably coupled to a single shaft 100A rigidly coupled to housing 12A. In particular, outer gerotors 14A and 14A' are rotatably coupled to first portions 102A of shaft 100A having a first axis, and inner gerotors 16A and 16A' are rotatably coupled to a second portion 104A of shaft 100A having a second axis offset from the first axis. Housing 12A includes a first valve plate 40A proximate first face 252A of apparatus 250A operable to control the flow of fluids through first gerotor apparatus 10A, and a second valve plate 40A' proximate second face 254A of apparatus 250A operable to control the flow of fluids through second gerotor apparatus 10A', such as described above with reference to FIGS. 12-13, for example. In addition, each of gerotor apparatuses 10A and 10A' may be a self-synchronizing gerotor apparatus similar to gerotor apparatus 10z shown in FIG. 33 as discussed above.

As discussed above, gerotor apparatus 10A includes an integrated motor 260A or generator 264A. Motor 260A or generator 264A may or may not be coupled to, or integrated with, housing 12A. In embodiments including a motor 260A, motor 260A may drive gerotor apparatus 10A by driving outer gerotors 14A and 14A', which may in turn drive inner gerotors 16A and 16A'. For example, motor 260A may drive one or more magnetic elements 262A coupled to, or integrated with, outer gerotors 14A and 14A'.

36

In embodiments including a generator 260A, rotation of outer gerotors 14A and 14A' may provide power to generator 260A to produce electricity. Motor 260A or generator 264A may comprise any suitable type of motor or generator, such as a permanent magnet motor or generator, a switched reluctance motor (SRM) or generator, or an inductance motor or generator, for example.

FIG. 35A illustrates an example cross-section of a dual gerotor apparatus 250B having an integrated motor 260B or generator 264B according to another embodiment of the invention. Dual gerotor apparatus 250B is similar to gerotor apparatus 250A shown in FIG. 34, except that outer gerotors 14B and 14B' of dual gerotor apparatus 250B are rotatably coupled to an interior surface of housing 12B, rather than being rotatably coupled to a shaft 100, as discussed below in greater detail.

As shown in FIG. 35A, dual gerotor apparatus 250B includes a housing 12B and an integrated pair of gerotor apparatuses, including a first gerotor apparatus 10B proximate a first face 252B of apparatus 250B and a second gerotor apparatus 10B' proximate a second face 254B of apparatus 250B generally opposite first face 252B. First gerotor apparatus 10B and second gerotor apparatus 10B' may both be compressors, may both be expanders, or may include one expander and one compressor, depending on the particular embodiment or application.

Each of gerotor apparatuses 10B and 10B' may be substantially similar to gerotor apparatus 10z shown in FIG. 33 and described above. Gerotor apparatus 10B includes an outer gerotor 14B disposed within housing 12B, an outer gerotor chamber 30B at least partially defined by outer gerotor 14B, and an inner gerotor 16B at least partially disposed within outer gerotor chamber 30B. Similarly, gerotor apparatus 10B' includes an outer gerotor 14B' disposed within housing 12B, an outer gerotor chamber 30B' at least partially defined by outer gerotor 14B', and an inner gerotor 16B' at least partially disposed within outer gerotor chamber 30B'.

Inner gerotors 16B and 16B' are rotatably coupled to a pair of shaft portions 102B and 104B sharing a first axis such that inner gerotors 16B and 16B' rotate around the first axis. Outer gerotor 14B' may be rigidly coupled to, or integral with, outer gerotor 14B of gerotor apparatus 10B. Outer gerotors 14B and 14B' are rotatably coupled to an interior perimeter surface 450B of housing 12B and rotate around a second axis offset from the first axis. In particular, outer perimeter surfaces 452B of outer gerotors 14B and 14B' rotate within, and at least partially in contact with, interior perimeter surface 450B of housing 12B. Thus, at least portions of outer perimeter surfaces 452B of outer gerotors 14B and 14B' may be low-friction regions 140B in order to reduce friction and wear between outer perimeter surfaces 452B of outer gerotors 14B and 14B' and interior perimeter surface 450B of housing 12B. In addition, outer gerotors 14B and 14B' may be self-synchronized with inner gerotors 16B and 16B', such as described above regarding gerotor apparatus 10z shown in FIG. 33. Thus, in some embodiments, such as shown in FIG. 35A, outer gerotors 14B and 14B' may be completely formed from a low-friction material 134B.

Housing 12B includes a first valve plate 40B proximate first face 252B of apparatus 250B operable to control the flow of fluids through first gerotor apparatus 10B, and a second valve plate 40B' proximate second face 254B of apparatus 250B operable to control the flow of fluids through second gerotor apparatus 10B, such as described above with reference to FIGS. 12-13, for example.



As discussed above, gerotor apparatus 10B includes an integrated motor 260B or generator 264B. Motor 260B or generator 264B may or may not be coupled to, or integrated with, housing 12B. In embodiments including a motor 260B, motor 260B may drive gerotor apparatus 10B by driving outer gerotors 14B and 14B', which may in turn drive inner gerotors 16B and 16B'. For example, motor 260B may drive one or more magnetic elements 262B coupled to, or integrated with, outer gerotors 14B and 14B'. In this embodiment, one or more magnetic elements 262B are coupled to, or integrated with, outer gerotors 14B and 14B'. Magnetic elements 262B may be formed from a low-friction material 134B in order to reduce friction and wear between surfaces of magnetic elements 262B and inner gerotors 16B and 16B'.

In embodiments including a generator 260B, rotation of outer gerotors 14B and 14B' may provide power to generator 260B to produce electricity. Motor 260B or generator 264B may comprise any suitable type of motor or generator, such as a permanent magnet motor or generator, a switched reluctance motor (SRM) or generator, or an inductance motor or generator, for example.

FIG. 35B illustrates an example cross-section of a dual gerotor apparatus 250C having an integrated motor 260C or generator 264C according to another embodiment of the invention. Dual gerotor apparatus 250C is similar to gerotor apparatus 250B shown in FIG. 35A, except that outer gerotors 14C and 14C' of dual gerotor apparatus 250C are rotatably coupled to an interior surface of housing 12C by bearings, rather than direct contact between low-friction regions 140 of outer gerotors 14C and 14C' and the interior surface of housing 12C, as discussed below in greater detail.

As shown in FIG. 35B, dual gerotor apparatus 250C includes a housing 12C and an integrated pair of gerotor apparatuses, including a first gerotor apparatus 10C proximate a first face 252C of apparatus 250C and a second gerotor apparatus 10C' proximate a second face 254C of apparatus 250C generally opposite first face 252C. First gerotor apparatus 10C and second gerotor apparatus 10C' may both be compressors, may both be expanders, or may include one expander and one compressor, depending on the particular embodiment or application.

Gerotor apparatuses 10C and 100' may be substantially similar to gerotor apparatuses 10B and 10B' shown in FIG. 35A. Gerotor apparatus 10C includes an outer gerotor 14C disposed within housing 12C, an outer gerotor chamber 30C at least partially defined by outer gerotor 14C, and an inner gerotor 16C at least partially disposed within outer gerotor chamber 30C. Similarly, gerotor apparatus 10C' includes an outer gerotor 14C' disposed within housing 12C, an outer gerotor chamber 30C' at least partially defined by outer gerotor 14C', and an inner gerotor 16C' at least partially disposed within outer gerotor chamber 30C'.

Inner gerotors 16C and 16C' are rotatably coupled to a pair of shaft portions 102C and 104C sharing a first axis such that inner gerotors 16C and 16C' rotate around the first axis. Outer gerotor 14C' may be rigidly coupled to, or integral with, outer gerotor 14C of gerotor apparatus 100. Outer gerotors 14C and 14C' are rotatably coupled to housing 12C by one or more ring-shaped bearings 52C and rotate around a second axis offset from the first axis.

In some embodiments, outer gerotors 14C and 14C' may be self-synchronized with inner gerotors 16C and 16C', such as described above regarding gerotor apparatus 10z shown in FIG. 33. Thus, in some embodiments, although not shown in order to simplify FIG. 35A, outer gerotors 14C and 14C' and/or inner gerotors 16C and 16C' may include low-friction regions 140C to facilitate the synchronization.

As discussed above, gerotor apparatus 10C includes an integrated motor 260C or generator 264C. Motor 260C or generator 264C may or may not be coupled to, or integrated with, housing 12C. In embodiments including a motor 260C, motor 260C may drive gerotor apparatus 10C by driving outer gerotors 14C and 14C', which may in turn drive inner gerotors 16C and 16C'. For example, motor 260C may drive one or more magnetic elements 262C coupled to, or integrated with, outer gerotors 14C and 14C'. In this embodiment, one or more magnetic elements 262C are coupled to, or integrated with, outer gerotors 14C and 14C'. In embodiments including a generator 260C, rotation of outer gerotors 14C and 14C' may provide power to generator 260C to produce electricity. Motor 260C or generator 264C may comprise any suitable type of motor or generator, such as a permanent magnet motor or generator, a switched reluctance motor (SRM) or generator, or an inductance motor or generator, for example.

FIGS. 36-37 illustrate example cross-sections of dual gerotor apparatuses 250D and 250E according to other embodiments of the invention. Dual gerotor apparatuses 250D/250E are similar to dual gerotor apparatus 250B shown in FIG. 35A, except that dual gerotor apparatuses 250D/250E are powered by a rotatable shaft 270D/270E coupled to outer gerotors 14D/14E and 14D'/14E' of dual gerotor apparatus 250D/250E by a coupling device 272D/272E, rather than by a motor, as discussed below in greater detail.

As shown in FIGS. 36-37, dual gerotor apparatuses 250D/250E include a housing 12D/12E and an integrated pair of gerotor apparatuses, including a first gerotor apparatus 10D/10E and a second gerotor apparatus 10D'/10E'. First gerotor apparatus 10D/10E and second gerotor apparatus 10D'/10E' may both be compressors, may both be expanders, or may include one expander and one compressor, depending on the particular embodiment or application.

Gerotor apparatuses 10D/10E and 10D'/10E' may be substantially similar to gerotor apparatuses 10B and 10B' shown in FIG. 35A. Gerotor apparatus 10D/10E includes an outer gerotor 14D/14E and an inner gerotor 16D/16E, and gerotor apparatus 10D'/10E' includes an outer gerotor 14D'/14E' and an inner gerotor 16D'/16E'. Inner gerotors 16D/16E and 16D'/16E' are rotatably coupled to a pair of shaft portions 102D/102E and 104D/104E sharing a first axis. Outer gerotor 14D'/14E' may be rigidly coupled to, or integral with, outer gerotor 14D of gerotor apparatus 10D/10E. Like outer gerotors 14B and 14B' shown in FIG. 35A, outer gerotors 14D/14E and 14D'/14E' shown in FIGS. 36-37 are rotatably coupled to an interior perimeter surface 450D/450E of housing 12D/12E. Thus, all or portions of outer gerotors 14D/14E and 14D'/14E' may be low-friction regions 140D/140E in order to reduce friction and wear between outer perimeter surfaces 452D/452E of outer gerotors 14D/14E and 14D'/14E' and interior perimeter surface 450D/450E of housing 12D/12E. In addition, outer gerotors 14D/14E and 14D'/14E' may be self-synchronized with inner gerotors 16D/16E and 16D'/16E', such as described above regarding gerotor apparatus 10z shown in FIG. 33. Thus, in some embodiments, such as shown in FIGS. 36-37, outer gerotors 14D/14E and 14D'/14E' may be completely formed from a low-friction material 134D/134E.

Dual gerotor apparatuses 250D/250E are powered by a rotatable shaft 270D/270E coupled to outer gerotors 14D/14E and 14D'/14E' of dual gerotor apparatuses 250D/250E, such as described above with reference to FIGS. 20-21, for example. As shown in FIG. 36, rotatable shaft 270D is coupled to the rigidly coupled, or integrated, outer gerotors

39

14D and 14D' by a coupling system 272D such that rotation of outer gerotors 14D and 14D' causes rotation of shaft 270D and/or vice-versa. Coupling system 272D includes a first gear 274D rigidly coupled to outer gerotors 14D and 14D' and interacting with a second gear 276D rigidly coupled to rotatable drive shaft 270D. As shown in FIG. 37, coupling system 272E includes a first coupler 360E rigidly coupled to outer gerotors 14E and 14E' and interacting with a second coupler 362E rigidly coupled to rotatable drive shaft 270E. A flexible coupling device 364E, such as a chain or belt, couples first coupler 360E and second coupler 362E such that rotation of outer gerotors 14E and 14E' causes rotation of drive shaft 270E, and vice versa.

FIG. 38 illustrates an example cross-section of a face-breathing engine system 300F in accordance with one embodiment of the invention. Engine system 300F includes a housing 12F, a compressor gerotor apparatus 10F, and an expander gerotor apparatus 10F'. Compressor gerotor apparatus 10F includes a compressor outer gerotor 14F disposed within housing 12F, a compressor outer gerotor chamber 30F at least partially defined by compressor outer gerotor 14F, and a compressor inner gerotor 16F at least partially disposed within compressor outer gerotor chamber 30F. Similarly, expander gerotor apparatus 10F' includes an expander outer gerotor 14F' disposed within housing 12F, an expander outer gerotor chamber 30F' at least partially defined by expander outer gerotor 14F', and an expander inner gerotor 16F' at least partially disposed within expander outer gerotor chamber 30F'.

Compressor outer gerotor 14F may be rigidly coupled to, or integral with, expander outer gerotor 14F'. Similarly, compressor inner gerotor 16F may be rigidly coupled to, or integral with, expander inner gerotor 16F'. Compressor and expander inner gerotors 16F and 16F' may be rigidly coupled to a cylindrical member 278F, which may be rotatably coupled by one or more ring-shaped bearings 52F to a shaft 50F rigidly coupled to housing 12F. Compressor and expander outer gerotors 14F and 14F' may be rigidly coupled to a cylindrical member 279F, which may be rotatably coupled to cylindrical portion 330F of housing 12F by one or more ring-shaped bearings 56F.

Engine system 300F breathes through a first face 252F and second face 254F of system 300F. Housing 12F includes compressor valve portions 40F proximate first face 252F of system 300F and operable to control the flow of fluids through compressor gerotor apparatus 10F, and an expander valve plate 40F' proximate second face 254F of system 300F operable to control the flow of fluids through expander gerotor apparatus 10F'. Compressor valve portions 40F define at least one compressor fluid inlet 42F allowing fluids to enter compressor outer gerotor chamber 30F, and at least one compressor fluid outlet 44F allowing fluids to exit compressor outer gerotor chamber 30F. Housing 12F may include compressor outlet channeling portions 460F and 462F that define fluid passageways 464F and 466F to carry fluids (e.g., compressed gasses) away from compressor outer gerotor chamber 30F, as indicated by arrow 470F. Expander valve plate 40F' defines at least one expander fluid inlet 42F' allowing fluids to enter expander outer gerotor chamber 30F', and at least one expander fluid outlet 44F' allowing fluids to exit expander outer gerotor chamber 30F'.

Compressor gerotor apparatus 10F and/or expander gerotor apparatus 10F' of engine system 300F shown in FIG. 16 may be self-synchronizing, such as described above regarding the various gerotor apparatuses discussed herein. Compressor gerotor apparatus 10F of engine system 300F may include one or more low-friction regions 140F operable to

40

perform the synchronization function for both compressor gerotor apparatus 10F and expander gerotor apparatus 10F', such as described above with reference to FIGS. 14-26, for example. In other embodiments, engine system 300F may include a synchronizing system 18F, such as shown in FIGS. 1-6, for example. In addition, although not shown in order to simplify FIG. 38, a lubricant may be communicated through lubricant channels to provide lubrication between compressor inner gerotor 16F and compressor outer gerotor 14F.

Engine system 300F may power a rotatable shaft 270F coupled to outer gerotors 14F and 14F', such as described above with reference to FIGS. 20-21, for example. As shown in FIG. 38, rotatable shaft 270F is coupled outer gerotors 14F and 14F' by a coupling system 272F such that rotation of outer gerotors 14F and 14F' causes rotation of shaft 270F and/or vice-versa. Coupling system 272F includes a first gear 274F rigidly coupled to cylindrical member 279F interacting with a second gear 276F rigidly coupled to rotatable drive shaft 270F, which may be rotatably coupled to housing 12F by one or more ring-shaped bearings 474F. In alternative embodiments, coupling system 272F may include a flexible coupling device, such as a belt or chain.

In this embodiment, all of the bearings included in engine system 300F, including bearings 52F, 56F, and 474F, are located near compressor gerotor apparatus 10F or distanced away from expander gerotor apparatus 10F'. This may be advantageous because compressor gerotor apparatus 10F is generally cooler than expander gerotor apparatus 10F', thus protecting bearings 52F, 56F, and 474F from thermal effects.

FIG. 39 illustrates example cross-sectional views S, T and U of engine system 300F taken along lines S, T and U, respectively, shown in FIG. 38 according to one embodiment of the invention.

View S is a cross-sectional view of expander valve plate 40F', which includes an expander fluid inlet 42F' allowing fluids to enter expander outer gerotor chamber 30F', and an expander fluid outlet 44F' allowing fluids to exit expander outer gerotor chamber 30F'.

View T is a cross-sectional view of expander gerotor apparatus 10F', showing expander outer gerotor 14F', expander inner gerotor 16F', and expander outer gerotor chamber 30F'.

View U is a cross-sectional view taken through a portion 480F of housing 12F, and showing shaft 50F and cylindrical member 278F rigidly coupled to inner gerotors 16F and 16F'.

FIG. 40 illustrates example cross-sectional views V, W and X of engine system 300F taken along lines V, W and X, respectively, shown in FIG. 38 according to one embodiment of the invention.

View V is a cross-sectional view of compressor gerotor apparatus 10F, showing compressor outer gerotor 14F, compressor inner gerotor 16F, and compressor outer gerotor chamber 30F. Compressor inner gerotor 16F includes low-friction regions 140F at each tip 160F, and compressor outer gerotor 14F includes low-friction regions 140F proximate compressor outer gerotor chamber 30F.

View W is a cross-sectional view taken through outer channeling portion 460F of housing 12F, which view indicates compressor fluid inlet 42F and compressor fluid outlet 44F. As shown in view W, the cross-sectional area of compressor fluid inlet 42F is greater than the cross-sectional area and compressor fluid outlet 44F.

View X is a cross-sectional view taken through outer channeling portion 460F of housing 12F, as well as through passageway 464F formed by outer channeling portion 460F.

41

View X indicates compressor fluid inlet 42F, compressor fluid outlet 44F, and passageway 464F. As discussed above, compressor fluid outlet 44F and passageway 464F are operable to carry compressed fluids (e.g., high-pressurized gases) away from compressor apparatus 10F.

FIG. 41 illustrates example cross-sectional views Y and Z of engine system 300F taken along lines Y and Z, respectively, shown in FIG. 38 according to one embodiment of the invention.

View Y is a cross-sectional view of a spoked-hub member 490F coupling outer gerotors 14F and 14F' to cylindrical member 279F (see also FIG. 38). As discussed above, cylindrical member 279F rotates around channeling portion 462F of housing 12F, which defines fluid passageway 466F. The spoked-hub cross-section of spoked-hub member 490F allows fluids to enter compressor apparatus 10F through compressor fluid inlet 42F.

View Z is a cross-sectional view taken through housing 12F, indicating compressor fluid inlet 42F, cylindrical member 279F, channeling portion 462F of housing 12F, fluid passageway 466F, first gear 274F and second gear 276F of coupling system 272F, and rotatable drive shaft 270F.

FIG. 42 illustrates an example cross-section of a gerotor apparatus 10G including a synchronizing system 18G in accordance with one embodiment of the invention. Gerotor apparatus 10G includes an outer gerotor 14G, an outer gerotor chamber 30G at least partially defined by outer gerotor 14G, and an inner gerotor 16G at least partially disposed within outer gerotor chamber 30G. Inner gerotor 16G is rigidly coupled to a first shaft 50G, which is rotatably coupled to housing 12G, such that inner gerotor 16G rotates around a first axis. Outer gerotor 14G is rigidly coupled to a second shaft 54G, which is rotatably coupled to housing 12G, such that inner gerotor 16G rotates around a second axis offset from first axis (here, in a direction into or out of the page).

Synchronizing system 18G is coupled to, or integrated with, inner gerotor 16G and outer gerotor 14G. Synchronizing system 18G includes an alignment guide, or track, 500G formed in outer gerotor 14G, and one or more sockets 502G formed in a synchronization disc 503G rigidly coupled to, or integrated with, inner gerotor 16G. Sockets 502G may be located outside the outer perimeter of inner gerotor 16G. One or more spherical balls 504G are socket-mounted within sockets 502G such that they may travel (e.g., roll) along alignment track 500G, which synchronizes the relative rotation of inner gerotor 16G and outer gerotor 14G. If balls 504G are well lubricated, they may rotate, rather than slide, within sockets 502G and alignment track 500G, thus reducing friction and wear. Because balls 504G are constantly being accelerated and decelerated as they move along alignment track 500G, sliding may be reduced and rotation encouraged by making balls 504G as light as reasonably possible. Thus, in some embodiments, balls 504G are ceramic or hollow-metal spheres.

In other embodiments, instead of balls 504G, synchronizing system 18G may include a number of alignment members (such as knobs, rollers or pegs, for example) rigidly coupled to inner gerotor 16G. Like balls 504G, such alignment members may travel within alignment track 500G formed in outer gerotor 14G in order to synchronize the relative rotation of inner gerotor 16G and outer gerotor 14G. In addition, in other embodiments, sockets 502G may be formed in outer gerotor 14G and alignment track 500G may be formed in synchronization disc 503G rigidly coupled to, or integrated with, inner gerotor 16G.

42

FIG. 43 illustrates a cross-section view of gerotor apparatus 10G taken through line AA shown in FIG. 42. In particular, FIG. 43 shows outer gerotor 14G, inner gerotor 16G, outer gerotor chamber 30G, alignment track 500G formed in outer gerotor 14G, and a number of balls 504G mounted within sockets 502G (see FIG. 42) and traveling along alignment track 500G.

In some embodiments, the shape of alignment track 500G may be defined as described with respect to one or more of FIGS. 88-91 of U.S. patent application Ser. No. 10/359,487, which is herein incorporated by reference, as discussed above. Alignment track 500G may include a number of tips 506G corresponding to the number of tips 162G defined by outer gerotor chamber 30G. Thus, in this embodiment, alignment track 500G includes six tips 506G corresponding with the six tips 162G of outer gerotor chamber 30G. Synchronizing system 18G may include a number of balls 504G corresponding to the number of tips 160G defined by inner gerotor 16G. Thus, in this embodiment, synchronizing system 18G includes five balls 504G corresponding with the five tips 160G of inner gerotor 16G.

FIG. 44 illustrates an example cross-section of a gerotor apparatus 10H including a synchronizing system 18H in accordance with one embodiment of the invention. Gerotor apparatus 10H includes an outer gerotor 14H, an outer gerotor chamber 30H at least partially defined by outer gerotor 14H, and an inner gerotor 16H at least partially disposed within outer gerotor chamber 30H. Inner gerotor 16H is rigidly coupled to a first shaft 50H, which is rotatably coupled to housing 12H, such that inner gerotor 16H rotates around a first axis. Outer gerotor 14H is rigidly coupled to a second shaft 54H, which is rotatably coupled to housing 12H, such that inner gerotor 16H rotates around a second axis offset from first axis (here, in a direction into or out of the page).

Synchronizing system 18H is coupled to, or integrated with, inner gerotor 16H and outer gerotor 14H. Synchronizing system 18H includes an outer gerotor alignment guide, or track, 500H formed in outer gerotor 14H, and one or more sockets 502H formed within inner gerotor 16H itself. One or more spherical balls 504H are socket-mounted within sockets 502H such that they may travel (e.g., roll) along alignment track 500H, which synchronizes the relative rotation of inner gerotor 16H and outer gerotor 14H. If balls 504H are well lubricated, they may rotate, rather than slide, within sockets 502H and alignment track 500H, thus reducing friction and wear. Because balls 504H are constantly being accelerated and decelerated as they move along alignment track 500H, sliding may be reduced and rotation encouraged by making balls 504H as light as reasonably possible. Thus, in some embodiments, balls 504H are ceramic or hollow-metal spheres.

In other embodiments, synchronizing system 18H may include a number of alignment members (such as knobs, rollers or pegs, for example) rigidly coupled to inner gerotor 16H instead of balls 504H. Like balls 504H, such alignment members may travel within alignment track 500H formed in outer gerotor 14H in order to synchronize the relative rotation of inner gerotor 16H and outer gerotor 14H. In addition, in other embodiments, sockets 502H may be formed in outer gerotor 14H and alignment track 500H may be formed in inner gerotor 16H.

FIG. 45 illustrates a cross-section view of gerotor apparatus 10H taken through line BB shown in FIG. 44. In particular, FIG. 45 shows outer gerotor 14H, inner gerotor 16H, outer gerotor chamber 30H, alignment track 500H

formed in outer gerotor 16H, and a number of balls 504H mounted within sockets 502H (see FIG. 44) and traveling along alignment track 500H.

In some embodiments, the shape of alignment track 500H may be defined as described at least with respect to one or more of FIGS. 88-91 of U.S. patent application Ser. No. 10/359,487, which is herein incorporated by reference, as discussed above. Alignment track 500H may include a number of tips 506H corresponding to the number of tips 162H defined by outer gerotor chamber 30H. Thus, in this embodiment, alignment track 500H includes six tips 506H corresponding with the six tips 162H of outer gerotor chamber 30H. Synchronizing system 18H may include a number of balls 504H corresponding to the number of tips 160H defined by inner gerotor 16H. Thus, in this embodiment, synchronizing system 18H includes five balls 504H corresponding with the five tips 160H of inner gerotor 16H.

Generally, the inner and outer gerotors described above have been based upon a hypocycloid or an epicycloid. These geometric shapes are determined by rolling a small circle inside or outside a large circle. The diameter of the larger circle is an integer number times the diameter of the small circle.

$$D_L = \alpha D_s \quad (\alpha = \text{integer})$$

For the hypocycloid and epicycloid, the reference point is located on the outside diameter of the smaller circle

$$r = D_s$$

With reference to FIG. 105, the reference point traces the hypocycloid shape when the small circle is rotated inside the larger circle and it traces the epicycloid shape when the small circle is rotated outside the larger circle.

The hypocycloid and epicycloid are special cases of the general cases of hypotrochoids and epitrochoids, respectively. In the general cases, the reference point is located at an arbitrary radius. In one embodiment, for processing fluid, the reference point is at a radius within the smaller circle:

$$r \leq D_s$$

The hypotrochoids and epitrochoids (and the special cases of hypocycloids and epicycloids) have relatively sharp tips, which may be mechanically fragile. To strengthen the tips, an offset may be added, as shown in FIG. 106.

For an inner gerotor of defined geometry (e.g., hypocycloid, epicycloid, hypotrochoid, epitrochoid) the outer conjugate is the geometry of the outer gerotor. Conceptually, the outer conjugate may be determined by imagining the inner gerotor is mated with a tray of sand. The inner gerotor and tray of sand each spin about their respective centers. The relative spinning rate is determined by the relative number of inner and outer teeth. The outer conjugate is the shape of the remaining sand that is not pushed away. In some cases, the outer conjugate is a well-defined shape with a name (e.g., hypocycloid, epicycloid, hypotrochoid, epitrochoid); in other cases, the outer conjugate does not have a name.

For an outer gerotor of defined geometry (e.g., hypocycloid, epicycloid, hypotrochoid, epitrochoid) the inner conjugate is the geometry of the inner gerotor. Conceptually, the inner conjugate may be determined by imagining the outer gerotor is mated with a tray of sand. The outer gerotor and tray of sand each spin about their respective centers. The relative spinning rate is determined by the relative number of inner and outer teeth. The inner conjugate is the shape of the remaining sand that is not pushed away. In some cases, the inner conjugate is a well-defined shape with a name (e.g.,

hypocycloid, epicycloid, hypotrochoid, epitrochoid); in other cases, the inner conjugate does not have a name.

The following table shows the combinations of geometries of inner and outer gerotors:

Combination	Inner gerotor	Outer gerotor	Possible?
A	hypocycloid	hypocycloid	yes
B	epicycloid	epicycloid	yes
C	hypocycloid	epicycloid	yes
D	epicycloid	hypocycloid	no
E	hypotrochoid	conjugate	yes
F	conjugate	hypotrochoid	yes
G	epitrochoid	conjugate	yes
H	conjugate	epitrochoid	yes

The following articles, which are herein incorporated by reference, provide detailed methods for defining the geometry of hypocycloids, epicycloids, hypotrochoids, epitrochoids, and conjugates with and without offsets:

Jaroslav Stryczek, *Hydraulic Machines with Cycloidal Gearing*, Archiwum Budowy Maszyn (Archive of Mechanical Engineering), Vol. 43, No. 1, pp. 29-72 (1996).

J. B. Shung and G. R. Pennock, *Geometry for Trochoidal-Type Machines with Conjugate Envelopes, Mechanisms and Machine Theory*, Vol. 29, No. 1, pp. 25-42 (1994).

FIGS. 46-49 illustrate a gerotor apparatus 810a according to one embodiment of the invention that is based upon Combination E in the above table, a hypotrochoid inner gerotor 816a and a conjugate outer gerotor 814a. Gerotor apparatus 810a may function both as a compressor or an expander; in the illustrated embodiment, it is assumed to be a compressor. An advantage of Combination E gerotors is that they have very large volumetric capacities, compared to many of the other alternatives. In the example shown in FIGS. 46-49, outer gerotor 814a is disposed within a housing 812a and is rotatable with respect to housing 812a via any suitable manner, such as a shaft 801 and suitable bearings 802. As illustrated best in FIG. 47, outer gerotor 814a includes one tip (sometimes referred to as a "lobe"); however, outer gerotor 814a may include any suitable number of tips. Outer gerotor 814a includes an inlet port 820a that leads to an inner chamber 830a defined by the inside surface of outer gerotor 814a.

As illustrated best in FIG. 48, housing 812a includes a plurality of openings 842a, which may have any suitable size, shape, and orientation. In the illustrated embodiment, openings 842a are vertical slots. Openings 842a allow gas or vapor to enter inner chamber 830a of outer gerotor 814a, as described in further detail below.

Inner gerotor 816a is disposed within inner chamber 830a and is rotatably coupled to a first end 815a of housing 812a via any suitable manner. In the illustrated embodiment, inner gerotor 816a is rotatably coupled to an exit pipe 817a via bearings 803. As illustrated best in FIG. 47, inner gerotor 816a includes two tips 819a (i.e., "lobes"); however, inner gerotor 816a may include any suitable number of tips. In addition, inner gerotor 816a may have any suitable configuration. In the illustrated embodiment, the outside surface of inner gerotor 816a is defined by a hypotrochoid. Inner gerotor 816a also includes a pair of passageways 821a that are each in fluid communication with exit pipe 817a at various times during the rotation of inner gerotor 816a. Passageways 821a may have any suitable size and shape.

Referring mainly to FIG. 47, in operation of one embodiment, both inner gerotor 816a and outer gerotor 814a are

spinning clockwise, but outer gerotor **814a** is spinning more rapidly (twice as fast in this embodiment). The white dot on inner gerotor **816a** is simply a reference point to illustrate the orientation of inner gerotor **816a** during rotation and serves no other function. Gas or vapor enters through inlet port **820a** located in outer gerotor **814a**. At particular points in the rotation (positions 3 and 7), the captured volume is a maximum. As the rotation continues, the captured volume compresses. Ultimately, the compressed gas travels down through one of the passageways **821a** on inner gerotor **816a** and into and out of exit pipe **817a**. While part of inner chamber **830a** is growing and gathering more air, one of the passageways **821a** on inner gerotor **816a** is blocked so the gas cannot enter it. When part of inner chamber **830a** is shrinking and the gas is compressing, one of the passageways **821a** on inner gerotor **816a** is open allowing the gas to exit.

As best illustrated by FIG. 46, exit pipe **817a** includes a projecting portion **823a** that projects upward into inner gerotor **816a**, thereby blocking one of the passageways **821a** at certain times during the rotation of inner gerotor **816a**. Projecting portion **823a** may have any suitable configuration; however, in the illustrated embodiment, projecting portion **823a** is substantially semicircular.

Gerotor apparatus **810a** also includes a synchronization system **818a** that synchronizes the motion of inner gerotor **816a** and outer gerotor **814a**. In the illustrated embodiment, as best shown in FIGS. 48 and 49, synchronization system **818a** includes an alignment member **828a** and an alignment guide **826a**. Alignment member **828a** may be any suitable alignment member, such as a peg, and alignment guide **826a** may be any suitable alignment guide, such as a suitably shaped track. For example, as shown in FIGS. 48 and 49, the track may have a heart shape. Or the track may have a shape configured according to the method outlined in FIG. 2 above. Other suitable synchronization systems are contemplated by the present invention, such as those described in previous disclosures for other embodiments. For example, a gear set may be utilized as well. FIG. 49 illustrates synchronization system **818a** in operation of one embodiment of the invention. The black dot on outer gerotor **814a** is simply a reference point to illustrate the orientation of outer gerotor **814a** during rotation and serves no other function.

FIGS. 50 and 51 illustrate a gerotor apparatus **810b** according to another embodiment of the invention, which may only function as a compressor. Gerotor apparatus **810b** is substantially similar to gerotor apparatus **810a**; however, gerotor apparatus **810b** includes an inner gerotor **816b** having a plurality of check valves **805** associated with respective ones of passageways **821b** to regulate the discharge of gas through passageways **821b** of inner gerotor **816b**. Check valves **805** may be any suitable check valves and may be coupled to passageways **821b** in any suitable manner. Because of the existence of check valves **805**, exit pipe **817b** does not include a projecting portion.

FIG. 52 illustrates a gerotor apparatus **810c** according to another embodiment of the invention. Gerotor apparatus **810c** is substantially similar to gerotor apparatus **810b**; however, rather than employing a synchronizing system, inner gerotor **816c** and outer gerotor **814c** contact each other. Wear may be minimized by including a lubricant in the gas, as referenced by reference numeral **806**, such as is done with vapor-compression air conditioners. Alternatively, the points of contact between inner gerotor **816c** and outer gerotor **814c** may be made from low-friction materials, such as those

described above. In one embodiment, if water is used as a lubricant, a suitable low-friction material may be VESCONITE.

FIGS. 53-55 illustrate a gerotor apparatus **810d** according to another embodiment of the invention. Gerotor apparatus **810d** is substantially similar to gerotor apparatus **810b**; however, for its synchronizing system **818d**, gerotor apparatus **810d** employs a peg **828d** rigidly attached to outer gerotor **814d**. View M as shown in FIG. 54 illustrates that peg **828d** rides in a linear track **826d** located within inner gerotor **816d**. Both peg **828d** and linear track **826d** may be constructed from any suitable metal. Alternatively, peg **828d** and linear track **826d** may be constructed of low-friction materials, such as those described above. In one embodiment, if water is used as a lubricant, a suitable low-friction material is VESCONITE. Synchronizing system **818d** may also be used in conjunction with any suitable lubricant, such as oil or grease. As yet another alternative, peg **828d** may be constructed of a roller bearing that rolls within linear track **826d**. FIG. 55 illustrates synchronization system **818d** in operation of one embodiment of the invention. The small black dots illustrated are simply reference points to illustrate the orientation of outer gerotor **814d** and inner gerotor **816d** during rotation.

FIGS. 56-59 illustrate a gerotor apparatus **810e** according to another embodiment of the invention. Gerotor apparatus **810e** may function both as a compressor or expander; here, it is assumed to be a compressor. Gerotor apparatus **810e** has a synchronization system **818e** similar to that of gerotor apparatus **810d**; however, the motion of the inner and outer gerotors may be synchronized in other suitable manners. In this embodiment, gerotor apparatus **810e** accounts for the discharge of gas through an outlet port **807** formed in a faceplate **808** of the outer gerotor **814e** rather than through an exit pipe in the center. View N (FIG. 57) shows a small notch **844** in outer gerotor **814e** through which gas travels through outlet port **807** for exiting through an exhaust port **809** formed in housing **812e**. Notch **844**, outlet port **807** and exhaust port **809** may have any suitable size and shape. View O (FIG. 58) shows outlet port **807** in sectional view and View P (FIG. 59) shows exhaust port **809** in sectional view. The position and length of exhaust port **809** determines the compression ratio for gerotor apparatus **810e**. Generally, a longer exhaust port **809** means a lower compression device whereas a shorter exhaust port **809** means a higher compression device. In this embodiment, both inner gerotor **816e** and outer gerotor **814e** may be rotatably coupled to housing **812e** via a shaft **843** that is rigidly coupled to housing **812e**.

FIGS. 60-61 illustrate a gerotor apparatus **810f** according to another embodiment of the invention. Gerotor apparatus **810f** is substantially similar to gerotor apparatus **810e**; however, inlet air enters from an inlet port **845** formed in an endwall **846** of housing **812f** rather than from a sidewall. In other embodiments, air could enter from both endwall **846** and the sidewall of housing **812f**. View II (FIG. 61) shows a notch **847** that allows air to enter outer gerotor **814f** via an inlet port **848**. View JJ shows inlet port **848** through which the air flows. View KK shows the inlet port **845** in housing **812f**. Notch **847**, inlet port **848** and inlet port **845** may have any suitable size and shape.

FIGS. 62-63 illustrate a gerotor apparatus **810g** according to another embodiment of the invention. Gerotor apparatus **810g** is substantially similar to gerotor apparatus **810f**; however, the discharge is through a hole **849**, rather than a notch. In some embodiments, it is possible that the discharge methods of FIGS. 56 and 62 could be combined, allowing gas to discharge from both the hole and notch. View LL

(FIG. 63) shows that there is no notch and View MM shows hole 849 through which the gas exits. View NN shows an exhaust port 850 in housing 812g, which functions similarly to exhaust port 809 of FIG. 59.

FIGS. 64-68 illustrate a gerotor apparatus 810h according to another embodiment of the invention. In this embodiment, an outer gerotor 814h is stationary; there is no separate housing. Outer gerotor 814h includes at least one inlet port 820h that leads to an inner chamber 830h defined by the inside surface of outer gerotor 814h. A first shaft 851 is rotatably coupled to outer gerotor 814h and a disk 852 is coupled to first shaft 851. A second shaft 853 is coupled to disk 852 and is offset from the axis of rotation of first shaft 851. This arrangement facilitates the rotation and orbiting of an inner gerotor 816h within inner chamber 830h because inner gerotor is rotatably coupled to second shaft 853. As shown best in FIG. 65, the white dot on inner gerotor 816h is simply a reference point illustrating the orientation of inner gerotor 816h during rotation. Also shown in FIG. 65 are the centers of rotation of inner gerotor 816h.

In operation of this embodiment, gas enters through side port 820h on outer gerotor 814h and exits through an outlet port 854 formed in outer gerotor 814h. Although outlet port 854 may be formed in any suitable location, in the illustrated embodiment, outlet port 854 is located on the opposite side of the tip separates inlet port 820h from outlet port 854. The motion of inner gerotor 816h and outer gerotor 814h may be synchronized in any suitable manner, such as with a synchronization system 818h as illustrated in FIG. 68.

FIGS. 66 and 67 illustrate that gerotor apparatus 810h, in accordance with another embodiment of the invention, may include a check valve 855 associated with outlet port 854 to regulate the discharge of gas through outlet port 854 of outer gerotor 814h. In addition, View R of FIG. 67 illustrates that an endwall 857 of outer gerotor 814h may have an aperture 858 formed therein for an additional gas outlet. Aperture 858 may have an associated check valve 856 to regulate the discharge of gas therethrough. Check valves 855 and 856 may be any suitable check valves and may couple to outlet port 854 and aperture 858 in any suitable manner.

FIG. 69 illustrates a gerotor apparatus 810i according to another embodiment of the invention. Gerotor apparatus 810i is substantially similar to gerotor apparatus 810a (see FIGS. 46-47 above); however, an inner gerotor 816i of gerotor apparatus 810i has four tips 819i and an outer gerotor 814i has three tips. Inner gerotor 816i is disposed within inner chamber 830i and is rotatably coupled to an exit pipe 817i. In the illustrated embodiment, the outside surface of inner gerotor 816i is defined by a hypocycloid. Inner gerotor 816i includes a plurality of passageways 821i that are each in fluid communication with exit pipe 817i at various times during the rotation of inner gerotor 816i. Passageways 821i may have any suitable size and shape. Exit pipe 817i includes a projecting portion 823i that projects upward into inner gerotor 816i, thereby blocking three of the four passageways 821i at certain times during the rotation of inner gerotor 816i. The projecting portion in this embodiment is penannular; however, other configurations are contemplated by the present invention.

FIG. 70 shows a method by which a track may be scribed onto an inner gerotor, such as inner gerotor 816i. A bar 860 is rigidly attached to an outer gerotor, in this case, outer gerotor 814i. As the inner and outer gerotors rotate with respect to each other, a point 861 on bar 860 scribes an outline of a track 862 (FIG. 71) onto inner gerotor 816i. FIG. 72 shows pegs 863 located on outer gerotor 814i sliding along track 862. The side view shown in FIG. 53 illustrates

a placement of the pegs 863 and track 862, as an example. Other suitable synchronization systems are contemplated by the present invention.

FIG. 73 illustrates a gerotor apparatus 810j according to another embodiment of the invention. Gerotor apparatus 810j is substantially similar to gerotor apparatus 810i; however, gerotor apparatus 810j includes an inner gerotor 816j having a plurality of check valves 865 associated with respective ones of passageways 821j to regulate the discharge of gas through passageways 821j of inner gerotor 816j. Check valves 865 may be any suitable check valves and may be coupled to passageways 821j in any suitable manner. Because of the existence of check valves 865, the exit pipe (not explicitly shown) does not include a projecting portion.

FIGS. 74 and 75 illustrate a gerotor apparatus 810k according to another embodiment of the invention. Gerotor apparatus 810k is substantially similar to gerotor apparatus 810h (see FIGS. 64 and 65); however, an inner gerotor 816k has four tips 819k and an outer gerotor 814k has three. FIG. 75 shows a possible valve plate 866 that has any suitable number of check valves 867 that provide an additional means for gas to exit gerotor apparatus 810k.

FIG. 76 shows a plurality of pegs 868 and a track 869 for gerotor apparatus 810k. For simplicity purposes, the inlet and outlet ports of outer gerotor 814k are not explicitly shown. In the illustrated embodiment, the shape of track 869 is a hypocycloid. The outer shape of inner gerotor 816k may be generated by adding an offset to the hypocycloid.

FIGS. 77-80 illustrate a face-breathing engine system 900a in accordance with one embodiment of the invention. Engine system 900a is similar to engine system 300o shown in FIG. 20 in that power is transmitted from outer gerotors 914a and 914a' to an external rotatable shaft 901 via a suitable gear set 902 (see View DD in FIG. 79). However, engine system 900a is different because it employs thermal management systems and components, as described below in conjunction with FIGS. 79 and 80.

Referring to FIG. 78, View AA shows a compressor valve plate 903. An inlet port 904 is on the right and a smaller outlet port 905 is on the lower left. A small hole 906 between inlet port 904 and outlet port 905 allows a small portion of partially compressed air to be bled off for cooling purposes for expander section 907a, as indicated by reference numeral 908. View BB shows low-friction inserts 909 on the tips of inner compressor gerotor 916a and along the inner edge of the outer compressor gerotor 914a. The inserts 909 allow direct contact between inner compressor gerotor 916a and outer compressor gerotor 914a, thus synchronizing their rotation. View CC shows lower portions of inner compressor gerotor 916a and outer compressor gerotor 914a, where there is no substantial physical contact. Other suitable synchronizing systems may be utilized, such as gears or pegs/cams. Please refer to FIGS. 16-22 above for additional details on compressor section 911a.

Referring to FIG. 79, View EE shows a cross-section through a heat sink 918a, that is coupled between outer compressor gerotor 914a and outer expander gerotor 914a'. In some embodiments, heat sink 918a may include a plurality of fins 919 on the exterior to help dissipate heat. Heat sink 918a may be constructed of any suitable material, such as a solid metal with a thick cross-section to help transfer heat to fins 919. Alternatively, heat sink 918a may be a suitable heat pipe, which is able to transfer heat to fins 919 with great capacity. Also shown in View EE is a perforated housing 912a' of expander section 907a.

View FF shows an upper portion **921** of outer expander gerotor **914a'** that couples to heat sink **918a**. Rather than a continuous connection, upper portion **921** is segmented in order to intermittently couple to heat sink **918a** to minimize the cross-sectional area for heat transfer between the hot outer expander gerotor **914a'** and heat sink **918a**. At the center of View FF is a spinning disk **922** having a plurality of secondary passageways **923** formed therein that suck cool air in via a primary passageway **924** of a center shaft **925** in the expander section **907a** via centrifugal force. The spinning disk **922** directs the air toward outer expander gerotor **914a'** during operation of engine system **900a**. View GG (FIG. **80**) shows an expander seal plate **926** containing small holes **927** that line up with small holes **928** in outer expander gerotor **914a'**.

View HH shows outer expander gerotor **914a'** and inner expander gerotor **916a'**. In the illustrated embodiment, both outer expander gerotor **914a'** and inner expander gerotor **916a'** are formed from a ceramic; however, other suitable materials are also contemplated by the present invention. Inner expander gerotor **916a'** couples to center shaft **925** in a discontinuous manner, such as with splines, thereby minimizing heat transfer from inner expander gerotor **916a'** to center shaft **925**. In addition to small holes **928** of outer expander gerotor **914a'**, inner expander gerotor **916a'** also includes small holes **929** through which cool air flows, allowing temperature regulation of inner expander gerotor **916a'** and outer expander gerotor **914a'**. As described above, the cool air is bled from compressor section **911a** via hole **906**. After the cool air flows through the gerotors and heat sink **918a**, it becomes warm. It may be discharged into the ambient air or, if warm enough, it may be used to preheat the compressed air prior to the combustor. Referring to FIG. **77**, the cool air flowing through the hollow center shaft **925** keeps it cool. Also, fins or a heat pipe may keep the lower bearing cool.

The shut-down procedure for engine system **900a** involves reducing the temperature of the combustor while simultaneously flowing cool air through the inner and outer gerotors of expander section **907a**. As the temperature is reduced, the engine efficiency is reduced, so it may be necessary to remove or reduce the load on the engine. Once the inner and outer gerotors of expander section **907a** are sufficiently cool, then the engine stops.

FIGS. **81-86** illustrate a face-breathing engine system **900b** in accordance with another embodiment of the invention. Engine system **900b** includes a compressor section **911b** at the top and an expander section **907b** at the bottom. View A (FIG. **82**) shows a valve plate **903b** that allows for bleed off of a small amount of air at a pressure intermediate between the inlet and outlet air pressures via a hole **906b**. This bleed air may be used to cool components of expander section **907b**, as discussed in more detail below. View B shows the interaction between an inner compressor gerotor **916b** and outer compressor gerotor **914b**. View C shows a seal plate **930** of compressor section **911b**.

View D (FIG. **83**) shows a synchronization system **917b** for engine system **900b**; however, other suitable synchronization systems are contemplated by the present invention. View D also shows a housing **912b** for compressor section **911b**.

Referring to FIG. **84**, View F shows that an outer housing **912b'** of expander section **907b** is suitably perforated allowing for ambient air to enter housing **912b'**, thereby cooling any metal components of expander section **907b'**. One of these metal components is a heat sink **918b** having optional fins **919b** to facilitate cooling. In another embodiment, the

heat sink **918b** may be hollow and contain a suitable phase-change material, such as wax or metal, that is solid while engine system **900b** is operating. When engine system **900b** is shut off, the phase-change material melts and absorbs thermal energy that would transfer from the expander section **907b** to other components, which may be temperature sensitive (e.g., bearings). Alternatively, the hollow section may contain chemicals that participate in a reversible chemical reaction that releases heat at low temperatures and absorbs heat at high temperatures. The need for this hollow section may be eliminated by running engine system **900b** in a cool-down mode prior to shut off. The ceramic components would not be hot enough to damage the sensitive components. Also, liquid water may be sprayed on those components that are temperature sensitive just prior to shut down. View G shows a spring cup **932** formed from suitable metal coupled to an inside of heat sink **918b**. A ceramic end plate **933** of outer expander gerotor **914b'** is disposed within spring cup **932** and includes a plurality of cooling holes **934** formed therein.

Referring now to FIG. **85**, View H shows inner expander gerotor **916b'** and outer expander gerotor **914b'**, both of which are made of a ceramic. The outer segmented metal ring shown is a lower portion of spring cup **932**. It is segmented to accommodate thermal expansion of outer expander gerotor **914b'**. View I shows a valve plate **935** for the expander section **907b**.

FIG. **86** shows a perspective view of spring cup **932**. The tips of longitudinal fingers **936** of spring cup **932** include radial protrusions **937**, which allows spring cup **932** to lock into a groove **938** of outer expander gerotor **914b'**. (See blown-up detail in FIG. **81**.) This arrangement allows for precise positioning of outer expander gerotor **914b'** without a direct metal/ceramic bond. Further, it accommodates different thermal expansion rates of ceramics and metal.

To allow the ceramic to operate at high temperatures, but prevent damage to the metal components, medium pressure gas may be tapped from compressor section **911b** and blown through holes **940** and **941** in inner expander gerotor **916b'** and outer expander gerotor **914b'**, respectively (see FIG. **85**). Also, to prevent the center shaft **942** from getting too hot, compressor gas that leaks from seal plate **930** (View C of FIG. **82**) will flow down the center of the engine cooling the interior of the inner expander gerotor **816b'** and exiting through a port **943** near the bottom. If necessary, the bearings at the bottom mount into a section of the housing that may have fins or some other heat sink mechanism, to maintain a cool temperature.

FIG. **87(a)** shows an inner gerotor **916c** having a plurality of notches **950** that provide extra area for gases to leave through the exhaust port, allowing for more efficient breathing. FIG. **87** shows the notches on a hypocycloid; however, they may be used on the other suitable geometries, such as epicycloids, hypotrochoids, epitrochoids, and conjugates as well. Similar notches may be used on an outer gerotor. In an embodiment for a gerotor set composed of two epicycloids, the notches **950** would appear on the outer gerotor to accomplish the same benefit. Notches **950** add dead volume, which may adversely affect efficiency; any high-pressure gas trapped in a notch is transported to the intake port and non-productively exhausted. The energy it took to compress that gas is wasted. To overcome this efficiency problem, the shape of the intake port may be adjusted. In one embodiment, notches **950** are wedge-shaped and are shallow at the base and deeper at the top.

FIG. **87(b)** shows a conventional valve plate **951**. The intake section **952** of valve plate **951** is adjacent to the seal

section **953**. Any high-pressure gas contained within notches **950** is lost to the intake section **952**. FIG. **87(c)** shows a modified valve plate **951'** that has a smaller intake port **952'**. There is an expansion section **954** between the seal section **953'** and intake section **952'**. Any high-pressure gas trapped in notches **950** expands in expansion section **954**, which applies torque to the gerotors and recovers much of the energy invested in this high-pressure trapped gas.

FIGS. **88-90** illustrate tip-breathing gerotors **960a**, **960b** according to various embodiments of the invention. FIG. **88(a)** shows support rings or strengthening bands **962** that wrap around an outer gerotor **963** that provide support to the wall of outer gerotor **963**. Strengthening bands **962** may be composed of graphite fibers, other high-strength, high-stiffness materials, or other suitable materials. FIG. **88(b)** shows strengthening ligaments **964** that couple between tips of outer gerotor **965**. The outer gerotors **963** and **965** are each divided into multiple portions as shown in FIGS. **88(a)** and **88(b)**. FIG. **89(a)** shows that seals **966a** require notches **967** to accommodate strengthening bands **962**. In contrast, FIG. **89(b)** shows the seals **966b** for ligaments **964** do not require notches. The un-notched seal **966b** is preferred because there is no interference due to axial thermal expansion. However, there is more dead volume with the embodiment shown in FIG. **89(b)**.

FIG. **90(a)** shows a conventional sealing system for a tip-breathing gerotor **970a**. Any high-pressure gas trapped in the tips **971a** is transferred to the intake region **972a** without recapturing the energy invested in this high-pressure gas. FIG. **90(b)** shows an improved sealing system for a tip-breathing gerotor **970b** that has an added expansion section **973b** where the high-pressure gas trapped in the dead volume of the tips **971b** has an opportunity to re-expand and impart torque to the gerotors, thereby recovering much of the energy invested in the trapped high-pressure gas.

FIGS. **91-94** illustrate a face-breathing gerotor apparatus **810m** according to one embodiment of the invention that allows for an upper valve plate **840m** and a lower valve plate **841m** at opposite ends thereof. The extra breathing area allows for a longer compressor (or an expander if high-pressure gas enters through the smaller port.)

Referring to FIG. **92**, View A shows upper valve plate **840m**. View B shows an outer gerotor **814m** disposed within a housing **812m**. Outer gerotor **814m** includes a plurality of slots **870m** that allow gases to pass between upper valve plate **840m** and the voids between inner gerotor **816m** and outer gerotor **814m**. Because these slots **870m** add dead volume, upper valve plate **840m** includes an expansion section **871** to extract work from any high-pressure gases trapped in the dead volume.

Referring to FIG. **93**, View C shows a synchronization system **818m** that allows for direct contact between inner gerotor **816m** and outer gerotor **814m** through a low-friction, low-wear material, such as VESCONITE discussed above. Other suitable synchronization systems may be employed. View D shows the interaction of inner gerotor **816m** and outer gerotor **814m**; there is a small gap so these components do not touch.

Referring to FIG. **94**, View E shows slots **873** in the outer gerotor **814m** that allow gases to pass between lower valve plate **841m** and the voids between the inner gerotor **816m** and outer gerotor **814m**. View F shows lower valve plate **841m**.

FIG. **95** shows a synchronization system **818n** composed of an inner gerotor **816n** and an outer gerotor **814n**. Synchronization system **818n** is designed to accommodate thermal expansion of inner gerotor **816n** and outer gerotor **814n**

from their respective centers. FIG. **95(a)** shows that a gap **880** opens up at the top tip of inner gerotor **816n**. In addition, there is interference at the bottom tip of inner gerotor **816n**. However, at the left tip of inner gerotor **816n**, the expansion of the inner gerotor **816n** and outer gerotor **814n** is nearly the same from their respective centers. The left tip is the preferred contacting tip for the most precise synchronization. Cutting away material from outer gerotor **814n**, as shown by the dotted line **883** in FIG. **95(a)**, prevents interference of the bottom tip. FIG. **95(b)** shows the final shape of outer gerotor **814n** in which a portion **884** of each tip is removed to allow for thermal expansion.

FIG. **96(a)** shows that a phase-shifted set of tips may be added to an outer gerotor **814o** of a synchronization system **818o**, thereby giving additional contacting surfaces which spread the load over a wider surface area. In the illustrated embodiment, the number of tips are doubled; however, the number of tips may be multiplied by any suitable positive integer greater than one. FIG. **96(b)** shows that a phase-shifted set of tips may be added to an inner gerotor **816o**. FIG. **96(c)** shows the mated inner gerotor **816o** and outer gerotor **814o**.

FIG. **97(a)** shows that a plurality of tips **885** of an inner synchronization gerotor **816p** may be comprised of full cylinders. Only a portion of the cylinder actually contacts the outer gerotor **814p**. To reduce windage losses, the cylinder may be cut, as in FIG. **97(b)** to produce a half cylinder **886** or some other portion of a cylinder. The cylinder may be mounted to the outer edge of inner gerotor **816p** as shown in FIG. **97(c)** or to a perimeter of inner gerotor **816p** as shown in FIG. **97(d)**.

FIG. **98(a)** shows even more phase-shifted sets of tips **887**, **888** may be added to both the outer gerotor and inner gerotor, respectively. FIG. **98(b)** shows that when the number of phase-shifted sets of tips increases to a very high number, the hypocycloid portions of the outer gerotor become irrelevant; synchronization may occur strictly through male and female semicircular tips. FIG. **98(b)** shows the male tips **889** on the inner gerotor and the female tips **890** on the outer gerotor. FIG. **99** shows that this may be reversed; the male tips may be on the outer gerotor and the female tips on the inner gerotor.

FIGS. **100-103** illustrate a face-breathing gerotor apparatus **810r** according to another embodiment of the invention. Gerotor apparatus **810r** is substantially similar to gerotor apparatus **810m**; however, gerotor apparatus **810r** includes a synchronization system **818r** at the top, so it may breath only from the bottom face. Although illustrated as a compressor, gerotor apparatus **810r** may also serve as an expander. View A (FIG. **101**) shows that synchronization system **818r** is similar to that illustrated in FIG. **99**; however, other suitable synchronization systems are contemplated by the present invention. View B shows a seal plate **892**.

Referring to FIG. **102**, View C shows the interaction of inner gerotor **816r** and outer gerotor **814r**. View D in FIG. **103** shows the slots **894** in outer gerotor **814r** that allows gas passage between a lower valve plate **841r** and the voids between inner gerotor **816r** and outer gerotor **814r**. View E shows lower valve plate **841r**, which is similar to lower valve plate **841m** in FIG. **94**.

FIG. **104** shows a method for obtaining a power boost in a Brayton cycle engine according to one embodiment of the invention. FIG. **104(a)** shows that liquid water **990a** may be added to a combustor **991a** when a power boost is desired. In combustor **991a**, extra fuel may be added to cause the liquid water to vaporize, thereby making steam. The extra volume of high-pressure gas is then sent to an expander



992a, which generates additional power. If a compressor 993a and expander 992a are not rigidly coupled through a common shaft 994a, the extra power comes in the form of faster rotation of expander 992a. Alternatively, if the two are rigidly coupled through common shaft 994a, then the inlet port of expander 992a may be opened to accommodate the additional volume. In this case, the gas is not fully expanded when it exits expander 992a, thereby reducing efficiency.

FIG. 104(b) shows an alternative embodiment for obtaining the power boost. In the embodiment shown in FIG. 104(b), the liquid water 990b is added to a secondary heat exchanger 995b that has a high thermal capacity. When liquid water is added to heat exchanger 995b, the thermal capacity of heat exchanger 995b provides energy to vaporize the liquid water; therefore, steam enters combustor 991b not liquid water. Eventually, the thermal capacity of heat exchanger 995b will be exhausted, but by then, the fuel rate may be increased to combustor 991b to accommodate the extra load.

Below are control schemes that may be implemented for the Brayton cycle engine:

1. Maintain a constant compression ratio, vary combustor temperature. However, this may not be very efficient. At partial load, heat is not being delivered at the maximum temperature allowed by the materials. For a heat engine to be efficient, it may be necessary for the temperature at which heat is added to be as high as possible.

2. Maintain constant compression ratio and maximum combustor temperature. This engine operates at constant torque. Power output may be varied by adjusting engine speed. Increasing the torque requirement of the load slows the engine and decreasing the torque requirement of the load speeds the engine.

3. Vary compression ratio and combustor temperature. At each compression ratio, there is an optimal combustor temperature that prevents over-expansion or under-expansion of the gas exiting the expander.

4. Maintain constant compression ratio and combustor temperature, and throttle the inlet air to the compressor. Adding a restrictor to the inlet of the compressor restricts air flow, as is done in Otto cycle engines. This may be used to regulate power output; however, it is not very efficient because of irreversibilities associated with the pressure drop across the throttle.

For those control schemes above that vary compression ratio, the discharge port of the compressor and inlet port to the expander may need a mechanism that varies the area. Some such mechanisms were described above or in U.S. patent application Ser. No. 10/359,487. If the device has dead volume, and the compression ratio is varied, both inlet and outlet ports of both the compressor and expander should be varied for optimal performance.

Although embodiments of the invention and their advantages are described in detail, a person skilled in the art could make various alterations, additions, and omissions without departing from the spirit and scope of the present invention.

The invention claimed is:

1. A gerotor apparatus comprising:

a rotatable outer gerotor separated into multiple portions; a rotatable inner gerotor disposed at least partially within the outer gerotor;

multiple strengthening members located along an outer periphery of the outer gerotor, each strengthening member contacting at least two of the portions of the outer gerotor, wherein the strengthening members comprise rings or bands that wrap around the outer gerotor; a housing; and

at least one seal located between the housing and the outer gerotor, each seal comprising a notched surface that contacts the outer gerotor, the notched surface having notches configured to accommodate the rings or bands.

2. The gerotor apparatus of claim 1, wherein each of the rings or bands contacts all of the multiple portions of the outer gerotor.

3. The gerotor apparatus of claim 1, wherein the rings or bands comprise graphite fibers.

4. The gerotor apparatus of claim 1, wherein:

the multiple portions of the outer gerotor comprise tips that are separated from one another; and

the gerotor apparatus further comprises an expansion section in which high-pressure gas trapped in a dead volume of the tips is able to re-expand.

5. A gerotor apparatus comprising:

a rotatable outer gerotor separated into multiple portions; a rotatable inner gerotor disposed at least partially within the outer gerotor; and

multiple strengthening members located along an outer periphery of the outer gerotor, each strengthening member contacting at least two of the portions of the outer gerotor;

wherein the multiple portions of the outer gerotor comprise tips that are separated from one another; and wherein the strengthening members comprise strengthening ligaments, each strengthening ligament connecting the tips of two adjacent portions of the outer gerotor.

6. The gerotor apparatus of claim 5, further comprising: a housing; and

at least one seal located between the housing and the outer gerotor, each seal comprising a surface that contacts the outer gerotor.

7. The gerotor apparatus of claim 5, further comprising: an expansion section in which high-pressure gas trapped in a dead volume of the tips is able to re-expand.

8. A system comprising:

a quasi-isothermal Brayton cycle engine;

wherein the quasi-isothermal Brayton cycle engine comprises a gerotor apparatus; and

wherein the gerotor apparatus comprises:

a rotatable outer gerotor separated into multiple portions;

a rotatable inner gerotor disposed at least partially within the outer gerotor;

multiple strengthening members located along an outer periphery of the outer gerotor, each strengthening member contacting at least two of the portions of the outer gerotor, wherein the strengthening members comprise rings or bands that wrap around the outer gerotor

a housing; and

at least one seal located between the housing and the outer gerotor, each seal comprising a notched surface that contacts the outer gerotor, the notched surface having notches configured to accommodate the rings or bands.

9. The system of claim 8, wherein each of the rings or bands contacts all of the multiple portions of the outer gerotor.

10. The system of claim 8, wherein the rings or bands comprise graphite fibers.

11. The system of claim 8, wherein the quasi-isothermal Brayton cycle engine comprises a gerotor compressor or a gerotor expander.

55

12. The system of claim 8, wherein:  
 the multiple portions of the outer gerotor comprise tips  
 that are separated from one another; and  
 the gerotor apparatus further comprises an expansion  
 section in which high-pressure gas trapped in a dead 5  
 volume of the tips is able to re-expand.
13. A system comprising:  
 a quasi-isothermal Brayton cycle engine;  
 wherein the quasi-isothermal Brayton cycle engine com-  
 prises a gerotor apparatus; 10  
 wherein the gerotor apparatus comprises:  
 a rotatable outer gerotor separated into multiple por-  
 tions;  
 a rotatable inner gerotor disposed at least partially  
 within the outer gerotor; and 15  
 multiple strengthening members located along an outer  
 periphery of the outer gerotor, each strengthening  
 member contacting at least two of the portions of the  
 outer gerotor;  
 wherein the multiple portions of the outer gerotor com-  
 prise tips that are separated from one another; and  
 wherein the strengthening members comprise strengthen-  
 ing ligaments, each strengthening ligament connecting  
 the tips of two adjacent portions of the outer gerotor. 20
14. The system of claim 13, wherein the gerotor apparatus 25  
 further comprises:  
 a housing; and  
 at least one seal located between the housing and the outer  
 gerotor, each seal comprising a surface that contacts the  
 outer gerotor. 30
15. The system of claim 13, wherein the gerotor apparatus  
 further comprises an expansion section in which high-  
 pressure gas trapped in a dead volume of the tips is able to  
 re-expand.
16. A method comprising: 35  
 rotating an outer gerotor, the outer gerotor separated into  
 multiple portions; and  
 rotating an inner gerotor disposed at least partially within  
 the outer gerotor;

56

- wherein multiple strengthening members are located  
 along an outer periphery of the outer gerotor, each  
 strengthening member contacting at least two of the  
 portions of the outer gerotor, wherein the strengthening  
 members comprise rings or bands that wrap around the  
 outer gerotor; and  
 wherein at least one seal is located between a housing and  
 the outer gerotor, each seal comprising a notched  
 surface that contacts the outer gerotor, the notched  
 surface having notches configured to accommodate the  
 rings or bands.
17. The method of claim 16, wherein:  
 the multiple portions of the outer gerotor comprise tips  
 that are separated from one another; and  
 the method further comprises allowing high-pressure gas  
 trapped in a dead volume of the tips to re-expand.
18. A method comprising:  
 rotating an outer gerotor, the outer gerotor separated into  
 multiple portions; and  
 rotating an inner gerotor disposed at least partially within  
 the outer gerotor;  
 wherein multiple strengthening members are located  
 along an outer periphery of the outer gerotor, each  
 strengthening member contacting at least two of the  
 portions of the outer gerotor;  
 wherein the multiple portions of the outer gerotor com-  
 prise tips that are separated from one another; and  
 wherein the strengthening members comprise strengthen-  
 ing ligaments, each strengthening ligament connecting  
 the tips of two adjacent portions of the outer gerotor.
19. The method of claim 18, wherein at least one seal is  
 located between a housing and the outer gerotor, each seal  
 comprising a surface that contacts the outer gerotor.
20. The method of claim 18, wherein the method further  
 comprises allowing high-pressure gas trapped in a dead  
 volume of the tips to re-expand.

\* \* \* \* \*