



US009254037B2

(12) **United States Patent**
Benden

(10) **Patent No.:** **US 9,254,037 B2**
(45) **Date of Patent:** **Feb. 9, 2016**

(54) **VERSATILE STUDENT DESK**

(71) Applicant: **Mark E. Benden**, College Station, TX (US)

(72) Inventor: **Mark E. Benden**, College Station, TX (US)

(73) Assignee: **THE TEXAS A&M UNIVERSITY SYSTEM**, College Station, TX (US)

(*) Notice: Subject to any disclaimer, the term of this patent is extended or adjusted under 35 U.S.C. 154(b) by 0 days.

(21) Appl. No.: **13/934,516**

(22) Filed: **Jul. 3, 2013**

(65) **Prior Publication Data**

US 2014/0008943 A1 Jan. 9, 2014

Related U.S. Application Data

(60) Provisional application No. 61/667,561, filed on Jul. 3, 2012.

(51) **Int. Cl.**
A47B 39/00 (2006.01)
A47B 39/04 (2006.01)
A47B 83/02 (2006.01)
A47C 1/00 (2006.01)
G09F 7/00 (2006.01)
G09F 7/18 (2006.01)

(52) **U.S. Cl.**
CPC *A47B 83/02* (2013.01); *A47B 39/00* (2013.01); *G09F 7/00* (2013.01); *G09F 7/18* (2013.01); *G09F 2007/1843* (2013.01); *G09F 2007/1856* (2013.01)

(58) **Field of Classification Search**

CPC A47B 39/00; A47B 83/02
USPC 297/172, 234, 235, 236, 237, 238, 331,
297/105, 423.11, 423.12; 40/320
See application file for complete search history.

(56) **References Cited**

U.S. PATENT DOCUMENTS

291,931	A *	1/1884	Piutti	297/237
953,483	A *	3/1910	Miller	297/237 X
1,280,874	A *	10/1918	Scott	297/172
1,319,236	A *	10/1919	Moyer	297/172
1,355,681	A *	10/1920	McNulty	297/172
1,367,908	A *	2/1921	Karschitz	297/172 X
1,568,211	A *	1/1926	Conwell	297/172
1,731,375	A *	10/1929	Engers	297/172
1,858,103	A *	5/1932	Menon	297/172 X
1,929,551	A *	10/1933	Hamilton	297/172 X
1,970,874	A *	8/1934	Yawman	297/172
2,023,761	A *	12/1935	Drummey	297/172
2,115,497	A *	4/1938	Mintz	297/172 X
2,140,635	A *	12/1938	Konarski	297/172
2,673,595	A *	3/1954	Kump, Jr.	297/172
2,732,007	A *	1/1956	MacWhriter	297/172
2,894,561	A *	7/1959	MacKintosh	297/172
3,477,673	A *	11/1969	Bereday	297/423.1

(Continued)

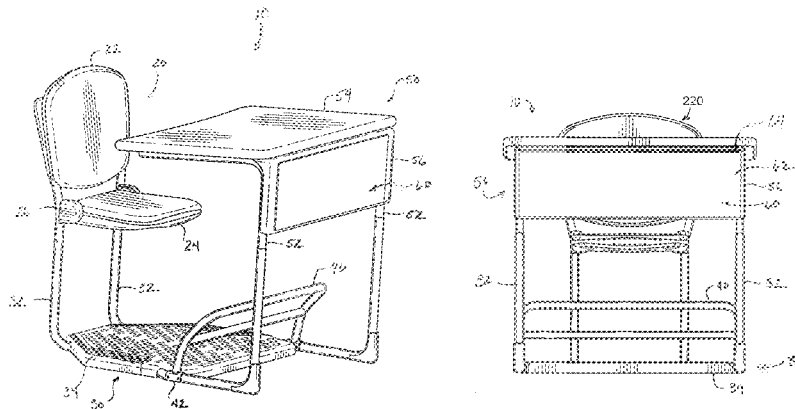
Primary Examiner — Rodney B White

(74) *Attorney, Agent, or Firm* — Blank Rome, LLP

(57) **ABSTRACT**

A seat and desk assembly has a seat integrated with a desk by an interconnecting base and floor. One or both of the seat or desk can be disconnected from the assembly and used independently. Removable panels for the desk can be used to display information and hold replaceable placards for various purposes. The height of the seat and desk can be adjusted on the assembly, and the bottom rest of the seat can be pivoted up against the back to allow a user to stand on the floor as a standing platform with a lumbar support curve positioned for leaning support of the low-back while standing. The depth of the seat can also be adjusted relative to the desk to provide additional room for standing. Additionally, the tabletop of the desk may be able to slide fore-aft relative to the seated user.

17 Claims, 22 Drawing Sheets



(56)

References Cited

U.S. PATENT DOCUMENTS

3,511,533	A *	5/1970	Drabert	297/337	D475,207	S *	6/2003	Bosman et al.	D6/338
3,770,334	A *	11/1973	Weber	312/223.4	6,604,784	B1 *	8/2003	Bosman et al.	297/171
4,046,419	A *	9/1977	Schmitt	297/153	6,824,149	B1 *	11/2004	Whitlock et al.	280/32.6
4,050,491	A *	9/1977	Hargrove	297/188.2	6,899,391	B1 *	5/2005	Schneller et al.	297/252
4,248,476	A *	2/1981	Phelps	297/238 X	7,048,332	B1 *	5/2006	Dilling	297/172
4,382,643	A *	5/1983	Heinrich	312/195	7,059,670	B2 *	6/2006	Mills et al.	297/170 X
4,383,486	A *	5/1983	Reineman et al.	108/2	7,131,225	B2 *	11/2006	Wu	40/320
D283,563	S *	4/1986	Arroyo	D6/338	7,147,284	B2 *	12/2006	Mills et al.	297/271.5
4,736,998	A *	4/1988	Wilson et al.	297/140 X	7,192,084	B1 *	3/2007	Huang	297/172
4,925,240	A *	5/1990	Peters	297/161	7,252,336	B2 *	8/2007	Frisina	297/423.12 X
5,054,852	A *	10/1991	Tholkes	297/423.12	7,293,825	B2 *	11/2007	Vergara et al.	297/423.11 X
5,098,160	A *	3/1992	Moore et al.	297/174 R X	7,350,324	B2 *	4/2008	Wu	40/320
5,149,174	A *	9/1992	Charash	297/423.12	D597,266	S *	7/2009	Simpson et al.	D30/199
5,186,519	A *	2/1993	Larson	297/423.12	7,571,959	B2 *	8/2009	Griepentrog	297/172
5,199,763	A *	4/1993	Wilder et al.	297/338	7,614,639	B2 *	11/2009	Tholkes et al.	297/423.11 X
5,255,957	A *	10/1993	Opsvik et al.	297/423.12	7,681,346	B2 *	3/2010	Bruce	40/320 X
5,295,728	A *	3/1994	Schaevitz	297/423.12 X	7,954,892	B2 *	6/2011	Knighton	297/172 X
5,299,861	A *	4/1994	Foliot et al.	312/194	D649,368	S	11/2011	Benden	
5,452,950	A *	9/1995	Crenshaw et al.	297/170 X	D649,369	S	11/2011	Benden	
5,542,746	A *	8/1996	Bujaryn	297/423.12	8,220,872	B2 *	7/2012	Hong	297/312
5,630,648	A *	5/1997	Allard et al.	297/327	8,317,267	B2 *	11/2012	Wallace	297/423.11 X
5,667,278	A *	9/1997	Li	297/423.12 X	8,757,727	B2 *	6/2014	Leclair	297/172 X
5,685,602	A *	11/1997	Williams	297/174 R	8,801,638	B2 *	8/2014	Gierse	297/423.11 X
5,697,668	A *	12/1997	Chao	297/172	2002/0149168	A1 *	10/2002	Brown	280/250.1
5,765,910	A *	6/1998	Larkin et al.	297/172	2002/0167205	A1 *	11/2002	Tholkes et al.	297/172
5,876,093	A *	3/1999	Williams	297/174 R	2003/0151288	A1 *	8/2003	Deisig	297/313
5,884,935	A *	3/1999	Tholkes	280/657	2004/0251720	A1 *	12/2004	Micheletti	297/228.1
6,010,186	A *	1/2000	Tsay	297/174 R X	2006/0097557	A1 *	5/2006	Tholkes et al.	297/330
6,039,392	A *	3/2000	Dencker	297/172	2007/0182222	A1 *	8/2007	Griepentrog	297/172
6,109,686	A *	8/2000	Fox	297/105	2009/0140567	A1 *	6/2009	Weiss	297/423.12
6,186,589	B1 *	2/2001	Burkamp	297/142	2009/0178596	A1 *	7/2009	Skiba	108/102
6,439,657	B1 *	8/2002	Tholkes	297/172	2009/0186747	A1 *	7/2009	Lokken et al.	482/51
6,516,731	B1 *	2/2003	Park	108/153.1	2010/0007180	A1 *	1/2010	Ovre et al.	297/68
					2010/0066148	A1 *	3/2010	Matthews	297/423.12
					2012/0000102	A1 *	1/2012	Bruce	40/320
					2012/0274117	A1 *	11/2012	Preisler	297/452.1

* cited by examiner

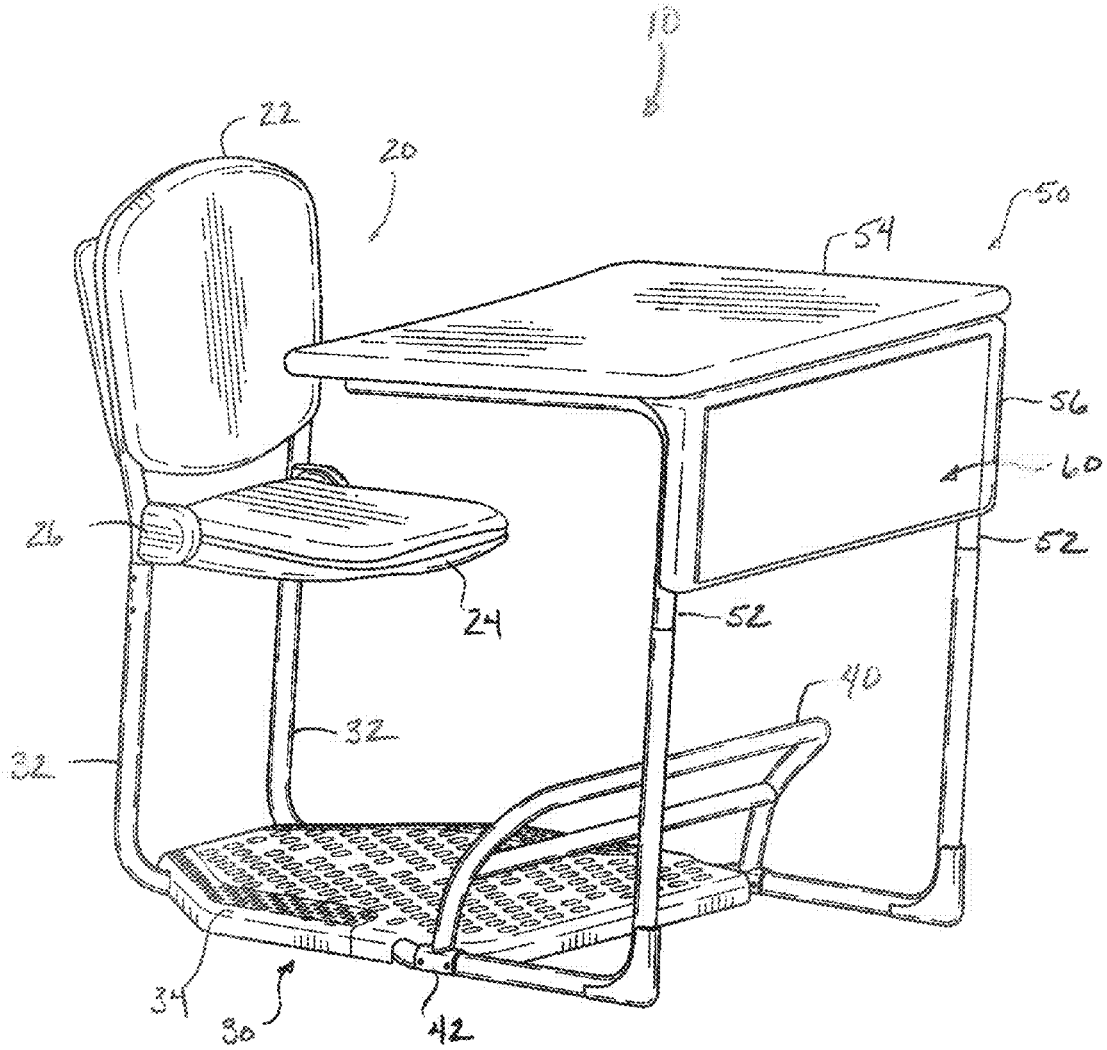


FIG. 1A

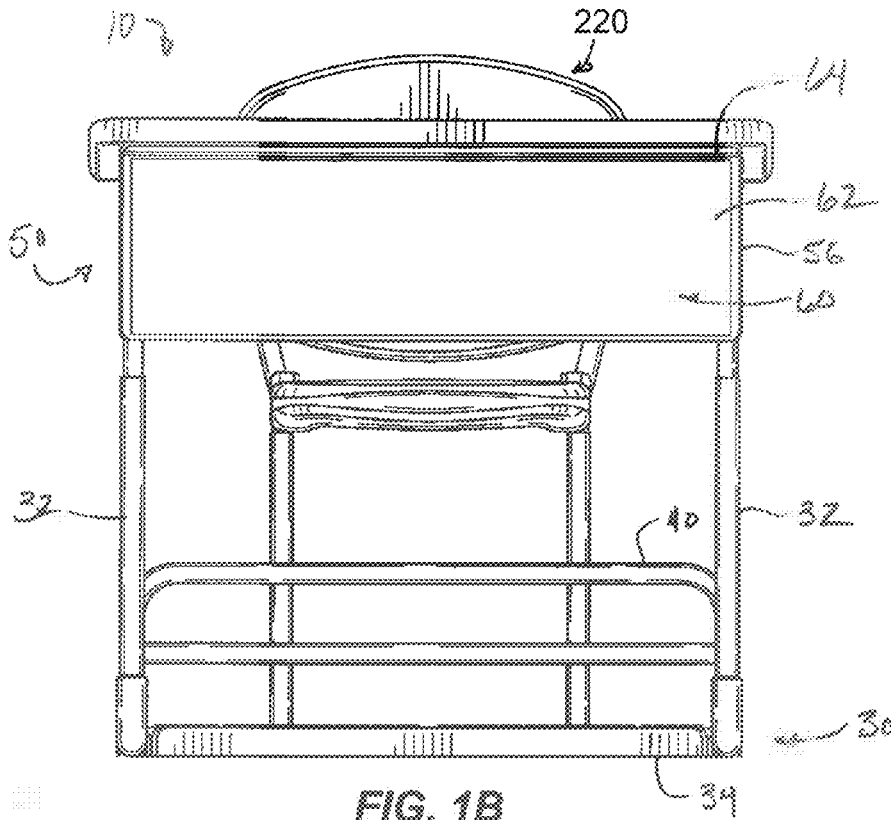


FIG. 1B

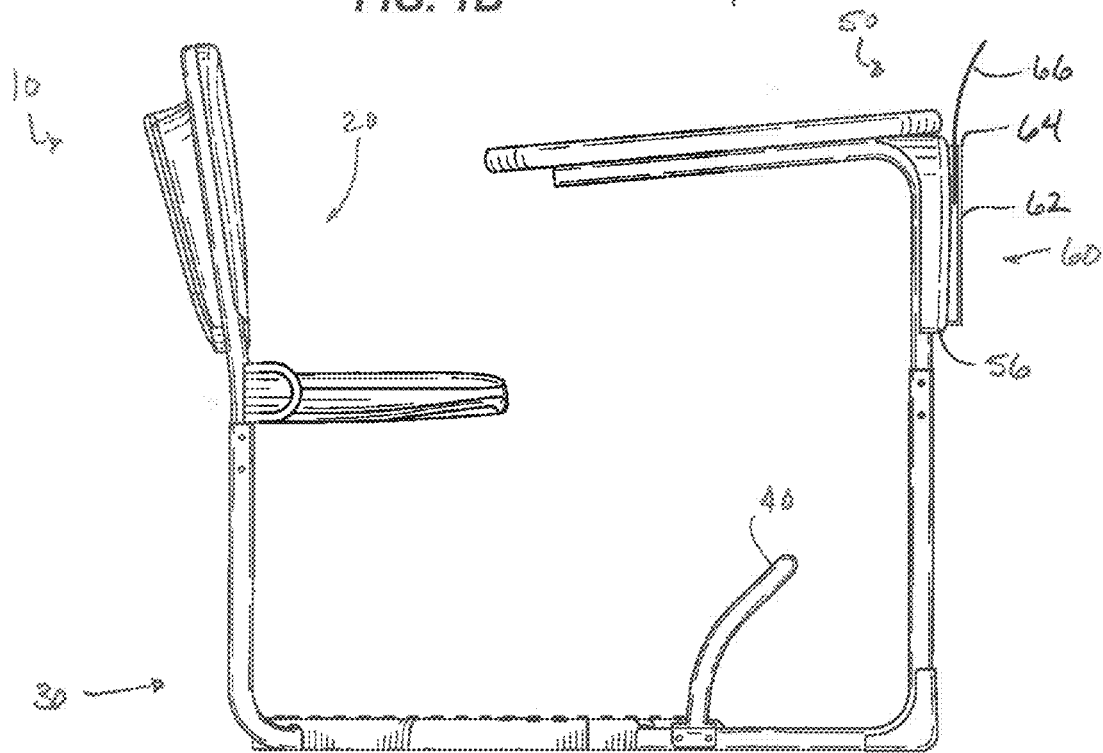


FIG. 1C

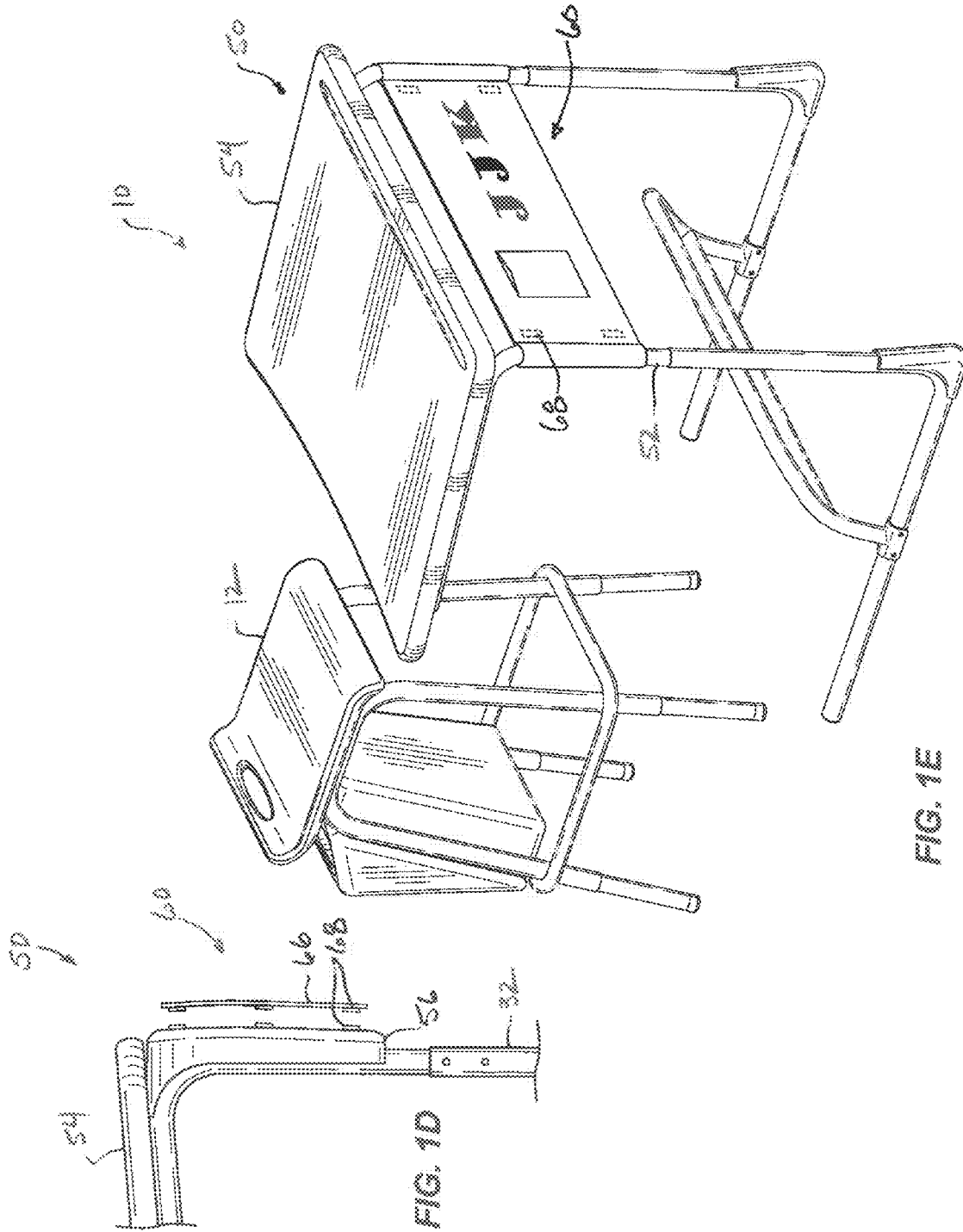


FIG. 1D

FIG. 1E

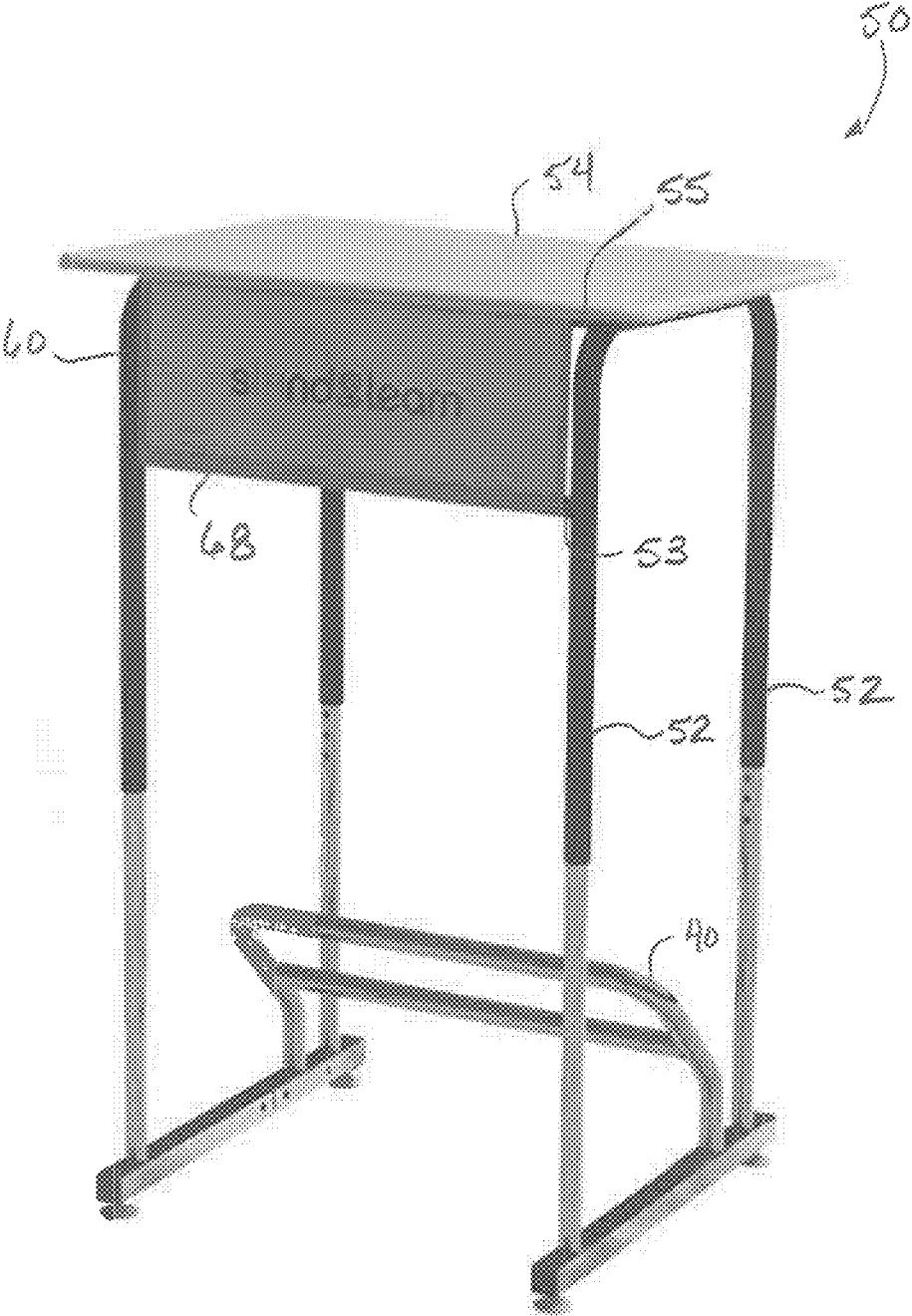
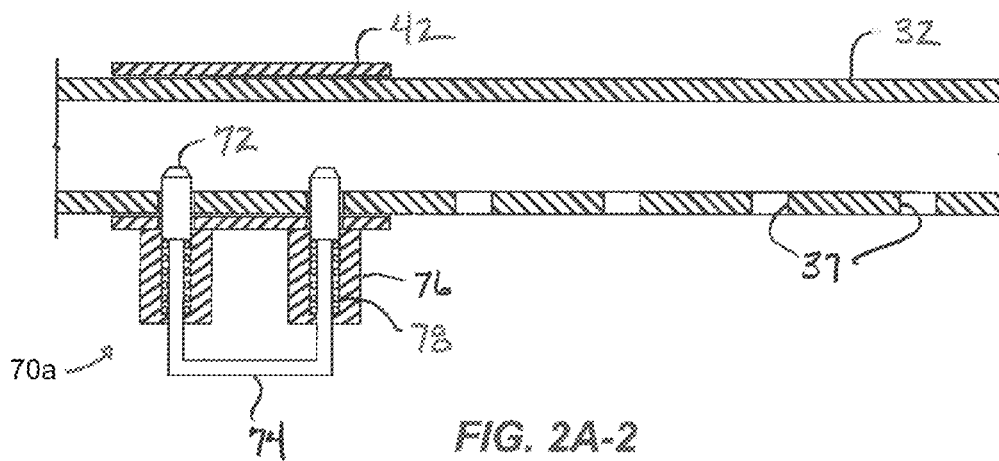
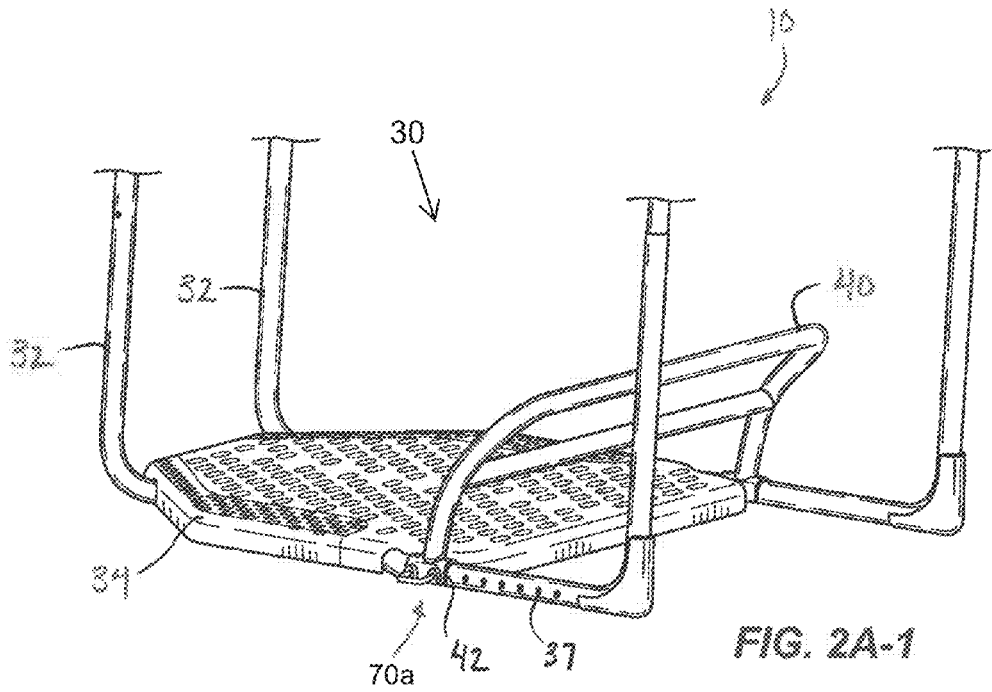
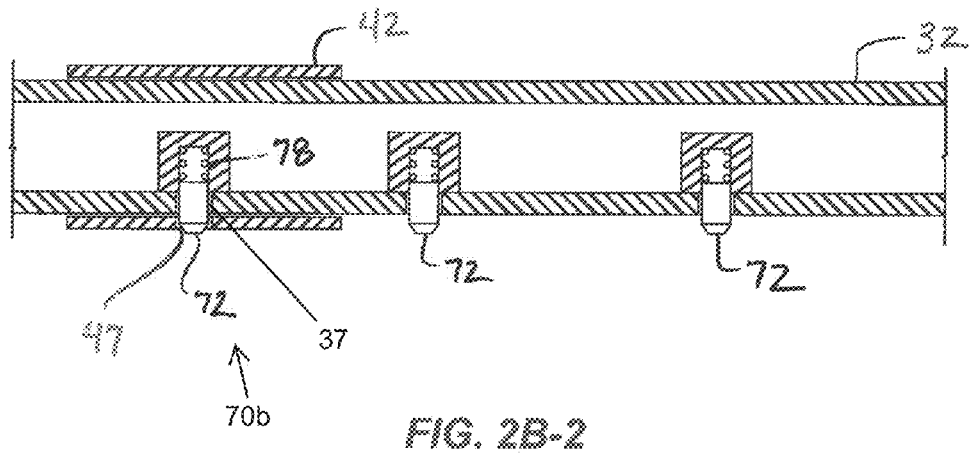
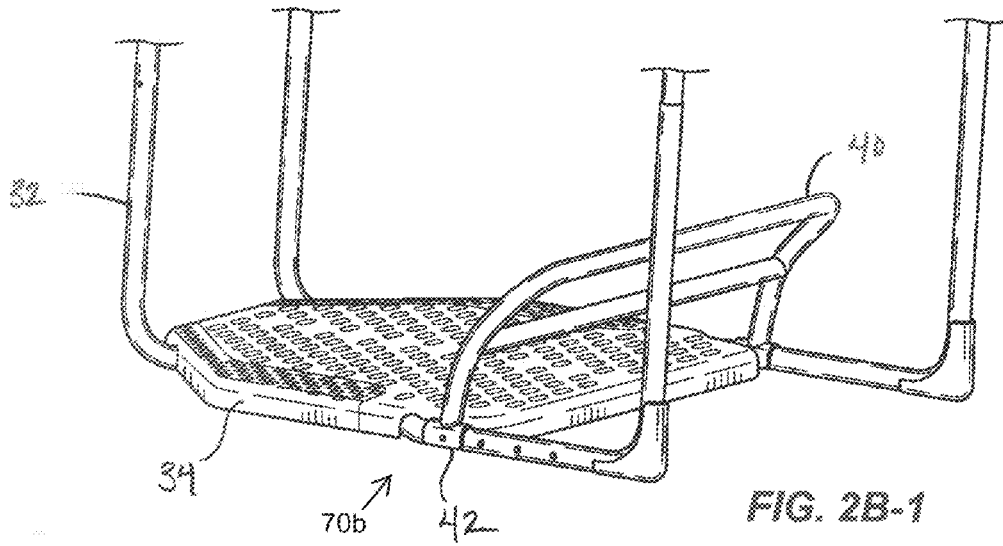


FIG. 1F





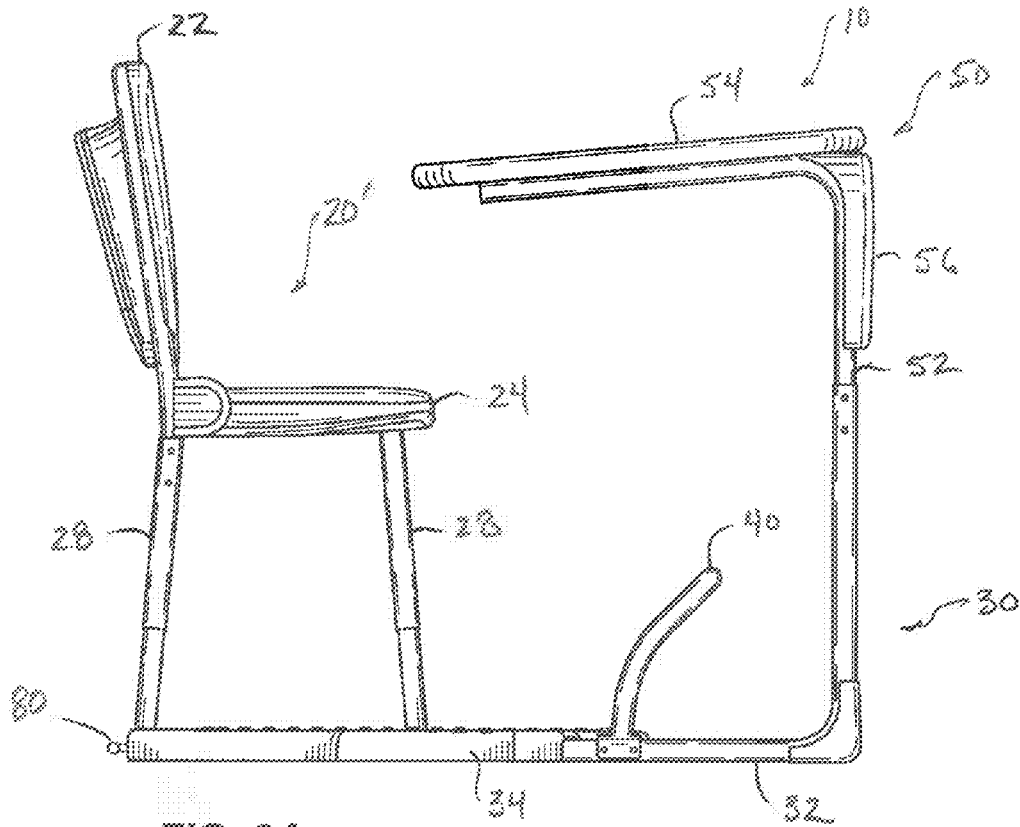


FIG. 3A

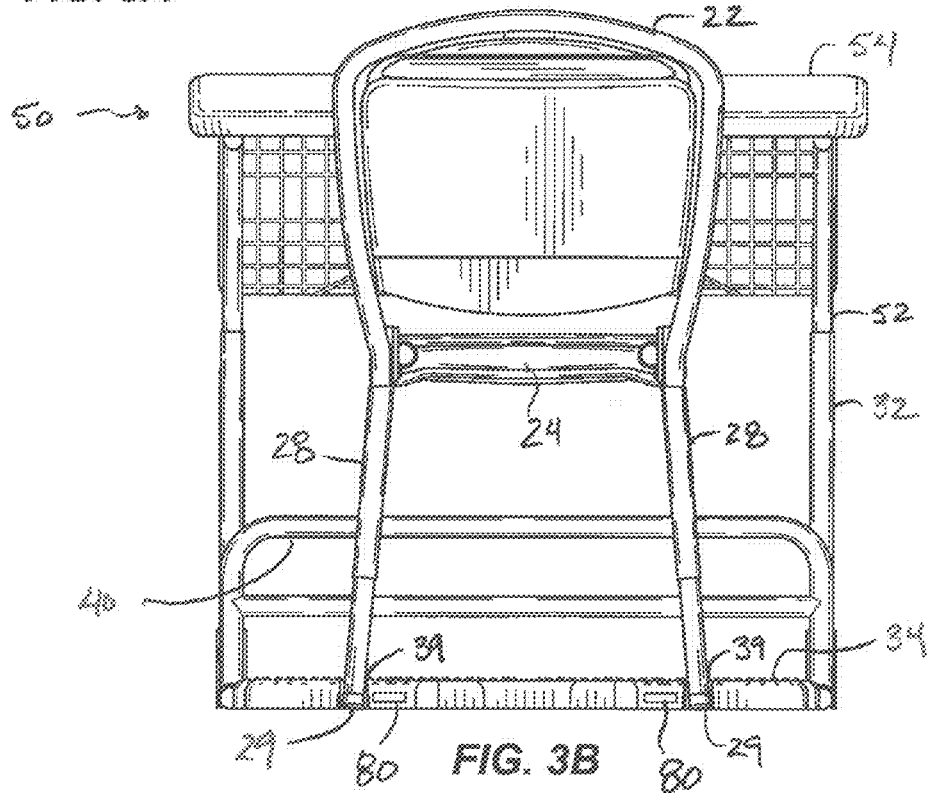


FIG. 3B

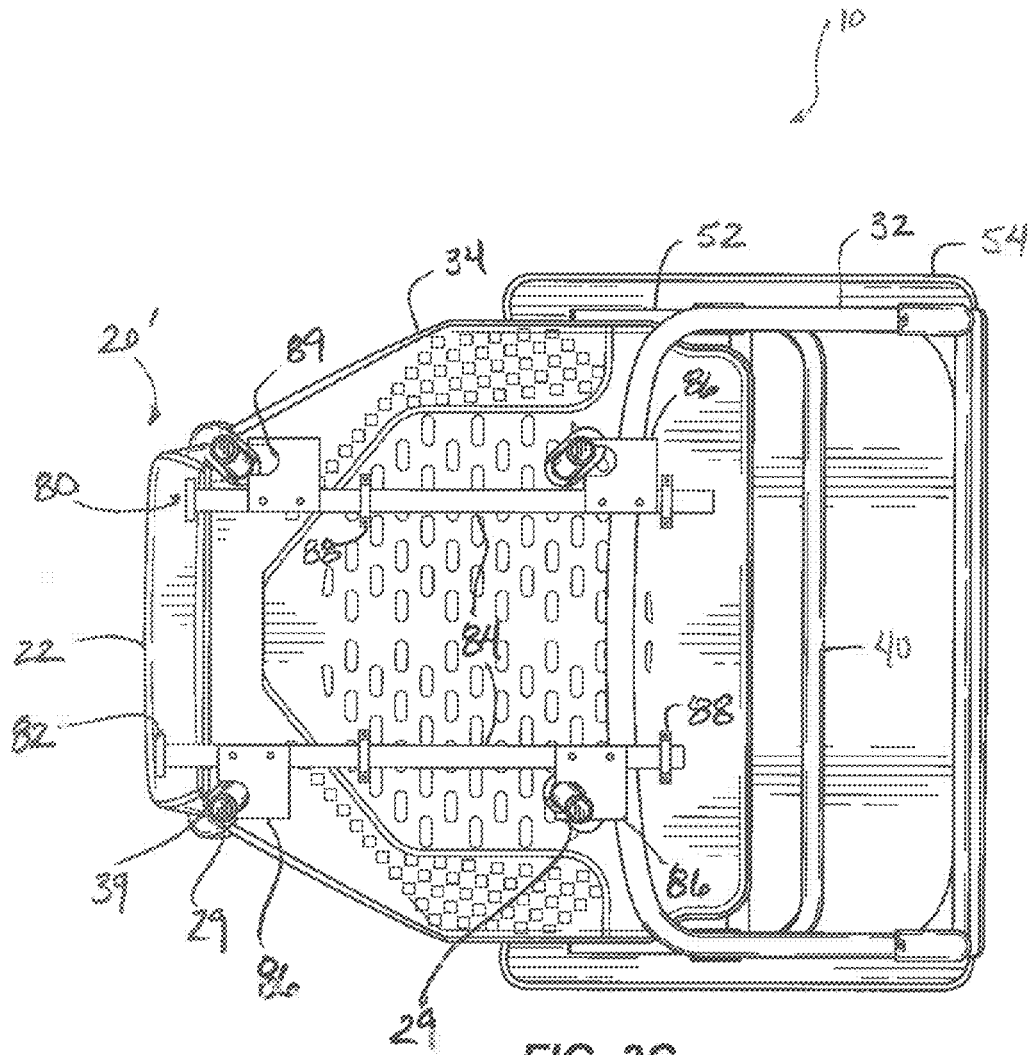


FIG. 3C

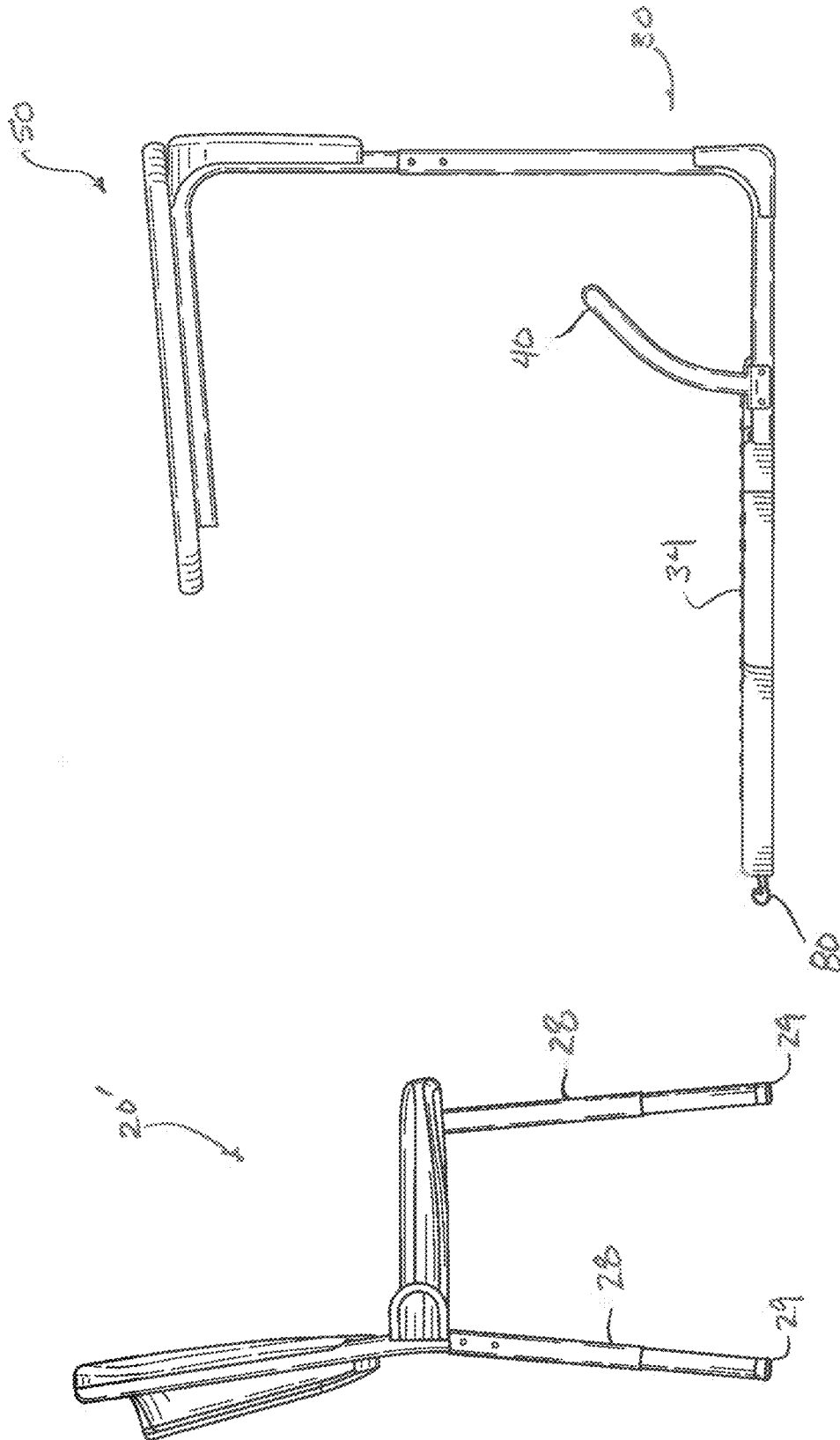


FIG. 3D

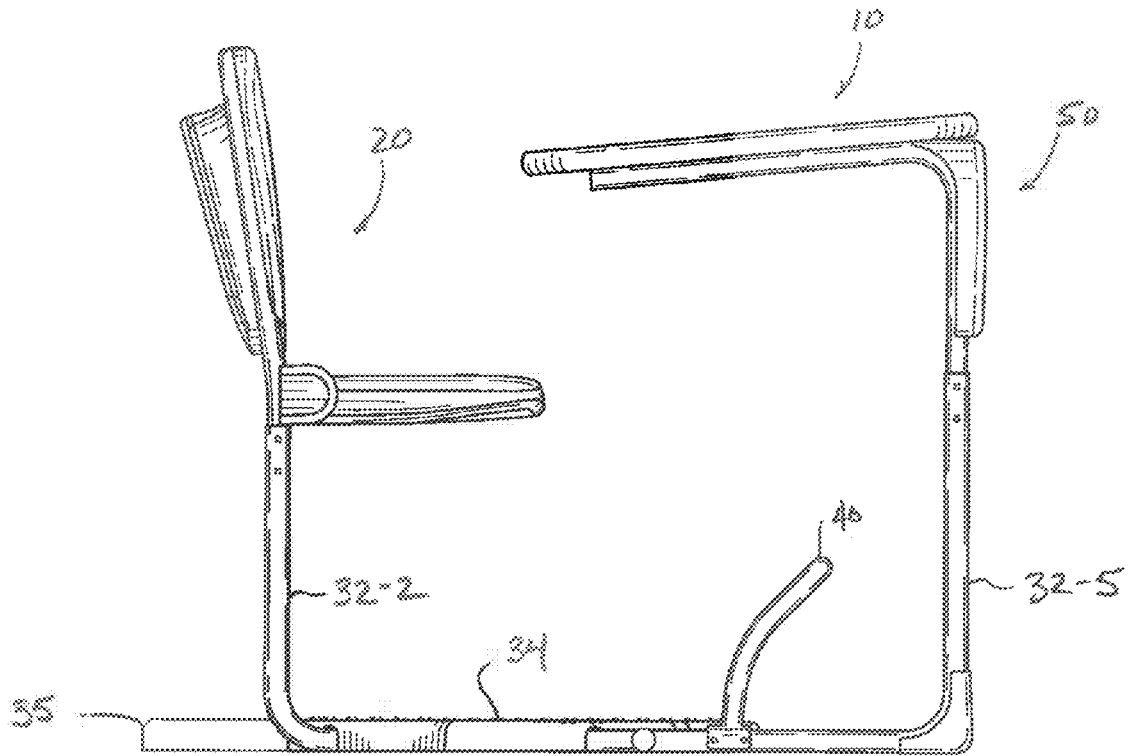


FIG. 4A

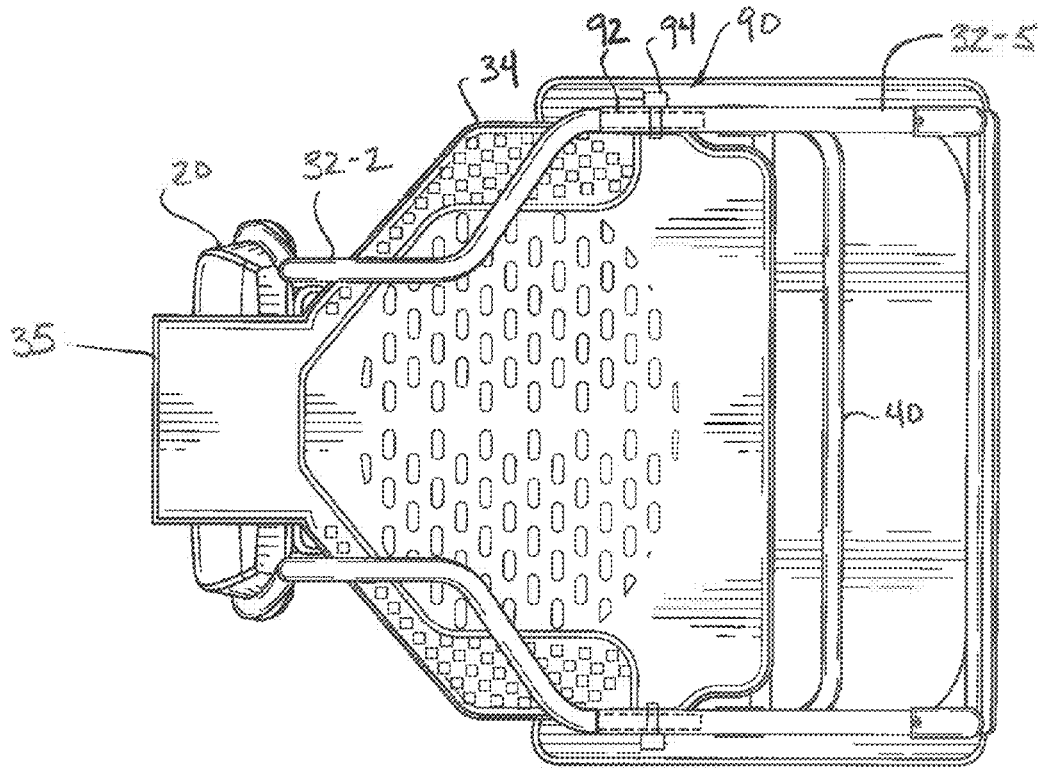


FIG. 4B

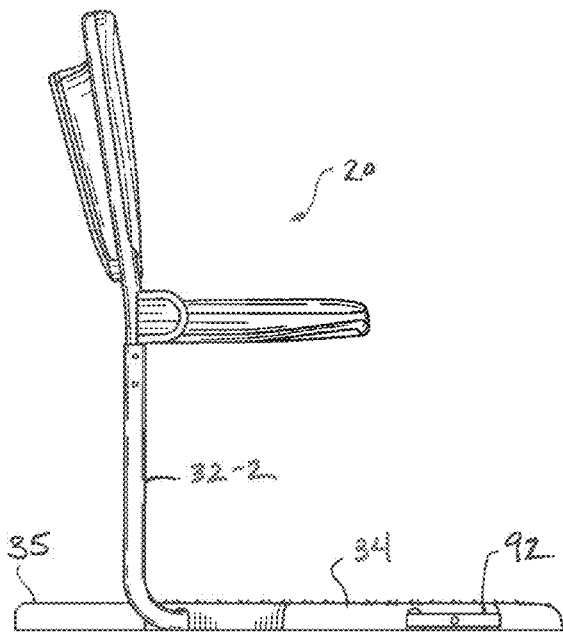


FIG. 5A

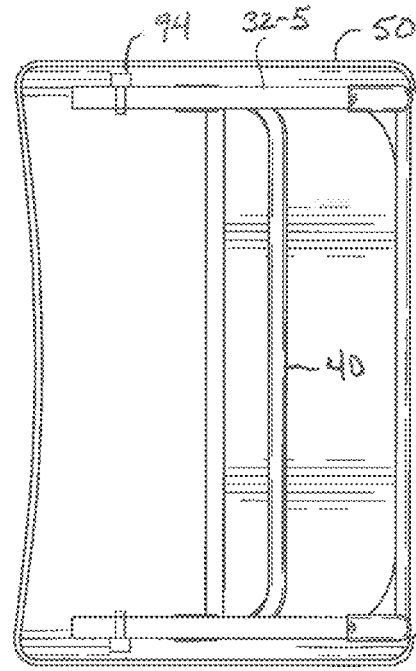
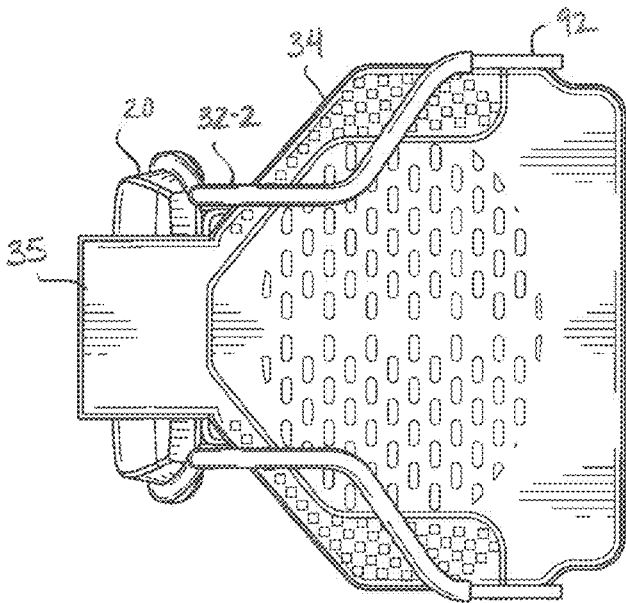
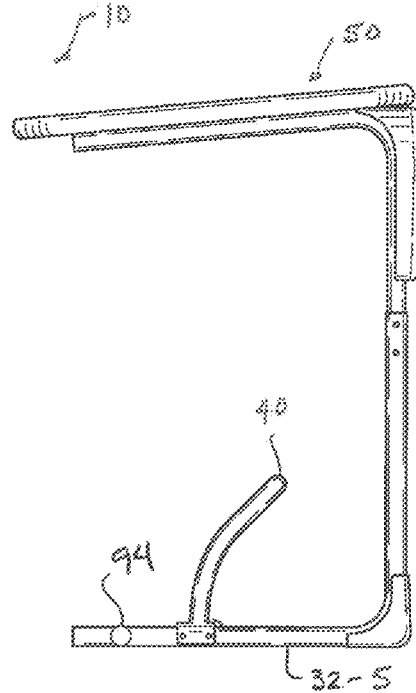


FIG. 5B

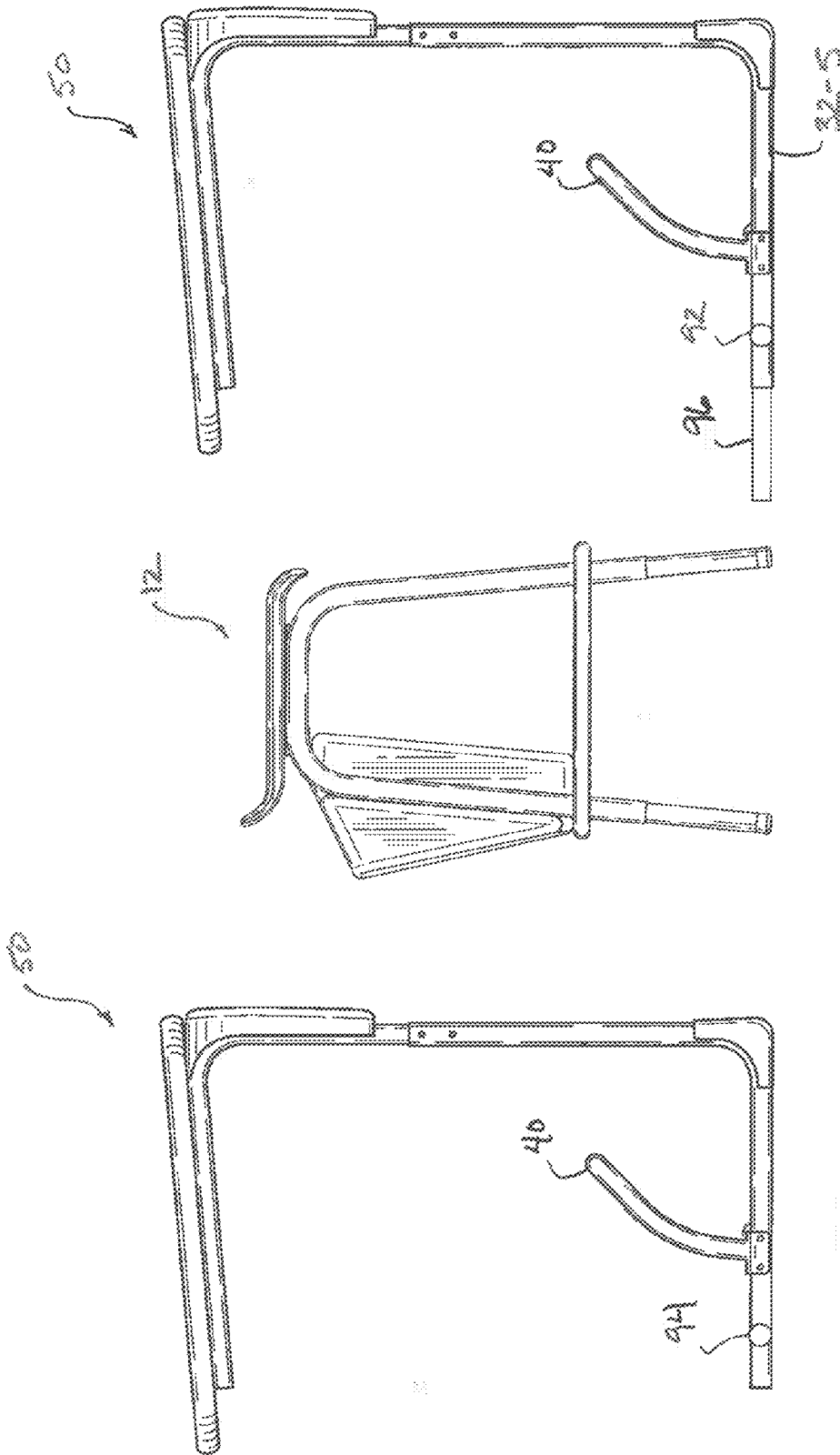


FIG. 6B

FIG. 6A

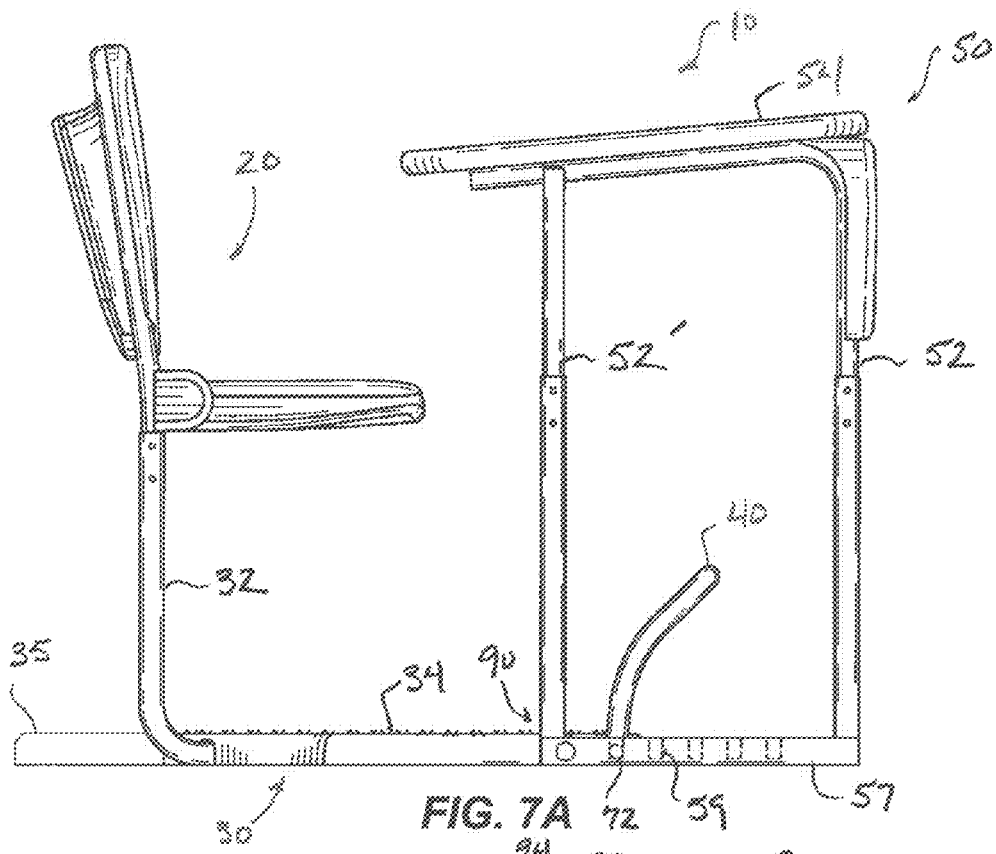


FIG. 7A

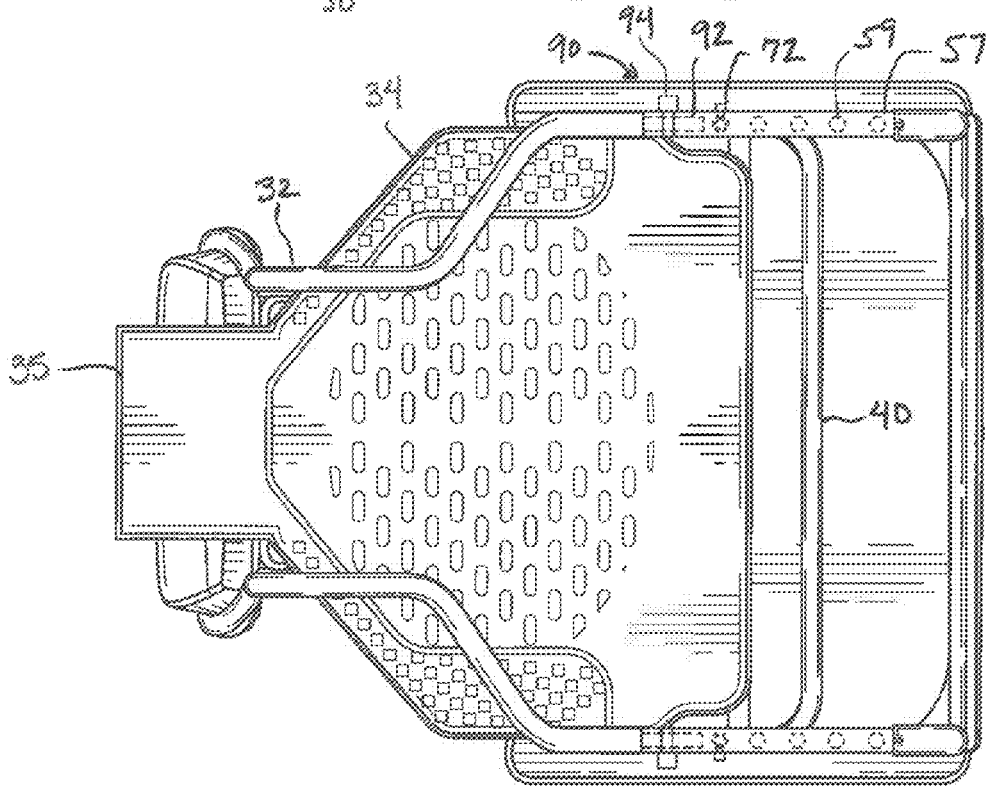
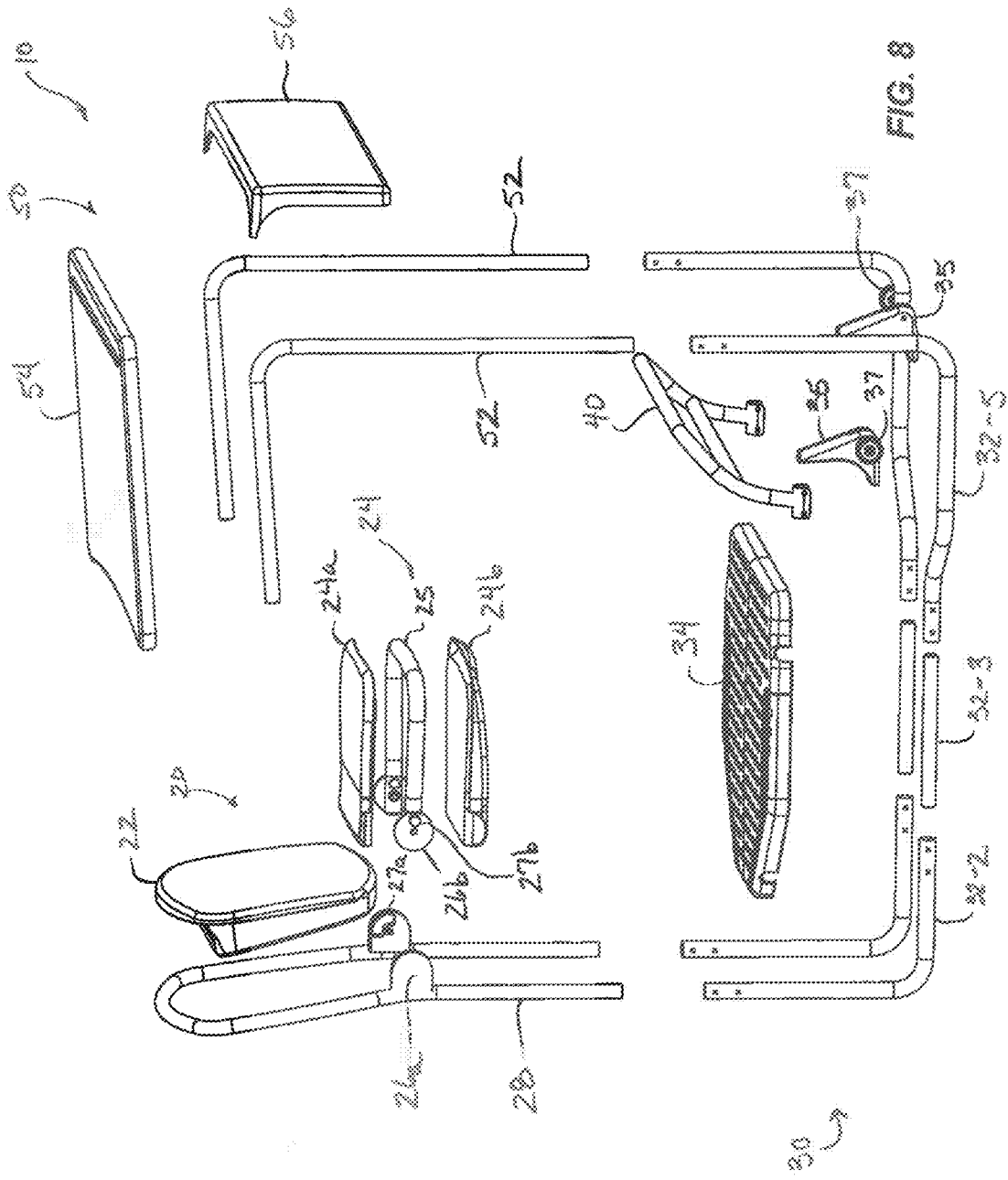


FIG. 7B



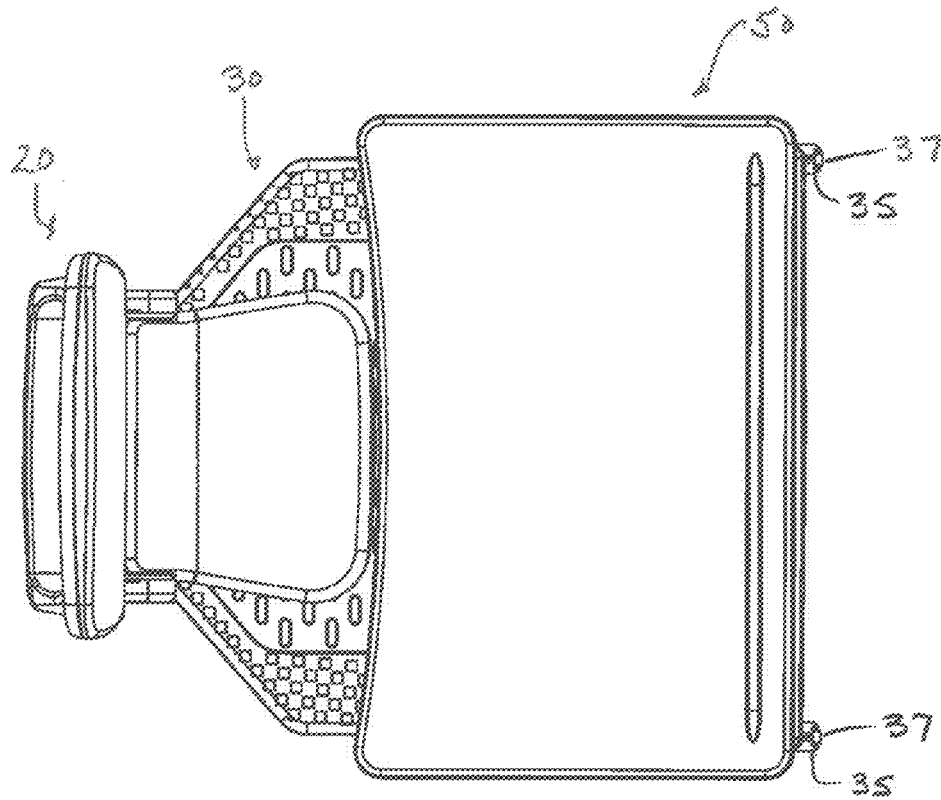


FIG. 9A

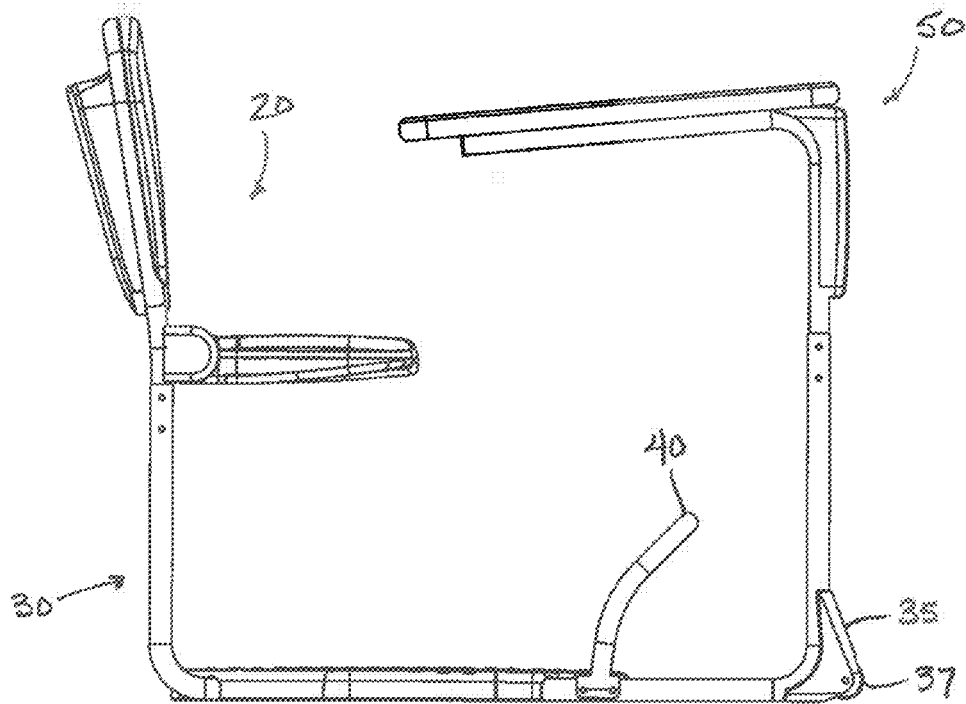


FIG. 9B

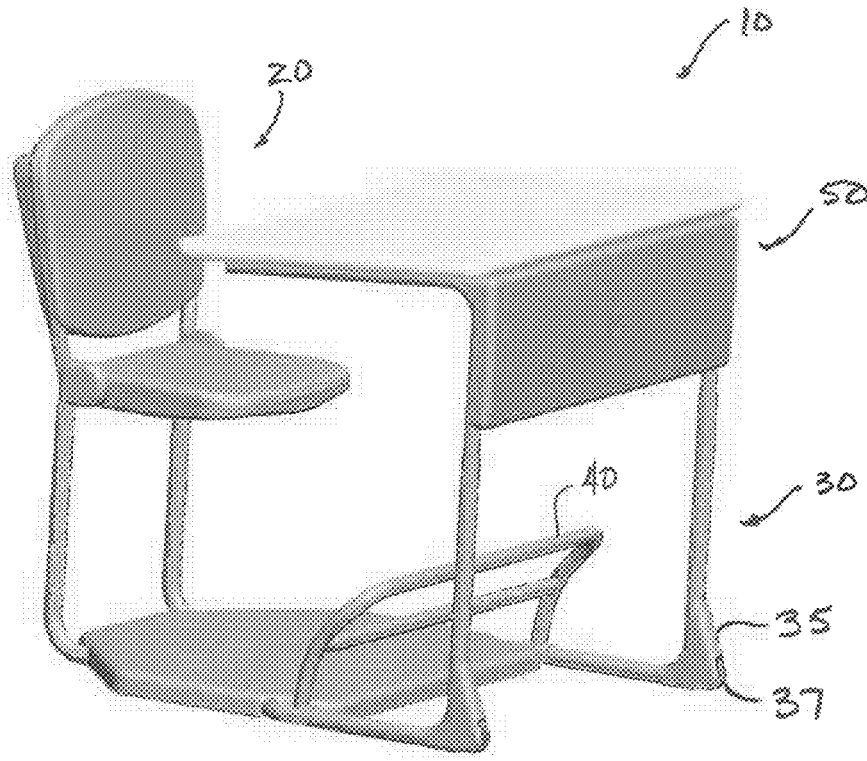


FIG. 9C

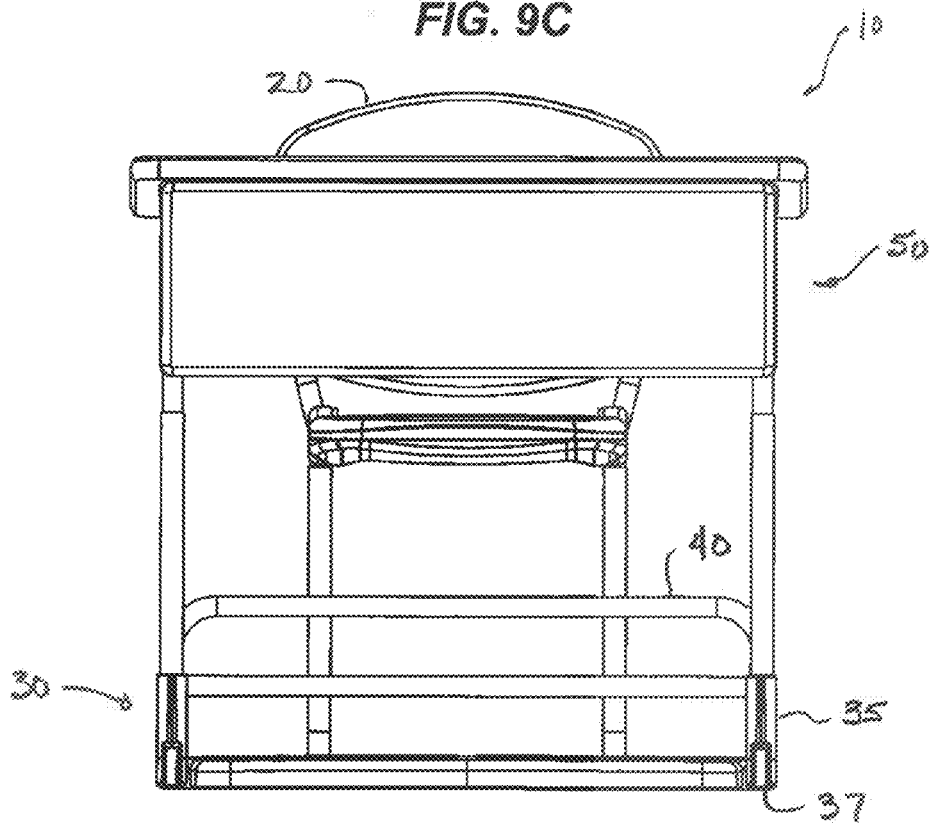


FIG. 9D

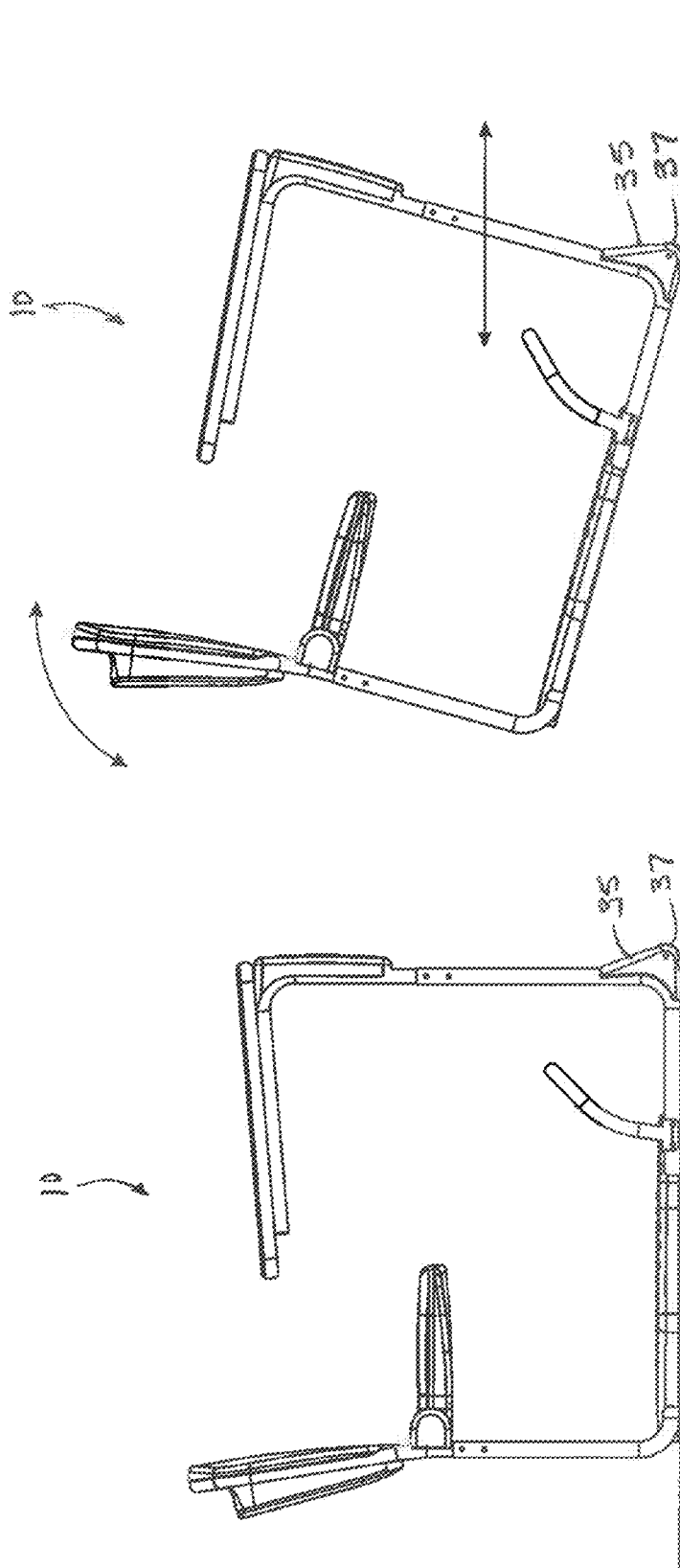


FIG. 10

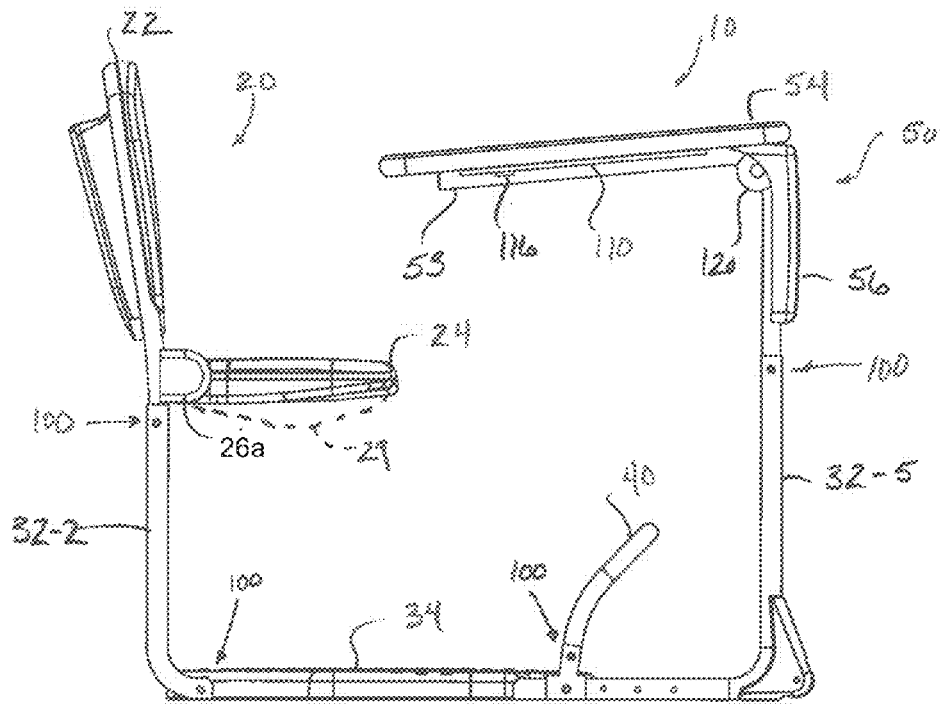


FIG. 11A

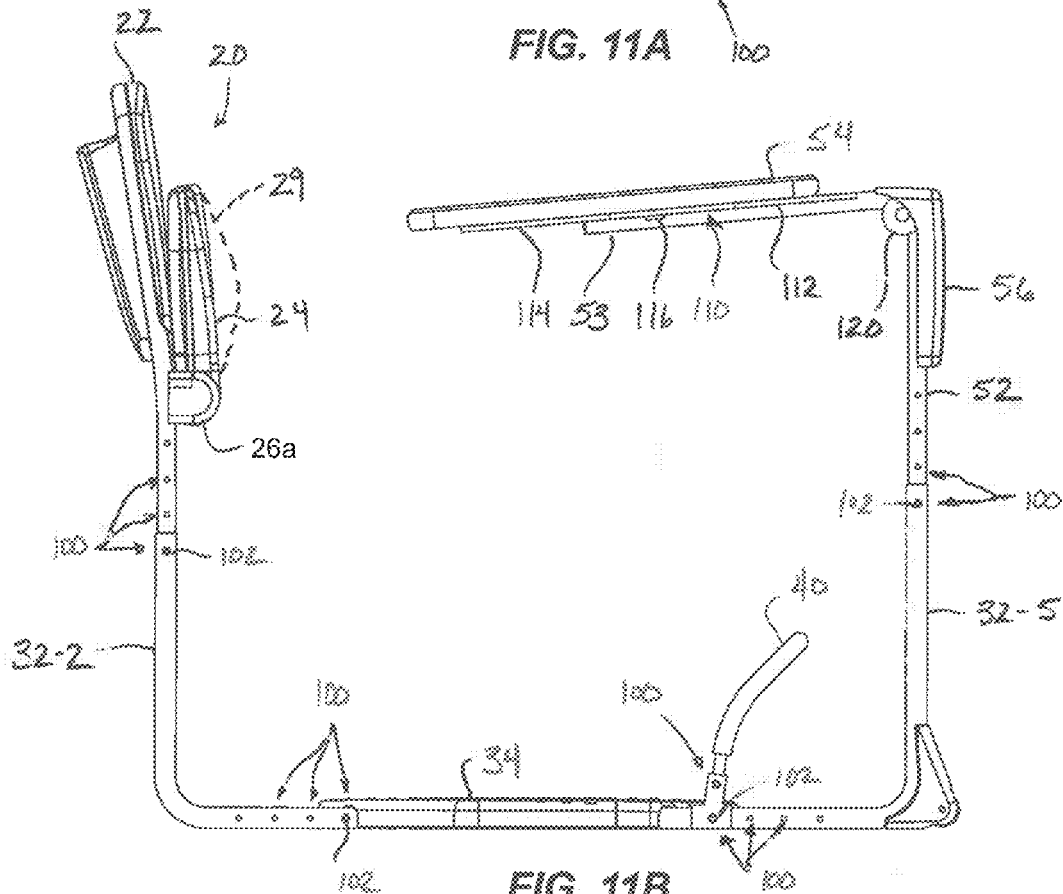


FIG. 11B

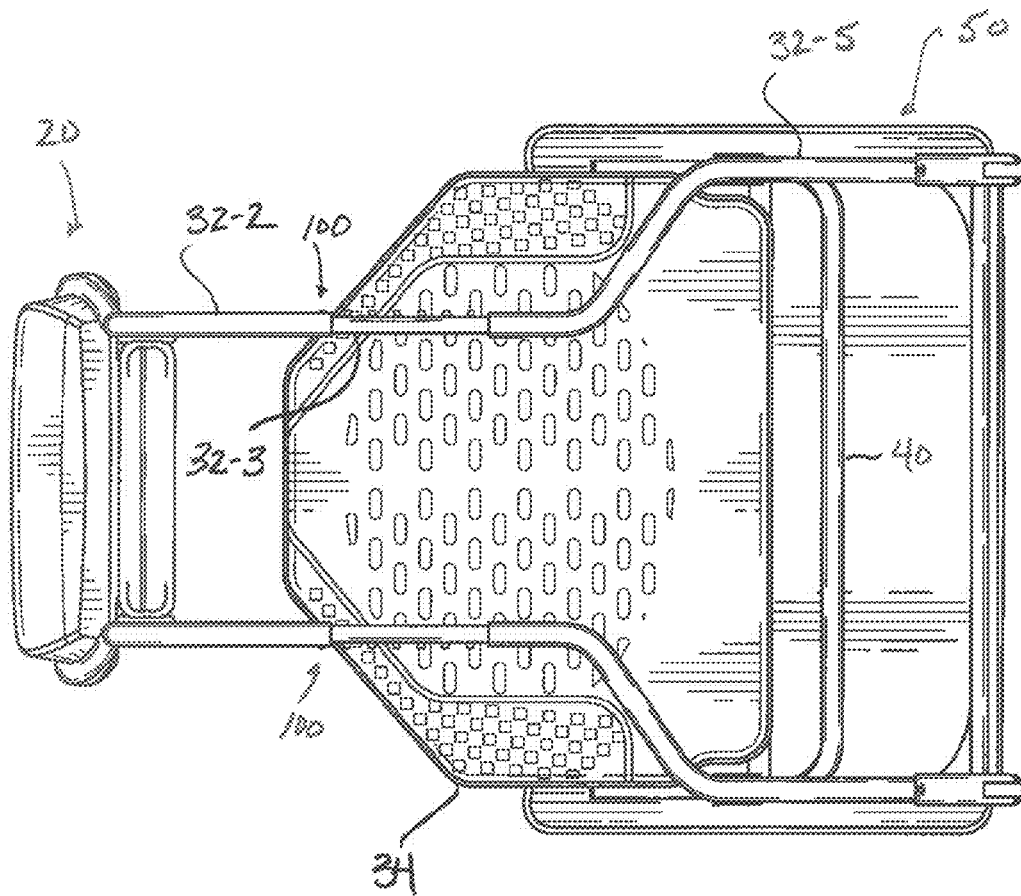


FIG. 11C

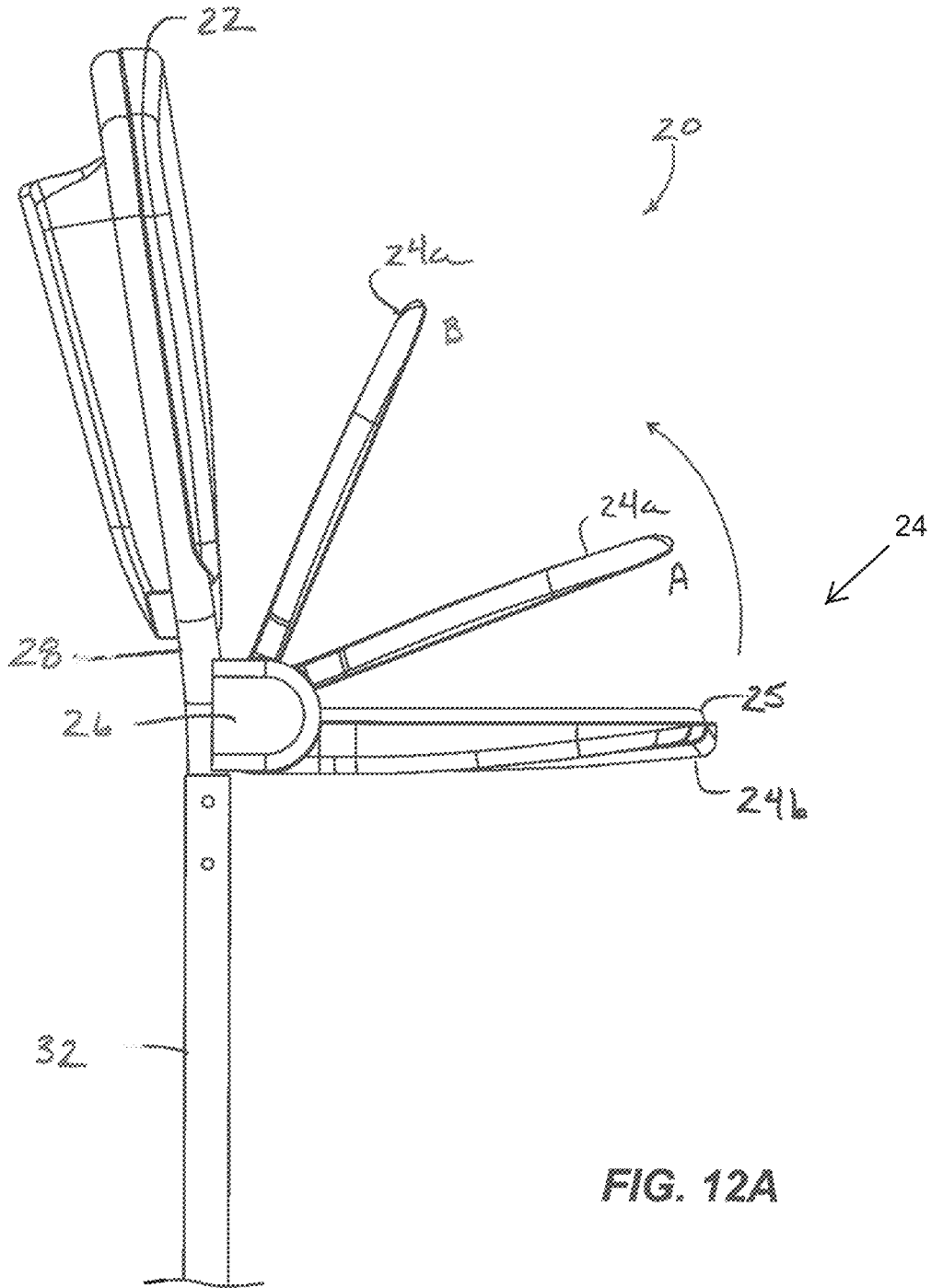


FIG. 12A

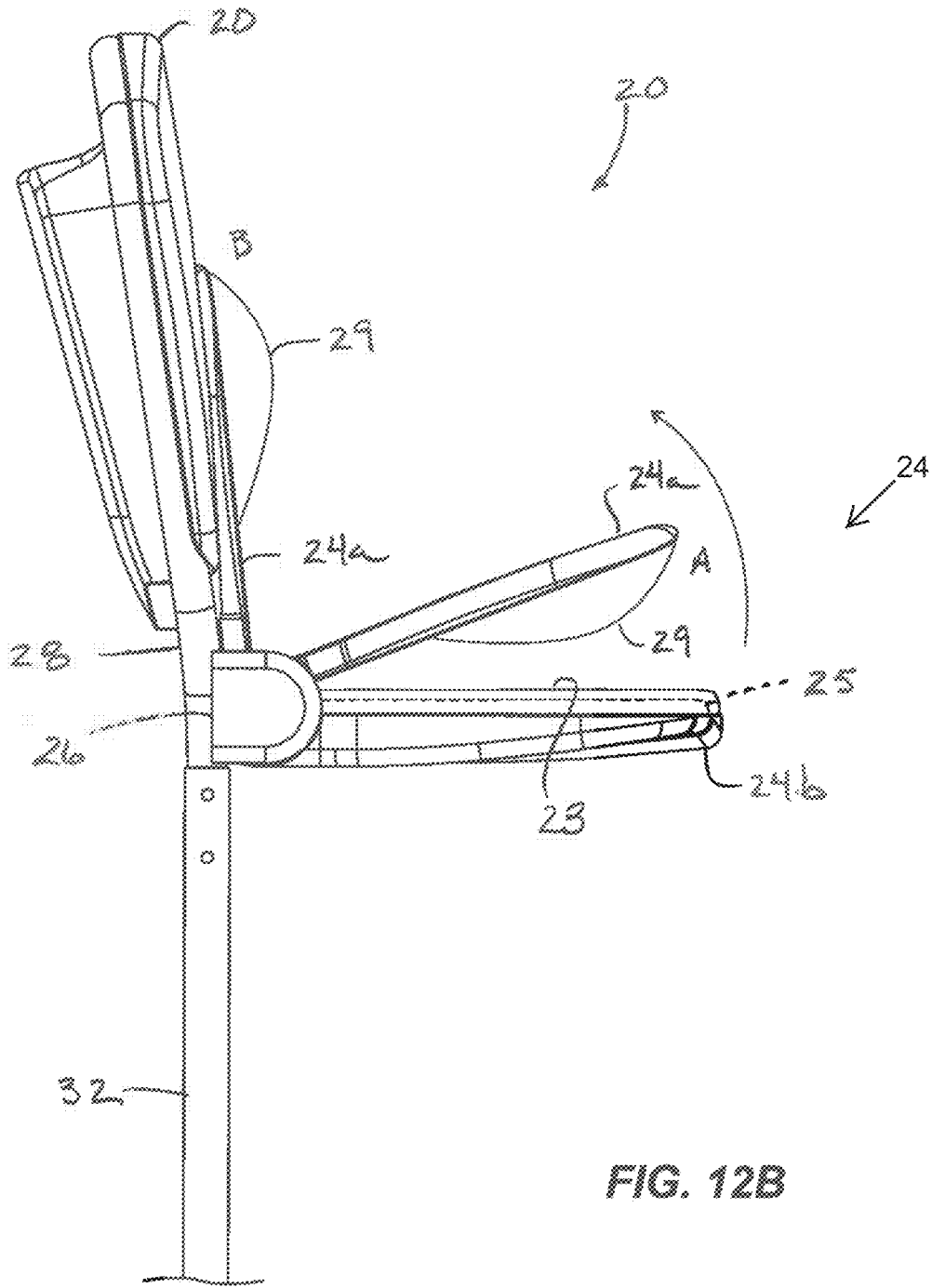


FIG. 12B

1

VERSATILE STUDENT DESK

CROSS-REFERENCE TO RELATED
APPLICATION

This application claims the benefit of U.S. Provisional Appl. 61/667,561, filed 3 Jul. 2012, which is incorporated herein by reference in its entirety.

BACKGROUND OF THE DISCLOSURE

Overall goals for an educational setting include increasing students' attention, improving their overall learning, and enhancing their physical activity. To meet these goals, it can be desirable to have student desks that are aesthetically pleasing, such as the ornamental designs disclosed in my U.S. Design Pats. D649,368 entitled "Student Desk with Seat" and D649,369 entitled "Student Desk with Stool," which are both incorporated herein by reference in their entireties.

As any teacher can appreciate, however, students can be very active in the classroom, and it is equally desirable to have desks and seats that can suit students' active needs. To that end, ergonomics, adjustability, versatility, and other functional and structural features can be important in meeting educational goals and in making student desks more useful in an educational setting.

BRIEF DESCRIPTION OF THE DRAWINGS

FIGS. 1A-1C illustrate perspective, front, and side views of an integrated desk assembly of seat, base, and desk having an information panel according to one embodiment of the present disclosure.

FIG. 1D is an alternative embodiment of an information panel for the disclosed desk assembly.

FIG. 1E illustrates a perspective view of a desk assembly having a stool and having a desk with an information panel according to the present disclosure.

FIG. 1F illustrates another desk assembly having an alternative information panel according to the present disclosure.

FIG. 2A-1 illustrates a portion of a base of the disclosed desk assembly having an adjustable footrest.

FIG. 2A-2 illustrates a sectional view of one embodiment of a pin and slot mechanism for the adjustable footrest in FIG. 2A-1.

FIG. 2B-1 illustrates a portion of the base of the disclosed desk assembly having another adjustable footrest.

FIG. 2B-2 illustrates a sectional view of one embodiment of a pin and slot mechanism for the adjustable footrest in FIG. 2B-1.

FIG. 2C illustrates a portion of the base of the disclosed assembly having yet another adjustable footrest.

FIGS. 3A-3C illustrate side, back, and bottom views of an embodiment of a desk assembly having a seat removable from an integrated base and desk.

FIG. 3D illustrates the seat removed from the integrated base and desk of the desk assembly in FIGS. 3A-3C.

FIGS. 4A-4B illustrate side and bottom views of another embodiment of a desk assembly having a seat removable from an integrated base and desk.

FIGS. 5A-5B illustrate side and bottom views of the seat removed from the integrated base and the desk in FIGS. 4A-4B.

FIGS. 6A-6B illustrate the desk of FIGS. 5A-5B used alone and used with a stool.

2

FIGS. 7A-7B illustrate side and bottom views of a desk assembly with a desk removable from an integrated base and seat of the assembly.

FIG. 8 illustrates an exploded view of an embodiment of a movable desk assembly having an integrated seat, base, and desk.

FIGS. 9A-9D illustrate top, side, perspective, and front views of the movable desk assembly of FIG. 8.

FIG. 10 shows the movable desk assembly of FIG. 8 when stationary and when being moved.

FIGS. 11A-11C illustrate side and bottom views of an embodiment of an integrated desk assembly having adjustable seat and desk components.

FIG. 12A illustrates a seat for the disclosed assembly in stages of use.

FIG. 12B illustrates a seat for the disclosed assembly in stages of use and having a lumbar support.

DETAILED DESCRIPTION OF THE
DISCLOSURE

A versatile student desk assembly has a seat integrated with a desk by an interconnecting base. One or both of the seat and desk can be disconnected from the assembly and used independently. Removable panels for the desk can be used to display information and hold replaceable placards for various purposes. The height of the seat and the desk can be adjusted on the assembly, and the bottom rest of the seat can be pivoted up against the seat back to allow a user to stand on the floor as a standing platform. The depth of the seat can be adjusted relative to the desk to provide additional room for standing, and the depth of a footrest can be adjusted relative to the seat to provide additional leg room.

A. Information Panels

FIGS. 1A-1C illustrate perspective, front, and side views of an integrated desk assembly 10 according to one embodiment of the present disclosure. The assembly 10 has a seat 20 integrated by a base 30 to a desk 50 so that the assembly 10 operates as a single unit for use by students or the like.

The seat 20 has a back rest 22 connected to frame members 32 of the base 30. A bottom rest 24 of the seat 20 connects to the back rest 22 with attachment mechanisms 26, which as described below can be hinges used to pivot the bottom rest 24 up against the back rest 22.

The base 30 has a platform or floor 34 disposed on top of the frame members 32, and a footrest 40 connects via open joints 42 to the frame members 32 toward the front end of the floor 34. Finally, the desk 50 has supports 52 connected to the base's frame members 32. A tabletop 54 and privacy screen 56 affix to the supports 52 to complete the desk 50.

As shown, the assembly 10 has a removable placard or panel 60 that affixes to the front of the privacy screen 56 on the desk 50. The panel 60 can be used to communicate various forms of useful information for classrooms and other settings. For example, the panel 60 can be used for seating information, personal information, grading or assignment details, advertisements, logos, and other forms of information. The panel 60 can be pre-printed with information, or users, such as elementary students, can decorate or write on the panels 60. In general, the panel 60 can affix to the screen 56 using a variety of attachment methods and materials—some of which are described below.

As shown in FIG. 1C, for example, the panel 60 includes a frame 62 attached to the screen 56. The frame 62 defines a slot 64 along one edge and forms a pocket for holding a removable placard 66. The frame 62 can be made of plastic or metal. As clear plastic, for example, the frame 62 can define a full

slotted enclosure for holding the placard 66. Alternatively, the frame 62 can be composed of a metallic slotted frame that is open in the middle to display the placard 66. For its part, the placard 66 can be composed of any suitable material, such as Tyvek® material, fabric, metal, solid or clear plastic, paper, etc. (TYVEK is a registered trademark of E. I. DU PONT DE NEMOURS AND COMPANY CORPORATION.)

As shown in another example of FIG. 1D, the panel 60 includes a placard 66 that affixes directly to the screen 56 using attachments 68, which can include glue, hook and loop fasteners, magnets, snaps, buttons, or any other permanent or removable fastening mechanisms.

As shown in yet another example of FIG. 1E, the panel 60 can affix at its ends to the vertical supports 52 on the desk 50. In this arrangement, the panel's ends can affix to the supports 52 using a variety of attachments 68, such as welds, glue, hook and loop fasteners, magnets, snaps, buttons, or any other permanent or removable fastening mechanisms. As shown in FIG. 1F, the panel 60 can alternatively affix along its top edge to the underside of the desk surface 54, for example, at an upper cross support 55. Additionally, the panel 60 can affix along its bottom edge to a cross bar 53 between the desk's supports 52.

In either case, the panel 60 in the arrangements of FIGS. 1E-1F can actually operate as a security screen for the desk's user so that the desk 50 depicted in FIGS. 1E-1F is missing a permanent security screen as in other arrangements. Additionally, the panel 60 may itself incorporate the information to be communicated or may act as a holder via a pocket or the like of printed or written information to be communicated to or about a student.

B. Foot Rest Adjustment

As shown in FIGS. 1A-1C, the footrest 40 has two rails, one providing support when standing and one for providing support when seated. The footrest 40 can be adjusted for depth relative to the user by using screws or fasteners that affix the joints 42 to set locations on the base's frame members 32.

As an alternative shown in FIGS. 2A-1 and 2A-2, footrest adjustment for depth (relative to the user) can be accomplished using removable pins and latch points of a lock mechanism 70a. FIG. 2A-1 illustrates a portion of a base 30 of the disclosed assembly 10 having one such adjustable footrest 40, and FIG. 2A-2 illustrates a sectional view of one embodiment of a pin and latch mechanism 70a for the adjustable footrest 40 in FIG. 2A-1.

The mechanism 70a has one or more pins 72 that can pass into and out of latch points or holes 37 in the frame member 32. Preferably, the one or more pins 72 attach to a handle 74 that can be easily accessed. To facilitate pulling out the pins 72 and inserting them in new latch points 37, the pins 72 are preferably biased by springs 78, which can be enclosed in housings 76 and can bias the pins 72 for insertion.

To adjust the location of the joint 42 on the frame member 32 and thereby move the footrest 40, a user can pull the handle 74 to release the pins 72 from the latch points 37 and slide the footrest 40 along the frame member 32. Once at the desired location, the pins 72 can be released to insert into new latch points 37.

As another alternative shown in FIGS. 2B-1 and 2B-2, footrest adjustment for depth (relative to the user) can be accomplished using a push-button lock mechanism 70b. FIG. 2B-1 illustrates a portion of a base 30 of the disclosed assembly 10 having one such adjustable footrest 40, and FIG. 2B-2 illustrates a sectional view of one embodiment of a biased button mechanism 70b for the adjustable footrest 40 in FIG. 2B-1.

The mechanism 70b has push-buttons 72, which can be biased by springs 78 or the like. The push-buttons 72 pass through holes 37 in the frame member 32 and can pass into and out of a hole 47 in the joint 42 when disposed relative thereto. To adjust the location of the joint 42 on the frame member 32 and thereby move the footrest 40, a user can push the locked push-button 72 inward, slide the footrest 40 along the frame member 32, and push any other push-buttons 72 inward, if necessary. The footrest 40 can then be locked in place by locking one of the push-buttons 72 in the joint's hole 47.

FIG. 2C shows another mechanism 70c for adjusting the position of the footrest 40. Here, the joints 43 on the footrest 40 are tubes disposed on the frame members 32, which is a horizontal tube. The tubular joints 43 can slide along the tubular frame members 32 when foot pressure is absent so the position of the footrest 40 can be adjusted. Yet, when foot pressure is applied against the rest 40, the tubular joints 43 hold their position on the tubular frame members 32 due to the friction from the cantilever pressure of the encapsulating joints 43 against the frame members 32. This action locks the joints 43 in place. Cross-grooves, knurling, notches, or the like 71 can be applied to the surface of the tubular frame members 32 to enhance this cantilever locking.

C. Disconnectable Desk and Seat

As shown in FIGS. 1A-1C, the base's floor 34 can be integrated into the seat 20 and the desk 50. This construction can prevent inadvertent and distracting movement of the seat 20 and desk 50 when used in a classroom setting. In other embodiments, one or both of the seat 20 and desk 50 may be removable from the frame 30 to provide more versatility to the assembly 10.

Turning to FIGS. 3A-3C, for example, an embodiment of the desk assembly 10 has a desk 50 and seat 20 integrated into the base 30, but the seat 20 is removable from the base 30 so it can be used independently. The seat 20, base 30, footrest 40, and desk 50 are similar to those discussed above so that like reference numerals are used. However, the seat 20 has multiple (e.g., four) legs 28 and can be used independent from the base 30.

The legs 28 fit onto the base 30 and can be held in place using a lock mechanism 80—the details of which are discussed later. As best shown in FIG. 3C, the feet 29 of the seat's legs 28 fit through openings 39 in the base's floor 34. Because the legs 28 are preferably angled to better support weight and provide stability, these openings 39 can be oblong, and the openings 39 near the back edge of the floor 34 may actually be open at one end.

With the feet 29 positioned in the openings 39 of the base's floor 34, the seat 20 is essentially integrated with the base 30 and desk 50 to form the integrated desk assembly 10. Yet, when desired, the seat 20 can be lifted from the base 30 to remove the feet 29 from the openings 39. At that point, the seat 20 can be used independently from the base 30 and desk 50 as depicted in FIG. 3D.

As noted above, the feet 29 of the seat 20 can be held on the base 30 using a locking mechanism 80. One example of the locking mechanism 80 is best shown in FIG. 3C. As shown, the mechanism 80 includes a sliding bar 84 having a handle 82 at one end extending beyond or out of the back edge on the base's floor 34. Couplers 88 hold the sliding bar 84 to the underside of the floor 34 and allow the bar 84 to be moved along its length. Near the oblong openings 39 in the floor 34, the bar 84 has locks or catches 86. When the bar 84 is slid in one direction (e.g., away from the desk 50), the catches 86 engage the feet 29 on the seat's legs 28. When the bar 84 is slid in the opposite direction (e.g., toward the desk 50), the

catches **86** disengage the feet **29** so they can be lifted out of the openings **39**. A reverse arrangement may instead be used. This and other mechanisms can be used to engage and hold the feet **29** or legs **28** of the seat **20** to the base **30**.

Turning now to FIGS. 4A-4B, an embodiment of the desk assembly **10** has a desk **50** and seat **20** integrated into the base **30**, but the desk **50** is removable from the base **30** so it can be used independently. The seat **20**, base **30**, footrest **40**, and desk **50** are similar to those discussed above so that similar reference numerals are used. However, each of the frame members **32** of the base **30** are split into separate components—one member **32-2** for the seat **20** and another **32-5** for the desk **50**.

The ends of these members **32-2** and **32-5** abut one another, and lock mechanisms **90** hold them together. This keeps the desk **50** attached to the integrated seat **20** and base **30** of the assembly **10**. As best shown in FIG. 4B, the lock mechanisms **90** include bars **92** that extend from the frame members (e.g., **32-2**) and fit into the hollow tubing of the other frame members (e.g., **32-5**). A reverse arrangement could also be used.

Either way, threaded fasteners or pins **94** install through the surrounding members **32-5** and into the extending bars **92** to hold the desk **50** to the base **30**. When desired, however, the lock mechanisms **90** can be unfastened, and the desk **50** can be slid away from the base **30** to remove the desk **50** from the assembly **10**. At that point as shown in FIGS. 5A-5B, the desk **50** can be used independently from the base **30** and seat **20**, which can also be used independently. For stability and depending on the size of the floor **34** and the distribution of weight, the floor **34** may require an extension **35** beyond the back of the seat **20** to prevent tipping backwards if the seat **20** and base **30** are used without the desk **50**. Rather than an extension **35** to the floor **34**, other features, such as legs, bars, feet or the like can be disposed at the back edges of the frame members **32-2** to prevent the seat **20** and base **30** from tilting back.

As shown in FIGS. 6A-6B, the desk **50** can be used independently or can be used with another seat or stool **12**. As also shown, the desk **50** may use extending feet **96** that affix in the tubes of the frame members **32-5** with the lock mechanisms **90**, or these extending feet **96** may actually be the existing bars of the lock mechanisms **90**. The feet **96** may be used depending on the stability of the desk **50** once removed from the base **30**.

Turning now to FIGS. 7A-7B, yet another embodiment of the desk assembly **10** has a desk **50** and seat **20** integrated into the base **30**, but the desk **50** is removable from the base **30** so it can be used independently. The seat **20**, base **30**, footrest **40**, and desk **50** are similar to those discussed above so that similar reference numerals are used. Here, the desk **50** has four legs **52** and **52'** and can be independently removed from the base **30**. As with the other embodiments, this four-legged desk **50** can quick-disconnect from the base **30** and seat **20** to allow modularity and flexibility for both the user and manufacturer.

As shown, the lower ends of the front legs **52** connect with side members **57** to the lower ends of the back legs **52'** on the desk **50**. The ends of the frame members **32** abut the ends of these side members **57**, and lock mechanisms **90** hold them together. This keeps the desk **50** attached to the integrated seat **20** and base **30** of the assembly **10**. As best shown in FIG. 7B, the lock mechanisms **90** can include narrower bars **92** that extend from the frame members **32** and fit into hollow ends of the side members **57**. Threaded fasteners or pins **94** install through the side members **57** and the extending bars **92** to hold the desk **50** to the base **30**.

When desired, the lock mechanisms **90** can be unfastened, and the desk **50** can be slid away from the base **30** to remove the desk **50** from the assembly **10**. At that point in a manner similar to FIGS. 5A-5B, the desk **50** can be used independently from the base **30** and seat **20**, which can also be used independently. For stability and depending on the size of the floor **34** and the distribution of weight, the floor **34** may require an extension **35** beyond the back of the seat **20** to prevent tipping backwards if the seat **20** and base **30** are used without the desk **50**. Alternatively, the back ends of the frame members **32** under the seat **20** may have feet, legs, or other feature (not shown) to prevent back tilt.

As also shown in FIGS. 7A-7B, an alternative arrangement can be used to adjust the position of the footrest **40**. Here, the side members **57** define various slots **59** along their lengths. Ends of the footrest **40** can position in these top slots **59** across the bottom of the desk **50** to adjust the footrest's position. Locking pins **72** can insert or thread through side holes in the side members **57** to lock against the footrest's ends positioned in the slots **59**.

D. Movable Desk and Other Features

FIG. 8 illustrates an exploded view of an embodiment of a movable desk assembly **10** having a desk **50** with integrated seat **20** and base **30**. FIGS. 9A-9D illustrate the assembly **10** in top, side, perspective, and front views. As before, the seat **20**, base **30**, footrest **40**, and desk **50** are similar to those discussed above so that similar reference numerals are used.

As shown, the inside edge of the tabletop **54** is curved, and the back of the seat **20** has a storage compartment. Additional supports can be provided on the back or sides of the seat **20** for a back-pack or a purse.

As best shown in the exploded view of FIG. 8, the frame members **32** can comprise several independent tubular elements **32-2**, **32-3**, and **32-5** that couple together, either fixedly with screws or adjustably with push-button locks or other mechanism, as disclosed herein. Not only does this arrangement facilitate manufacture of the assembly **10**, but the modular construction facilitates the ability to separately disconnect the desk **50** from the frame **30** according to the various embodiments discussed above in FIGS. 4A through 7B.

As also shown in FIG. 8, the bottom rest **24** of the seat **20** has a bottom panel **24b** affixed to a U-shaped support bar **25** with pivot points **26b**, which pivotably connect to hinges **26a** disposed on the seat's back support bar **28**. Pins **27b** on the pivot points **26b** fit in channels **27a** on the hinges **26a** that limit the amount the support bar **25** can pivot. The seat **20** also has a top panel **24a** that may or may not be attached to the U-shaped support bar **25**, depending on whether the seat **20** has a storage space or not, as noted below.

As also shown, feet **35** attach toward the front edges of the frame members **32** and hold rollers or wheels **37**. When the assembly **10** rests on the floor as depicted in FIG. 10, the wheels **37** on the feet **35** are held up away from the surface so that the assembly **10** can rest on the floor and remain stationary. However, when the assembly **10** is tilted forward to pivot on the feet **35**, a user can move the assembly **10** along the floor using the wheels **37**.

In alternative arrangements, the wheels **37** and feet **35** can be disposed on the back edges of the frame members **32** (i.e., beneath the seat **20**) or disposed on both the front and back edges. In either case, the wheels **37** are disposed above the floor when the base **30** rests on the floor so the assembly **10** will not move inadvertently. However, the assembly **10** is supported on the wheels **37** against the floor when the assembly **10** is pivoted relative to the floor so the assembly **10** can be moved.

E. Adjustable Components

In addition to the desk assembly **10** being movable and having removable components as disclosed above, other embodiments of the assembly **10** can have adjustable components. For example, FIGS. **11A-11C** illustrate an embodiment of the assembly **10** having adjustable seat and desk components. In the side view of FIG. **11A**, the assembly **10** is shown in its smallest, unextended state. However, in FIG. **11B**, the assembly **10** is shown with a number of components adjusted.

As depicted in FIG. **11B**, for example, the height of the desk **50** can be adjusted relative to the floor **34**. To do this, the legs **52** of the desk **50** can be telescopically disposed in the frame members **32-5**, and an adjustment mechanism **100**, such as push-button locks or other mechanisms, on the legs **52** can be successively locked in lock holes **102** on the frame members **32-5**. In a similar fashion, the height of the seat **20** can be adjusted by having the seat legs **28** telescopically disposed in the frame members **32-2** with adjustment mechanisms **100** for locking in holes **102** at particular adjusted positions.

The depth of the seat **20** (i.e., the distance of the seat from the desk **50**) can be adjusted as well. As best shown in the bottom view of FIG. **11C**, the frame members **32** can be separated into seat members **32-2** and desk members **32-5**. One of these members (e.g., **32-2**) can be telescopically disposed over intermediate bars **32-3**, which may be fixedly attached to the other member (e.g., **32-5**). The intermediate bars **32-3** have adjustment mechanisms **100** that can lock in holes in the movable members (**32-2**). This allows the seat members **32-2** to be pulled away from the base **30** or pushed toward the base **30** to adjust the depth of the seat **20**.

Although not specifically shown, the desk **50** instead of or in addition to the seat **20** can have its depth adjusted relative to the base **30**. This depth adjustment of the desk **50** can be achieved using a similar arrangement as provided for the depth adjustment of the seat **20** so the details are not repeated here, but would be apparent with the benefit of the present disclosure.

Additionally as shown in FIGS. **11A-11B**, the tabletop **54** of the desk **50** can move on sliding tracks **110** back and forth to adjust the tabletop's **54** position. Each sliding track **110** can have longitudinal rails **112** and **114**—one rail **114** riding in a channel of the other rail **112** and using bearings or the like to facilitate sliding. Preferably, a catch, stop, or lock **116** can lock the position of the sliding track **110** at least in its two extreme positions, if not more. The tabletop **54** can also be tilted by providing a locking hinge mechanism **120** at the corner between the legs **52** and the supports bars **53** on the underside of the tabletop **54**.

As further depicted in FIGS. **11A-11C** and as noted above with reference to FIG. **8**, the seat **20** has a retractable bottom support **24** that can be pivoted on hinges **26a** up against the seat back **22**. This can allow the user to stand on the floor **34** of the base **30** using it as a standing deck. Finally, not only can the depth of the footrest **40** be adjusted as noted above, but the footrest **40** can be adjusted for height using an adjustment mechanism **100** similar to those disclosed herein, such as a push-button lock mechanism or the like.

F. Seat Pan Lumbar Support

As shown previously in FIG. **8**, the bottom rest **24** of the seat **20** has a bottom panel **24b** affixed to a U-shaped support bar **25** with pivot points **26b** pivotably connected to hinges **26a** disposed on the seat's back support bar **28**. Pins **27b** on the pivot points **26b** fit in channels **27a** on the hinges **26a** that limit the amount the support bar **25** can pivot. The seat **20** also has a top panel **24a** that may or may not be attached to the

U-shaped support bar **25**. Although the seat's bottom rest **24** can be pivoted entirely on the hinges **26a** as shown in FIG. **11B**, the top panel **24a** can pivot separately on the hinges **26a** toward the back panel **25**. For example, FIG. **12A** depicts different stages (A and B) of the top panel **24a** pivoted separately. When this top panel **24a** is pivoted by itself, the bottom panel **24b** and support bar **25** can form a storage space in the seat bottom rest **24**.

FIG. **12B** illustrates another seat **20** for the disclosed assembly in stages of use (A and B). As noted above in FIGS. **8** and **12A** and shown again, the bottom rest **24** of the seat **20** has a bottom panel **24b** affixed to a U-shaped support bar **25** with pivot points (**26b**: FIG. **8**) pivotably connected to hinges **26a** disposed on the seat's back support bar **28**. Pins (**27b**: FIG. **8**) on the pivot points (**26b**) fit in channels (**27a**: FIG. **8**) on the hinges **26a** that limit the amount the support bar **25** can pivot. The seat **20** also has a top panel **24a** that is not attached to the U-shaped support bar **25**. The top panel **24a** can pivot separately on the hinges **26a**.

Rather than forming a storage space, however, the bottom panel **24b** and support bar **25** in FIG. **12B** have a cushion **23** or form another panel surface on which a user can sit. The inside surface of the top panel **24a** has a shaped surface **29** forming a lumbar support for a seated user. The lumbar support **29** can include padding affixed to the inside of the top panel **24a** or can simply be a molded shape integrated into the material (i.e., plastic) of the seat's top panel **24a**.

In yet another alternative and instead of or in the alternative to the lumbar support **29** disposed on the inside of the top panel **24a**, the bottom surface of the bottom panel **24b** may have such a lumbar support (e.g., **29** depicted in dashed line in FIG. **11B**). Therefore, when the entire bottom support **24** of the seat **20** is pivoted up against the back support **22** as shown in FIG. **11B**, the lifted bottom support **24** up against the back support **22** can allow a user to stand on the floor as a standing platform, while the lumbar support (**29**) on the bottom surface of the pivoted bottom support **24** can provide a lumbar support curve positioned for leaning support of the user's lower-back while standing.

The foregoing description of preferred and other embodiments is not intended to limit or restrict the scope or applicability of the inventive concepts conceived of by the Applicants. It will be appreciated with the benefit of the present disclosure that features described above in accordance with any embodiment or aspect of the disclosed subject matter can be utilized, either alone or in combination, with any other described feature, in any other embodiment or aspect of the disclosed subject matter. Thus, a desk assembly according to the present disclosure can have one or more of an information panel, removable desk, removable seat, wheels, seat panel with integrated lumbar support, pivotable seat bottom, adjustable desk, adjustable seat, adjustable, footrest, adjustable tabletop, or other feature disclosed herein.

Moreover, various adjustment mechanisms have been described for adjusting the length of frame components. For example, adjustment mechanisms have been described for locking telescopically disposed sections of tubing in adjusted positions. Any known lock mechanism for telescopic tubing can be used, including, but not limited to, push-button lock mechanisms, through pins, ratchet mechanisms, holes and removable fasteners, and the like. For example, ratchet mechanisms can be used for adjusting telescopic tubing that allow one tube to be pulled out of the other in one direction, but a ratchet prevents reinsertion. Instead, the tubes must be pulled to a specific length before the ratchet mechanism will allow reinsertion. In another example, compression or clenching collars can be used to lock the tubes in position

using friction, much in the same way the leg sections for tripods are locked. These and other forms of adjustment mechanisms can be used on the disclosed assemblies.

In exchange for disclosing the inventive concepts contained herein, the Applicants desire all patent rights afforded by the appended claims. Therefore, it is intended that the appended claims include all modifications and alterations to the full extent that they come within the scope of the following claims or the equivalents thereof.

What is claimed is:

1. An assembly, comprising:
a desk disposed on the assembly;
a seat disposed on the assembly adjacent the desk; and
a base disposed on the assembly and interconnecting the seat to the desk,
wherein the seat comprises a bottom support having top and bottom surfaces and being pivotable from a seating position to a standing position, the top surface of the bottom support in the seating position providing support to a user seated on the seat, the bottom support pivoting upward from the seating position to the standing position, the bottom surface of the bottom support in the standing position accommodating the user standing on the base between the desk and the seat.
2. The assembly of claim 1, wherein the base has a removable connection to legs of the seat, and wherein the seat and the desk are both self-supporting when the seat is disconnected from the removable connection to the base.
3. The assembly of claim 1, wherein the base disposed on the assembly interconnects the seat at a first distance to the desk, the assembly comprising:
a footrest disposed on the base; and
an adjustable connection between the footrest and the base and adjusting position of the footrest along the first distance relative to the seat.
4. The assembly of claim 1, wherein the desk comprises a desktop having a front edge; vertical supports depending from the front edge of the desktop and supporting the desktop; and at least one of a screen, a panel, a frame, and a placard affixed across the front edge of the desktop between the vertical supports.
5. The assembly of claim 1, comprising: wheels disposed on either front or back edges of the base, the wheels disposed above a floor when the base rests on the floor, the assembly supported on the wheels against the floor when the assembly is pivoted relative to the floor.
6. The assembly of claim 1, comprising: an adjustable connection of the seat to the base and adjusting a distance of the seat from the desk.
7. The assembly of claim 1, wherein the seat comprises a back support for providing back support to the user when seated on the seat.
8. The assembly of claim 1, wherein the bottom surface of the bottom support pivoted upward from the seating position

to the standing position provides back support to the user when standing on the base between the desk and the seat.

9. The assembly of 8, wherein the bottom support comprises a lumbar support disposed on the bottom surface of the bottom support, the lumbar support on the bottom support pivoted upward from the seating position to the standing position providing the back support to the user when standing on the base between the desk and the seat.

10. The assembly of claim 2, wherein the base disposed on the assembly interconnects the seat at a first distance to the desk, the assembly comprising:

- a footrest disposed on the base; and
- an adjustable connection between the footrest and the base and adjusting position of the footrest along the first distance relative to the seat.

11. The assembly of claim 2, wherein the desk comprises a desktop having a front edge; vertical supports depending from the front edge of the desktop and supporting the desktop; and at least one of a screen, a panel, a frame, and a placard affixed across the front edge of the desktop between the vertical supports.

12. The assembly of claim 2, comprising wheels disposed on either front or back edges of the base, the wheels disposed above a floor when the base rests on the floor, the assembly supported on the wheels against the floor when the assembly is pivoted relative to the floor.

13. The assembly of claim 1, wherein the base has a removable connection to the desk, and wherein the seat and the desk are both self-supporting when the desk is disconnected from the removable connection to the base.

14. The assembly of claim 13, wherein the base disposed on the assembly interconnects the seat at a first distance to the desk, the assembly comprising:

- a footrest disposed on the base; and
- an adjustable connection between the footrest and the base and adjusting position of the footrest along the first distance relative to the seat.

15. The assembly of claim 13, wherein the desk comprises a desktop having a front edge; vertical supports depending from the front edge of the desktop and supporting the desktop; and at least one of a screen, a panel, a frame, and a placard affixed across the front edge of the desktop between the vertical supports.

16. The assembly of claim 13, comprising wheels disposed on either front or back edges of the base, the wheels disposed above a floor when the base rests on the floor, the assembly supported on the wheels against the floor when the assembly is pivoted relative to the floor.

17. The assembly of claim 13, comprising an adjustable connection of the seat to the base and adjusting a distance of the seat from the desk.

* * * * *