



US008517349B1

(12) **United States Patent**
Ross et al.

(10) **Patent No.:** **US 8,517,349 B1**
(45) **Date of Patent:** **Aug. 27, 2013**

(54) **GUARDRAIL TERMINALS**

(75) Inventors: **Hayes E. Ross**, College Station, TX (US); **Roger Bligh**, Bryan, TX (US); **C. Eugene Butth**, Wellborn, TX (US)

(73) Assignee: **The Texas A&M University System**, College Station, TX (US)

(*) Notice: Subject to any disclaimer, the term of this patent is extended or adjusted under 35 U.S.C. 154(b) by 1233 days.

(21) Appl. No.: **09/679,902**

(22) Filed: **Oct. 5, 2000**

(51) **Int. Cl.**
E01F 15/00 (2006.01)

(52) **U.S. Cl.**
USPC **256/13.1; 256/1; 404/7**

(58) **Field of Classification Search**
USPC 256/13.1; 404/6, 7, 8, 9; 52/40, 52/726.3, 726.4

See application file for complete search history.

(56) **References Cited**

U.S. PATENT DOCUMENTS

79,141 A	6/1868	McFarlin	
398,078 A	2/1889	Peterson	
446,852 A	2/1891	Davis	
629,185 A	7/1899	Arnold	
1,329,492 A	2/1920	Babcock	
1,335,302 A	3/1920	Stout	
1,473,118 A	11/1923	Miller-Masury	
1,677,796 A	7/1928	Parks	
2,089,929 A	8/1937	Brickman et al.	
2,091,195 A	8/1937	Dennebaum	
2,123,167 A	7/1938	Cain	
2,135,705 A	11/1938	Florance	
2,146,333 A	2/1939	Deming	189/36
2,146,445 A	2/1939	Russert et al.	
RE22,060 E	4/1942	Hayden et al.	

(Continued)

FOREIGN PATENT DOCUMENTS

AT	278890	2/1970
AU	603003	3/1989

(Continued)

OTHER PUBLICATIONS

Trinity Industries, Inc., Highway Safety Products (ET Family, ET-2000/LET ET-PLUS) Jun. 17, 2000, [online] [retrieved on Feb. 27, 2003] Retrieved from Internet <URL: <http://www.highwayguardrail.com/Products%20-%20ET%20FAMILY.html>>.*

(Continued)

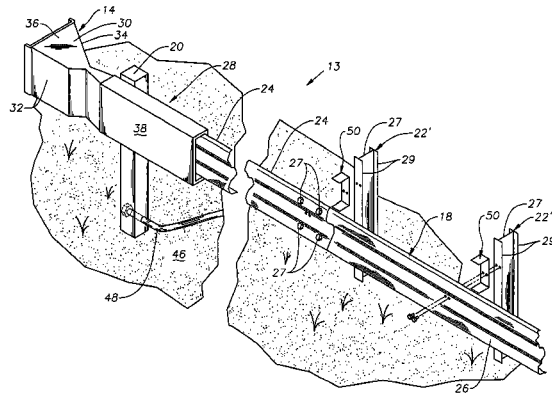
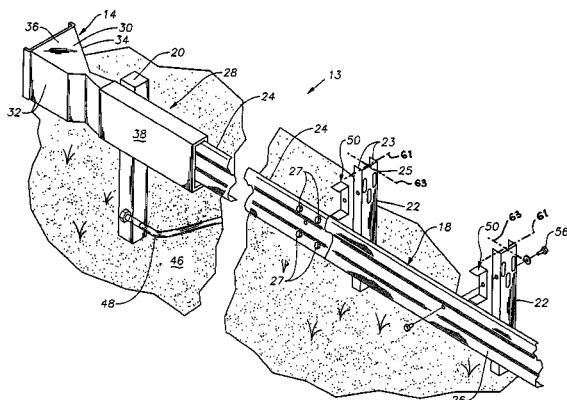
Primary Examiner — Aaron Dunwoody

(74) *Attorney, Agent, or Firm* — Baker Botts L.L.P.

(57) **ABSTRACT**

Devices and methods for supporting guardrail terminal installations that incorporate safety end treatments such as the GET and the SRT. Preferred embodiments are described wherein guardrail terminal installations are primarily anchored to the ground using weak support posts that are preferably made of metal. The ends of the guardrail installation are secured to the ground using breakaway posts. In operation, the weak posts permit the central portion of the guardrail installation to contain and redirect the vehicle during a lateral collision to the rail member. The anchorage provided by the breakaway end posts helps prevent the guardrail from being excessively displaced, thus preventing the impacting vehicle from breaking through the guardrail. In operation, guardrail terminal assemblies constructed in accordance with the present invention provide an improved support system for the rail member which is more forgiving than conventional strong post anchorages, thereby providing an improvement in safety. At the present time, the invention has particular application in some non-U.S. countries, where it is required or highly preferred that metal support posts be used either completely or primarily within guardrail installations. However, the invention is also applicable to installation within the United States.

13 Claims, 6 Drawing Sheets



(56)

References Cited

U.S. PATENT DOCUMENTS

2,309,238	A	1/1943	Corey	5,022,782	A	6/1991	Gertz et al.	
2,321,988	A	6/1943	Brickman	5,054,954	A	10/1991	Cobb et al.	
2,735,251	A	2/1956	Dlugosch	5,069,576	A	* 12/1991	Pomero	256/13.1
2,776,116	A	1/1957	Brickman	5,078,366	A	1/1992	Sicking et al.	
3,185,445	A	5/1965	Broadway	5,112,028	A	5/1992	Laturner	
3,308,584	A	3/1967	Graham	5,203,543	A	4/1993	Fleury	
3,332,666	A	7/1967	Gray	5,214,886	A	6/1993	Hughron	
3,349,531	A	10/1967	Watson	5,244,101	A	9/1993	Palmer et al.	
3,385,564	A	5/1968	Persicke	5,248,129	A	9/1993	Gertz	
3,417,965	A	12/1968	Gray	5,286,137	A	2/1994	Cicinnati et al.	
3,450,233	A	6/1969	Massa	5,391,016	A	* 2/1995	Ivey et al.	256/13.1
3,499,630	A	3/1970	Dashio	5,403,112	A	4/1995	Carney, III	
3,519,301	A	7/1970	Somnitz	5,407,298	A	4/1995	Sicking et al.	
3,521,917	A	7/1970	King	5,481,835	A	1/1996	Bloom	52/98
3,567,184	A	3/1971	Yancey	5,484,217	A	1/1996	Carroll et al.	
3,606,222	A	9/1971	Howard	5,503,495	A	4/1996	Mak et al.	
3,617,076	A	11/1971	Attwood	5,547,309	A	8/1996	Mak et al.	
3,632,088	A	* 1/1972	Filipek et al.	5,647,520	A	7/1997	McDaid	
3,637,244	A	1/1972	Strizki	5,657,966	A	8/1997	Cicinnati	
3,643,924	A	2/1972	Fitch	5,660,375	A	* 8/1997	Freeman	256/13.1
3,680,448	A	8/1972	Ballingall et al.	5,660,496	A	8/1997	Muller et al.	
3,693,940	A	9/1972	Kendall et al.	5,664,905	A	9/1997	Thompson et al.	
3,711,881	A	1/1973	Chapman et al.	5,733,062	A	3/1998	Oberth et al.	
3,768,781	A	10/1973	Walker et al.	5,746,419	A	5/1998	McFadden et al.	
3,776,520	A	12/1973	Charles et al.	5,765,811	A	6/1998	Alberson et al.	
3,820,906	A	6/1974	Katt	5,775,675	A	7/1998	Sicking et al.	
3,846,030	A	11/1974	Katt	5,791,812	A	* 8/1998	Ivey	256/13.1
3,856,268	A	* 12/1974	Fitch	5,797,591	A	8/1998	Krage	
3,912,404	A	10/1975	Katt	5,797,592	A	8/1998	Machado	
3,919,380	A	11/1975	Smarook et al.	5,823,584	A	10/1998	Carney, III	
3,925,929	A	12/1975	Montgomery	5,832,762	A	11/1998	McDaid	
3,951,556	A	4/1976	Strizki	5,851,005	A	12/1998	Muller et al.	
3,967,906	A	7/1976	Strizki	5,855,443	A	1/1999	Faller et al.	403/2
3,972,510	A	8/1976	Dougherty	5,876,020	A	* 3/1999	Giavotto	256/13.1
3,981,486	A	9/1976	Baumann	5,924,680	A	7/1999	Sicking et al.	
3,982,734	A	9/1976	Walker	5,931,448	A	8/1999	Sicking et al.	
4,000,882	A	* 1/1977	Penton	5,957,435	A	9/1999	Bronstad	
4,063,713	A	12/1977	Anolick et al.	5,966,867	A	10/1999	Downer et al.	
4,071,970	A	2/1978	Strizki	5,988,598	A	11/1999	Sicking et al.	
4,126,403	A	11/1978	Sweeney et al.	5,992,828	A	11/1999	Burdick	
4,183,695	A	1/1980	Wilcox	6,007,269	A	12/1999	Marinelli	
4,190,275	A	2/1980	Mileti	6,010,275	A	* 1/2000	Fitch	256/13.1
4,200,310	A	4/1980	Carney, III	6,022,003	A	* 2/2000	Sicking et al.	256/13.1
4,236,843	A	12/1980	Chisholm	6,065,894	A	5/2000	Wasson et al.	
4,269,384	A	5/1981	Saeed et al.	6,092,959	A	7/2000	Leonhardt et al.	
4,278,228	A	7/1981	Rebentisch et al.	6,109,597	A	8/2000	Sicking et al.	
4,295,637	A	10/1981	Huleck	6,116,805	A	9/2000	Gertz	
4,330,106	A	5/1982	Chisholm	6,129,342	A	* 10/2000	Bronstad	256/13.1
4,351,617	A	9/1982	Landa	6,168,346	B1	* 1/2001	Ernsberger	256/13.1
4,352,484	A	10/1982	Gertz et al.	6,203,079	B1	3/2001	Breed	
4,389,134	A	6/1983	Colas	6,210,066	B1	4/2001	Dent	
4,399,980	A	8/1983	van Schie	6,220,575	B1	4/2001	Lindsay et al.	
4,432,172	A	2/1984	Kuykendall et al.	6,244,571	B1	6/2001	Reid et al.	
4,452,431	A	6/1984	Stephens et al.	6,254,063	B1	7/2001	Rohde et al.	
4,490,062	A	12/1984	Chisholm	6,260,827	B1	7/2001	Sicking et al.	
4,501,411	A	2/1985	Otaki	6,272,796	B1	8/2001	Metzler	52/93.1
4,583,716	A	4/1986	Stephens et al.	6,290,427	B1	* 9/2001	Ochoa	256/13.1
4,607,824	A	8/1986	Krage et al.	6,299,141	B1	10/2001	Lindsay et al.	
4,645,375	A	2/1987	Carney, III	6,308,809	B1	10/2001	Reid et al.	
4,646,489	A	3/1987	Feller et al.	6,340,268	B1	1/2002	Alberson et al.	
4,655,434	A	4/1987	Bronstad	6,347,904	B1	2/2002	Knighon	
4,674,911	A	6/1987	Gertz	6,398,192	B1	6/2002	Albritton	
4,678,166	A	7/1987	Bronstad et al.	6,409,156	B2	6/2002	Dent	
4,729,690	A	3/1988	Lavender et al.	6,416,041	B1	7/2002	Sicking et al.	
4,784,515	A	11/1988	Krage et al.	6,435,761	B1	8/2002	Bligh et al.	
4,815,565	A	3/1989	Sicking et al.	6,461,076	B1	10/2002	Stephens et al.	
4,819,915	A	4/1989	Cargnel	6,488,268	B1	12/2002	Albritton	
4,838,523	A	6/1989	Humble et al.	6,554,256	B2	4/2003	Ochoa	
4,852,847	A	8/1989	Pagel	6,609,343	B1	8/2003	Litten	
4,923,319	A	5/1990	Dent	6,637,971	B1	10/2003	Carney, III et al.	
4,926,592	A	5/1990	Nehls	6,644,888	B2	11/2003	Ochoa	404/6
4,928,446	A	5/1990	Alexander, Sr.	2001/0013596	A1	8/2001	Sicking et al.	
4,928,928	A	5/1990	Buth et al.	2001/0048101	A1	* 12/2001	Bligh et al.	256/13.1
4,986,687	A	1/1991	Ivey	2002/0007994	A1	1/2002	Reid et al.	
5,011,326	A	4/1991	Carney, III	2002/0179894	A1	12/2002	Albritton	
				2003/0015695	A1	1/2003	Alberson et al.	
				2003/0168650	A1	9/2003	Alberson et al.	

2003/0213946 A1 11/2003 Alberson et al.
 2003/0215305 A1 11/2003 Alberson et al.
 2006/0017048 A1 1/2006 Alberson et al.

FOREIGN PATENT DOCUMENTS

AU	A021844/88	11/1990
CL	472-00	3/2000
DE	1 916 361	3/1963
DE	1534526	11/1965
DE	3708861 A1	10/1988
EP	0 245 042	11/1987
EP	0952256 A2	4/1999
EP	0 924 347 A1	6/1999
EP	095226 A2	10/1999
FR	2 386 667	4/1977
FR	2386667	3/1978
FR	2546932	6/1983
GB	2023695 A	1/1980
JP	10 18255	1/1989
LU	40465	10/1961
LU	41444	5/1962
WO	WO 96/20311	4/1996
WO	98/50637	11/1998
WO	00/40805	7/2000
WO	02/18708 A2	3/2002

OTHER PUBLICATIONS

Pride Enterprises, (Wood & Recreational Products) Oct. 3, 2000, [online] [retrieved on Feb. 27, 2003] Retrieved from Internet <URL: <http://web.archive.org/web/20001003144854/http://www.peol.com/wood.htm>>.*

U.S. Appl. No. 09/943,727 entitled: *ET-PLUS: Head Assembly for Guardrail Extruder Terminal*, Aug. 31, 2001.

U.S. Appl. No. 10/308,296 entitled: *Stell Yielding Guardrail Support Post*, Dec. 2, 2002.

ET-2000 the Future of Highway Safety—SYRO (Printed in Dec. 1990; revised Oct. 1992).

Bronstad, et al., *Modified Breakaway Cable Terminals for Guardrails and Median Barriers*, Research Results Digest, NCHRP, Transportation Research Board, Digest 12, May 1978.

Breakaway Metal Post for Highway Guardrail End Treatments U.S. Appl. No. 09/074,496, filed May 7, 1998 James R. Albritton, May 7, 1998.

Breakaway Support Post for Highway Guardrail End Treatments U.S. Appl. No. 09/358,017, filed Jul. 19, 1999 James R. Albritton, Jul. 19, 1999.

"INFORMATION: Report 350 Acceptance of New York 3-Strand Cable Terminal", Memorandum No. HMHS-CC63 from Dwight A. Horne, Director, Office Highway Safety Infrastructure, U.S. Department of Transportation, Federal Highway Administration, to Resource Center Directors, Division Administrators and Federal Lands Highway Division Engineers, 2 pages Memorandum and 3 pages of Attachments, Feb. 14, 2000.

"Road Restraint Systems—Part 4: Barrier Systems . . .", European Standard, Draft, PrEN 1317-4, Jun. 17-18, 1999, European Committee for Standardisation, Doc No: 226/WG1/TG1/041, Central Secretariat: rue de Stassart 36, B 6 1050 Brussels.

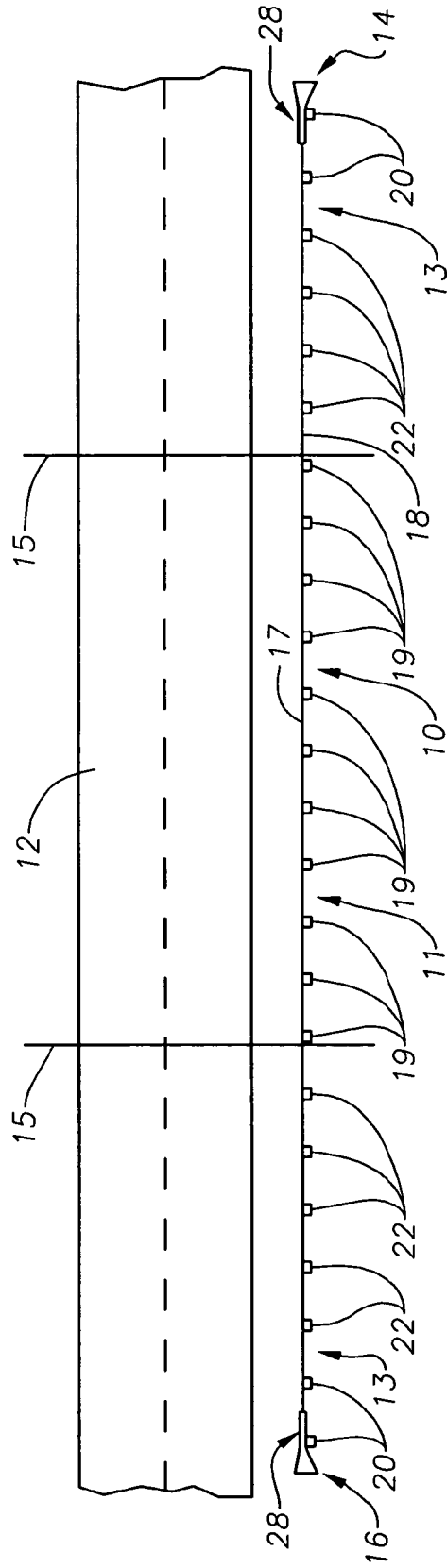
"Road Restraint Systems—Part 4: Performance Classes . . .", British Standard, Oct. 18, 2002, © BSI, ENV 1317-4:2001 (E).

"Recommended Procedures for the Safety Performance Evaluation of Highway Features", NCHRP Report 350, National Cooperative Highway Research Program, Transportation Research Board.

"BEAT Box Beam Bursting Energy Absorbing Terminal", RSI Road Systems, Inc., <http://www.roadsystems.com/beat.htm>.

* cited by examiner

Fig. 1



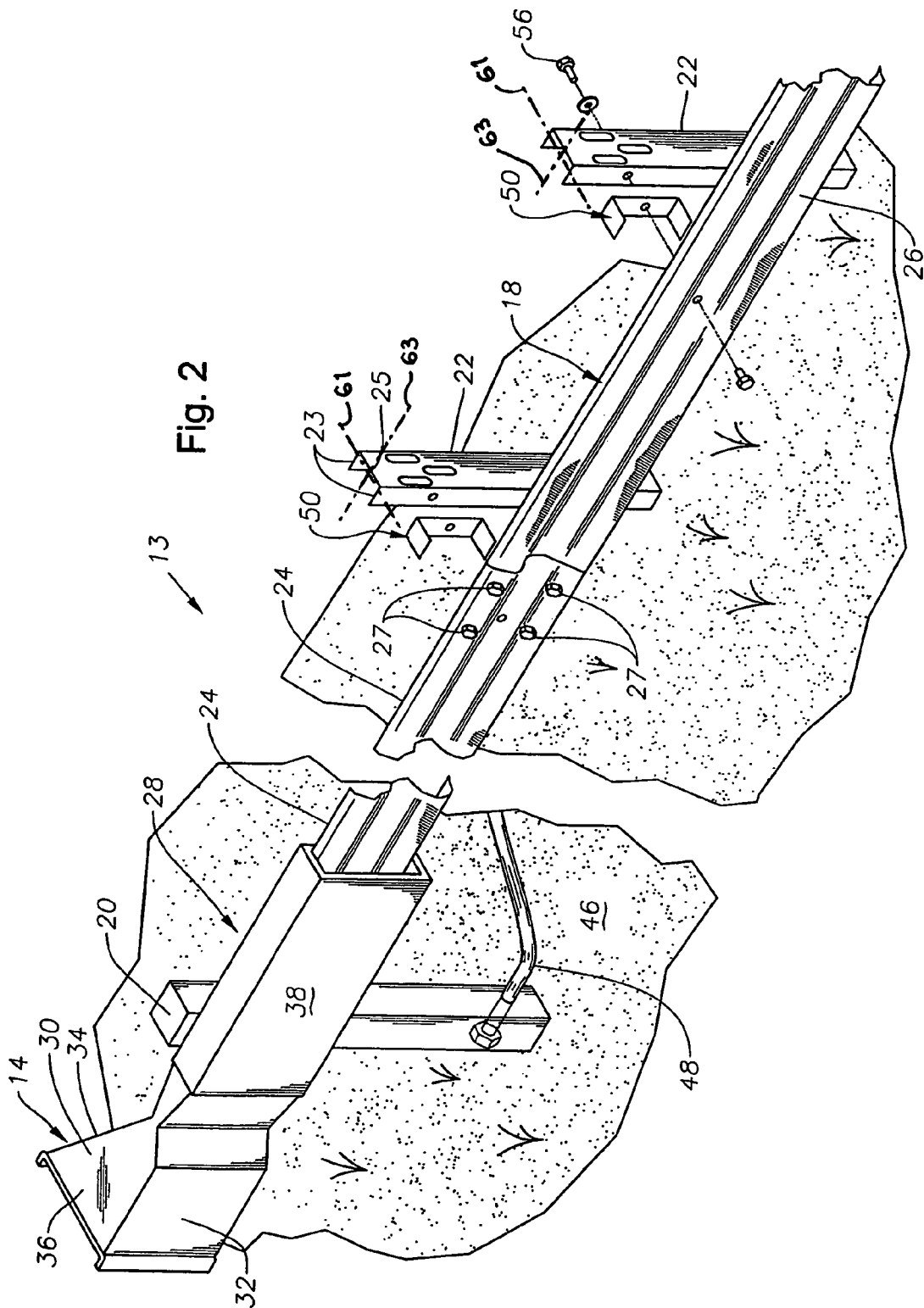
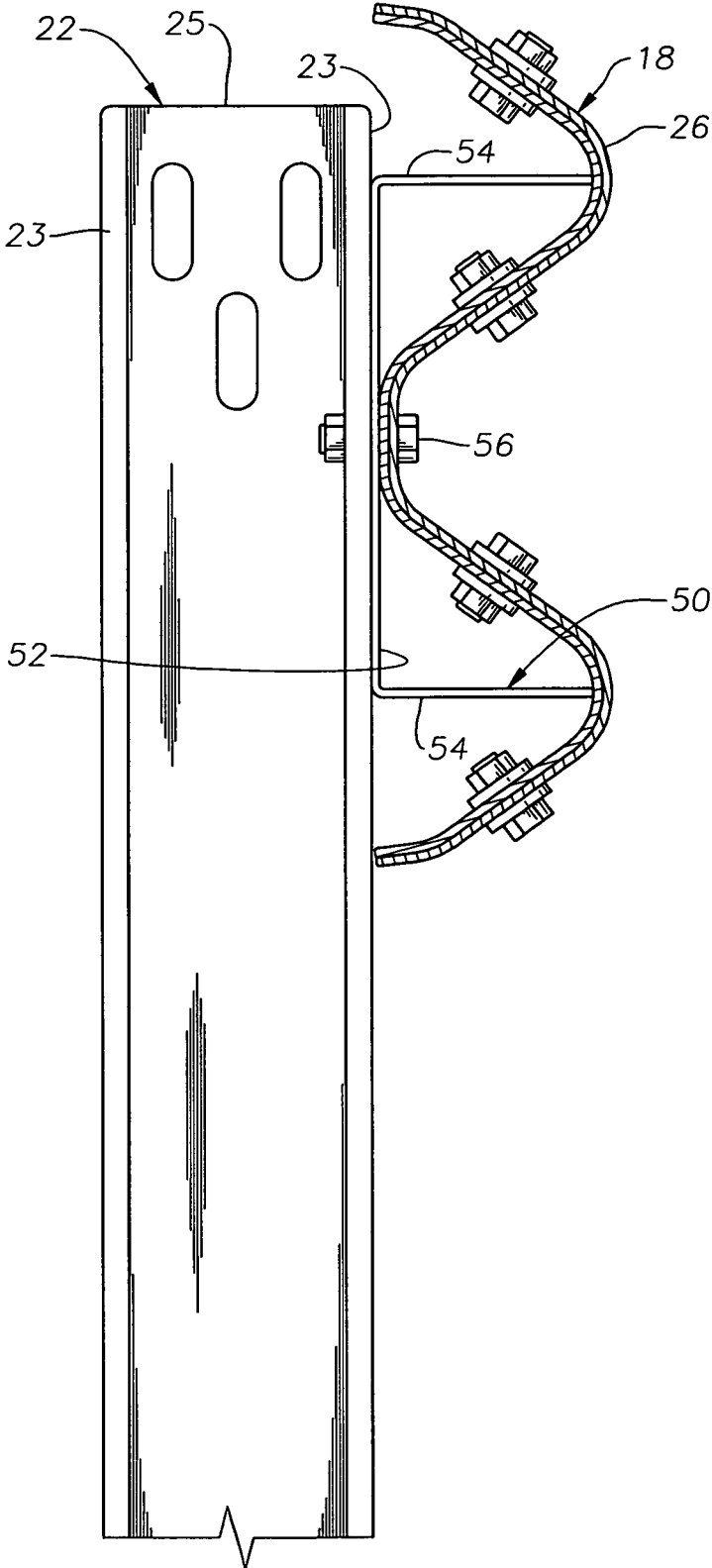
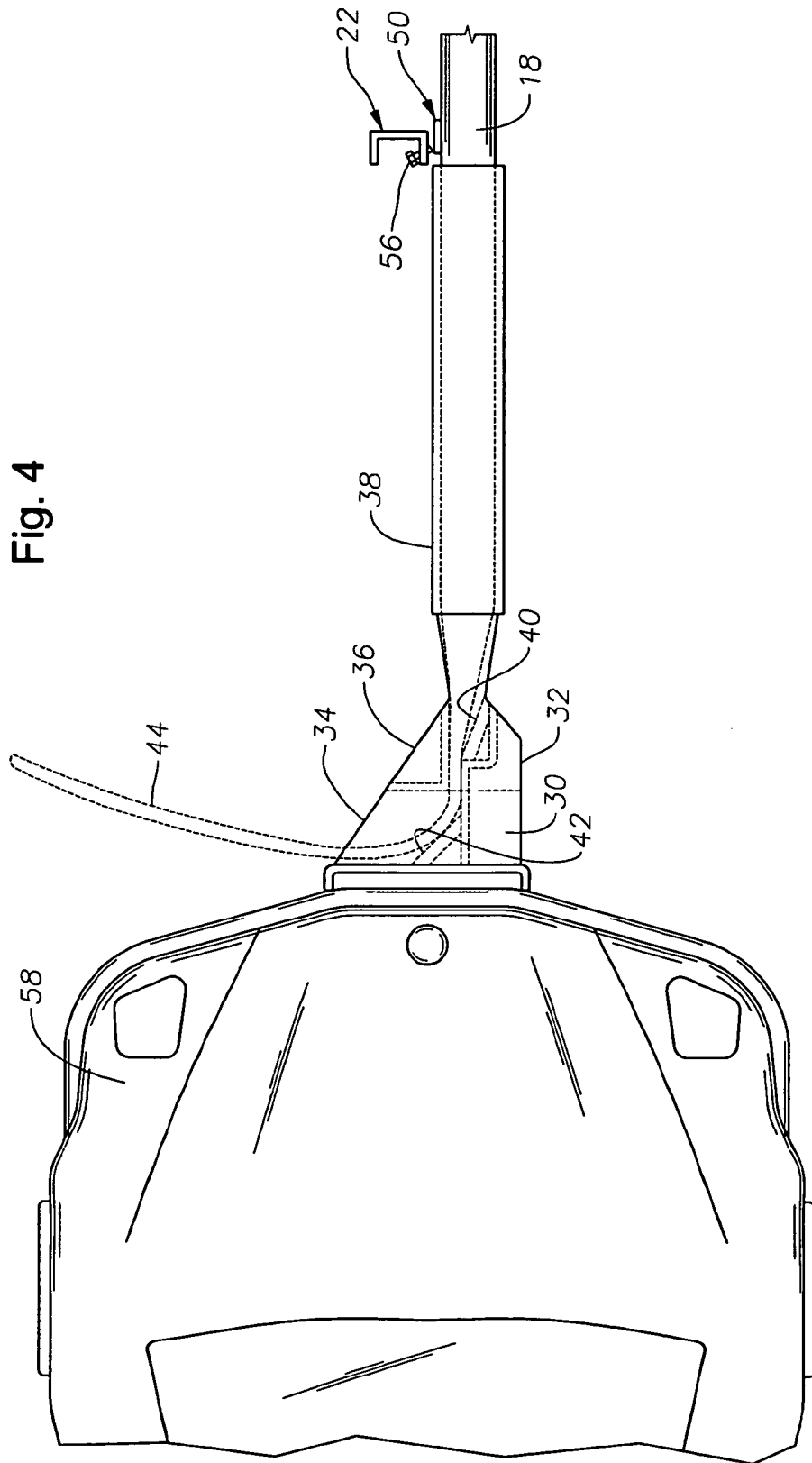
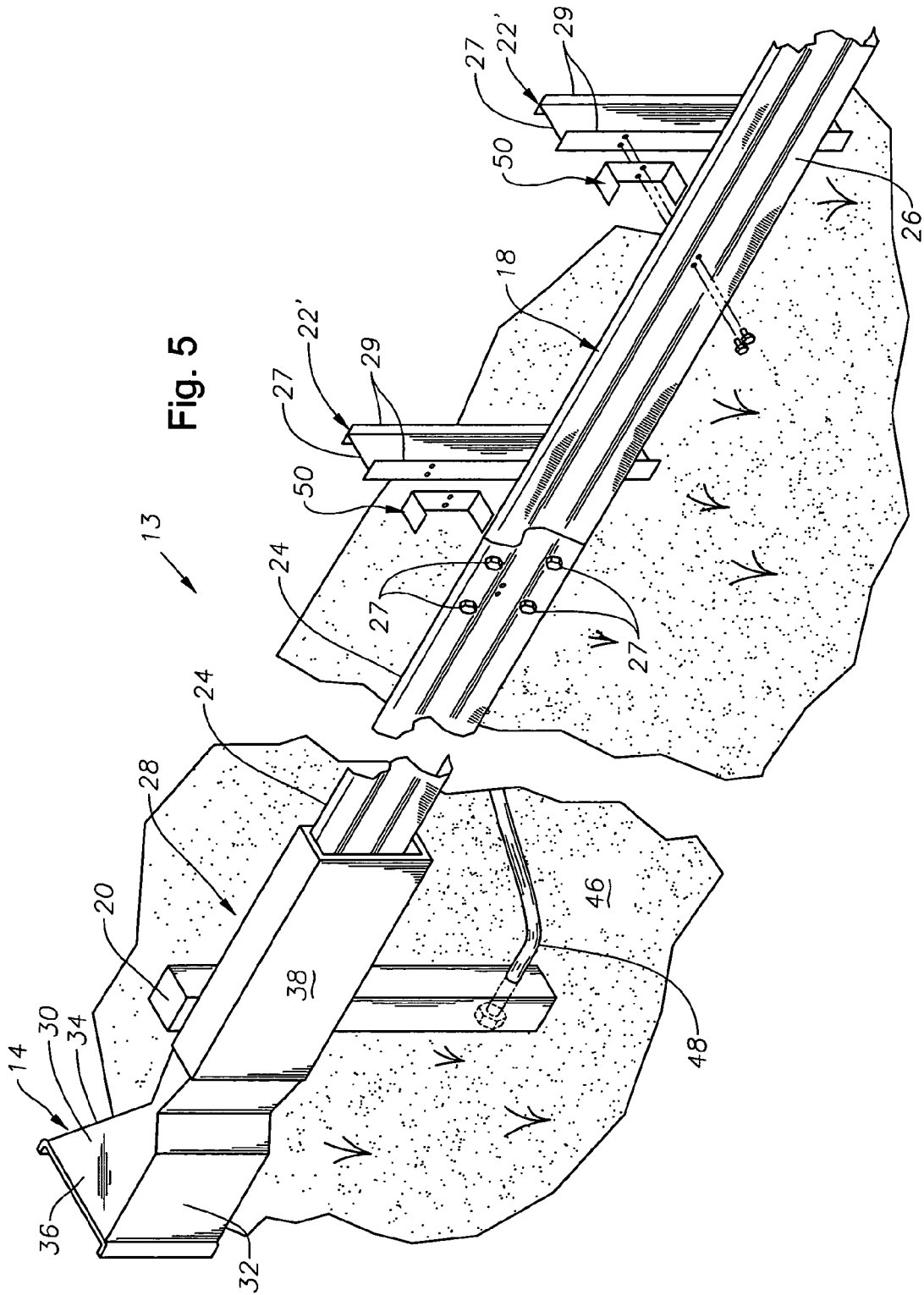
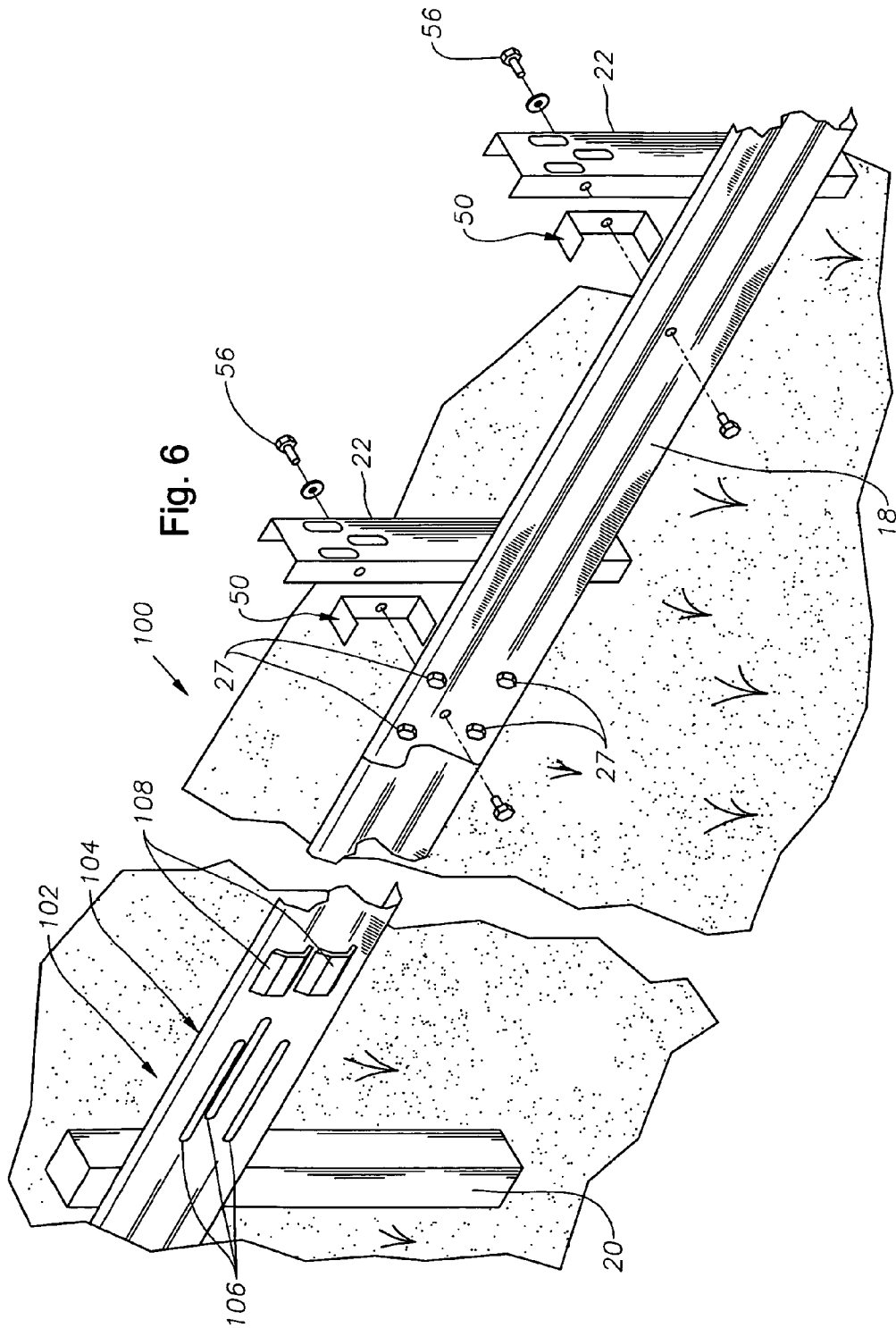


Fig. 3









GUARDRAIL TERMINALS

BACKGROUND

1. Field of the Invention

The present invention generally relates to improvements for guardrail terminal installations and, in particular aspects, the invention relates to improved support posts and support systems for guardrail terminal systems that have safety end treatments.

2. Description of the Related Art

An important aspect of guardrail design is the ability of the guardrail to resist rupture and prevent penetration of the rail by a vehicle that impacts the guardrail end. For that reason, conventional guardrail installations are provided along their lengths with "strong" support posts that provide very little give when impacted by a vehicle. "Strong" support posts include 7" diameter wood posts, W6x9 steel section posts and 6" by 8" wood posts.

Recently, it has also become important that a guardrail installation not present a hazard to a vehicle during an "end-on" impact where the guardrail installation is impacted from its end by a vehicle. As a result, a number of solutions have been proposed and used for eliminating the upraised end of the guardrail for making it safer.

The guardrail extruder terminal (GET) and slotted rail terminal (SRT) are known safety end treatments for a guardrail assembly that permit the guardrail assembly to safely absorb some or all of the vehicle's kinetic energy during an end-on collision, thereby eliminating the hazard associated with the upraised end. These end treatments are desirable because they absorb the energy of an end-on collision in a controlled manner to help bring an impacting vehicle to a safe stop or they allow the vehicle to safely "gate" through the terminal after absorbing some of the vehicle's energy. The GET is described in U.S. Pat. Nos. 5,078,366 and 4,928,928. The SRT is described in U.S. Pat. Nos. 5,547,309 and 5,407,298. Those patents are incorporated herein by reference. These end treatments were originally designed so that the support posts of the terminal would be readily frangible, "breakaway" posts made of wood. Holes were usually drilled through the post near the ground line in order to weaken the post at that point. Guardrail support posts downstream from the terminal are typically solid wooden posts used to securely anchor the midportion of the guardrail assembly to the ground. As the guardrail collapsed or became flattened by the end treatment, the breakaway posts would be broken at or around the ground line.

There are, however, drawbacks to using strong posts along the length of the end-treatment terminal. The strong posts must be weakened in some manner to accommodate end on impacts to the terminal. These modifications are costly and time consuming and, if done improperly or forgotten, can result in a significant safety hazard for motorists.

The inventors believe that, to date, guardrail terminals have used entirely strong support posts that have been modified by drilling holes or using other means to cause the post to breakaway. An improved guardrail installation would be desirable.

SUMMARY OF THE INVENTION

The present invention provides new and innovative devices and methods for supporting guardrail in guardrail terminals that incorporate safety end treatments such as the GET and the SRT. Preferred embodiments are described wherein the guardrail in a terminal is primarily supported above the ground using weak support posts that are preferably made of

metal. The ends of the terminal installation are secured to the ground using breakaway posts and other accessories.

In operation, the weak posts in the downstream portion of the guardrail installation help to contain and redirect a vehicle during a lateral collision to the rail member. The anchorage in part provided by the breakaway end posts helps prevent excessive guardrail displacements that will allow the impacting vehicle to pass over to the opposite side of the guardrail during side or lateral impacts along the length of the terminal.

In other aspects, the invention provides an alternative to use of post weakening mechanisms which results in savings of costs. In operation, terminal assemblies constructed in accordance with the present invention provide an improved support system for the rail member which is more forgiving than conventional strong post support systems, thereby providing an improvement in safety.

At the present time, the invention has particular application in some non-U.S. countries, where it is required or highly preferred that metal support posts be used either completely or primarily within guardrail installations. However, the invention is also applicable to installation within the United States.

BRIEF DESCRIPTION OF THE DRAWINGS

FIG. 1 is an overall plan view of an exemplary guardrail system constructed in accordance with the present invention having a guardrail extruder terminal-type end treatment.

FIG. 2 is a perspective view of the upstream end of the exemplary guardrail system illustrated in FIG. 1.

FIG. 3 is a cutaway detail illustrating interconnection of the rail member to a support post.

FIG. 4 is a plan view illustrating disconnection of a weak support post from the rail member during an end-on collision.

FIG. 5 illustrates an exemplary S3x5.7 steel section post supporting a rail.

FIG. 6 depicts an alternative guardrail installation constructed in accordance with the present invention and having a slotted rail terminal-type end treatment.

DETAILED DESCRIPTION OF THE PREFERRED EMBODIMENTS

Referring initially to FIGS. 1 and 2, there is shown an exemplary guardrail assembly 10 that is constructed in accordance with the present invention. The guardrail assembly 10 runs longitudinally along a section of roadway 12 and has a first, upstream end 14 and a second, downstream end 16. Although the guardrail installation 10 is depicted as being disposed along a straight line, it will be understood that it may be curved as well to conform to the shape of the roadway 12 and may be made of any desired length. The guardrail installation 10 has a central standard guardrail section 11 with guardrail safety end terminals 13 located on either end of the standard section 11. The boundaries between the terminals 13 and the standard guardrail section 11 are illustrated by lines 15 in FIG. 1. The standard section 11 includes a corrugated rail 17 that is supported, in most instances, by strong posts 19.

Each of the guardrail terminals 13 include a substantially continuous, corrugated rail 18 that is supported at its end 14 or 16 by a pair of support posts 20. The rail 18 is supported in each terminal 13 by support posts 22.

FIG. 2 depicts the upstream end 14 of one of the guardrail terminals 13 in greater detail. It is noted that the construction and operation described for the upstream end 14 is representative of both the upstream and downstream ends 14, 16. FIG. 2 illustrates that the rail 18 is made up of corrugated rail

members **24**, **26** that are interconnected, or spliced, to one another using nut and bolt assemblies **27**.

Each terminal **13** of the rail installation **10** includes a safety device, generally depicted at **28** in FIG. **2** which is used to reduce the hazard associated with an upraised guardrail end. In this embodiment, the safety device **28** provides a guardrail extruder terminal impact head **30**. The structure and operation of these type of terminal heads **30** is generally described in U.S. Pat. Nos. 5,078,366 and 4,928,928. FIGS. **2** and **4** illustrate the fact that the traffic side **32** of the head **30** has reduced profile as compared to the non-traffic side **34** of the head **30**. The head **30** is composed of an impact portion **36** and a feeder chute **38** that fits over the end of the rail **18**. As FIG. **4** shows, the head **30** encloses a throat **40** that receives the rail **18** and helps flatten the corrugations in the rail **18**. Additionally, the head **30** includes a curved bending plate **42** that bends and further flattens the rail portion **18**, displacing it laterally away from the head **30**. FIG. **4** illustrates a flattened portion **44** of the rail **18** being displaced laterally away from the head **30**.

Preferably, up to three types of support posts, **20**, **22**, and **19** may be used to support the rails **17** and **18**. Moving downstream from the impact head **30** along the terminal **13**, the first two support posts **20** (only one shown in FIG. **2**) are breakaway post members that provide secure anchorage of the rail **18** to the ground **46**. The anchorage provided by the support posts **20** is required for redirection of vehicles that might impact the rail assembly **10** from the side proximate the end **14**.

A tension cable assembly **48** (shown in FIG. **2**) is disposed through the lead breakaway post **20**. Tension cable assemblies such as assembly **48** are well known in the art and operate to transmit tensile forces applied longitudinally to the rail **18** to the lower end of the lead support post **20**. As a result, the force from lateral impacts to the rail **18** are, in part, transmitted to the lower end of the support posts **20** at either end **14**, **16** of the installation **10**. This helps to securely anchor the rail **18** during such lateral impacts.

The support posts **20**, which are the one or two most extreme posts at either end **14** or **16** of the installation are, as noted, frangible or breakaway in nature. During an end-on impact, then, the supports posts **20** will easily breakaway near the ground line of the post **20** to release the cable **48** and the rail **18** from their anchorage. With when the lead post broken away, the cable assembly **48** will also be released from its attachment to the post **20**. There are a number of post structures that are suitable for use as breakaway posts **20**. In certain, non-U.S. countries, for example, it is desirable and sometimes required to use non-wooden posts for guardrail installations. Thus, a breakaway steel post assembly would be particularly desirable. One example of a suitable steel breakaway post is described in U.S. Pat. No. 5,988,598. Another suitable steel breakaway post is the HBA post, which is marketed commercially by Trinity Industries of Dallas, Tex. In other instances, a wooden breakaway post may be used, although this is not preferred, particularly in many non-U.S. countries where the use of wooden support posts must be minimized or eliminated. The structure and operation of wooden breakaway posts is known and described in U.S. Pat. No. 5,547,309.

Posts **22** located along the length of each terminal **13** downstream from posts **20** along assembly **10**, are unmodified yielding, or "weak," support posts. The term "unmodified," as used herein, refers to a post that has not been subjected to any weakening mechanisms, whether by mechanical, chemical or other means, such as by drilling holes in the post, by notching the post, by incorporating mechanical breakaway devices such as frangible connections, or by incorporating bolts that

shear upon impact. The unmodified weak post, by its inherent cross-sectional properties and material properties, readily yields or is deflected in a collision. It is preferred that the weak posts **22** be formed of metal rather than of wood. An unmodified "weak" support post is a support post that readily yields or is deflected in a collision. Further, an unmodified weak support post is one that will meet "preferred" occupant impact velocity and occupant ridedown acceleration limits, as recommended in NCHRP Report 350 or its successor, when impacted in a direction consistent with the direction it would be impacted in end-on tests of a guardrail terminal by design vehicles recommended in NCHRP Report 350 or its successor, traveling at speeds of approximately 15 mph or greater with the post embedded in soils as recommended in NCHRP Report 350 or its successor. Weak support posts are further characterized by a greater amount of deflection upon impact than strong posts.

In addition, an unmodified weak guardrail post is one that will meet Impact Severity Class A, as specified in CEN prEN 1317-4, Trento, June 1999, or its successor, when impacted in end-on tests of a guardrail terminal by test vehicles specified in CEN prEN 1317-4, Trento, June 1999, or its successor, traveling at speeds or approximately 25 km/h or greater, with the posts embedded in soils as recommended in CEN prEN 1317-4, Trento, June 1999, or its successor.

Examples of commercially available unmodified weak posts are 4" diameter circular wood posts, 4"×6" rectangular wood posts and S3×5.7 steel section posts. It is preferred, particularly for application in many non-U.S. countries, that the weak posts comprise either C-120 or S3×5.7 steel section posts since these posts are not made of wood. Presently, it is highly preferred that the weak posts **22** comprise a C-120-type post, which is a standard Spanish support post. A U-shaped post is illustrated in FIGS. **2**, **3** and **4**. It can be seen that the U-shaped post has a U-shaped cross-section. This U-shape has a weak axis **61** running parallel to the cross-member **25** of the post **22**, and a strong axis **63** running parallel to the two legs **23** of the post **22**. The U-shaped post is, therefore, more easily bent around the weak axis **61** than around the strong axis **63**. As a result, the U-shaped post has the advantageous property of yielding more easily in response to an end-on impact than to a lateral impact upon the rail **18**.

FIG. **5** illustrates an embodiment of the invention wherein the rail **18** is being supported by unmodified posts **22'** that comprise S 3×5.7 steel section post members. The S 3×5.7 steel section post has an H-shaped cross-section made up of a central web **27** and two end flanges **29**. Two connectors **31** are used to affix the rail **18** and bracket **50** to one of the end flanges **29**. As can be seen, the S 3×5.7 post provides the same sort of weak and strong axes as the C-120 post member, and it will also provide the advantage of more readily yielding in response to an end-on collision than a lateral impact to the rail **18**.

Posts **19** located along the central portion of the guardrail installation may be the same as posts **22** or **22'**, or they may be different in size, shape or material.

FIGS. **2** and **3** illustrate the details of attachment of the rail **18** to U-shaped post **22**. A U-shaped standoff bracket **50** is disposed between the rail **18** and each post **22**. The U-shaped bracket **50** has a central web **52** and two legs **54**, as FIG. **3** shows. The bracket **50** is located so that the rail **18** is engaged by portions of the web **52** and each leg **54**. A connector **56**, such as a nut-and-bolt assembly, is disposed through the post **22**, bracket **50** and rail **18** to securely affix the rail to the post **22**. The legs **54** of the bracket **50** provide stiffness to the rail **18** and help to distribute the force of a lateral impact upon different areas of the support post **22**. In testing, the presence

5

of the bracket **50** has been shown to reduce the amount of deflection of the rail **18** in response to a lateral impact. Therefore, the brackets **50** compensate somewhat for the weakness of the weak support posts **22** and help ensure that a laterally impacting vehicle will not rupture or penetrate the rail **18**. In a preferred embodiment of the invention, the support posts **22** that are located 3rd, 5th and 7th from each end **14**, **16** of the rail assembly **10** are not affixed to the rail **18** with connectors. This makes it easier for the rail **18** to feed properly into the impact head **30** since the rail is typically spliced together at these posts. An example of a splice in the rail **18** is shown in FIG. **2** where rail members **24** and **26** are joined by connectors **27**.

FIG. **4** depicts the release of the rail **18** from a weak support post **22** during an end-on impact. As shown there, the impact head **30** has received an end-on impact from vehicle **58** that has driven the head **30** down along the rail **18** thereby flattening and displacing the rail **18** to provide flattened portion **44**. In the position shown, the head **30** has traveled downstream past the locations of the two breakaway posts **20**. The feeder chute **38** of the head **30** has contacted the bracket **50** and the connector **56** passing through the bracket **50** that interconnects the rail **18** to the post **22**. The feeder chute **38** has released the connection. Typically, the connection is released as the connector **56** is pulled through the rail **18**. It is noted that the bracket **50** provides a surface upon which the downstream end of the feeder chute **38** is contacted during the downstream movement of the head **30**. The weak support post **22** will later be bent down from the rail **18** by the impact portion **36** and vehicle **58**. The unmodified weak post **22** typically yields by bending proximate the point at which it is buried in the ground. This bending down is very advantageous as it permits support posts to be readily bent down permitting the impacting vehicle **58** to easily traverse the post in the collision.

Referring now to FIG. **6**, a second embodiment of the invention is described. Like components between the two embodiments are numbered alike. Guardrail installation **100** includes a rail-collapsing slotted rail terminal (SRT)-type end treatment **102** at its upstream end **14**. The construction and operation of SRT end treatments is, as noted previously, described in U.S. Pat. Nos. 5,547,309 and 5,407,298. The SRT end treatment **102** features several slotted sections **104** (only one shown) in the rail **18**. The slotted section **102** contains three longitudinal slots **106** that are cut into the rail **18** to weaken its ability to structurally withstand an end-on impact. Slot guards **108** are located at the downstream end of the slots **106**.

The guardrail installation **100** should, in response to a lateral impact upon the rail **18**, react in the same manner as the installation **10** described earlier. The weak posts **22** will yield or be deflected thereby softening the impact for the impacting vehicle. In an end-on impact, the SRT end treatment **102** will result in axial collapse of the rail **18**. The rail **18** will be released from the weak support posts **22** as the connectors **56** are pulled out of the rail **18**.

A principal advantage is that guardrail installations constructed in accordance with the present invention are more forgiving during an impact to the lateral side thereby resulting in less damage to impacting vehicles and their passengers. Strong wooden support posts used in conventional systems do not easily yield in a collision and thus cause significant damage to the impacting vehicle. At the same time, the weak posts **20** used in the invention are capable of arresting an impacting vehicle that would impact the lateral side of the rail **18**. This capability is provided, in part, by the brackets **50** and the anchorage afforded the system by the tension cable assembly

6

48. A further considerable advantage provided by the present invention is the savings in cost over installations that utilize more expensive strong wooden posts.

While the invention has been shown or described in only some of its forms, it should be apparent to those skilled in the art that it is not so limited, but is susceptible to other various changes without departing from the scope of the invention.

What is claimed is:

1. A system for supporting a guardrail terminal having a safety end treatment, comprising: an upstream end of a rail member associated with the safety end treatment; a breakaway support post configured to support the upstream end; and an unmodified weak support post downstream from the breakaway support post, the unmodified weak support post having an upper portion configured to couple to a portion of the rail member adjacent the upstream end and a lower portion adapted to embed into the earth, the unmodified weak support post configured to bend proximate a point at which the unmodified weak support post embeds the earth without being subject to any weakening mechanisms; and wherein the unmodified weak support post comprises: a first dimension measured in a direction that is parallel to the rail member; and a second dimension measured in a direction that is perpendicular to the rail member, and wherein the first dimension is less than the second dimension to provide the unmodified weak support post with a weak axis running perpendicular to the portion of the rail member and strong axis running parallel to the portion of the rail member, wherein the unmodified weak support post is selected from the group consisting of a C 120 metal post and S3×5.7 steel section post.

2. The system of claim **1**, further comprising one or more connectors adapted to couple the upper portion of the unmodified weak support post to the portion of the rail member.

3. The system of claim **2**, further comprising a bracket disposed between the unmodified weak support post and the portion of the rail member.

4. The system of claim **1**, wherein the safety end treatment comprises a guardrail extruder terminal.

5. The system of claim **4**, wherein the guardrail extruder terminal comprises an impact head having a reduced traffic side profile.

6. The system of claim **1**, wherein the safety end treatment comprises a slotted rail terminal.

7. A guardrail terminal, comprising: a portion of a rail member having an upstream end; a safety end treatment coupled to the upstream end; a breakaway support post supporting the upstream end; and an unmodified weak support post supporting the portion of the rail member adjacent the upstream end, the unmodified weak support post having a first dimension measured in a direction that is parallel to the rail member and a second dimension measured in a direction that is perpendicular to the rail member, the unmodified weak support post configured to bend about the weak axis proximate a point at which the unmodified weak support post embeds in the earth without being subject to any weakening mechanisms; and wherein the first dimension is less than the second dimension to provide the unmodified weak support post with a weak axis running perpendicular to the portion of the rail member and strong axis running parallel to the portion of the rail member, wherein the unmodified weak support post is selected from the group consisting of a C 120 metal post and S3×5.7 steel section post.

8. The guardrail terminal of claim **7**, wherein the breakaway support post is formed of metal.

9. The guardrail terminal of claim **7**, wherein the safety end treatment comprises a guardrail extruder terminal.

7

10. The guardrail terminal of claim 7, wherein the safety end treatment comprises a slotted rail terminal.

11. A guardrail assembly, comprising: a central section disposed between two end terminal sections, each end terminal section comprising: a portion of a rail member; a safety end treatment coupled to a first end of the portion of the rail member; a breakaway support post supporting the first end; and an unmodified weak support post supporting a second end of the portion of the rail member adjacent the first end, the unmodified weak support post configured to bend proximate a point at which the unmodified weak support post embeds the earth without being subject to any weakening mechanisms; and wherein the unmodified weak support post comprises: a first dimension measured in a direction that is parallel to the rail member; and a second dimension measured in a direction that is perpendicular to the rail member, and wherein the first dimension is less than the second dimension to provide the unmodified weak support post with a weak axis running perpendicular to the portion of the rail member and strong axis running parallel to the portion of the rail member, wherein the unmodified weak support post is selected from the group consisting of a C 120 metal post and S3x5.7 steel section post.

12. The assembly of claim 11, wherein the safety end treatment is selected from the group consisting of a guardrail extruder terminal and a slotted rail terminal.

8

13. A system for supporting a guardrail terminal having a safety end treatment, comprising: an upstream end of a rail member associated with the safety end treatment; a breakaway support post supporting the upstream end; and an unmodified weak support post downstream from the breakaway support post, the unmodified weak support post comprising: a first dimension measured in a direction that is parallel to the rail member; a second dimension measured in a direction that is perpendicular to the rail member; an upper portion configured to couple to a portion of the rail member adjacent the upstream end; and a lower portion adapted to embed into the earth, the lower portion configured to bend proximate a point at which it embeds in the earth without being subjected to any weakening mechanisms; and wherein the first dimension is less than the second dimension to provide the unmodified weak support post with a weak axis running perpendicular to the portion of the rail member and strong axis running parallel to the portion of the rail member, wherein the unmodified weak support post is selected from the group consisting of a C 120 metal post and S3x5.7 steel section post.

* * * * *