



US006336317B1

(12) **United States Patent**
Holtzapple et al.

(10) **Patent No.: US 6,336,317 B1**
(45) **Date of Patent: Jan. 8, 2002**

(54) **QUASI-ISOTHERMAL BRAYTON CYCLE ENGINE**

FOREIGN PATENT DOCUMENTS

(75) Inventors: **Mark T. Holtzapple; G. Andrew Rabroker**, both of College Station, TX (US)

AU	20406/29	*	12/1929	418/166
DE	4023299		2/1991		
JP	405079464 A	*	3/1993	418/171
JP	405001674 A	*	8/1993	418/171

(73) Assignee: **The Texas A&M University System**, College Station, TX (US)

OTHER PUBLICATIONS

(*) Notice: Subject to any disclaimer, the term of this patent is extended or adjusted under 35 U.S.C. 154(b) by 0 days.

Churchill et al., "Chemical Kinetics, Fluid Mechanics and Heat Transfer in the Fast Lane, The Unexpurgated Story of a Long-Range Program of Research in Combustion," *The Eighth J.D. Lindsay Lecture*, pp. 1-22.

Primary Examiner—Thomas Denion
Assistant Examiner—Thai-Ba Trieu
(74) *Attorney, Agent, or Firm*—Baker Botts L.L.P.

(21) Appl. No.: **09/363,818**

(57) **ABSTRACT**

(22) Filed: **Jul. 30, 1999**

Related U.S. Application Data

(60) Provisional application No. 60/094,920, filed on Jul. 31, 1998.

An engine is disclosed. According to one embodiment of the present invention, the engine comprises a compressor, and combustor, and an expander. The compressor compresses ambient air. The combustor burns the compressed air, and produces exhaust gasses. The expander receives the exhaust gases from the combustor, and expands the exhaust gasses. The compressor may be a gerotor compressor or a piston compressor having variable-dead-volume control. The expander may be a gerotor expander or a piston expander having variable-dead-volume control. In another embodiment, an engine comprises a piston compressor, a combustor, a piston expander, and a pressure tank. The piston compressor compresses ambient air. The combustor burns the compressed air, and produces exhaust gasses. The piston expander receives the exhaust gasses from the combustor, and expands the exhaust gasses. The pressure tank receives and stores the compressed air from the compressor. In another embodiment, a gerotor compressor or a gerotor expander comprises an inner gerotor, and an outer gerotor. The inner gerotor and the outer gerotor are driven so that they do not touch. The gerotors may be cantilevered or non-cantilevered.

(51) **Int. Cl.**⁷ **F02C 3/00**; F01C 1/10

(52) **U.S. Cl.** **60/39.63**; 60/39.6; 418/171; 418/166; 417/274; 91/173

(58) **Field of Search** 60/39.63, 39.6; 418/171, 166; 417/274; 91/173

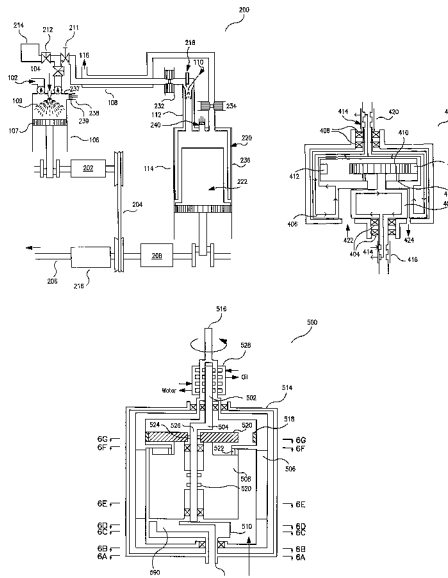
(56) **References Cited**

U.S. PATENT DOCUMENTS

457,294 A	8/1891	Tilden
2,011,338 A	8/1935	Hill
2,138,490 A	11/1938	Haller
2,240,056 A	4/1941	Schmitz
2,291,354 A	7/1942	Sibley
2,373,368 A	4/1945	Witchger
2,459,447 A	1/1949	Milliken
2,601,397 A	6/1952	Hill et al.
2,938,663 A	5/1960	Lück

(List continued on next page.)

20 Claims, 18 Drawing Sheets



U.S. PATENT DOCUMENTS					
			4,696,158 A	9/1987	DeFrancisco
			4,759,178 A	7/1988	Joy
			4,836,760 A	6/1989	MacLeod
2,965,039 A	12/1960	Morita	4,958,997 A *	9/1990	Harwath 418/171
2,974,482 A	3/1961	Kelley	4,976,595 A *	12/1990	Taniguchi 418/171
3,167,913 A	2/1965	Mühlberg et al.	4,986,739 A	1/1991	Child
3,273,341 A	9/1966	Wildhaber	5,074,110 A	12/1991	Singh
3,844,117 A	10/1974	Ryan	5,101,782 A	4/1992	Yang
3,932,987 A	1/1976	Munzinger	5,271,215 A	12/1993	Guillet
3,995,431 A	12/1976	Schwartzman	5,311,739 A	5/1994	Clark 60/39.6
4,023,366 A	5/1977	Schneider	5,472,329 A	12/1995	Maynard et al.
4,058,938 A	11/1977	Harle et al.	5,522,356 A	6/1996	Palmer
4,199,305 A *	4/1980	Pareja 418/171	5,538,073 A	7/1996	Stopa
4,336,686 A	6/1982	Porter	5,557,921 A	9/1996	Fruttschi et al.
4,439,119 A	3/1984	Petersen et al.	5,622,044 A	4/1997	Bronicki et al.
4,478,553 A	10/1984	Leibowitz et al.	5,634,339 A	6/1997	Lewis et al.
4,502,284 A	3/1985	Chrisoghilos	5,682,738 A	11/1997	Barber
4,519,206 A	5/1985	van Michaels	5,755,196 A	5/1998	Klassen
4,553,513 A	11/1985	Miles et al.	5,761,898 A	6/1998	Barnes et al.
4,578,955 A	4/1986	Medina			
4,657,009 A	4/1987	Zen			
4,674,960 A *	6/1987	Rando et al. 418/206.8			* cited by examiner

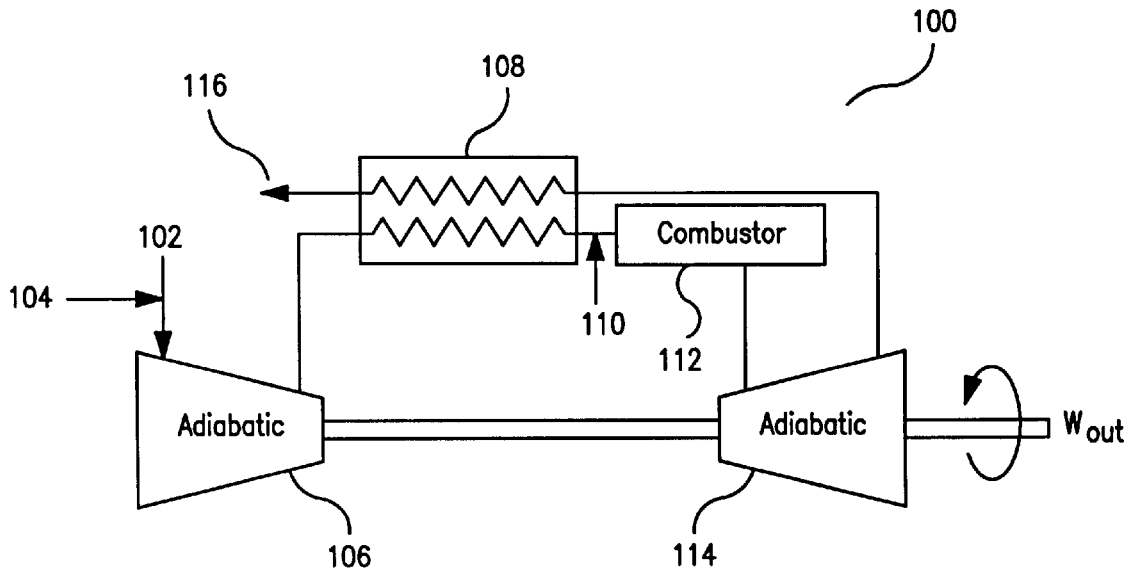


FIG. 1

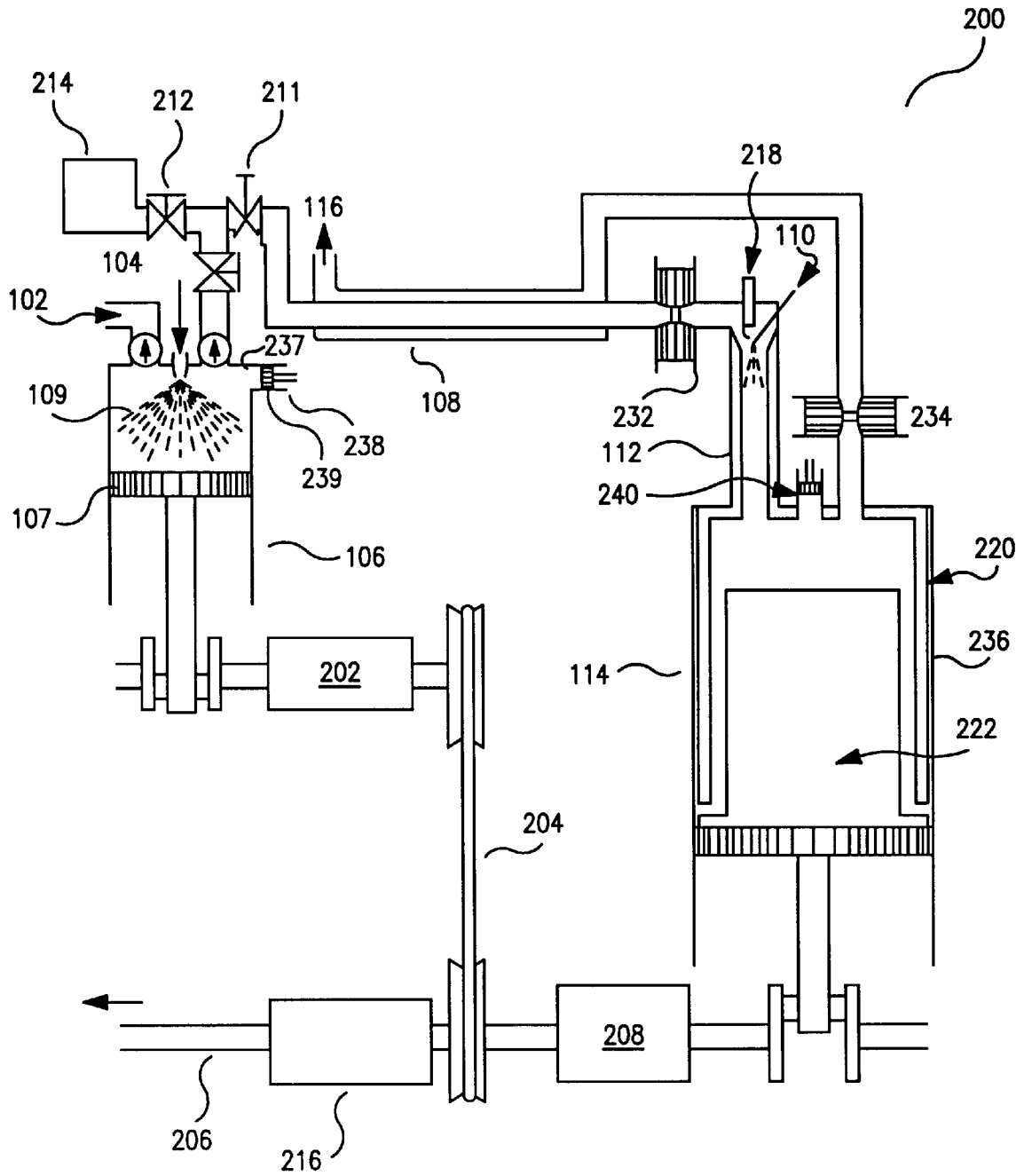


FIG. 2

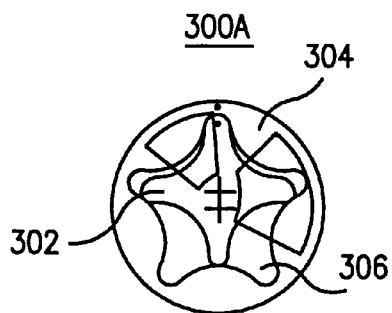


FIG. 3a

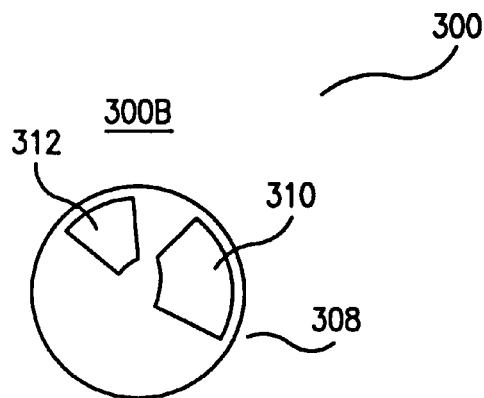


FIG. 3b

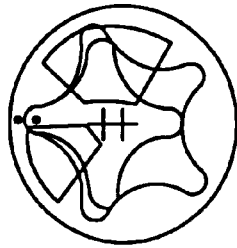


FIG. 3c



FIG. 3d



FIG. 3e

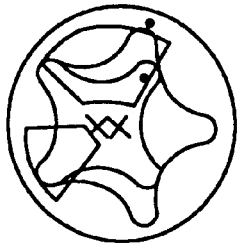


FIG. 3f

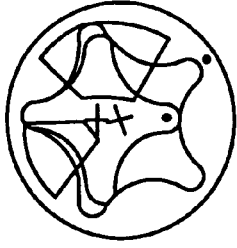


FIG. 3g

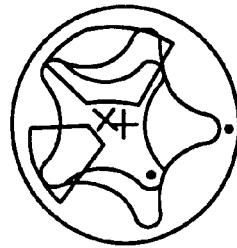


FIG. 3h

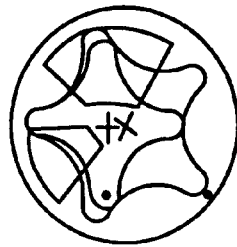


FIG. 3i

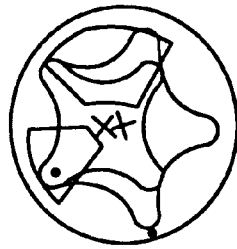


FIG. 3j

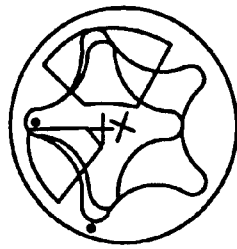


FIG. 3k

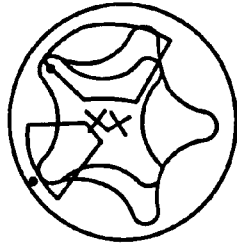


FIG. 3l

300

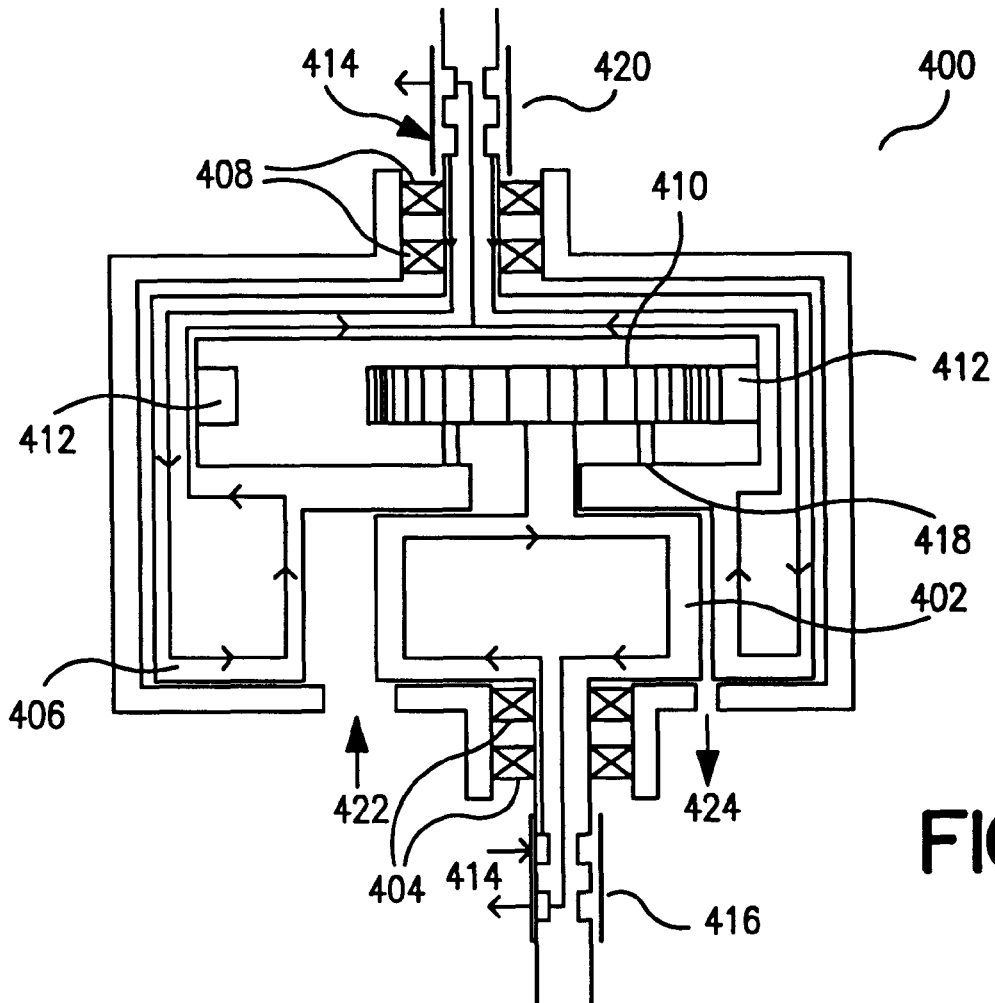


FIG. 4

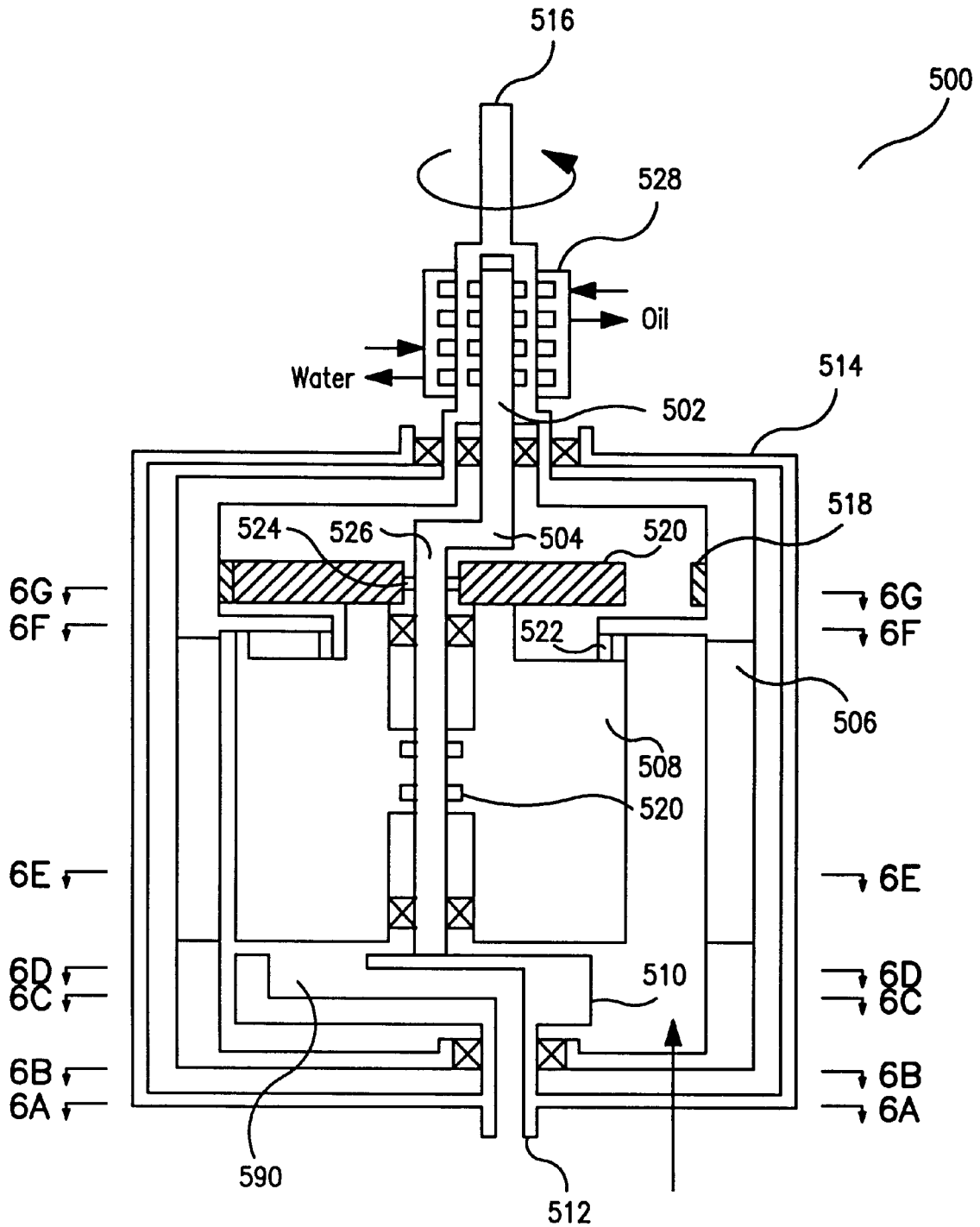


FIG. 5

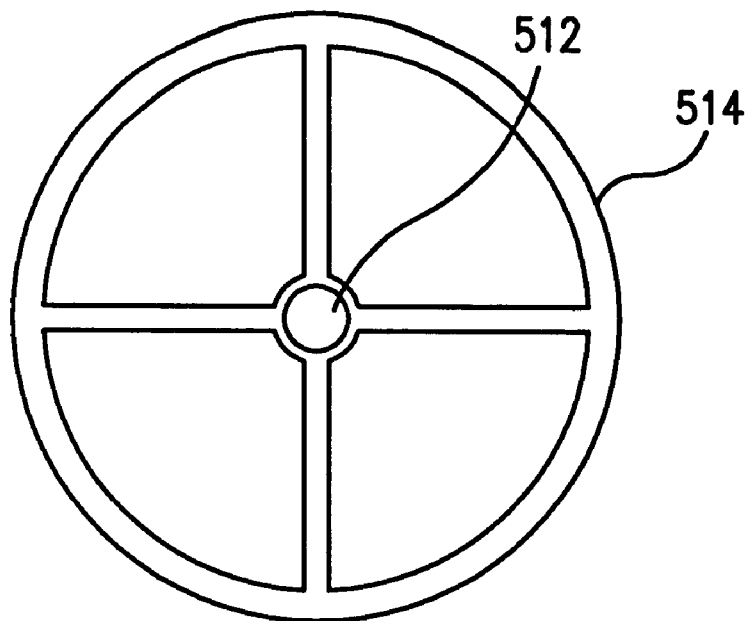


FIG. 6a

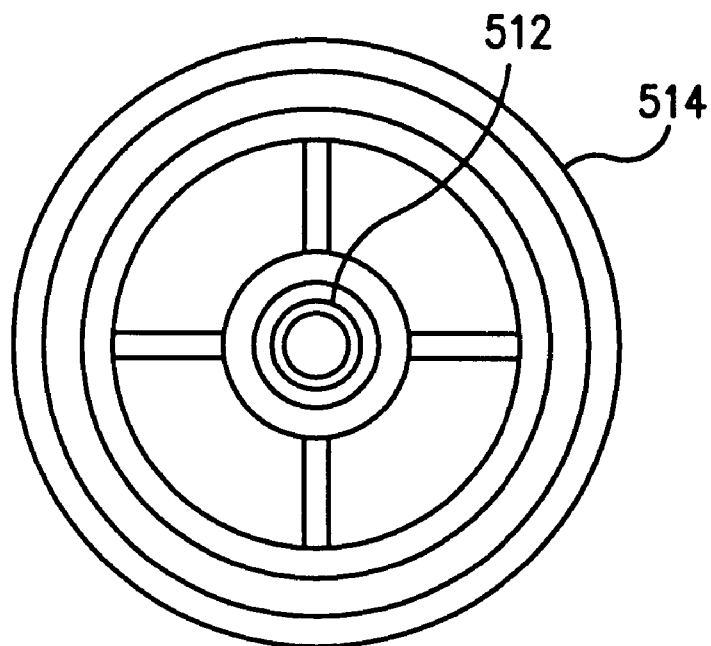


FIG. 6b

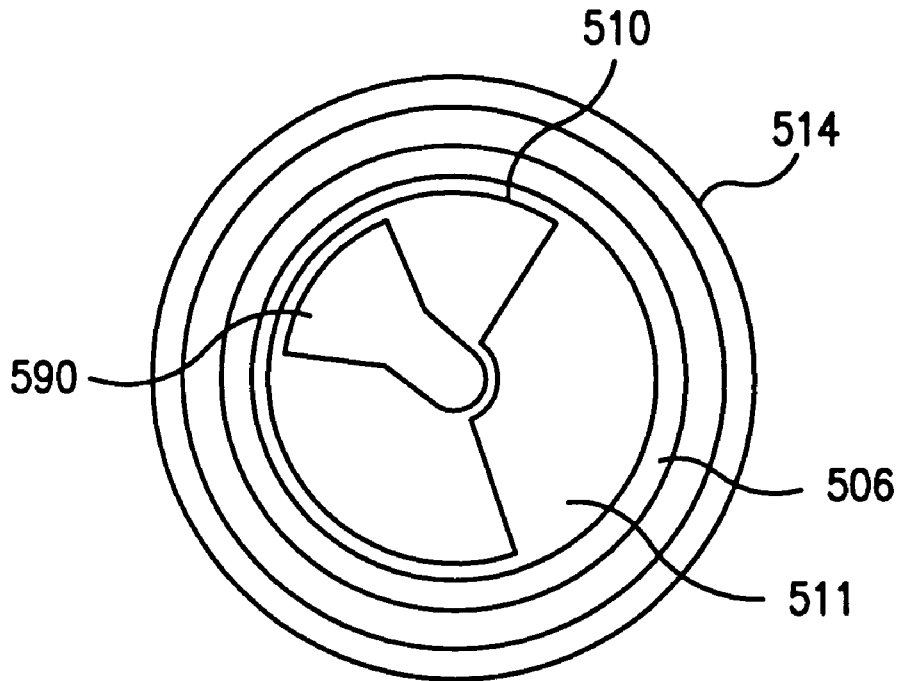


FIG. 6c

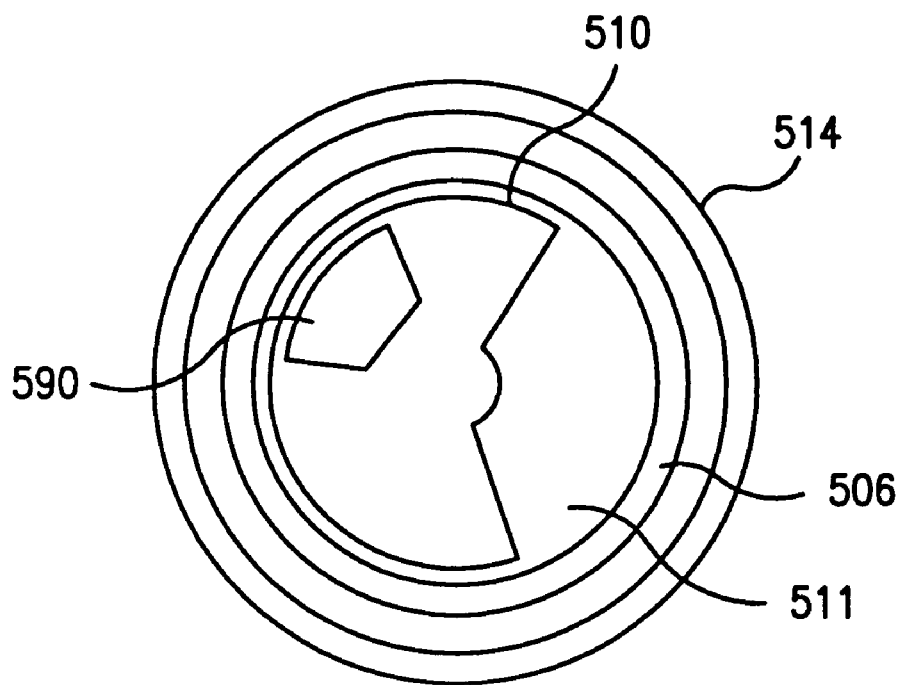


FIG. 6d

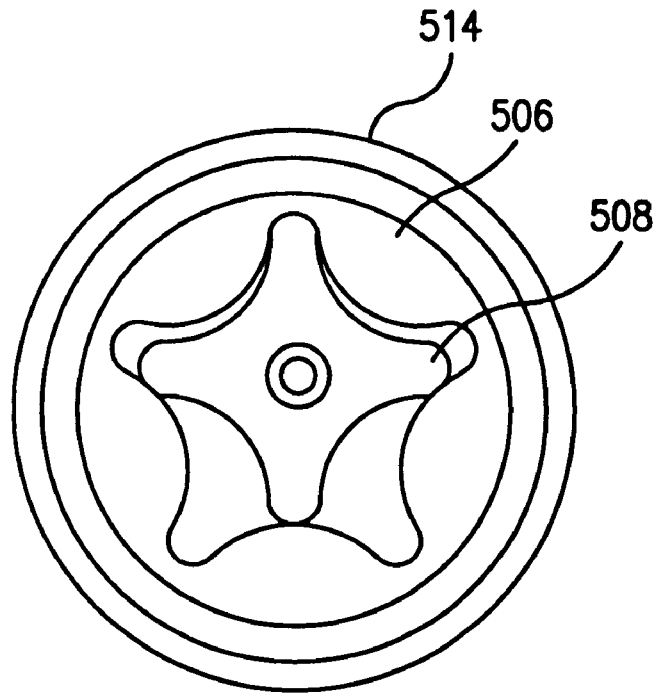


FIG. 6e

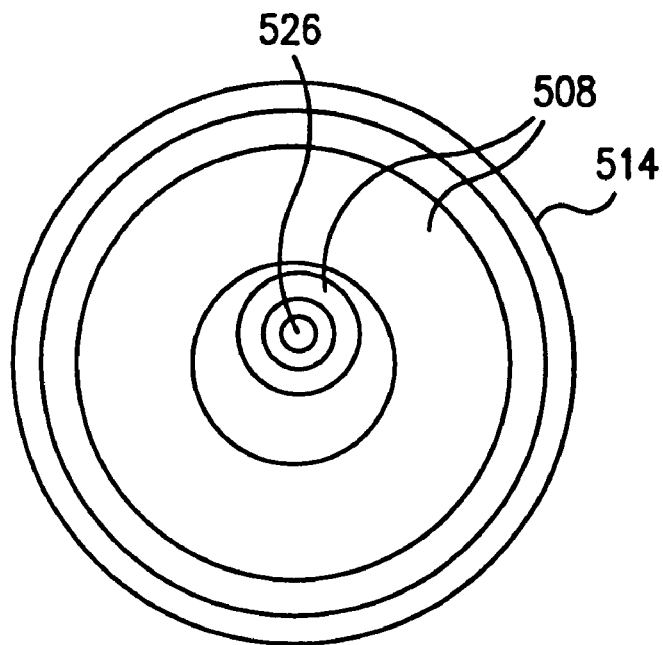


FIG. 6f

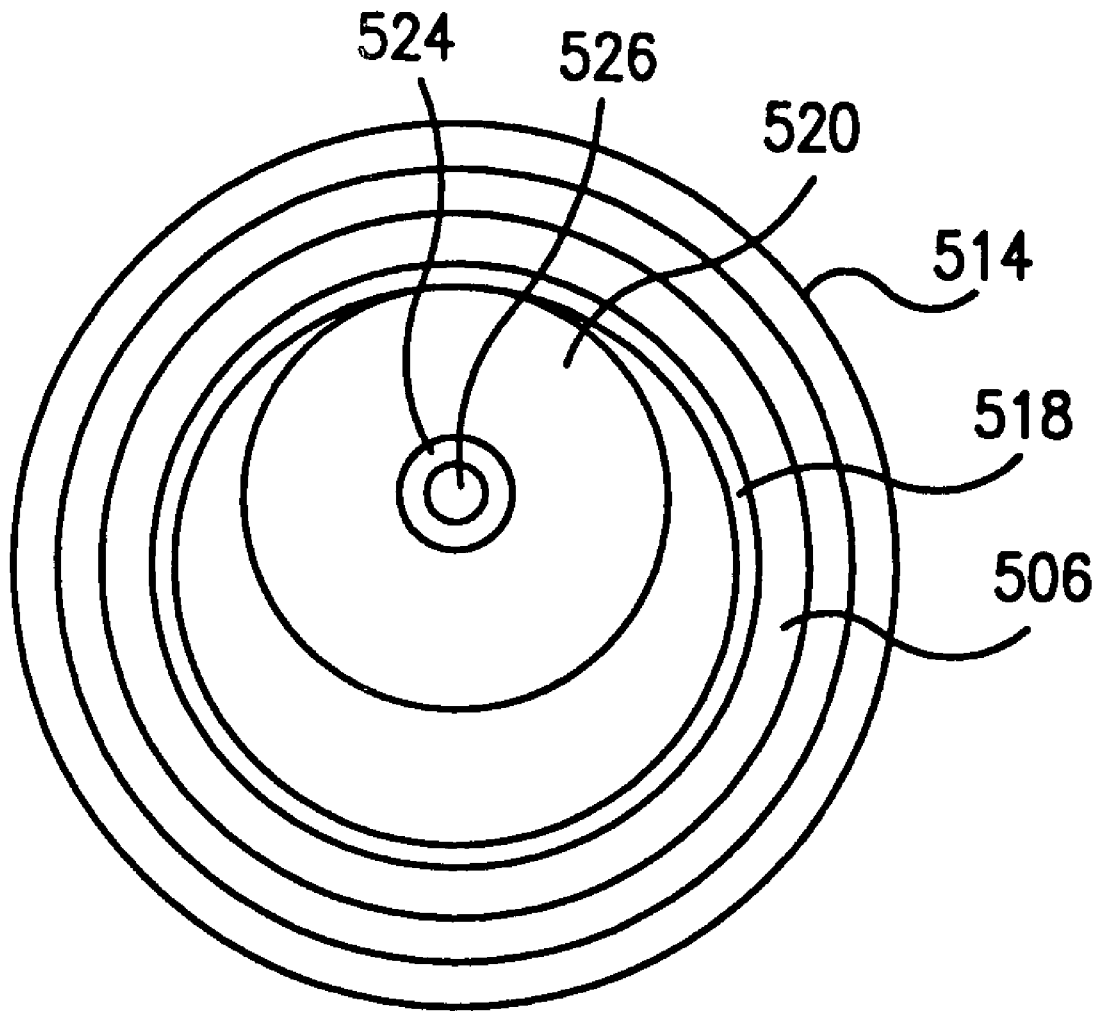


FIG. 6g

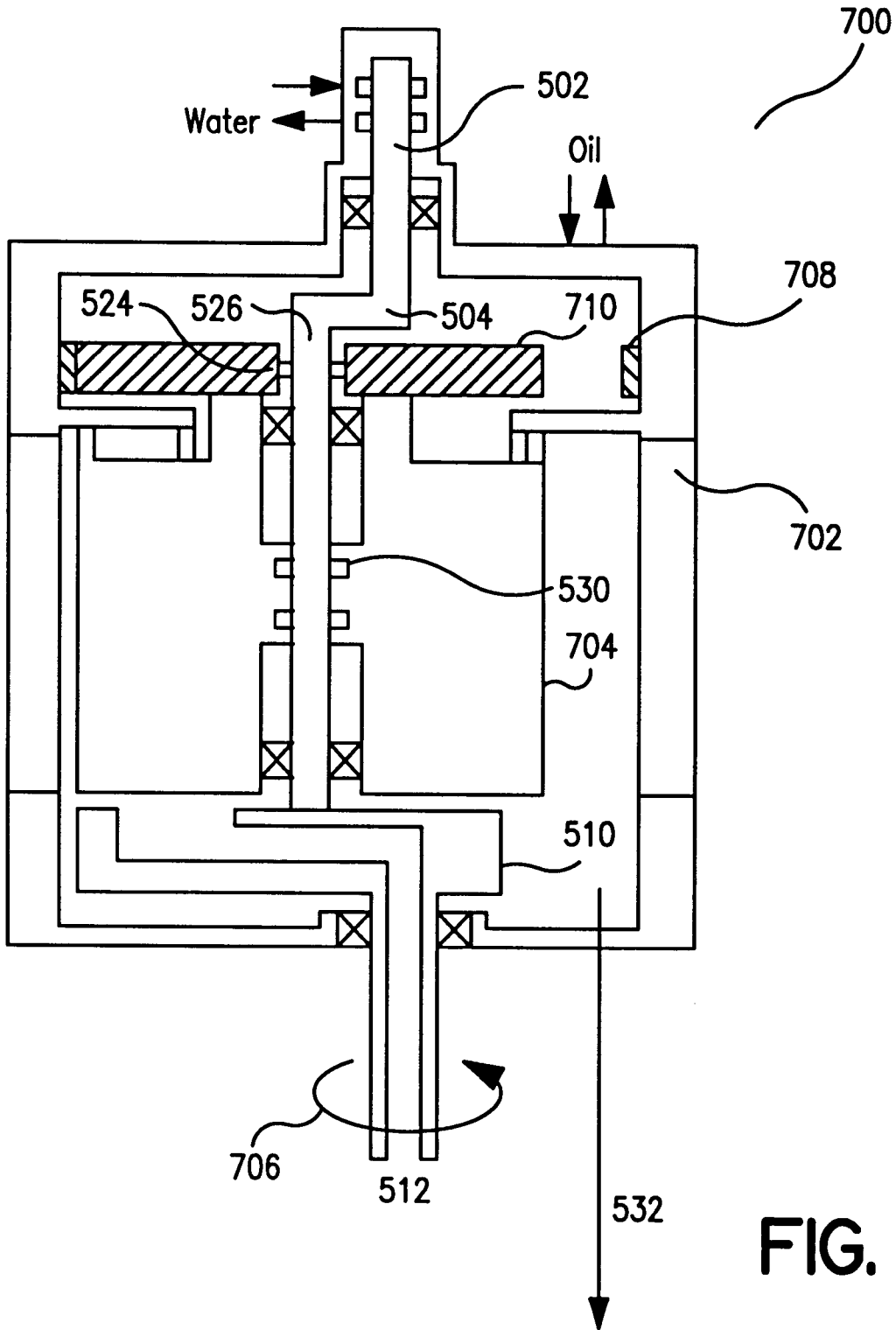


FIG. 7

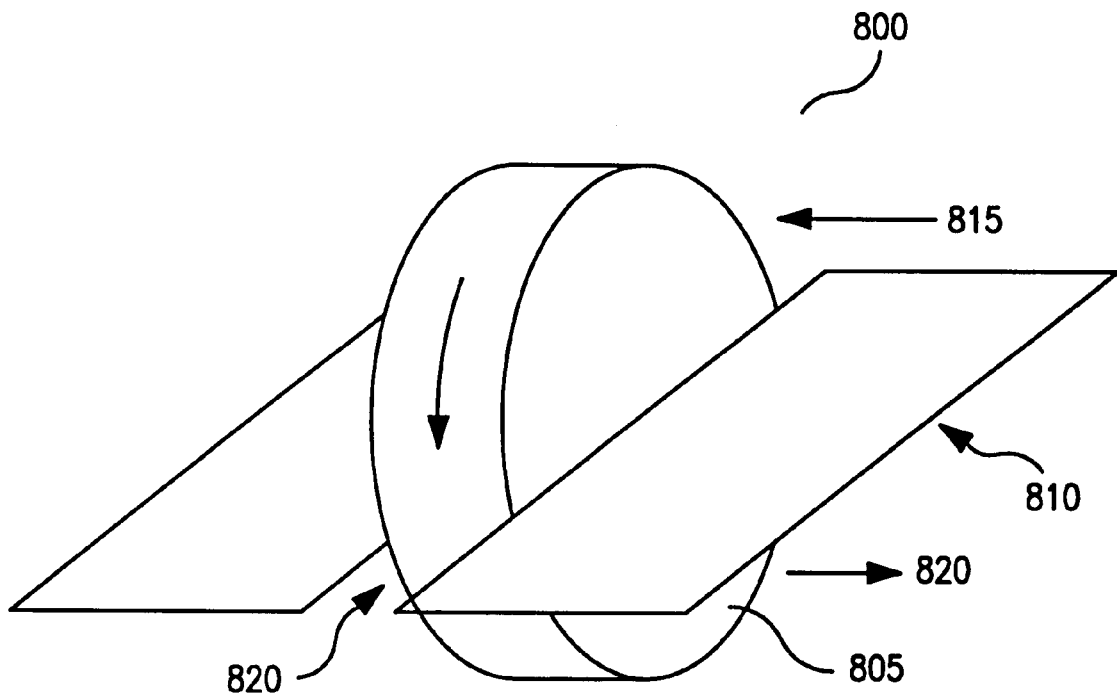


FIG. 8

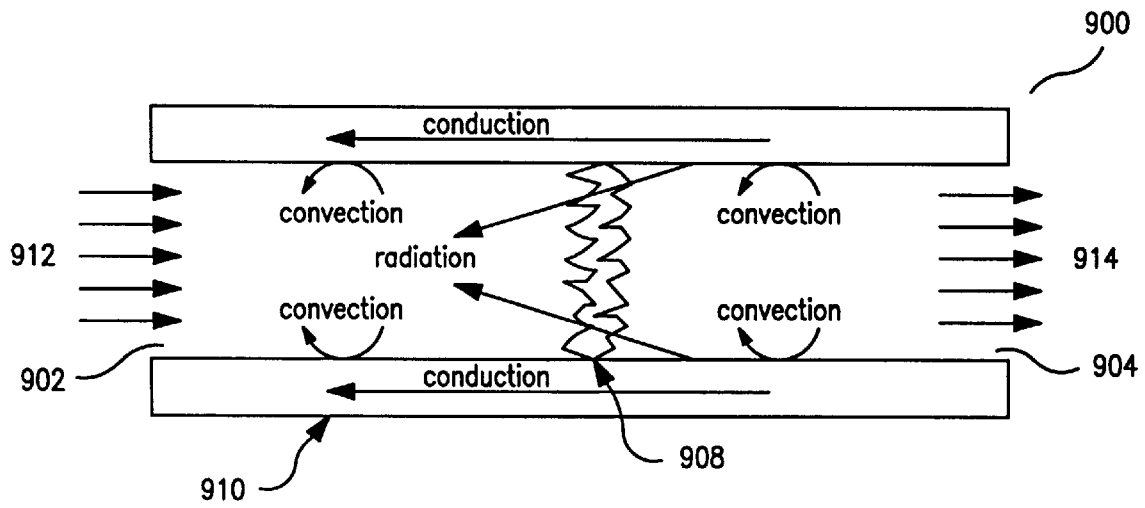


FIG. 9

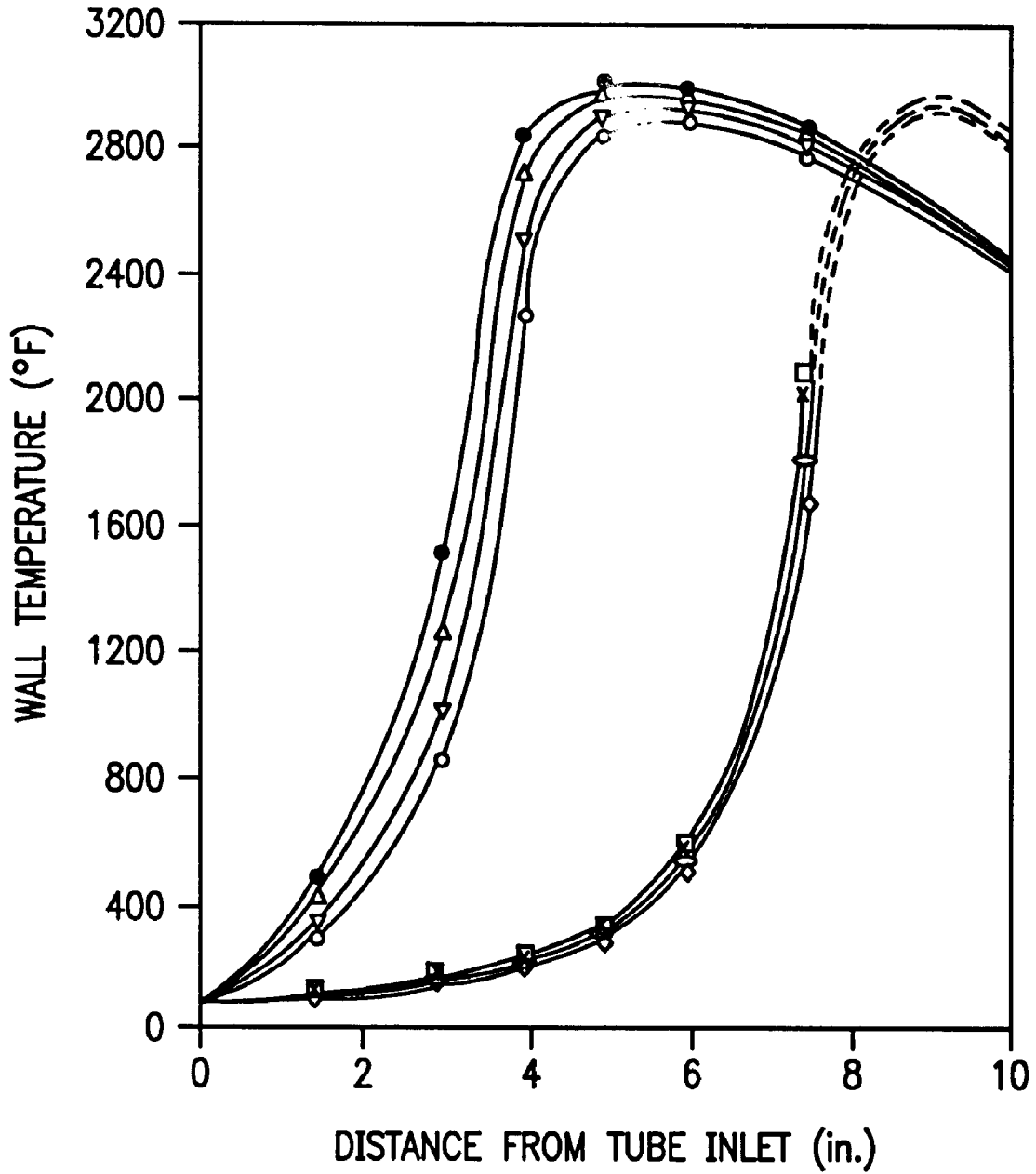


FIG. 10

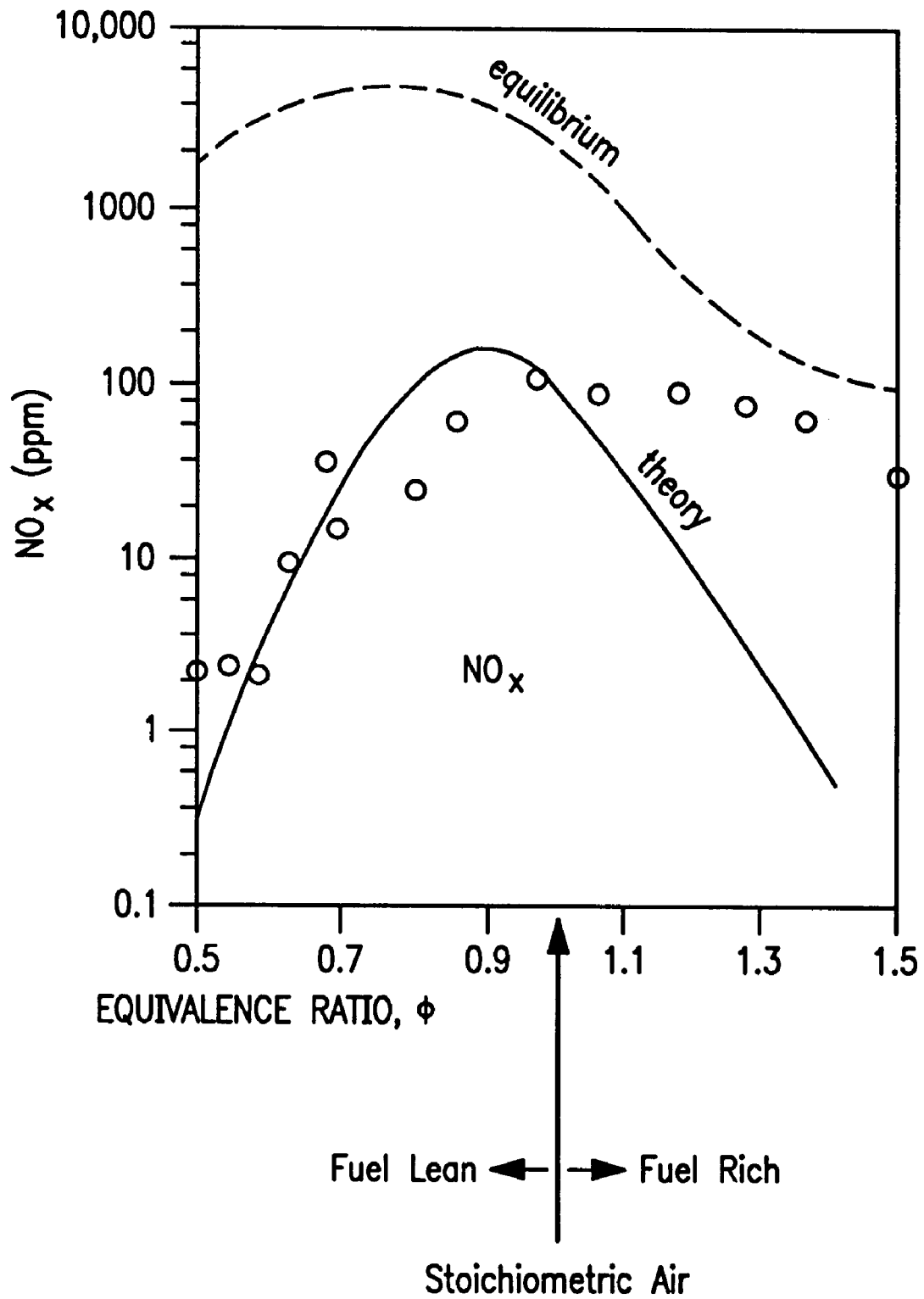


FIG. 11

Compressor

[0.3 m]
(0.2 m)

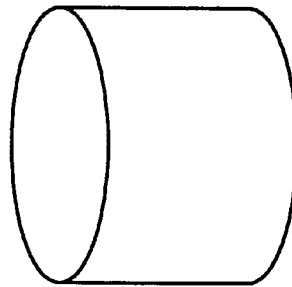


FIG. 12a

Expander

[0.45 m]
(0.3 m)

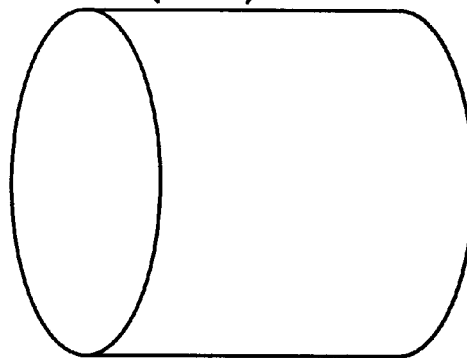


FIG. 12b

[]=3000 rpm
()=10,000 rpm

[0.4 m]
(0.25 m)

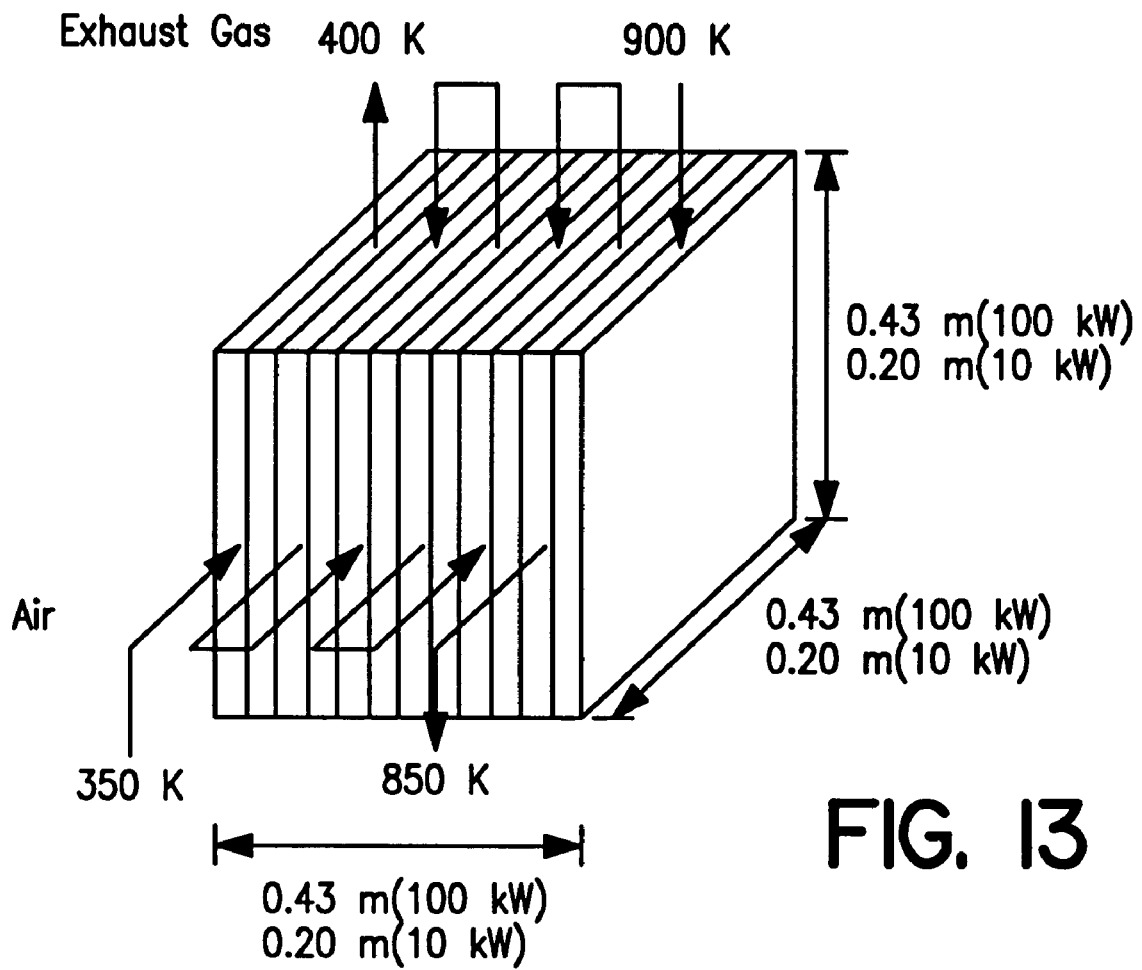


FIG. 13

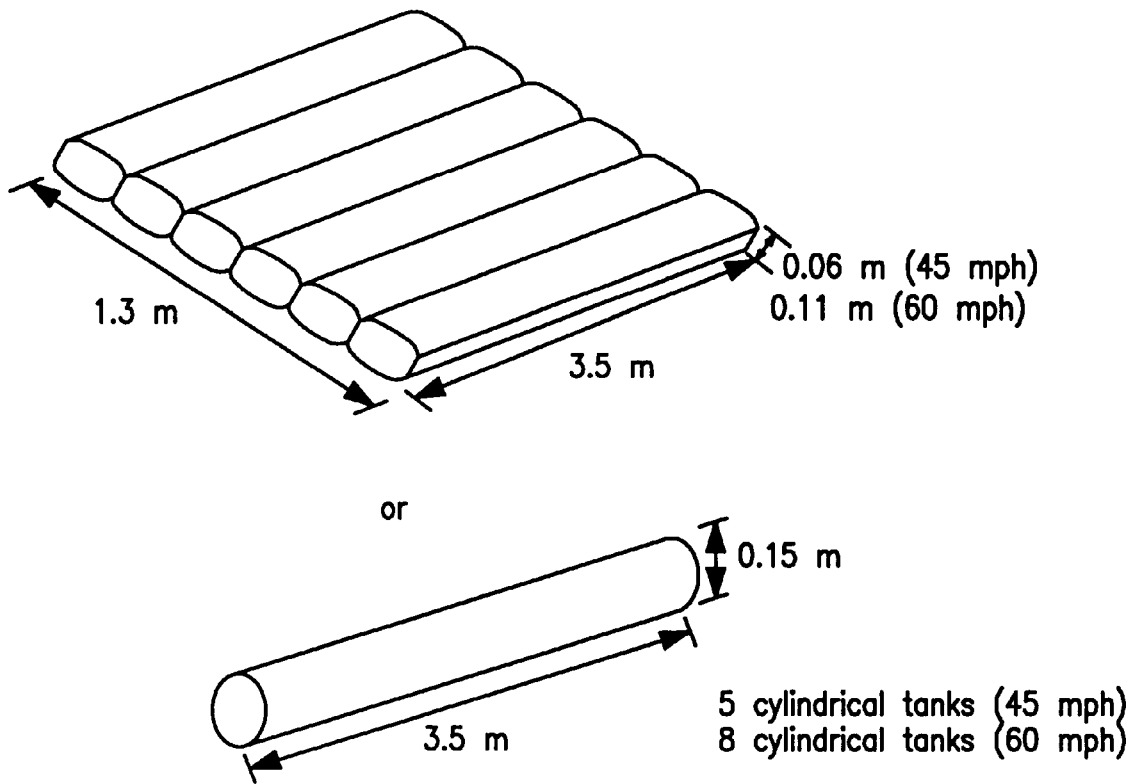


FIG. 14

QUASI-ISOTHERMAL BRAYTON CYCLE ENGINE

This application claims priority from, and incorporates by reference, in its entirety, U.S. Provisional Patent Application No. 60/094,920, filed Jul. 31, 1998.

BACKGROUND OF THE INVENTION

1. Field of the Invention

The invention relates generally to the field of power systems, and, more particularly, to a Quasi-Isothermal Brayton Cycle power system.

2. Description of the Related Art

For mobile applications, such as an automobile or truck, generally it is desirable to use a heat engine that has the following characteristics:

Internal combustion to reduce the need for heat exchangers;

Complete expansion for improved efficiency;

Isothermal compression and expansion;

High power density;

High-temperature expansion for high efficiency;

Ability to efficiently "throttle" the engine for part-load conditions;

High turn-down ratio (i.e., the ability to operate at widely ranging speeds and torques);

Low pollution;

Uses standard components with which the automotive industry is familiar;

Multifuel capability; and

Regenerative braking.

There are currently several types of heat engines, each with its own characteristics and cycles. These heat engines include the Otto Cycle engine, the Diesel Cycle engine, the Rankine Cycle engine, the Stirling Cycle engine, the Erickson Cycle engine, the Carnot Cycle engine, and the Brayton Cycle engine. A brief description of each engine is provided below.

The Otto Cycle engine is an inexpensive, internal combustion, low-compression engine with a fairly low efficiency. This engine is widely used to power automobiles.

The Diesel Cycle engine is a moderately expensive, internal combustion, high-compression engine with a high efficiency that is widely used to power trucks and trains.

The Rankine Cycle engine is an external combustion engine that is generally used in electric power plants. Water is the most common working fluid.

The Erickson Cycle engine uses isothermal compression and expansion with constant-pressure heat transfer. It may be implemented as either an external or internal combustion cycle. In practice, a perfect Erickson cycle is difficult to achieve because isothermal expansion and compression are not readily attained in large, industrial equipment.

The Carnot Cycle engine uses isothermal compression and adiabatic compression and expansion. The Carnot Cycle may be implemented as either an external or internal combustion cycle. It features low power density, mechanical complexity, and difficult-to-achieve constant-temperature compressor and expander.

The Stirling Cycle engine uses isothermal compression and expansion with constant-volume heat transfer. It is almost always implemented as an external combustion cycle. It has a higher power density than the Carnot cycle, but it is difficult to perform the heat exchange, and it is difficult to achieve constant-temperature compression and expansion.

The Stirling, Erickson, and Carnot cycles are as efficient as nature allows because heat is delivered at a uniformly high temperature, T_{hot} , during the isothermal expansion, and rejected at a uniformly low temperature, T_{cold} , during the isothermal compression. The maximum efficiency, η_{max} , of these three cycles is:

$$\eta_{max} = 1 - \frac{T_{cold}}{T_{hot}}$$

This efficiency is attainable only if the engine is "reversible," meaning that the engine is frictionless, and that there are no temperature or pressure gradients. In practice, real engines have "irreversibilities," or losses, associated with friction and temperature/pressure gradients.

The Brayton Cycle engine is an internal combustion engine that is generally implemented with turbines, and is generally used to power planes and some electric power plants. The Brayton cycle features very high power density, normally does not use a heat exchanger, and has a lower efficiency than the other cycles. When a regenerator is added to the Brayton cycle, however, the cycle efficiency is increased. Traditionally, the Brayton cycle is implemented using axial-flow, multi-stage compressors and expanders. These devices are generally suitable for aviation in which aircraft operate at fairly constant speeds; they are generally not suitable for most transportation applications, such as automobiles, buses, trucks, and trains, that must operate over widely varying speeds.

The Otto cycle, the Diesel cycle, the Brayton cycle, and the Rankine cycle all have efficiencies less than the maximum because they do not use isothermal compression and expansion steps. Further, the Otto and Diesel cycle engines lose efficiency because they do not completely expand high-pressure gasses, and simply throttle the waste gasses to the atmosphere.

SUMMARY OF THE INVENTION

Therefore, a need has arisen for a device that meets the above-mentioned and other characteristics for both mobile and stationary engines.

A need has also arisen for a device that overcomes these and other deficiencies.

An engine is disclosed. According to one embodiment of the present invention, the engine comprises a compressor, and combustor, and an expander. The compressor compresses ambient air. The combustor burns the compressed air, and produces exhaust gasses. The expander receives the exhaust gases from the combustor, and expands the exhaust gasses. The compressor may be a gerotor compressor or a piston compressor having variable-dead-volume control. The expander may be a gerotor expander or a piston expander having variable-deadvolume control.

In another embodiment, an engine comprises a piston compressor, a combustor, a piston expander, and a pressure tank. The piston compressor compresses ambient air. The combustor burns the compressed air, and produces exhaust gasses. The piston expander receives the exhaust gasses from the combustor, and expands the exhaust gasses. The pressure tank receives and stores the compressed air from the compressor.

In another embodiment, a gerotor compressor comprises an inner gerotor, and an outer gerotor. The inner gerotor and the outer gerotor are driven so that they do not touch. The gerotors may be cantilevered or non-cantilevered.

In another embodiment, a gerotor expander comprises an inner gerotor, and an outer gerotor. The inner gerotor and the

outer gerotor are driven so that they do not touch. The gerotors may be cantilevered or non-cantilevered.

The engine of the present invention has many potential mobile power applications, including use in locomotives, the marine industry, tractor/trailers, busses, and automobiles. The engine of the present invention also has many potential stationary power applications, including, inter alia, electricity generator, and motive power for industrial equipment.

A technical advantage of the present invention is that the compressor and expander have rotary motion, which avoids the cost, complexity, weight, and size associated with transforming the linear motion of conventional pistons/cylinders into rotary motion.

Another technical advantage of the present invention is that the compressor and expander have a high "turn-down ratio" meaning they can operate efficiently at both high and low speeds.

Yet another technical advantage of the present invention is that the compressor and the expander are positive displacement devices that allows them to operate at low speeds in low-power applications.

Another technical advantage of the present invention is that the gerotor compressor and expander are perfectly balanced which virtually eliminates vibrations.

Another technical advantage of the present invention is that the engine is very responsive and accelerates quickly, much like a Wankel engine, because of its small size and light weight.

Another technical advantage of the present invention is that the gerotor compressor is robust, allowing liquid water to be sprayed for cooling during compression.

Another technical advantage of the present invention is that, in mobile applications, the expander can be independently decoupled from the drive train, allowing regenerative braking by operating the compressor from the kinetic energy in the vehicle.

Yet another technical advantage of the present invention is that, in mobile applications, the compressor can be independently decoupled from the drive train, allowing the expander to put all of its power into accelerating the vehicle giving the vehicle a power boost during startup.

Another technical advantage of the present invention is that there is little pollution emitted because of the high efficiency of the tubular combustor.

Another technical advantage of the present invention is that the tubular combustor can burn almost any fuel.

Another technical advantage of the present invention is that an electric starter motor is not needed because stored compressed air can be used to start the engine.

Another technical advantage of the present invention is that the engine is quiet because gases exit the expander at about 1 atm. No muffler should be needed.

Another technical advantage of the present invention is that engine lubricant, such as oil, should last a long time because there is no blow-by of incompletely combusted products.

Another technical advantage of the present invention is that there are very few moving parts, which should allow the engine to be very reliable with a long life.

Another technical advantage of the present invention is that the engine is extremely efficient; it approximates the Ericsson cycle, a reversible engine that is Carnot efficient.

Other technical advantages will be apparent to persons of ordinary skill in the art in view of the following detailed description of preferred embodiments and the accompanying drawings.

BRIEF DESCRIPTION OF THE DRAWINGS

For a more complete understanding of the present invention, the needs satisfied thereby, and the features and advantages thereof, reference now is made to the following descriptions taken in connection with the accompanying drawings in which:

FIG. 1 depicts a block diagram of a quasi-isothermal Brayton cycle engine according to one embodiment of the present invention;

FIG. 2 depicts a schematic of a quasi-isothermal Brayton cycle engine implemented in a transportation system according to one embodiment of the present invention;

FIGS. 3a-l illustrate the operation of a gerotor compressor according to one embodiment of the present invention;

FIG. 4 depicts a schematic cross-section of a gerotor compressor according to one embodiment of the present invention;

FIG. 5 is a schematic of a non-cantilevered gerotor compressor according to one embodiment of the present invention.

FIGS. 6a-6g represent several sectional views of the non-cantilevered gerotor compressor of FIG. 5.

FIG. 7 is a schematic of a non-cantilevered gerotor compressor according to another embodiment of the present invention.

FIG. 8 depicts a schematic of a spinning-wheel regenerator according to one embodiment of the present invention;

FIG. 9 depicts a schematic cross-section of a ceramic tubular combustor according to one embodiment of the present invention;

FIG. 10 is a graph of measured temperature profiles along the axis of tubular combustor according to one embodiment of the present invention;

FIG. 11 is a graph of NO_x concentration vs. equivalence ratio;

FIGS. 12a and 12b shows the approximate dimensions of the compressor and expander for a 100-kW engine according to one embodiment of the present invention;

FIG. 13 shows the approximate dimensions of a heat exchanger according to one embodiment of the present invention; and

FIG. 14 shows the approximate dimensions of the compressed air tanks used for regenerative braking according to one embodiment of the present invention.

DETAILED DESCRIPTION OF PREFERRED EMBODIMENTS

Embodiments of the present invention and their technical advantages may be better understood by referring to FIGS. 1 through 14, like numerals referring to like and corresponding parts of the various drawings.

Referring to FIG. 1, a general block diagram of quasi-isothermal Brayton cycle engine 100 according to one embodiment of the present invention is disclosed. Ambient air 102 is received and compressed in compressor 106, and then countercurrently heated in regenerator 108 using the thermal energy from exhaust gasses. In combustor 112, fuel 110 is introduced into the prewarmed air and ignited. The high pressure combustion gasses flow into expander 114, where work, W_{out} is produced.

After air expands in expander 114, the hot air flows through regenerator 108, preheating the air flowing from compressor 106 to combustor 112. The air exits regenerator 108 as exhaust gas 116.

To minimize work requirements for compressor **106**, atomized liquid water **104** may be sprayed into ambient air **102**, cooling ambient air **102** during compression in compressor **106**. The outlet temperature from compressor **106** is nearly the same as the inlet temperature; thus, the compression is considered to be “quasi-isothermal.”

FIG. **2** depicts a schematic of a quasi-isothermal Brayton cycle engine implemented in a transportation system. The operation of engine **200** will be described during steady-state, braking and startup.

During steady-state operation, water mist **104** is sprayed into ambient air **102** of compressor **106**. This results in the outlet air temperature being almost the same as the inlet air temperature, making the compression “quasi-isothermal.”

To achieve the benefits of the quasi-isothermal compressor, it may be necessary for the water to be atomized. In one embodiment, the water is so finely atomized that it completely vaporizes during the few milliseconds that it stays in the compressor.

Salt-free water will be preferably injected into the compressor so that there are no salt deposits in the expander or the heat exchanger. Salt-free water is considerably cheaper than fuel, so there are economic benefits of saving fuel via water injection. There may, however, be some logistical constraints on obtaining salt-free water everywhere. In another embodiment, ordinary tap water could be used. In this embodiment, excess water is injected into the compressor. The compressor outlet would contact a demister to remove any excess water. This excess water will have a higher salt concentration than the initial water because much of the water evaporates in the compressor.

Compressor **106** compresses the ambient air to a high pressure. In one embodiment, the ambient air may be compressed to a pressure of about 10 atm. Other pressures for the compressed air may also be used.

In one embodiment, compressor **106** includes variable-dead-volume device **238**, which consists of a small piston **239** in a cylinder. The position of the piston in the cylinder is set by an actuator (not shown), such as an electric servo motor. As depicted in the figure, if piston **239** is positioned to the right, it increases dead volume **237** in chamber **109**. When main piston **107** moves upwardly, the extra dead volume prevents the pressure from going high. Conversely, when small piston **239** is positioned to the left, it decreases dead volume **237** in chamber **109**. When main piston **107** moves upward, the low dead volume allows the pressure to go high. Regulating the compression ratio in this manner allows the power output of the engine to be adjusted without introducing significant irreversibilities.

In another embodiment, compressor **106** is a gerotor compressor. Such a compressor will be described in greater detail below.

FIGS. **3a** and **3b** depict the basic elements of gerotor compressor **300a** and **300b** respectively. Referring to FIG. **3a**, gerotor compressor **300** comprises inner gerotor **302** and outer gerotor **304**. Inner gerotor **302** has one less tooth than outer gerotor **304**, resulting in a plurality of voids, such as void **306**. Outer gerotor **304** also rotates more rapidly than inner gerotor **302**.

Referring to FIG. **3b**, gerotor compressor includes valve plate **308**. Valve plate **308** has at least two openings: at least one gas inlet **312** and at least one gas outlet **310**. In FIG. **3b**, only two openings are shown; it should be understood that the shape and size of the openings may be changed to optimize the efficiency and operation of the compressor.

As gerotors **302** and **304** rotate, void **306** opens, drawing in gas, such as air, through inlet **310** of valve plate **308**. Once

void **306** has reached its full volume, valve plate **308** seals void **306**, trapping the gas. As gerotors **302** and **304** continue rotating, the volume of void **306** shrinks, compressing the trapped gas. Eventually, the compressed gas is moved to outlet **312** of valve plate **308** and is expelled. This process is continuous, and occurs in a plurality of voids formed between gerotors **302** and **304**, as depicted in FIGS. **3c–3l**.

FIG. **4** is a schematic cross-section of gerotor compressor **400**. Inner gerotor **402** is cantilevered (i.e., has a support projection extending from its base), and is supported by inner gerotor bearings **404**. Outer gerotor **406** also is cantilevered, and is supported by outer gerotor bearings **408**. The teeth of gerotors **402** and **406** have a tight clearance to prevent blow-by of gases, but they do not contact each other in order to avoid lubrication and wear problems.

Gerotors **402** and **406** are actuated by first gear **410** and second gear **412**. First gear **410** and second gear **412** preferably have the same ratio as gerotors **402** and **406**. First gear **410** and second gear **412** drive gerotors **402** and **406** such that gerotors **402** and **406** move relative to each other without contact. An advantage of this relative motion is that there is no need to lubricate gerotors **402** and **406**. Instead, gears **410** and **412** are lubricated, which is generally considered easier. This lubrication will be discussed in greater detail below.

Gas enters gerotor compressor **400** at gas inlet **422**. Compressed gas exits gerotor compressor at outlet **424**.

In one embodiment, gerotors **402** and **406** may be constructed of ceramics, and would not require cooling. A drawback to using ceramics is the high material cost. Therefore, in another embodiment, metals may be used. To prevent damage to the metal, the metal may be cooled by coolant **414**, which may be circulated. Because all the gerotors rotate, it is necessary to circulate coolant **414** through the gerotors using slip rings **416** and **420**.

In another embodiment, a hybrid system is possible, in which the core is made of cooled metal and the exterior is coated with an insulating ceramic that reduces heat losses to coolant **414**.

First gear **410** and second gear **412** may be lubricated with a suitable lubricant, such as oil. To prevent gases from entering the lubricant, face seal **418** may be employed. Face seal **418** may include a spring-loaded graphite ring, which rotates against a highly polished surface. The relative rotation between inner gerotor **402** and outer gerotor **406** is small, so face seal **418** should not experience significant wear.

If necessary, the lubricant used to lubricate first gear **410** and second gear **412** may be circulated using slip rings (not shown), which may be similar to those used for coolant **414**.

In alternative embodiments, inner gerotor **402** and outer gerotor **406** may be supported without cantilevers. Referring to FIG. **5**, a side view of non-cantilevered gerotor compressor **500** is provided. In non-cantilevered gerotor compressor inner gerotor **508** and outer gerotor **506** are supported at their ends, respectively. Therefore, there is no cantilever.

In FIG. **5**, stationary, non-rotating shafts **502** and **526** are located in the middle of gerotor compressor **500**. “Crook” **504** defines two axes; outer gerotor **506** rotates about one axis and inner gerotor **508** rotates about the other. Stationary shaft **526** is affixed to valve plate **510**, which is connected to high pressure pipe **512**. High pressure pipe **512** is affixed to housing **514**.

Rotating shaft **516** is coupled to outer gerotor **506**. Outer gear **518** is affixed to outer gerotor **506** which drives inner

gear **520**, which is coupled to inner gerotor **508**. Inner and outer gears **518** and **520** allow inner and outer gerotors **506** and **508** to rotate without touching, thus eliminating the need for lubricant on the gerotor surfaces. Gears **518** and **520** may be lubricated by oil. Face seal **522** rides on a smooth circular face recessed into the surface of inner gerotor **508**. Rotary seal **524** seals against center shaft **526**.

Low pressure gas enters through inlet hole **511** (See FIGS. **6c** and **6d**) in valve plate **510**. The low pressure gas compresses in the gerotors, as described above, and is exhausted as high-pressure gas through exhaust port **590**.

Slip ring **528** provides lubricating oil and cooling water, which may be distributed to inner and outer gerotors **506** and **508** through interior channels (not shown) in outer gerotor **506**, shafts **502** and **526**, and crook **504**. Slip rings **530** allow fluids to be distributed to inner gerotor **508**.

Several sectional views of non-cantilevered gerotor compressor **500** are shown in FIGS. **6a-6g**.

In an alternate embodiment, shown in FIG. **7**, the housing has been eliminated. In this embodiment, outer gerotor **702** is stationary, and inner gerotor **704** rotates as driven by rotating vane plate **706**. As inner gerotor **704** rotates, gears **708** and **710** cause it to spin in orbital motion.

One of ordinary skill in the art will recognize that, although the embodiments of the gerotor compressor and non-cantilevered gerotor compressor are described above as compressors, they function equally as well as expanders. When used as expanders, their operation reversed. For example, in an expander, the gerotors rotate in the opposite direction, and gas enters the expander at a high pressure, performs work (i.e., expands), and is exhausted as low pressure gas.

Referring again to FIG. **2**, compressor **106** may be driven by a drive means, such as belt **204**, through compressor clutch **202** in a manner that is known in the art.

The compressed air from compressor **106** flows through heat exchanger, or regenerator, **108**, where it is pre-heated. In one embodiment, the compressed air is heated to a nominal temperature of about 1039 K.

To save weight and reduce costs, heat exchanger **108** may be sized to handle the heat duty associated with constant-speed highway travel (normally about 15 hp output power for an automobile). Compressor **106** and expander **114** have the capacity to operate at much higher power outputs (e.g., about 150 hp) for acceleration purposes. The engine, as a whole, is less efficient during these power bursts, but because the power bursts are usually only a small portion of the operating cycle, their effect on the overall efficiency of the system should be minimal.

In one embodiment, heat exchanger **108** may be a counter-current heat exchanger. In another embodiment, heat exchanger **108** may be a spinning-wheel regenerator, an example of which is shown in FIG. **8**. Spinning wheel **800** may have a porous mesh of metal or ceramic, or similar material **805** through which gasses flow. Stationary divider **810** allows hot gas **815** to be separated from cold gas **820**. As hot gas **815** flows through porous mesh **805**, it heats mesh **805**. As spinning wheel **800** rotates, mesh **805**, which is heated, contacts cold gas **820**, causing cold gas **820** to become hot. As spinning wheel **800** continues to spin, mesh **805**, now cooled, again comes in contact with hot gas **815** where it is again heated.

The preheated, compressed air leaves heat exchanger **108** and, when inlet valve **232** is open, flows to combustor **112**, where fuel **110** is added and the air/fuel mixture is ignited by igniter **218**.

In one embodiment, combustor **112** may be a tubular combustor. The general concept of the tubular combustor, which is known to those of ordinary skill in the art, was developed by Professor Stuart Churchill of the University of Pennsylvania. Referring to FIG. **9**, a schematic cross-section of tubular combustor **900** according to one embodiment of the present invention is provided. Tubular combustor **900** includes combustor wall **910**. In one embodiment, combustor wall may be ceramic, which allows the temperature in the tubular combustor **900** to reach about 2200 K, which ensures complete combustion of the air/fuel mixture. Other suitable materials, such as high-temperature metal, may also be used.

In operation, air/fuel mixture **912** enters combustor **900** at inlet **902** and is heated by combustor wall **910** by radiation and convection. Once the gas reaches the ignition temperature, flame front **908** is initiated. During start up, flame front **908** may be initiated by an igniter, such as a spark plug (not shown). When tubular combustor **900** is made of ceramic, flame front **908** is so hot that all the fuel is completely ignited; there are no unburned hydrocarbons exiting ceramic tubular combustor **900**. The combusted air/fuel mixture exits combustor **900** as exhaust gasses **914** from outlet **904**.

FIG. **10** shows measured temperature profiles along the axis of tubular combustor **900**. There are seven possible steady-state temperature profiles. Through Stuart Churchill's research, all seven were predicted by computer simulations and later, all seven were determined experimentally.

The high temperatures in the tubular combustor causes carbon monoxide to be formed initially. Because there is an abundance of excess air, however, as the gases cool, carbon dioxide is formed. Therefore, it is possible to operate the engine of the present invention with a carbon monoxide concentration of about 0.5 ppm.

Tubular combustors have several advantages over conventional burners. For instance, conventional burners use intentional backmixing to preheat the air/fuel mixture to its ignition temperature. Unfortunately, backmixing promotes NO_x formation because it increases the residence time of the gas. In contrast, a tubular combustor has no backmixing; the gas flows through the tubular combustor in a plug-flow manner. The residence time is so short (about 7 ms), that it is possible to operate the tubular combustor with very low NO_x formation.

FIG. **11** shows that at equivalence ratios below 0.6, the NO_x concentration is only about 2 ppm. The equivalence ratio, Φ , is defined as the actual fuel added compared to the required stoichiometric fuel addition. Using room-temperature air as the feed, at an equivalence ratio of 0.6, the temperature exiting the tubular combustor is approximately 1300 K.

At higher equivalence ratios, the combustion temperature rises, which increases the engine efficiency. This, however, also increases NO_x production. Thus, in another embodiment, a catalytic converter is used to reduce the amount of NO_x . Possible reductants include, inter alia, ammonia, urea, and fuel. Typical consumption of liquid ammonia may be about 2 mL/h during highway driving.

The tubular combustor was designed primarily for stationary power production under the assumption that it would not experience many start/stop cycles. Prior to startup, the ceramic is cold; it must be heated prior to use. Therefore, in one embodiment, the ceramic may be wrapped with a resistance heater (not shown) to preheat the ceramic before fuel is introduced. Other suitable preheating devices and techniques may also be used.

In another embodiment, the tubular combustor may be placed inside a cylinder, such that there is an annular space between the tubular combustor and the cylinder. The annular space may be filled with an absorbent material. In one embodiment, the absorbent material may absorb hydrogen, and, in the process, give off heat. This serves to preheat the tubular combustor.

In another embodiment, the annular space a vacuum, and may be filled with very thin (about $\frac{1}{1000}$ of an inch) plates of nickel in multiple layers. In one embodiment, 100 layers are used. The highly-polished multiple layers of nickel is a poor conductor, and will maintain heat from operation for a significant time. Therefore, if the engine is run frequently (e.g., daily), the tubular combustor should maintain some heat from that operation.

Referring again to FIG. 2, igniter 218 may be a conventional spark plug. In another embodiment, igniter 218 is a "rail gun" spark plug. This rail gun spark plug sends a "lightning bolt" down the center of combustor 112 to ignite the air/fuel mixture during startup.

The amount, timing, and duration of firing that igniter 218 provides may vary. In one embodiment, igniter 218 need only be fired one time to initiate the flame front. Once the air/fuel mixture is initially ignited, the added air/fuel mixture sustains the flame front, eliminating the need for additional firings from igniter 218. In another embodiment, in order to increase the turn-down ratio of the combustor, which is defined as the maximum combustion rate divided by the minimum combustion rate, igniter 218 continues to fire after the initial startup. In the case of the piston expander, the timing may coincide with the periodic expansions of the pistons. In the case of the gerotor expander, the firing may be continuous.

After combustion, the high-pressure, hot gas flows through expander 114 which produces shaft power. Expander 114 may comprise sleeve 220 and cap 222, which will be discussed in greater detail below.

At the beginning of expansion, the pressure is constant (e.g., about 10 atm) because inlet valve 232 is open. When inlet valve 232 closes, the expansion continues adiabatically, thus cooling the gas as work is produced. In one embodiment, ceramic sleeve 220 and ceramic cap 222 may be used to insulate the gasses from wall 236, which is cooled. Ceramic cap 222 has no sliding contact with wall 236 so lubrication need not be provided. It is also not necessary to account for the thermal expansion of cap 222 and wall 236. Ceramic sleeve 220 need not be bonded to wall 236, allowing small gap to be placed between sleeve 220 and wall 236, thus allowing for different thermal expansion of the ceramic and wall material. Because gasses freely flow between ceramic sleeve 220 and wall 236, the ceramic sleeve does not need to withstand a pressure difference across its wall.

In another embodiment, expander 114 may include variable-dead-volume device 240. Variable-dead-volume device 240 functions similar to variable-dead-volume device 238, described in conjunction with compressor 106, above.

In another embodiment, expander 114 may be a gerotor expander. The gerotor expander works exactly like the gerotor compressor, describe above, except that it operates in reverse. For instance, the high-pressure gas enters through small port 312 in FIG. 3b and exits through large port 310. As the expander heats, dimensions of its components will grow. This can be minimized by cooling the components. To minimize heat losses to coolant, the gerotors could be coated with an insulating ceramic.

In another embodiment of expander 114, shown in FIG. 2, ceramic sleeve 220 and ceramic cap 222 may be eliminated in favor of a traditional metal piston and cylinder, but there will be greater heat loss to the walls. In another embodiment, a ceramic piston and cylinder may be used in place of metal.

Other suitable expander designs, such as a Wankel expander, may also be used.

As shown in FIG. 2, expander 114 drives expander clutch 208, which drives transmission 216 and drive shaft 206, eventually connects to a driving means, such as wheels, for moving a vehicle. In addition, power to operate compressor 106 is provided through belt 204, or other suitable drive mechanism.

When expansion is complete, exhaust valve 234 is opened, allowing the gasses to exit expander 114. The gases exiting expander 114 are hot, and flow through heat exchanger 108, where they preheat incoming gas, and are finally discharged to the atmosphere as exhaust gasses 116.

The engine torque can be regulated in several ways, including throttling and variable compression ratio. The throttling approach is similar to the manner in which Otto cycle engines are controlled. The engine has a fixed compression ratio, but because the air inlet is choked, the compressor inlet is at a vacuum. Because the compressor starts from a vacuum, the maximum pressure achieved by the compressor is less, which reduces the torque output of the engine. Because of the irreversibilities associated with the throttle, this approach does not favor energy efficiency; however, it is very simple to implement.

In one embodiment, the amount of fuel added per stroke may be varied. More fuel raises the temperature, which increases the pressure, which increases the work per stroke. The disadvantage to this approach is that operating under low torque means the engine temperature is lower, which reduces efficiency.

The variable-compression-ratio approach changes the compression ratio of both the compressor and expander. In the case of the gerotor compressor/expander, variable compressor may be achieved by varying the shape of the openings on the valve plates. A low compression ratio is achieved by enlarging discharge port of the gerotor compressor and the inlet port of the gerotor expander. Conversely, a high compression ratio may be achieved by shrinking discharge port of the gerotor compressor and inlet port of the gerotor expander. Mechanisms for accomplishing this are described in U.S. patent appl'n. Ser. No. 09/126,325 by Holtzapple et al., entitled "Vapor-Compression Evaporative Air Conditioning System and Components," filed Jul. 31, 1998, the disclosure of which is incorporated by reference in its entirety.

At lower compression ratios, the engine produces less torque and at higher compression ratios, the engine produces more torque. Unlike conventional Brayton cycles, the energy efficiency of the quasi-isothermal Brayton cycle engine does not depend on the compression ratio, so this is a very efficient way to vary the torque output of the engine.

In the case of the piston compressor/expander, a variable compression ratio may be achieved using variable-dead-volume devices 238 and 240 in both compressor 106 and expander 114. Increasing the dead volume of compressor 106 decreases the output pressure, which reduces engine torque. Conversely, decreasing the dead volume of compressor 106 increases the output pressure, which raises engine torque. When the pressure of compressor 106 is low, expander 114 needs a lower expansion ratio, so more dead volume is employed. When the pressure of compressor 106

is high, expander 114 needs a higher expansion ratio, so less dead volume is used.

The system of the present invention may employ regenerative braking. Referring to FIG. 2, one embodiment uses valves 210, 211, and 212, pressure tank 214, and clutches 208 and 202, which may be any suitable clutch known in the art. Pressure tank 214 may have many potential shapes, such as spherical and cylindrical shapes. It may be composed of metal or composite materials, such as graphite fiber embedded in polymer. It may have any suitable size.

During steady-state operation, valve 212 is closed and valves 210 and 211 are open, allowing compressed air to go directly from compressor 106 to combustor 112. During braking, expander clutch 208 is disengaged, but compressor clutch 202 remains engaged. Valve 211 is closed while valves 210 and 212 remain open, allowing air discharged from compressor 106 to be stored in pressure tank 214. During normal braking, the kinetic energy of the vehicle is stored as compressed air in pressure tank 214 which may be recovered for later use. In the case of rapid stops, friction brakes (not shown), which are known in the art, may be applied, dissipating the vehicle's kinetic energy as heat.

When the vehicle starts up from a stop, compressor clutch 202 is disengaged, and expander clutch 208 is engaged. Valve 210 is closed, while valves 211 and 212 remain open. High-pressure air stored in pressure tank 214 flows through countercurrent heat exchanger 108 where it is preheated, enters combustor 112, flows through expander 114, and exits through countercurrent heat exchanger 108. During startup, the energy stored as compressed gas is released, allowing the vehicle to accelerate. Because the compressor load is removed during startup, all the shaft power from expander 114 can be delivered to the driveshaft. This may give a significant (e.g., about 30%) power boost.

High-pressure air is stored in pressure tank 214, so it may not be necessary to use external power to start the engine. During start-up, both compressor clutch 202 and expander clutch 208 are disengaged. Valves 211 and 212 are open, and valve 210 is closed. Once combustor 112 is hot, and expander 114 is at speed, the valves and clutches would be set for steady-state operation.

In another embodiment, pressure tank 214 is not provided, and an external power source is used to start the engine.

The engine of the present invention has many potential applications. For example, the engine of the present invention may be used in locomotives. Because of the large energy consumption of locomotives, all energy-efficient features (regenerative braking, countercurrent heat exchanger, water injection, variable-compression-ratio control) are justified. The compressed air tank may be a high-pressure tank car located closely behind the locomotive. Economic studies show that a train that makes more than five stops per day can justify the expense of such an air tank.

In the marine industry, boats and ships do not need regenerative braking. Other energy-efficient features (countercurrent heat exchanger, water injection, variable-compression-ratio control), however, can be justified.

The engine may be used with tractor/trailers. Because of the large energy consumption of tractor/trailers, all energy-efficient features (regenerative braking, countercurrent heat exchange, water injection, variable-compression-ratio control) can be justified. The compressed air tank could be located underneath the trailer.

The engine could be used with busses. Because of the large energy consumption of buses, all energy-efficient fea-

tures (regenerative braking, countercurrent heat exchanger, water injection, variable-compression-ratio control) can be justified. The compressed air tank can be located underneath the bus. Because of their frequent stops, fiction-brake maintenance is one of the largest expenses for city buses; the regenerative braking system would drastically reduce this expense.

In automobiles, space is at a premium and safety is a great concern. Some automobile designers might be reluctant to put high-pressure air tanks in the vehicle, so regenerative braking might not be incorporated into automobiles. However, other energy efficiency features (countercurrent heat exchanger, water injection) could be used without much penalty. For simplicity, engine control may be achieved using throttling rather than variable compression ratio.

The quasi-isothermal Brayton cycle engine may also be used for stationary power applications, such as electricity generation, or operating industrial machinery, such as pumps, compressors, blowers, etc. In this case, all energy-efficient features other than regenerative braking, such as countercurrent heat exchanger, water injection, variable-compression-ratio control, may be used.

EXAMPLE

In order to facilitate a more complete understanding of the invention, an Example is provided below. However, the scope of the invention is not limited to specific embodiments disclosed in this Example, which is for purposes of illustration only.

Energy Efficiency

Table 1, below, summarizes the results of an efficiency analysis of an embodiment of the engine of the present invention. Three countercurrent heat exchangers were considered: stainless steel, high alloy and ceramic. Two approach temperatures were considered (50 and 100 K), both of which are easily achieved. Also, two compressor/expander efficiencies were considered: 0.7 and 0.8. (Note: compressor efficiency is calculated as the theoretical reversible power required assuming perfect water vaporization divided by the actual power required. Expander efficiency is calculated as the actual power production divided by the theoretical reversible power produced by an adiabatic expander). Depending upon the assumptions, the engine efficiencies range from 0.44 to 0.64.

TABLE 1

Engine efficiency as a function of combustor temperature, heat exchanger approach temperature, and compressor/expander efficiency.					
Heat Exchanger	Discharge Temp from Tubular Combustor (K)	Approach (K)	Compressor or Expander Efficiency	Cycle Efficiency	Approximate NO _x (ppm)
Stainless Steel (900 K*)	1,502	100	0.7	0.440	25
			0.8	0.549	
		50	0.7	0.470	
High Alloy (1050 K*)	1,752	100	0.8	0.584	50
			0.7	0.481	
		50	0.8	0.604	
			0.7	0.509	
			0.8	0.587	

TABLE 1-continued

Engine efficiency as a function of combustor temperature, heat exchanger approach temperature, and compressor/expander efficiency.					
Heat Exchanger	Discharge Temp from Tubular Combustor (K)	Approach (K)	Compressor or Expander Efficiency	Cycle Efficiency	Approximate NO _x (ppm)
Ceramic (1200 K*)	2,002	100	0.7	0.506	>100
			0.8	0.619	
	50	0.7	0.532		
		0.8	0.635		

*Peak temperature in heat exchanger

Dimensions

FIGS. 12a and 12b show the approximate dimensions of the gerotor compressor and expander, respectively, for a 100-kW engine at two rotational speeds: 3000 rpm and 10,000 rpm, according to embodiments of the present invention. It should be noted that, at both speeds, the dimensions are very compact.

FIG. 13 shows the approximate dimensions of the counter-current heat exchanger according to one embodiment of the present invention. In one case, the heat exchanger is sized to transfer the heat for the engine operating a full load (100 kW). Here, it is assumed the engine will be controlled using the variable-compression-ratio approach. With this control strategy, at a given rotational rate, the air flow through the engine is the same regardless of the torque output; so, the heat exchanger must be sized for the maximum power output. In another case, the engine would be throttled to reduce engine power. This reduces the mass flow through the engine which reduces the amount of counter-current heat transfer. FIG. 13 shows the dimensions corresponding to the throttled mass flow required to produce 10 kW of power.

FIG. 14 shows the approximate dimensions of the compressed air tanks used for regenerative braking according to one embodiment of the present invention. These dimensions are for a vehicle mass of 3000 lb. (1364 kg). Two regenerative braking options are shown: 45 to 0 mph and 60 to 0 mph. Because high-speed braking is less common, the lower speed should be sufficient. In one concept, the air tanks are joined like a raft which would be located under the car. Potentially, these tanks could be an integral part of the automobile structure. Alternatively, the compressed air could be stored in cylinders or spheres.

The quasi-isothermal compressor requires only 1.4% more power than a true isothermal compressor, so it closely approximates an isothermal compressor. It requires 22% less energy than an adiabatic compressor, so its energy savings are substantial. Because of the lower energy requirements of the compressor, the quasi-isothermal Brayton cycle engine uses 22% less fuel than a traditional Brayton cycle with regenerator. To achieve this energy efficiency requires about two liters of water per liter of fuel, but because the engine is about three times more efficient than Otto cycle engines, the total amount of fluids that must be carried on the vehicle is about the same as conventional vehicles currently carry.

The quasi-isothermal Brayton cycle engine offers an alternative to the other engine approaches. It promises pollution and efficiency characteristics typical of fuel cells, but because of its simplicity, the capital cost should be comparable to conventional Otto and Diesel engines.

While the invention has been described in connection with preferred embodiments and examples, it will be under-

stood by those skilled in the art that other variations and modifications of the preferred embodiments described above may be made without departing from the scope of the invention. Other embodiments will be apparent to those skilled in the art from a consideration of the specification or practice of the invention disclosed herein. It is intended that the specification is considered as exemplary only, with the true scope and spirit of the invention being indicated by the following claims.

What is claimed is:

1. A gerotor compressor comprising:

an inner gerotor;

an outer gerotor; and

a gear mechanism immersed in a lubricant, wherein said inner gerotor and said outer gerotor are driven so that said inner gerotor and said outer gerotor do not touch.

2. The gerotor compressor of claim 1, further comprising:

a gear housing for said gear mechanism; and

a seal for isolating said lubricant in said gear housing.

3. The gerotor compressor of claim 1, wherein said gerotors are cantilevered.

4. The gerotor compressor of claim 1, wherein said gerotors are non-cantilevered.

5. The gerotor of claim 4, further comprising:

a valve plate positioned adjacent to an end of to said outer gerotor; and

a stationary center shaft connected to said valve plate.

6. The gerotor of claim 1, wherein said gerotor compressor is an axial-flow gerotor compressor.

7. A gerotor expander comprising:

an inner gerotor;

an outer gerotor; and

a gear mechanism immersed in a lubricant, wherein said inner gerotor and said outer gerotor are driven so that said inner gerotor and said outer gerotor do not touch.

8. The gerotor expander of claim 7, further comprising:

a gear housing for said gear mechanism; and

a seal for isolating said lubricant in said gear housing.

9. The gerotor expander of claim 7, wherein said gerotors are cantilevered.

10. The gerotor expander of claim 7, wherein said gerotors are non-cantilevered.

11. The gerotor of claim 10, further comprising:

a valve plate positioned adjacent to an end of to said outer gerotor; and

a stationary center shaft connected to said valve plate.

12. The gerotor of claim 7, wherein said gerotor expander is an axial-flow gerotor expander.

13. A gerotor compressor comprising:

an inner gerotor;

an outer gerotor; and

a gear mechanism immersed in a lubricant, wherein said inner gerotor and said outer gerotor are independently driven from one another.

14. The gerotor of claim 13, wherein said inner gerotor and said outer gerotor do not touch.

15. The gerotor of claim 13, wherein said gerotor compressor is an axial-flow gerotor compressor.

16. The gerotor of claim 13, further comprising:

a valve plate positioned adjacent to an end of to said outer gerotor; and

15

a stationary center shaft connected to said valve plate, wherein said gerotors are non-cantilevered.

17. A gerotor expander comprising:

an inner gerotor;

an outer gerotor; and

a gear mechanism immersed in a lubricant, wherein said inner gerotor and said outer gerotor are independently driven from one another.

18. The gerotor of claim **17**, wherein said inner gerotor and said outer gerotor do not touch.

16

19. The gerotor of claim **17**, wherein said gerotor expander is an axial-flow gerotor expander.

20. The gerotor of claim **17**, further comprising:

5 a valve plate positioned adjacent to an end of to said outer gerotor; and

a stationary center shaft connected to said valve plate, wherein said gerotors are non-cantilevered.

* * * * *